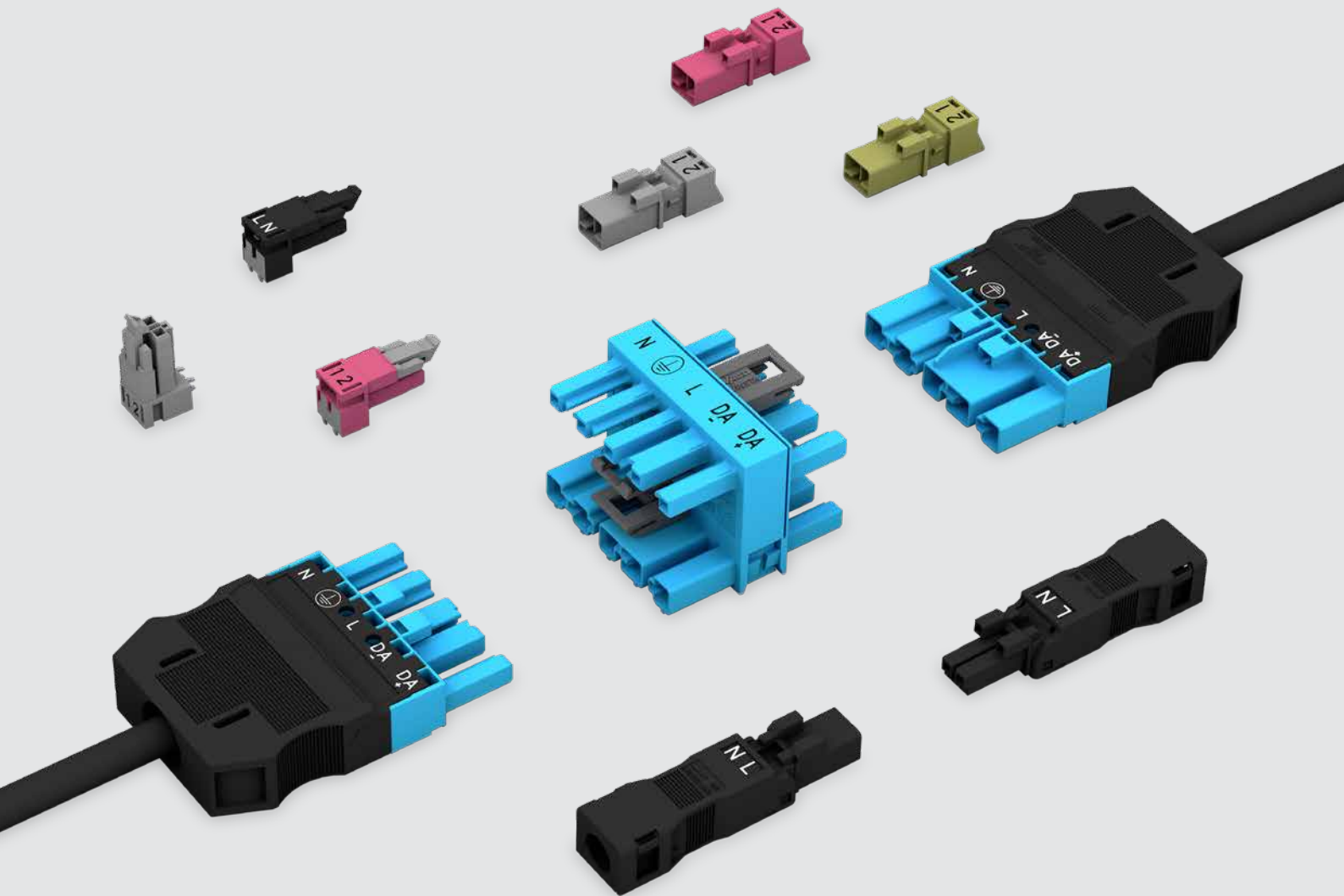




# WAGO Pluggable Connection System *WINSTA*®

Full Line Catalog, Volume 5 – Edition 2021/2022

5



# WAGO Full Line Catalogs



## Volume 1, WAGO Rail-Mount Terminal Blocks and Connectors

- Rail-Mount Terminal Blocks
- Rail-Mount Terminal Blocks with Pluggable Connector (X-COM®-SYSTEM)
- Patchboard Systems
- Terminal Strips
- PUSH WIRE® Connectors for Junction Boxes
- Lighting Connectors
- Shield Connecting System



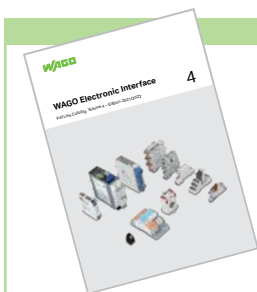
## Volume 2, WAGO PCB Terminal Blocks and Connectors

- PCB Terminal Blocks
- THR/SMD PCB Terminal Blocks
- *MULTI CONNECTION SYSTEM (MCS)*
- Pluggable PCB Terminal Blocks
- Feedthrough Terminal Blocks
- Specialty Connectors
- Empty Housings



## Volume 3, Automation Technology

- Solutions & Software
- Operating & Monitoring
- Controllers, Edge Devices
- Modular I/O-SYSTEM IP20, I/O-SYSTEM IP67
- Industrial Switches
- Radio Technology
- IP67 Sensor/Actuator Boxes, IP67 Cables and Connectors



## Volume 4, WAGO Interface Electronic

- Relay and Optocoupler Modules
- Signal Conditioners and Isolation Amplifiers
- Current and Energy Measurement Technology
- Power Supplies
- Interface Modules and System Wiring
- Overvoltage Protection
- Empty Housings



## Volume 5, WAGO Pluggable Connection System WINSTA®

- Pluggable Connectors
- Snap-In Device Connectors
- Pluggable PCB Connectors
- Distribution Connectors
- Cable Assemblies
- Flat Cable Systems
- Distribution Boxes







## Volume 6, WAGO Marking

- Printer
- Software
- Terminal Block Marking
- Cable and Conductor Marking
- Device Marking
- Marker Carriers



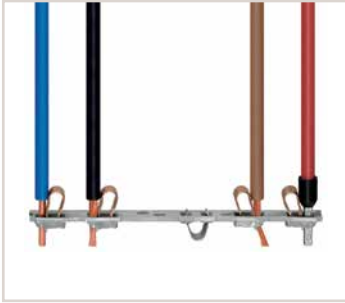
## Volume 5, WAGO Pluggable Connection System WINSTA®

			Page
	<b>WAGO Pluggable Connection System WINSTA® MINI</b> 890/891 Series; 2- to 5-Pole Pluggable connectors, snap-in device connectors, pluggable PCB connectors, distribution connectors, cable assemblies	1.5 mm <sup>2</sup> ; 16 A	25
	<b>WAGO Pluggable Connection System WINSTA® MIDI</b> 770/771 Series; 2- to 7-Pole Linect® T-connectors, pluggable connectors, snap-in device connectors, pluggable PCB connectors, distribution connectors, cable assemblies	4 mm <sup>2</sup> ; 25 A	121
	<b>WAGO Pluggable Connection System WINSTA® MAXI</b> 831 Series; 5-Pole Pluggable connectors	6 mm <sup>2</sup> ; 35 A	281
	<b>WAGO Pluggable Connection System WINSTA® RD</b> 774 Series; 3- and 4-Pole Cable assemblies	2.5 mm <sup>2</sup> ; 20 A	287
	<b>WAGO Pluggable Connection System WINSTA® KNX</b> 893/894 Series; 2-Pole Pluggable connectors, snap-in device connectors, distribution connectors, cable assemblies	0.8 mm Ø; 3 A	303
	<b>WAGO Pluggable Connection System WINSTA® IDC</b> 772/893/895/896/897 Series Supply and tap-off modules, flat cables	16 mm <sup>2</sup> ; 76 A	317
	<b>WAGO Pluggable Connection System WINSTA® Boxes</b> 899 Series Distribution boxes		345
	<b>WAGO Accessories and WAGO Tools</b>		373
	<b>Technical Section</b>		407
	<b>Indexes and Addresses</b>		423

## Operating WAGO Connection Technologies

Please follow the applicable product-specific termination instructions.

### PUSH-IN CAGE CLAMP®



Push-in CAGE CLAMP® terminates the following copper conductors:

solid



stranded



fine-stranded, also with tinned single strands



fine-stranded, tip-bonded



fine-stranded, with ferrule (gastight crimped)



fine-stranded, with pin terminal (gastight crimped)

The universal connection with an additional advantage:

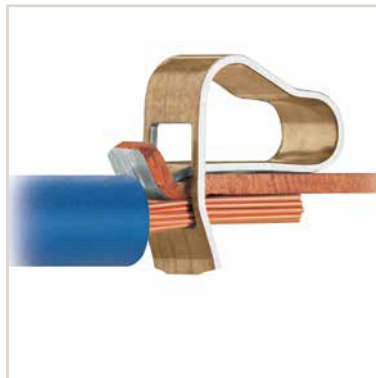
#### Push-in termination

Terminate solid and stranded, as well as ferruled conductors, by simply pushing them in – no tools required.

Termination for all conductor types:

- Open clamping unit
- Insert the conductor
- Release clamp – done!

### CAGE CLAMP®



CAGE CLAMP® terminates the following copper conductors:

solid



stranded



fine-stranded, also with tinned single strands



fine-stranded, tip-bonded



fine-stranded, with ferrule (gastight crimped)



fine-stranded, with pin terminal (gastight crimped)

The universal connection for solid, stranded and fine-stranded conductors

Termination:

- Open clamping unit
- Insert the conductor
- Release clamp – done!

## Operating WAGO Connection Technologies

Please follow the applicable product-specific termination instructions.

### POWER CAGE CLAMP®



POWER CAGE CLAMP terminates the following copper conductors:

solid



stranded



fine-stranded, also with tinned single strands



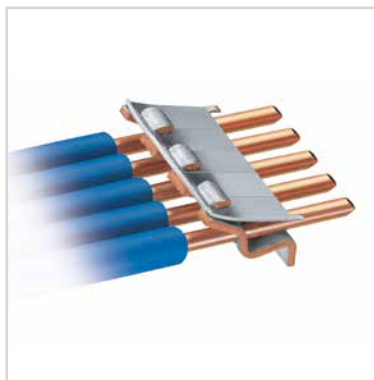
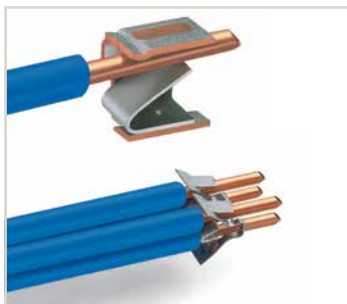
fine-stranded, with ferrule (gastight crimped)

The universal connection for conductors larger than 35 mm<sup>2</sup> (2 AWG)

Termination:

- Open clamp by turning a T-wrench counter-clockwise
- Press the integrated latch to open clamping unit for hands-free wiring
- Insert the conductor
- A small counter-clockwise rotation closes the clamp, securing conductor

### PUSH WIRE®



PUSH WIRE® terminates the following copper conductors:

solid

PUSH WIRE® connection for solid and stranded conductors (depending on the model used)

Termination:

Tool-free, twist-free terminations for solid and rigid stranded conductors – simply push into the unit

## WINSTA® – A Complete Series Perfects the System

### The WINSTA® Pluggable Connection System

is the electrical interface that links power supply and distribution to electrical loads (e.g., lights) and encompasses data processing (bus lines in building automation).

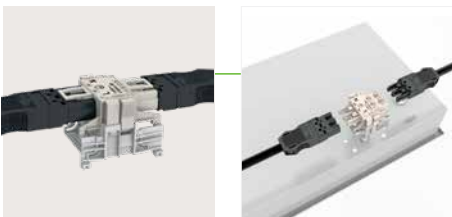
#### WINSTA® MINI



#### WINSTA® MIDI



#### WINSTA® MIDI Linect®



#### WINSTA® MAXI





WINSTA® RD



WINSTA® KNX



WINSTA® IDC



### Comprehensive WAGO Project Support:

WAGO offers consulting and project planning services to help devise the best possible solution for your project. Our experienced team of professionals will gladly help you implement your project with our products.

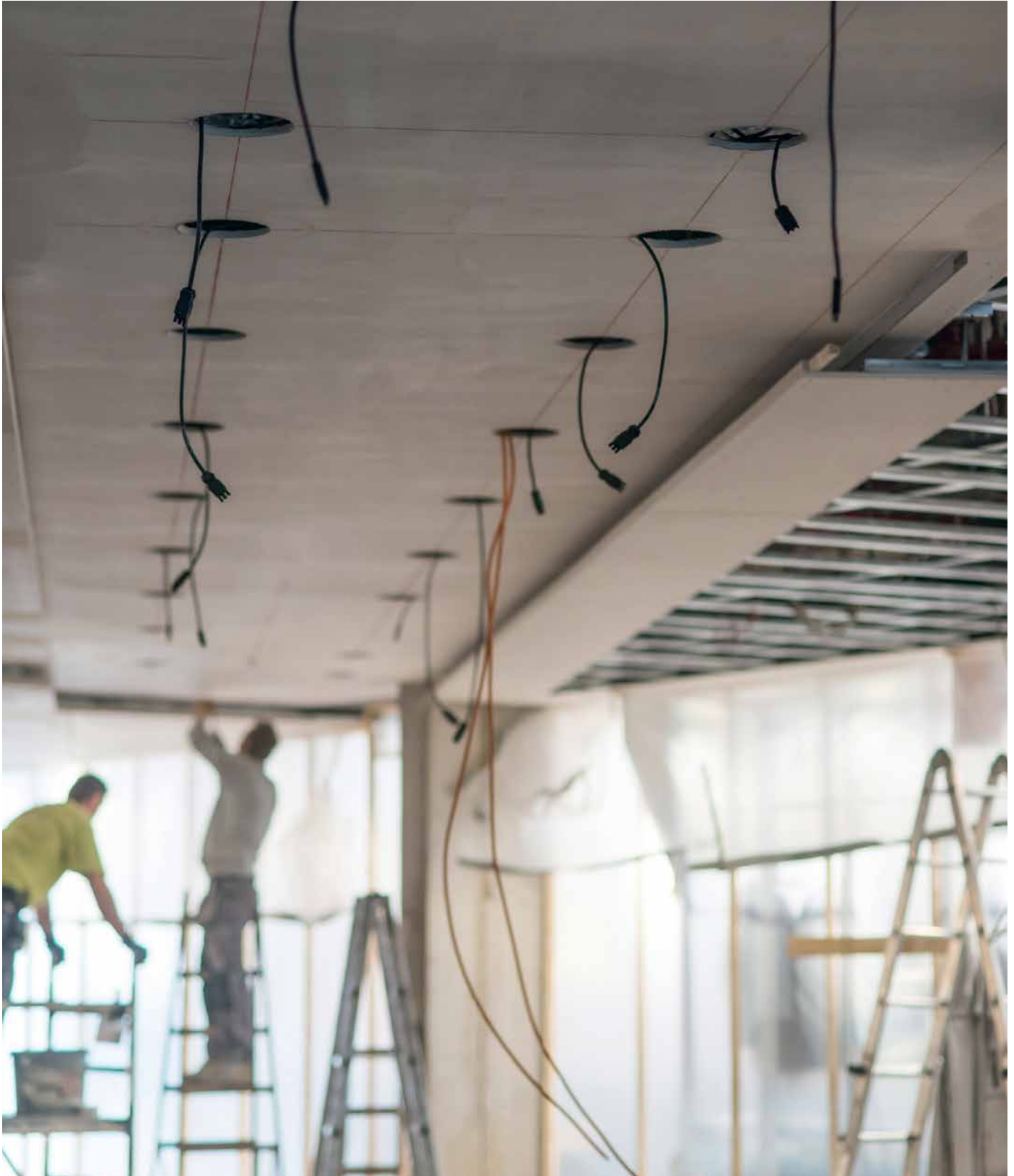
[www.wago.com/winsta](http://www.wago.com/winsta)



## WINSTA® – The Pluggable Connection System

### Plug into Power!

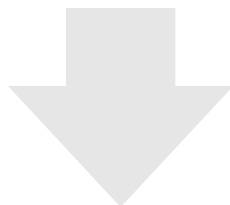
Even though the life cycle of a building stresses longevity, construction times are ever shorter and, particularly for functional buildings, operations are often subjected to continual reconstruction and relocation. Conditions within the construction industry show similar dynamic change: Overall construction volume is rising, so the order books are nicely filled. Yet at the same time, that industry struggles with a shortage of qualified workers. The **WINSTA®** Pluggable Connection System is the answer because speed, flexibility and expandability are becoming increasingly more important as integral keys to the long-term viability of buildings.





## Planning

- End-to-end, application-oriented solutions from supply to load
- Integration of bus systems like DALI, SMI or KNX possible
- Decentralize energy distribution by integrating individually manufactured **WINSTA**® and system distribution boxes
- International approvals, along with our numerous successfully concluded building projects and references from the shipbuilding, transport and machinery/plant engineering areas, confirm high product quality.



## Setup/Installation

- Evident time savings for the installer on the construction site thanks to Plug & Play connections.
- Pre-assembled cables and distribution components mean distribution connectors are easily inserted, so there is no more laborious wiring in junction boxes.
- Mechanical coding and color identification enable clear assignment to the power circuit for secure protection against mismatching – especially when used with the optional individual printing.



## Utilization

- Simple, swift change for newly planned room divisions or extensions
- Numerous system partners bring future security
- Locking latches for solid, secure component connections



## Maintenance

- The **WINSTA**® Pluggable Connection System is based on maintenance-free spring pressure connection technology.
- **WINSTA**® MIDI features thoughtfully designed test ports that enable testing when plugged in.
- Color coding, e.g., for plugs or distribution connectors, enables fast power circuit identification.



## Conversion/Modernization

- The electrical installation can be flexibly reconfigured or extended, adapting readily to individual requirements.
- Energy-efficient, sustainable products for room automation, for example, can be integrated into a **WINSTA**® installation for renovations or other conversions.
- Minimized downtimes for maintenance processes (e.g., for exchanging lights).

# Perfectly Plugged Applications

## WINSTA® Building Applications

Every family within the **WINSTA®** system features an extremely broad product portfolio to meet the power supply and signal transmission requirements of modern buildings. Individual components including plugs, sockets, distribution connectors, cable assemblies and boxes with pluggable outputs provide all you need for fast and easy electrical installations.

Additionally, the **WINSTA®** MINI and MIDI families with coding B offer various mechanical and optical coding options for clearly identifying different circuits, while allowing bus signals to be distributed via pluggable connections.



### Raised-Floor Box

- IDC flat cables provide power supplies to raised-floor boxes.
- For each type of supply, a flat cable line is installed in the raised floor and fed via supply modules.
- Tap-off is performed via a cable assembly that is protected against mismatching.
- Floor boxes come with integrated snap-in connectors.

### Cable Duct

- Power supply distribution to a 230 V mains is performed using a pre-assembled **WINSTA®** Distribution Box.
- Power outputs are plugged into trunking outlets via pre-assembled interconnecting cables with integrated **WINSTA®** Plugs and Sockets.

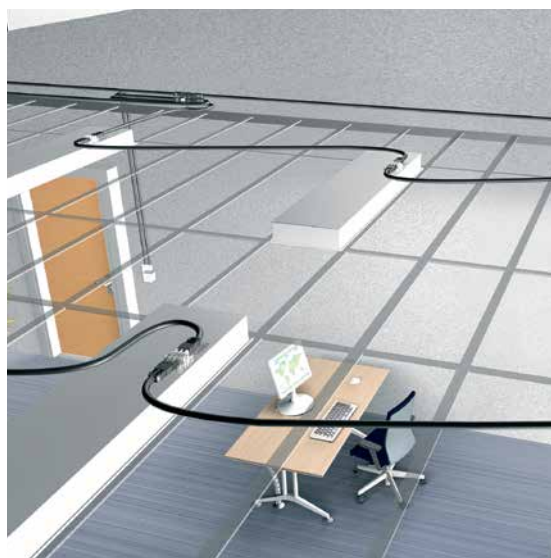


iStock.com/Johnny Greig



### Sunblind Control

- A connecting cable supplies the **WINSTA**® Distribution Box for sunblind control.
- The sunblinds can also be operated via switches, as a user may expect.
- The distribution box connectors are protected against mismatching.
- The application is pre-assembled to save installation time and expedite system expansion.



### Lighting

- The ceiling lights are connected to the distribution box via Linect® T-Connectors and **WINSTA**® Cable Assemblies.
- The circuit is flexible, quick to set up and can readily adapt to new requirements using the pluggable connection system.
- Linect® lights can be installed and removed just as quickly.

# Perfectly Plugged Applications

WINSTA® Applications in Other Industries

## Ships

Pluggable connection of smoke detectors, balcony door contacts, speakers and lights expedite electrical installation.



@gilles lougassi/Fotolia.com



@06photo/Fotolia.com

## RVs

Electric power and lighting for the interior – benefit from fast, safe and faultless installation.

## Trains

Plug & Play components support on-schedule completion and quick component replacement using pluggable outlets, displays, internal circuits, door contacts, speakers and lighting.





iStock.com/ fallbrook



iStock.com/ kirza



@Photocreo Bednarek/Fotolia.com

### Elevators

Simplified installation and maintenance thanks to pluggable connections for electric power and lighting in the compartments

### Shops and Trade Shows

Flexible installation that optimally provides electricity and lighting to temporary structures, or those that are frequently modified





@maho/Fotolia.com



### Device Connection at Home

**Ignition fans for pellet heating, connection of room control devices, electrical and lighting installation for integrated room systems**

Devices and systems in homes and other private buildings have to be started and disconnected quickly and easily. This can be done at any time via touch-proof **WINSTA®** Pluggable Connectors.

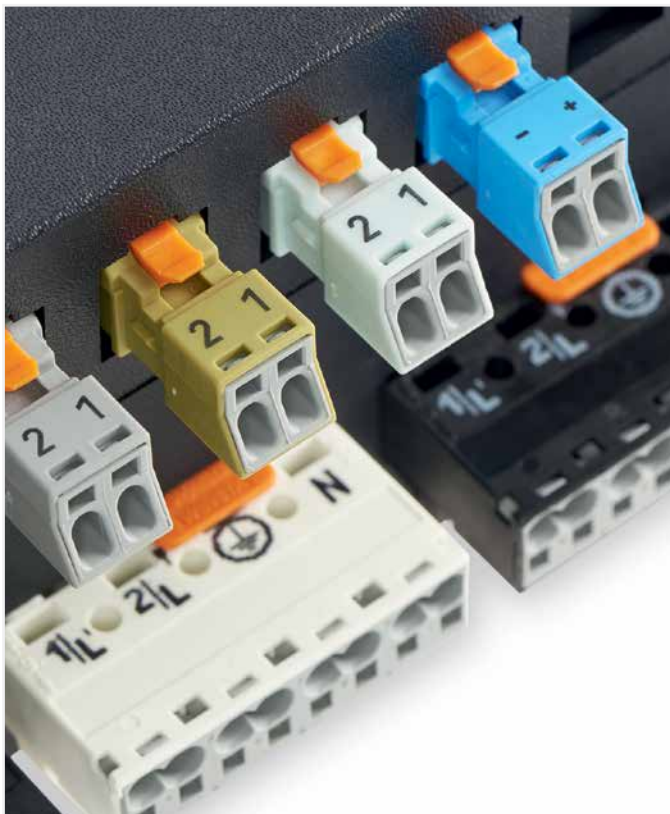


# Perfectly Plugged Applications

WINSTA® Applications in Other Industries

## Retail Centers

Within electrical and lighting installations in consumer electronics stores, home improvement centers, supermarkets and other high-traffic environments, pluggable electrical installation is the gold standard.



@Photocreo Bednarek/Fotolia.com

## Device Connection for Industrial Applications

**Control systems, single-room controllers, presence detectors, empty bottle return machines and more**

Manufacturers of industrial devices and systems are faced with a number of challenges. **WINSTA®** snap-in device connection permits fast, safe and error-free commissioning.

## Customer Applications



### Lanfer Automation

The company completely renovated its headquarters, targeting greater energy efficiency through innovative automation technology. The installation yielded additional benefits, because using the bus technology

meant no multiple lines had to be laid. As an additional benefit, **WINSTA®** simplified the connections between systems and devices



### Zinser Fashion House

The Zinser Fashion House was completely modernized in a very short time, without interrupting operations. Instead of individually wiring 2000 lights per floor, only

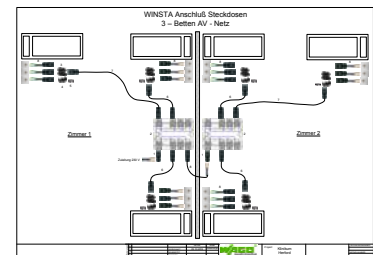
30 to 35 **WINSTA®** Boxes had to be wired in each story, leaving only the lights to be plugged in.





### Herford Hospital

The clinic decided to use **WINSTA**® for the electrical wiring of the new, one- and two-bed patient rooms. For the installation of sockets on patient beds, a concept that enabled simple pre-assembly was designed. The corridor lighting in the hospital was implemented with



the pluggable connection system, resulting in 70% less effort and 30% lower costs.



### Münster Municipal Theater

The Münster municipal theater was the first theater constructed in Germany after World War II. As part of its renovation, the illuminated seat numbering was modernized using **WINSTA**® Pluggable Connectors.



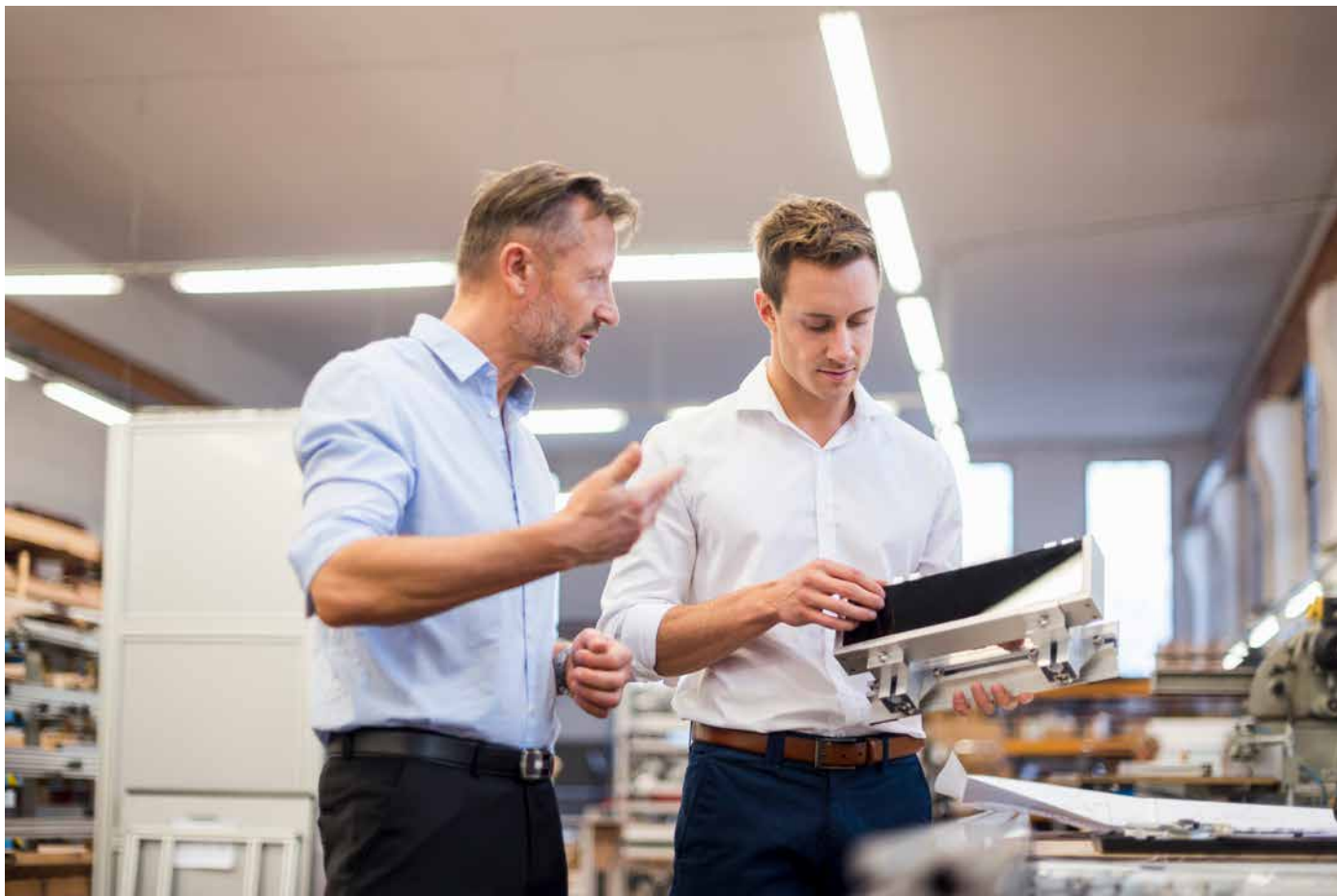
The emergency lighting was also revamped using **WINSTA**® MINI. The results simply sparkle.

## WINSTA® – System Partners

### Pluggable, End-to-End Design and Installation

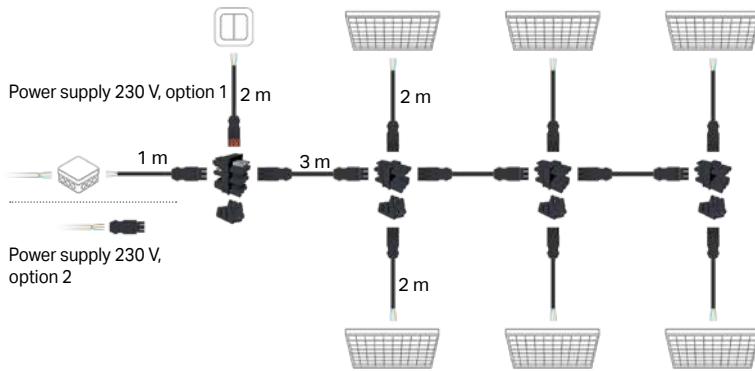
The core advantage of the **WINSTA®** Pluggable Connection System is in the time it saves. Electrical designers save time, especially when they can quickly and neatly create complete electrical plans the installers can use to build complete electrical systems on the construction site. The job is done on time and without a hitch!

With **WINSTA®** and the connected system partners, a coherent and consistent electrical design is seamlessly implemented and realized from supply to the "last mile"; that is, the interfaces to the fixed installation, such as lights or sockets.



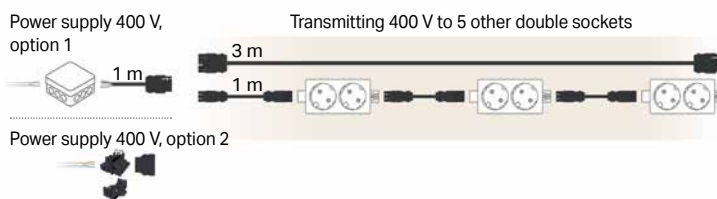
- All system partners maintain catalog articles with **WINSTA®** Pluggable Connection Technology.
- The system partner program covers all building installation interfaces, right to the end user.
- Manufacturers that carry the **WINSTA®** system partner logo equip their complementary products with the original WAGO Connection Technology and WAGO Pluggable Connectors.

Please feel free to contact us if you would like to have further information about our local **WINSTA®** system partners!



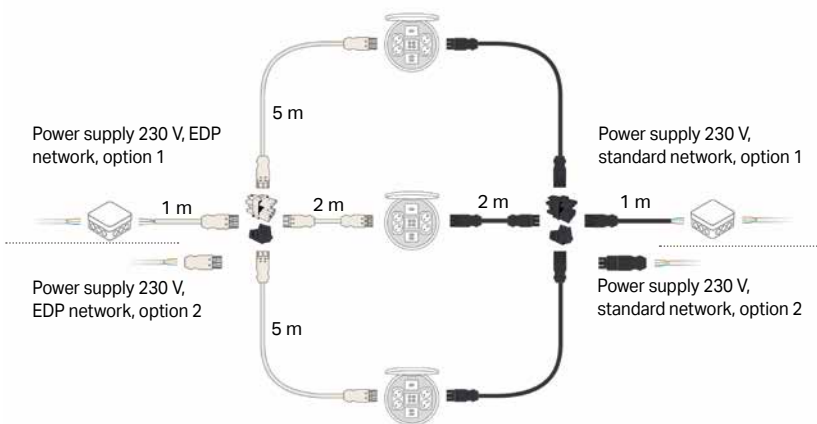
## Lighting Fixtures

- Major time savings, since the plugs are already mounted at the factory.
- Also available for LED lights



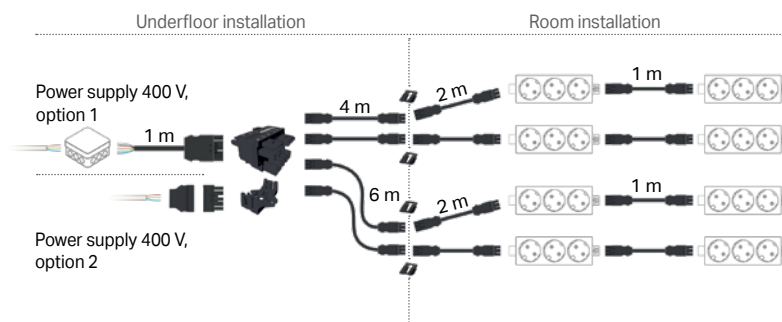
## Switches/Socket/Cable Ducts

- As one example, with **WINSTA**<sup>®</sup>, cable duct elements can be preassembled by the meter and installed on the construction site with just a few easy steps.



## Underfloor

- Our system partners' underfloor boxes are available with either a handy, short connecting cable or a snap-in plug.



## Workstation

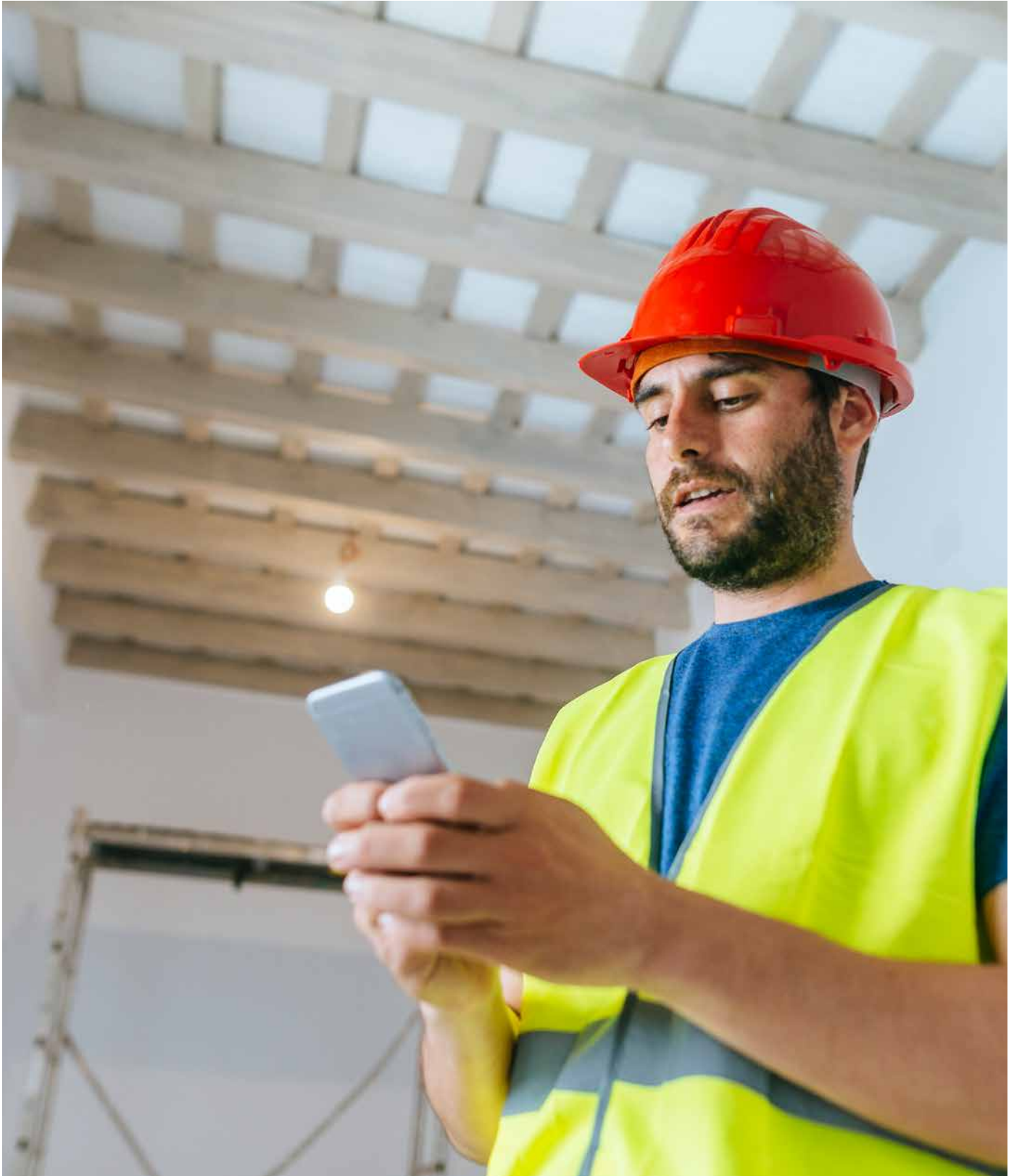
- Workplace installations must be flexible – with **WINSTA**<sup>®</sup>, the ideal connections are given.
- **WINSTA**<sup>®</sup> system partners offer a comprehensive range of functional, design-optimized complementary products.



## WINSTA® in the Context of the Construction Product Regulation (CPR)

### Background

Cables that are permanently installed in structures fall under the European CPR. They are classified into uniform fire classes according to their reaction to fire. The requirements are described in the harmonized standard hEN 50575:2014. Device connection cables that are directly connected to a load are an exception. All other cables must bear a CE conformance mark according to the CPR and a declaration of performance.





## What does this mean for the **WINSTA®** Pluggable Connection System?

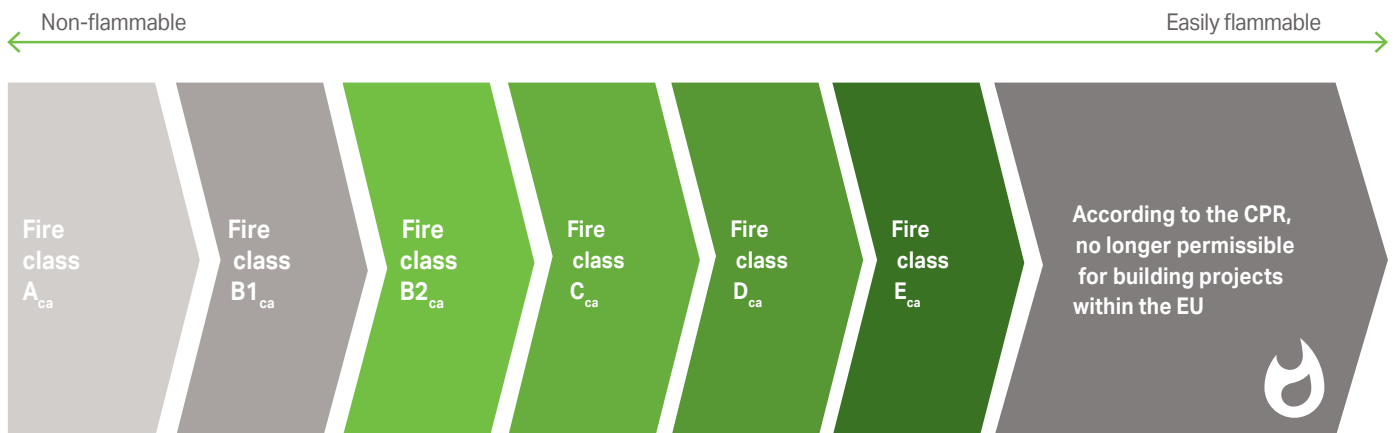
WAGO supplies cable assemblies within the **WINSTA®** product range. These cable assemblies are construction product-compliant, as they are designed according to standards for permanent installation in buildings, but are not covered by a uniform standard under the CPR. The scope of hEN 50575 only includes raw cables, not finished cables or cable assemblies. Thus, WAGO itself cannot issue any CE marking according to the CPR or declaration of performance!

## What safety does WAGO offer in the event of fire?

The numbers from various statistics clearly show that one of the most common causes of death in fires is exposure to toxic gases and smoke. To counteract this, we have offered halogen-free cable types for the **WINSTA®** System for some time.

## Always on the safe side – with **WINSTA®**!

The cables in the catalog range now already meet the requirements of the CPR and have been tested accordingly. Articles of higher fire classes ( $B2_{ca}$  and  $C_{ca}$ ) are available on our E-Shop.





## FAQ – Planning

### Which room installation applications can be realized with the **WINSTA®** plug-in convenience?

**WINSTA®** means versatility for the widest range of applications. With the diverse product types, it is possible to install the energy supply for lights with widely varying switching types through cable ducts or underfloor systems via floor boxes, as well as dimming and shade control via pluggable installation connectors. Integrating bus systems such as DALI for dimming functions or SMI to control shading is uncomplicated; the same applies to the necessary sensors.

### Is **WINSTA®** intended for applications in open or easily accessible areas?

Specialty products are available for this application (see page 230).

### How flexible is the **WINSTA®** System when it comes to design/installation changes?

In functional buildings, modules can be added to the **WINSTA®** System at any time. If the intended room use changes, the installation is adapted or retrofitted quickly and error-free. With Plug & Play connection, both pre-assembled wiring and loads can be exchanged with just a few deft moves. All **WINSTA®** products can be reused to conserve resources.

### Is the **WINSTA®** System maintenance-free?

Of course; the **WINSTA®** Pluggable Connection System is based on maintenance-free spring pressure connection technology. Many of the components feature Push-in CAGE CLAMP® for conductor terminations; thus, for example, even solid conductors can be simply pushed into unit.



## Does WAGO recommend which coding and color to use for which application?

Due to the different applications, WAGO recommends using specific mechanical codings and colors:

Application	Coding	Connector Color
General network applications	A	Black, white
EPD or UPS applications	P	Red
Controlled lighting, DALI	I	Blue
Emergency power applications	L	Dark gray
Switch function	S	Brown
Control or other mains applications	B	Gray
Controlled shading/dimming; e.g., via SMI	B	Pink
Low voltages	B	Light green

## Are distribution boxes with WINSTA® components available?

Yes. WAGO offers a variety of distribution boxes with different functions, like DALI Bus, KNX applications, sunblind control and more – completely ready for connection with WINSTA® Pluggable Connectors.

## Where can WINSTA® be installed?

Essentially, the provisions outlined in VDE 0100 must always be observed. Pluggable installation connectors like WINSTA®, approved per IEC 61535, find use in prefabricated buildings, hollow spaces such as double floors or suspended ceilings; cable carrying, routing or ducting systems; in showrooms, separation walls and all similar applications.

## FAQ – Service

### How does WAGO support me during the design of building installation and automation?

WAGO's project service offers a very high level of support to help you through even the most complex and demanding installations. You can contact the project service by email under: [info.projektplanung.de@wago.com](mailto:info.projektplanung.de@wago.com).

### Are there planning templates to get started?

WAGO has compiled planning examples for some applications; they are presented in our planning brochure with an appropriate parts list ([www.wago.com/winsta](http://www.wago.com/winsta)). With **WINSTA**<sup>®</sup>, these resources provide solid orientation that can be easily adapted to the individual project requirements – especially in the start phase.

## FAQ – Installation

### Is the **WINSTA**<sup>®</sup> Connection System truly a universal solution for building applications that allows devices with conventional field-wiring terminal blocks to be integrated into the installation?

In addition to cooperation with system partners who have access to their products via a direct **WINSTA**<sup>®</sup> interface, the **WINSTA**<sup>®</sup> System offers flexible and independent solutions such as connecting cables with open cable ends for pre-assembly on site. This means devices and loads can always be integrated into a **WINSTA**<sup>®</sup> installation.

### What key advantages does **WINSTA**<sup>®</sup> offer for wiring?

Using the **WINSTA**<sup>®</sup> Pluggable Connection System cuts on-site connection time for installers to an absolute minimum. Thus, whenever a project calls for electrical installation, the wiring is simple, fast and on time, every time. **WINSTA**<sup>®</sup> also offers a multitude of mechanical codings and colors to protect against mismatching that virtually eliminate installation errors.

### Who is permitted to install products from the **WINSTA**<sup>®</sup> Series on the construction site?

Only qualified electricians or appropriately instructed personnel may install pluggable installation connectors from the **WINSTA**<sup>®</sup> Series.

### What needs to be considered for the transition from NYM cables for permanent installation to pluggable installation using flexible cables?

Flexible cables must be protected against excessive loads from tension, pressure, abrasion, twisting and kinking, particularly at device inlets and the transition point to the fixed installation. With **WINSTA**<sup>®</sup> Connectors, the transition point from NYM to **WINSTA**<sup>®</sup> can be defined and connected directly on site. This transition area must be correspondingly secured and protected from excessive bending stress. In addition, all terminals must be protected against shear and tensile stress.

## FAQ – Security

### How does WINSTA® accommodate differentiating/identifying individual power circuits?

Of course, flexible marking is part of a flexible connector system. This is why WINSTA® also offers custom solutions. Components with coding B from the WINSTA® MINI and WINSTA® MIDI families can be variably printed, to explicitly identify the specific power circuit they are assigned to. With clever accessories, further possibilities emerge.

### Are the pluggable connectors secure and protected against accidental disconnection?

All products intended for permanent installation (e.g., distribution boxes, snap-in variants, PCB variants) are fitted with locking latches at the factory, so every plugged connection is securely locked. Locking latches can be attached to pre-assembled cables for "flying leads" at any time.

### Is WINSTA® suitable for outdoor installations?

The WINSTA® System is approved up to protection class IP20; thus, WINSTA® shall not be used for outdoor installations.

### Is the WINSTA® System protected against accidental contact?

All components of the WINSTA® System are protected against accidental contact, providing maximum safety.

## FAQ – Regulations, Standards and Guidelines

### To which regulations must I orient myself for installations with WINSTA®?

WINSTA® is primarily approved per IEC 61535 (VDE 0606-200) – the product standard for pluggable installation connectors intended for permanent connection in mounted installations. When installing WINSTA® products, the DIN VDE 0100 specifications must be followed.

### Can WINSTA® be used in low-voltage range applications?

Compliance of WINSTA® products with the low-voltage directive is verified by the CE approval.

### What must be accounted for when connecting a cable with reduced cross section to an underfloor box (e.g., via IDC tap-off module)?

The minimum cable cross section must be adapted to the connected load. More protection measures are only required if the cable with the reduced cross section is longer than 3 m; see VDE 0100 – 430.

### Can two electrical circuits (even those with different voltages) be routed in one connector/cable?

According to VDE 0100 Part 520, this is acceptable when the connector, or all of the wire insulation present in the cable line is rated for the maximum voltage applied.

### What needs to be considered for an installation requiring increased fire protection?

When using pluggable connector systems, the conduit selected has a significant impact on building protection, thus safeguarding the inhabitants and users. Cables and conduits fall under the Construction Product Regulation (CPR). Their performance in the event of fire is described by the fire class feature. In the WINSTA® product range, WAGO also carries cables suited for higher fire classes (B2<sub>ca</sub> and C<sub>ca</sub>) that are available in our eShop.








# WAGO Pluggable Connection System *WINSTA*® MINI



# WAGO Pluggable Connection System WINSTA® MINI ▶ 890, 891 Series

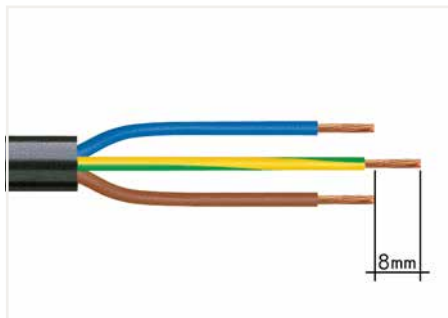
## 1.5 mm<sup>2</sup> / 16 A

- Note:
- Installation connectors are designed for connection and disconnection while not under load.
  - There is no hazard-inducing interchangeability with systems based on IEC 60309, IEC 60320, IEC 60906 and with national connector and socket systems.
  - Compliance with the standards (IEC 61535) does not guarantee hazard-preventing, non-interchangeability with installation connector systems from various manufacturers.
  - Installation connector systems are not a substitute for residential connector/socket systems.
  - B-Coded components from the WINSTA® MINI series are designed for specialty applications (e.g., measurement, control and regulation technology) and certified per DIN EN 61984.

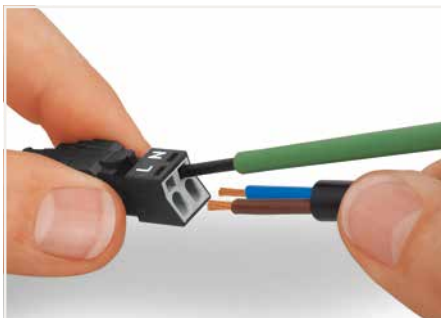
	Page	
	<b>Pluggable Connectors, 890 Series</b>	
	2-pole	30
	3-pole	54
	4-pole	76
	5-pole	98
	<b>Snap-In Device Connectors, 890 Series</b>	
	2-pole	34
	3-pole	58
	4-pole	80
	5-pole	102
	<b>Pluggable PCB Connectors, 890 Series</b>	
	2-pole	36
	3-pole	60
	4-pole	82
	5-pole	104
	<b>Distribution Connectors, 890 Series</b>	
	2-pole	40
	3-pole	64
	4-pole	86
	5-pole	108
	<b>Cable Assemblies, 891 Series</b>	
	2-pole	44
	3-pole	68
	4-pole	92
	5-pole	112

## WINSTA® MINI ▶ 890, 891 Series Installation

1



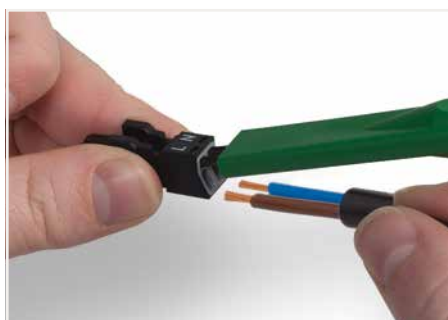
1. Strip length, outer insulation = x mm ❶
2. Strip length = 9 mm
3. Extended ground conductor = 8 mm



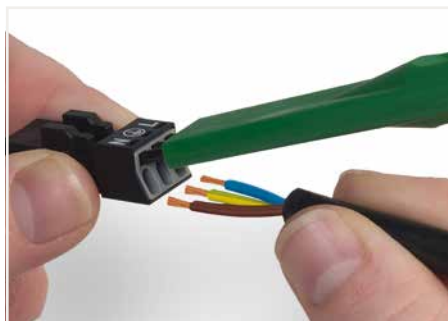
To terminate fine-stranded conductors, open the clamping unit via screwdriver (2.5 mm blade width) and insert a stripped conductor until it hits backstop. Terminate solid conductors by simply pushing them in.



Latch wired connector onto the base of the strain relief housing.



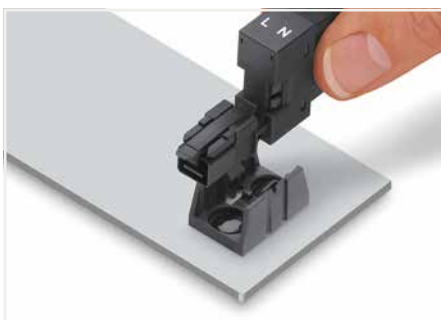
To terminate fine-stranded conductors, open clamping units via operating tool (890-382) and insert stripped conductors until they hit backstop. Terminate solid conductors by simply pushing them in.



To terminate fine-stranded conductors, open clamping units via operating tool (890-383) and insert stripped conductors until they hit backstop. Terminate solid conductors by simply pushing them in.



Secure the mounting plate via pins.



The distribution connectors snap together when attached to the mounting plate.



All connectors for mounted installations (snap-in versions, pluggable PCB connectors, distribution connectors) are factory-equipped with locking levers to ensure plugs and sockets are securely locked. Additional locking levers are only required for "flying leads" (plug/socket).

❶ Strip length, outer insulation: 2-pole = 32 mm, 3-pole = 40 mm, 4- and 5-pole = 45 mm

**PUSH-IN CAGE CLAMP®**

1



Push down strain relief clamp by hand.



Push down strain relief clamp via 2.5 mm screwdriver alternately on both sides.



Latch the top of the strain relief housing.



The printed marking of the connector is clearly visible in the openings of the strain relief housing.



Connector with shield termination



Apply the shield to the rubber cable.  
Strip length, outer insulation = 40 mm  
Shield length = 8 mm



Push the shield connecting plate into the connector until fully inserted.



First insert the wired connector into strain relief housing, then snap clamp and cover.

# WINSTA® MINI ▶ Coding: B ▶ 890, 891 Series

## Description and Installation

1



Gray, B-coded connector with "3 2 1" marking, e.g., control signal (A circuit)



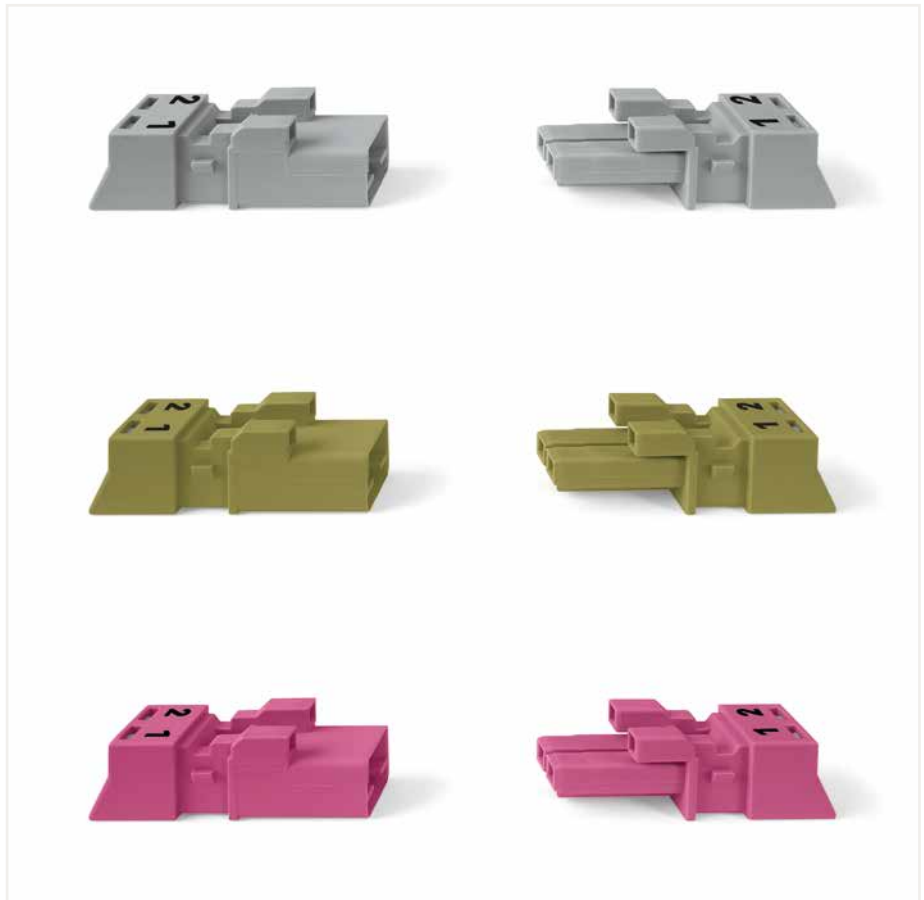
Easy circuit identification via different marking and colors



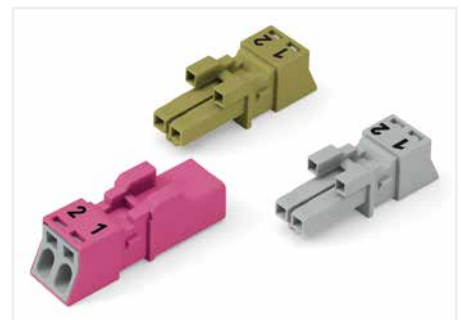
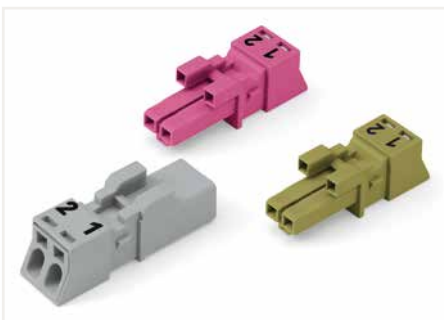
B-coded connectors (shown in gray) not only differ in color, but also in their design, making them incompatible with other coded connectors.



Light green, B-coded connector with "3 2 1" marking, e.g., DC power supply (24 V circuit)



Pink, B-coded connector with "3 2 1" marking, e.g., control signal (B circuit)



B-coded connectors with different colors can be plugged together.

**Important note:**

Different colors and/or pole markings are used for circuit identification.

Only connectors of the same color and same pole marking must be plugged together.

Installation notes for conductor connection, shield termination, operating tools and mounting aids for WINSTA® MIDI pluggable connectors, see page 26.



## Pluggable Connector ▶ WINSTA® MINI ▶ 890 Series

Pole No.: 2

1



- Protected against mismatching and maintenance-free
- Push-in CAGE CLAMP® spring pressure connection technology allows solid conductors to be simply pushed into a unit
- Compact design with 4.4 mm pole spacing
- When assembled the installation connectors complies with IP40 and are suitable for easily accessible areas

### Electrical Data

Coding	A;B;I		
Ratings per	IEC/EN 60664-1		
Overvoltage category	III	III	II
Pollution degree	3	2	2
Rated voltage	250 V	-	-
Rated impulse voltage	4 kV	-	-
Rated current	16 A	-	-
Approbations per	UL 1977		
Rated voltage	600 V		
Rated current	14 A		

### Connection Data

Connection technology	Push-in CAGE CLAMP®
Strip length	9 mm / 0.35 inch
Nominal cross-section	1.5 mm <sup>2</sup>
Solid conductor	0.25 ... 1.5 mm <sup>2</sup> / 22 ... 16 AWG
Solid conductor; push-in termination	0.75 ... 1.5 mm <sup>2</sup> / 20 ... 16 AWG
Stranded conductor	0.25 ... 1 mm <sup>2</sup> / 22 ... 18 AWG
Fine-stranded conductor	0.25 ... 1.5 mm <sup>2</sup> / 22 ... 16 AWG
Fine-stranded conductor; with insulated ferrule	0.25 ... 0.75 mm <sup>2</sup> / 22 ... 20 AWG
Fine-stranded conductor; with uninsulated ferrule	0.25 ... 0.75 mm <sup>2</sup> / 22 ... 20 AWG
Fine-stranded conductor; with ferrule; push-in termination	0.75 mm <sup>2</sup> / 20 AWG

### Material Data

Insulation material	Polyamide (PA66)
Clamping spring material	Chrome nickel spring steel (CrNi)
Contact material	Copper or copper alloy (surface-treated)

### Mechanical Data

Number of mating cycles	200, without resistive load
Mating force of a plug-in connection	approx. 20 ... 70 N (depending on pole number)
Unmating force of a plug-in connection	Unlocked: approx. 20 ... 70 N (depending on pole number)
Retention force of a plug-in connection	Locked: > 80 N

### Environmental Requirements

Processing temperature	-5 ... +40 °C
Continuous operating temperature	-35 ... +85 °C
Note on continuous operating temperature	Insulating parts for temperatures ≤ 105 °C

All WINSTA® components are 100% protected against mismatching when:

- a.) plugging different numbers of poles
- b.) plugging while rotated 180
- c.) plugging while laterally staggered
- d.) plugging one pole

Tool Page 400

See technical section for further information

For approvals and corresponding ratings, visit [www.wago.com](http://www.wago.com)

# Pluggable Connector ▶ WINSTA® MINI ▶ 890 Series

Pole No.: 2

Strain relief housing, short ▶ Female connector/socket ▶ Strip length (outer insulation): 17.5 mm ▶ Connectable sheathed cable diameter: 3.8 ... 8.2 mm ▶ Protection class: IP40

Strain relief housing, short ▶ Male connector/plug ▶ Strip length (outer insulation): 17.5 mm ▶ Connectable sheathed cable diameter: 3.8 ... 8.2 mm ▶ Protection class: IP40



890-202/342-000



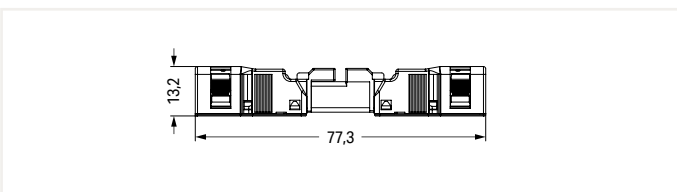
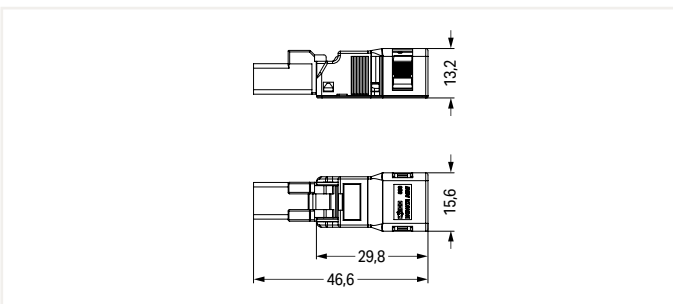
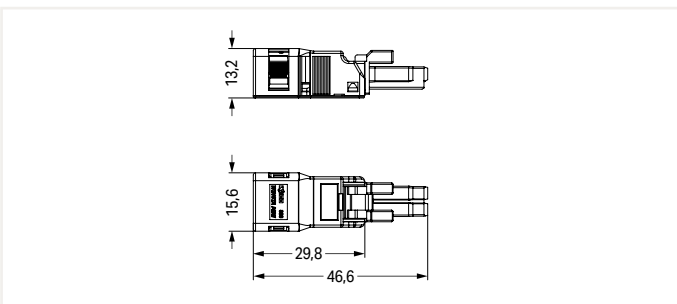
890-212/342-000

**General mains applications**

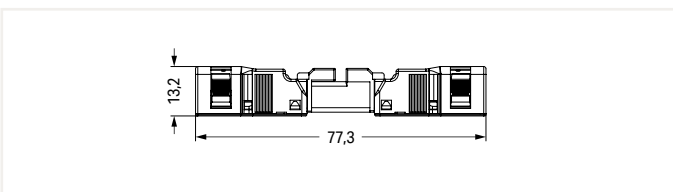
Color	Coding	Marking	Item No.	PU
● black	A	L N	890-202/342-000	50

**General mains applications**

Color	Coding	Marking	Item No.	PU
● black	A	L N	890-212/342-000	50



Overall length when mated



Overall length when mated

**Accessories; for all products on this page**



Locking lever; for flying leads; manually operated

Color	Item No.	PU (SPU)
● black	890-101	100 (50)
○ white	890-121	100 (50)



Locking lever; for flying leads; tool operated

Color	Item No.	PU (SPU)
● black	890-111	100 (50)
○ white	890-131	100 (50)



Mounting carrier; for flying leads; 2- to 5-pole

Color	Item No.	PU
● black	890-310	100
○ white	890-311	100



Operating tool; for WAGO WINSTA® MINI Connectors; Pole No.: 2

Color	Item No.	PU
● green	890-382	1

PU = Packaging Unit; SPU = Subpackaging Unit; Dimensions in mm



# Pluggable Connector ▶ WINSTA® MINI ▶ 890 Series

## Pole No.: 2

Strain relief housing ▶ Female connector/socket ▶ Strip length (outer insulation): 32 mm ▶ Connectable sheathed cable diameter: 3.8 ... 8.2 mm ▶ Protection class: IP40

Strain relief housing ▶ Male connector/plug ▶ Strip length (outer insulation): 32 mm ▶ Connectable sheathed cable diameter: 3.8 ... 8.2 mm ▶ Protection class: IP40



890-102

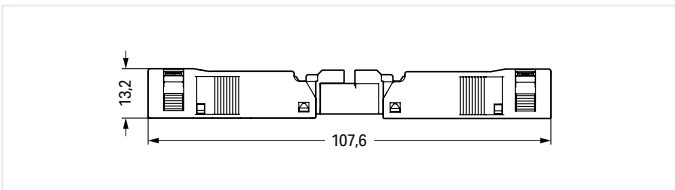
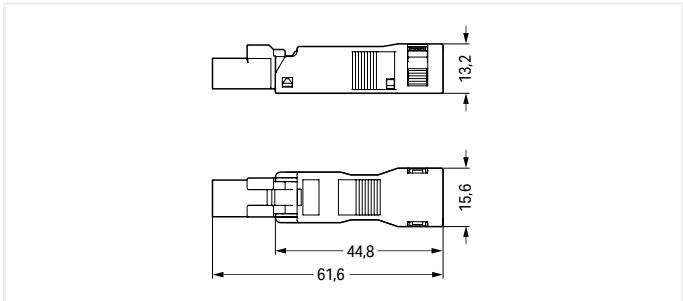
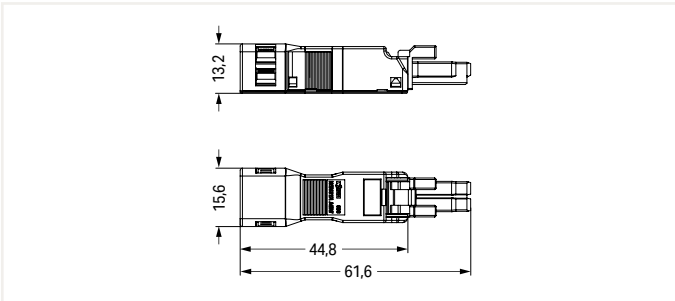
890-112

### General mains applications

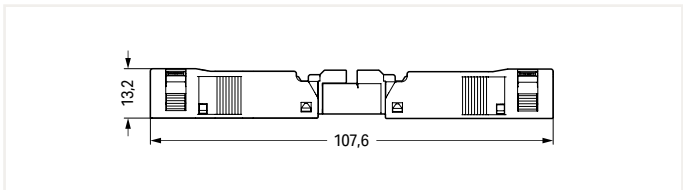
Color	Coding	Marking	Item No.	PU
● black	A	L N	890-102	50
○ white	A	L N	890-122	50

### General mains applications

Color	Coding	Marking	Item No.	PU
● black	A	L N	890-112	50
○ white	A	L N	890-132	50



Overall length when mated



Overall length when mated

### Accessories; for all products on this page



Locking lever; for flying leads; manually operated		
Color	Item No.	PU (SPU)
● black	890-101	100 (50)
○ white	890-121	100 (50)



Locking lever; for flying leads; tool operated		
Color	Item No.	PU (SPU)
● black	890-111	100 (50)
○ white	890-131	100 (50)



Mounting carrier; for flying leads; 2- to 5-pole		
Color	Item No.	PU
● black	890-310	100
○ white	890-311	100



Operating tool; for WAGO WINSTA® MINI Connectors; Pole No.: 2

Color	Item No.	PU
● green	890-382	1

PU = Packaging Unit; SPU = Subpackaging Unit; Dimensions in mm

# Pluggable Connector ▶ WINSTA® MINI ▶ 890 Series

## Pole No.: 2

Female connector/socket ▶ Protection class: IP20; IP40 with strain relief housing

Male connector/plug ▶ Protection class: IP20; IP40 when mated with strain relief housing



890-202



890-212

### General mains applications

Color	Coding	Marking	Item No.	PU
● black	A	L N	890-202	50
○ white	A	L N	890-222	50

### Measurement and regulation technology

Color	Coding	Marking	Item No.	PU
● gray	B	1 2	890-242	50
● gray	B	L N	890-242/060-000	50
● light green	B	1 2	890-262	50
● pink	B	1 2	890-282	50
● pink	B	I+ I-	890-282/080-000	50
● pink	B	+ -	890-282/082-000	50

### DALI, Lighting Management

Color	Coding	Marking	Item No.	PU
● blue	I	+ -	890-1102	50

### General mains applications

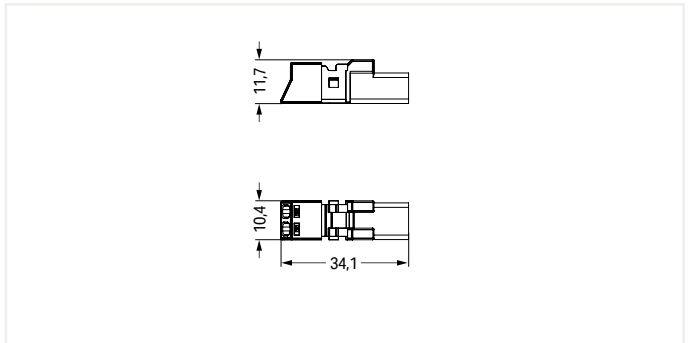
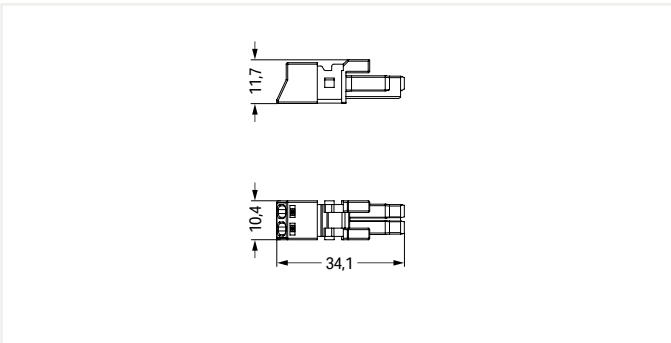
Color	Coding	Marking	Item No.	PU
● black	A	L N	890-212	50
○ white	A	L N	890-232	50

### Measurement and regulation technology

Color	Coding	Marking	Item No.	PU
● gray	B	1 2	890-252	50
● gray	B	L N	890-252/060-000	50
● light green	B	1 2	890-272	50
● pink	B	1 2	890-292	50
● pink	B	I+ I-	890-292/080-000	50
● pink	B	+ -	890-292/082-000	50

### DALI, Lighting Management

Color	Coding	Marking	Item No.	PU
● blue	I	+ -	890-1112	50



### Accessories; for all products on this page



Locking lever; for flying leads; manually operated

Color	Item No.	PU (SPU)
● black	890-101	100 (50)
○ white	890-121	100 (50)



Locking lever; for flying leads; tool operated

Color	Item No.	PU (SPU)
● black	890-111	100 (50)
○ white	890-131	100 (50)



Mounting carrier; for flying leads; 2- to 5-pole

Color	Item No.	PU
● black	890-310	100
○ white	890-311	100



Operating tool; for WAGO WINSTA® MINI Connectors; Pole No.: 2

Color	Item No.	PU
● green	890-382	1



Strain relief housing; Connectable sheathed cable diameter: 3.8 ... 8.2 mm; Strip length (outer insulation): 32 mm

Color	Item No.	PU
● black	890-502	50
○ white	890-512	50



Strain relief housing; Connectable sheathed cable diameter: 3.8 ... 8.2 mm; Strip length (outer insulation): 17.5 mm

Color	Item No.	PU
● black	890-502/342-000	50
○ white	890-512/342-000	50

PU = Packaging Unit; SPU = Subpackaging Unit; Dimensions in mm

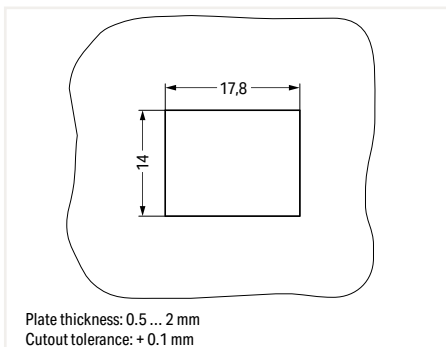
## Snap-in Device Connector ▶ WINSTA® MINI ▶ 890 Series

Pole No.: 2

1



- Protected against mismatching and maintenance-free
- Push-in CAGE CLAMP® spring pressure connection technology allows solid conductors to be simply pushed into a unit.
- Low profile with 4.4 mm pole spacing
- When assembled, the installation connectors comply with IP40 and are suitable for easily accessible areas.



Electrical Data			
Coding	A;B;I		
Ratings per	IEC/EN 60664-1		
Overvoltage category	III	III	II
Pollution degree	3	2	2
Rated voltage	250 V	-	-
Rated impulse voltage	4 kV	-	-
Rated current	16 A	-	-
Approbations per	UL 1977		
Rated voltage	600 V		
Rated current	14 A		

Connection Data	
Connection technology	Push-in CAGE CLAMP®
Strip length	9 mm / 0.35 inch
Nominal cross-section	1.5 mm <sup>2</sup>
Solid conductor	0.25 ... 1.5 mm <sup>2</sup> / 22 ... 16 AWG
Solid conductor; push-in termination	0.75 ... 1.5 mm <sup>2</sup> / 20 ... 16 AWG
Stranded conductor	0.25 ... 1 mm <sup>2</sup> / 22 ... 18 AWG
Fine-stranded conductor	0.25 ... 1.5 mm <sup>2</sup> / 22 ... 16 AWG
Fine-stranded conductor; with insulated ferrule	0.25 ... 0.75 mm <sup>2</sup> / 22 ... 20 AWG
Fine-stranded conductor; with uninsulated ferrule	0.25 ... 0.75 mm <sup>2</sup> / 22 ... 20 AWG
Fine-stranded conductor; with ferrule; push-in termination	0.75 mm <sup>2</sup> / 20 AWG

Material Data	
Insulation material	Polyamide (PA66)
Clamping spring material	Chrome nickel spring steel (CrNi)
Contact material	Copper or copper alloy (surface-treated)

Mechanical Data	
Number of mating cycles	200, without resistive load
Mating force of a plug-in connection	approx. 20 ... 70 N (depending on pole number)
Unmating force of a plug-in connection	Unlocked: approx. 20 ... 70 N (depending on pole number)
Retention force of a plug-in connection	Locked: > 80 N

Environmental Requirements	
Processing temperature	-5 ... +40 °C
Continuous operating temperature	-35 ... +85 °C
Note on continuous operating temperature	Insulating parts for temperatures ≤ 105 °C

All WINSTA® components are 100% protected against mismatching when:

- a.) plugging different numbers of poles
- b.) plugging while rotated 180
- c.) plugging while laterally staggered
- d.) plugging one pole

Tool Page 400

See technical section for further information

For approvals and corresponding ratings, visit [www.wago.com](http://www.wago.com)

# Snap-in Device Connector ▶ WINSTA® MINI ▶ 890 Series

## Pole No.: 2

Female connector/socket ▶ Protection class: IP40

Male connector/plug ▶ Protection class: IP20; IP40 when mated



890-702



890-712

**General mains applications**

Color	Coding	Marking	Item No.	PU (SPU)
● black	A	L N	890-702	50 (50)
○ white	A	L N	890-722	50 (50)

**Measurement and regulation technology**

Color	Coding	Marking	Item No.	PU (SPU)
● gray	B	1 2	890-742	50 (50)
● gray	B	L N	890-742/060-000	50 (50)
● light green	B	1 2	890-762	50 (50)
● pink	B	1 2	890-782	50 (50)
● pink	B	I+ I-	890-782/080-000	50 (50)
● pink	B	+ -	890-782/082-000	50 (50)

**DALI, Lighting Management**

Color	Coding	Marking	Item No.	PU (SPU)
● blue	I	+ -	890-2102	50 (50)

**General mains applications**

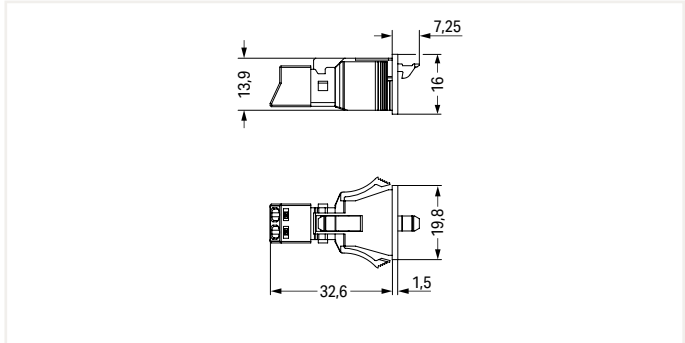
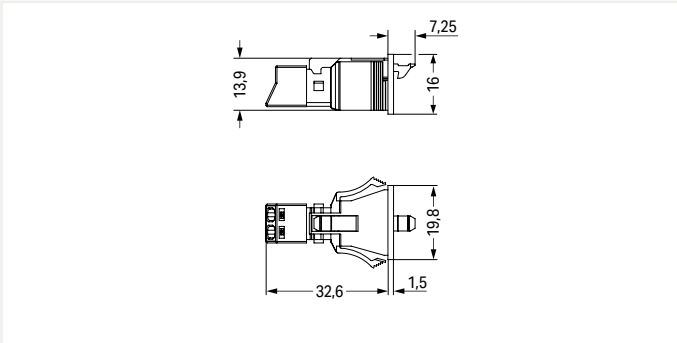
Color	Coding	Marking	Item No.	PU (SPU)
● black	A	L N	890-712	50 (50)
○ white	A	L N	890-732	50 (50)

**Measurement and regulation technology**

Color	Coding	Marking	Item No.	PU (SPU)
● gray	B	1 2	890-752	50 (50)
● gray	B	L N	890-752/060-000	50 (50)
● light green	B	1 2	890-772	50 (50)
● pink	B	1 2	890-792	50 (50)
● pink	B	I+ I-	890-792/080-000	50 (50)
● pink	B	+ -	890-792/082-000	50 (50)

**DALI, Lighting Management**

Color	Coding	Marking	Item No.	PU (SPU)
● blue	I	+ -	890-2112	50 (50)



**Accessories; for all products on this page**



Operating tool; for WAGO WINSTA® MINI Connectors;  
Pole No.: 2

Color	Item No.	PU
● green	890-382	1



Lockout cap; for cutout; Pole No.: 2

Color	Item No.	PU
● black	890-642	100
○ white	890-692	100

PU = Packaging Unit; SPU = Subpackaging Unit; Dimensions in mm

## Pluggable PCB Connector ▶ WINSTA® MINI ▶ 890 Series

Pole No.: 2

1



- Protected against mismatching and maintenance-free
- Push-in CAGE CLAMP® spring pressure connection technology allows solid conductors to be simply pushed into a unit.
- Low profile with 4.4 mm pole spacing

Electrical Data			
Coding	A;B;I		
Ratings per	IEC/EN 60664-1		
Overvoltage category	III	III	II
Pollution degree	3	2	2
Rated voltage	250 V	-	-
Rated impulse voltage	4 kV	-	-
Rated current	16 A	-	-
Approbations per	UL 1977		
Rated voltage	600 V		
Rated current	14 A		

Material Data	
Insulation material	Polyamide (PA66)
Clamping spring material	Chrome nickel spring steel (CrNi)
Contact material	Copper or copper alloy (surface-treated)

Mechanical Data	
Solder pin arrangement	2 in-line solder pins/pole
Solder pin length	3.5 mm
Solder pin dimensions	1 x 0.8 mm
Drilled hole diameter with tolerance	1.3 <sup>(+0.1)</sup> mm
Mating force of a plug-in connection	approx. 20 ... 70 N (depending on pole number)
Unmating force of a plug-in connection	Unlocked: approx. 20 ... 70 N (depending on pole number)
Retention force of a plug-in connection	Locked: > 80 N

Environmental Requirements	
Processing temperature	-5 ... +40 °C
Continuous operating temperature	-35 ... +85 °C
Note on continuous operating temperature	Insulating parts for temperatures ≤ 105 °C

All WINSTA® components are 100% protected against mismatching when:

- plugging different numbers of poles
- plugging while rotated 180
- plugging while laterally staggered
- plugging one pole

See technical section for further information

For approvals and corresponding ratings, visit [www.wago.com](http://www.wago.com)

# Pluggable PCB Connector ▶ WINSTA® MINI ▶ 890 Series

## Pole No.: 2

straight ▶ Female connector/socket

straight ▶ Male connector/plug



890-802

890-812

**General mains applications**

Color	Coding	Marking	Item No.	PU
● black	A	LN	890-802	100
○ white	A	LN	890-822	100

**General mains applications**

Color	Coding	Marking	Item No.	PU
● black	A	LN	890-812	100
○ white	A	LN	890-832	100

**Measurement and regulation technology**

Color	Coding	Marking	Item No.	PU
● gray	B	1 2	890-842	100
● light green	B	1 2	890-862	100
● pink	B	1 2	890-882	100

**Measurement and regulation technology**

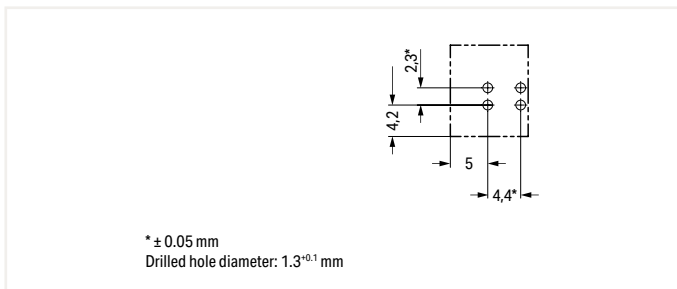
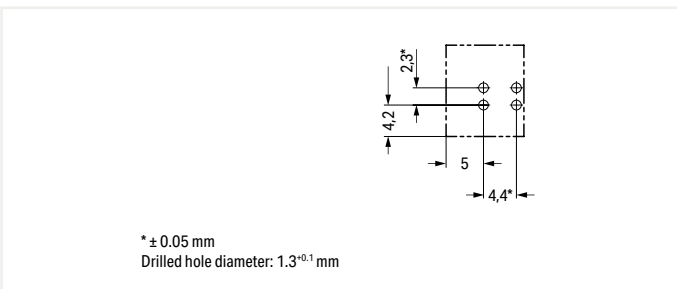
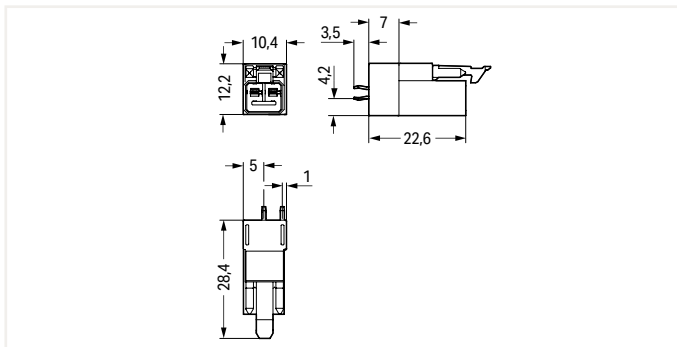
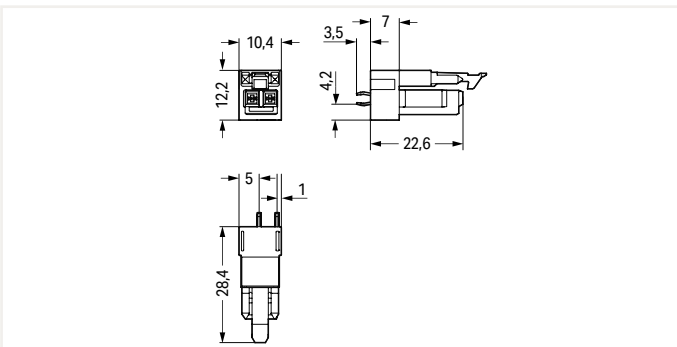
Color	Coding	Marking	Item No.	PU
● gray	B	1 2	890-852	100
● light green	B	1 2	890-872	100
● pink	B	1 2	890-892	100

**DALI, Lighting Management**

Color	Coding	Marking	Item No.	PU
● blue	I	+ -	890-3102	100

**DALI, Lighting Management**

Color	Coding	Marking	Item No.	PU
● blue	I	+ -	890-3112	100



PU = Packaging Unit; SPU = Subpackaging Unit; Dimensions in mm



# Pluggable PCB Connector ▶ WINSTA® MINI ▶ 890 Series

## Pole No.: 2

angled ▶ Female connector/socket

angled ▶ Male connector/plug

1



890-802/011-000

890-812/011-000

**General mains applications**

Color	Coding	Marking	Item No.	PU
● black	A	L N	890-802/011-000	100
○ white	A	L N	890-822/011-000	100

**General mains applications**

Color	Coding	Marking	Item No.	PU
● black	A	L N	890-812/011-000	100
○ white	A	L N	890-832/011-000	100

**Measurement and regulation technology**

Color	Coding	Marking	Item No.	PU
● gray	B	1 2	890-842/011-000	100
● light green	B	1 2	890-862/011-000	100
● pink	B	1 2	890-882/011-000	100

**Measurement and regulation technology**

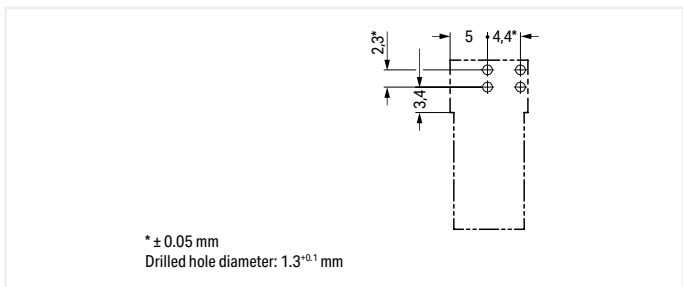
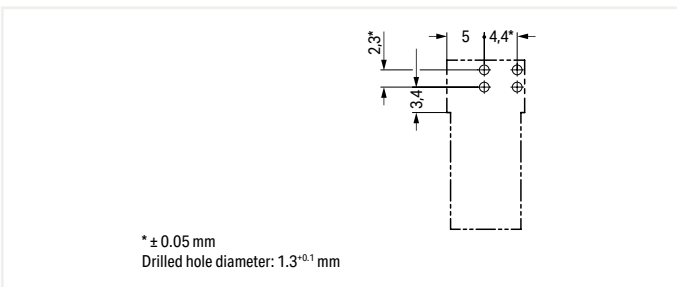
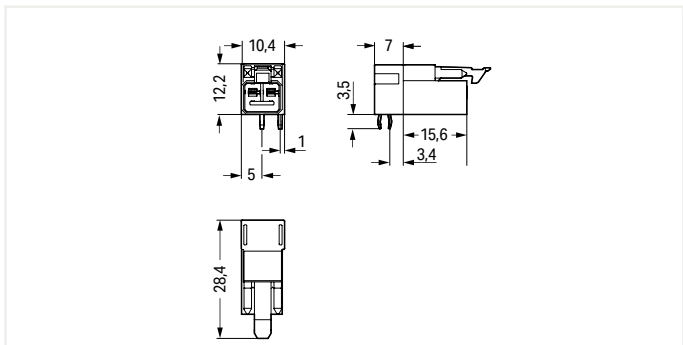
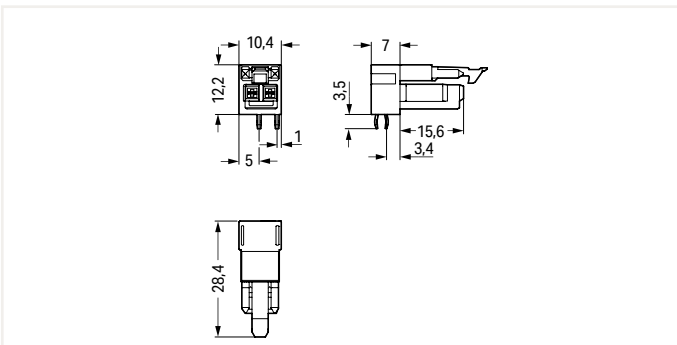
Color	Coding	Marking	Item No.	PU
● gray	B	1 2	890-852/011-000	100
● light green	B	1 2	890-872/011-000	100
● pink	B	1 2	890-892/011-000	100

**DALI, Lighting Management**

Color	Coding	Marking	Item No.	PU
● blue	I	+ -	890-3102/011-000	100

**DALI, Lighting Management**

Color	Coding	Marking	Item No.	PU
● blue	I	+ -	890-3112/011-000	100





**Distribution Connector ▶ WINSTA® MINI ▶ 890 Series**

Pole No.: 2 ▶ Protection class: IP20; IP40 when mated



- Protected against mismatching and maintenance-free
- Low profile with 4.4 mm pole spacing

Electrical Data			
<b>Coding</b>	A;B;I		
Ratings per	IEC/EN 60664-1		
Overvoltage category	III	III	II
Pollution degree	3	2	2
Rated voltage	250 V	-	-
Rated impulse voltage	4 kV	-	-
Rated current	16 A	-	-
<b>Approbations per</b>	UL 1977		
Rated voltage	600 V		
Rated current	14 A		
Material Data			
Insulation material	Polyamide (PA66)		
Contact material	Copper or copper alloy (surface-treated)		
Mechanical Data			
Number of mating cycles	200, without resistive load		
Mating force of a plug-in connection	Approx. 20 ... 70 N (depending on pole number)		
Unmating force of a plug-in connection	Unlocked: approx. 20 ... 70 N (depending on pole number)		
Retention force of a plug-in connection	When locked: > 80 N		
Protection type	IP20		
Note on protection type	IP40 when mated		
Environmental Requirements			
Processing temperature	-5 ... +40 °C		
Continuous operating temperature	-35 ... +85 °C		
Note on continuous operating temperature	Insulating parts for temperatures ≤ 105 °C		

All WINSTA® components are 100% protected against mismatching when:

- a.) plugging different numbers of poles
- b.) plugging while rotated 180
- c.) plugging while laterally staggered
- d.) plugging one pole

See technical section for further information

For approvals and corresponding ratings, visit [www.wago.com](http://www.wago.com)

# Distribution Connector ▶ WINSTA® MINI ▶ 890 Series

Pole No.: 2 ▶ Protection class: IP20; IP40 when mated

T-distribution connector ▶ Number of locking levers: 2

T-distribution connector ▶ Number of locking levers: 3 ▶ for flying leads



890-1606



890-1606

**General mains applications**

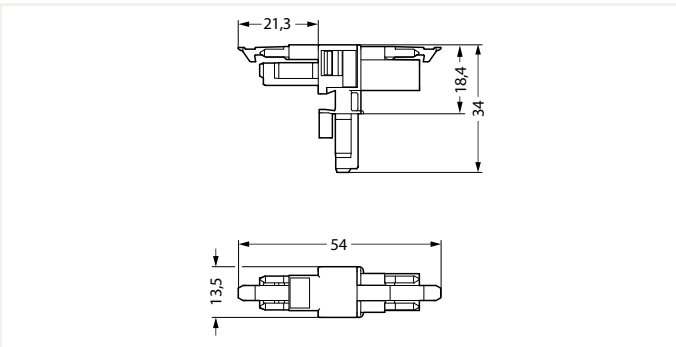
Color	Coding	Marking	Item No.	PU
● black	A	L N	890-1606	25
○ white	A	L N	890-1656	25

**Measurement and regulation technology**

Color	Coding	Marking	Item No.	PU
● gray	B	1 2	890-1601	25
● light green	B	1 2	890-1602	25
● pink	B	1 2	890-1603	25

**DALI, Lighting Management**

Color	Coding	Marking	Item No.	PU
● blue	I	+ -	890-1617	25



**General mains applications**

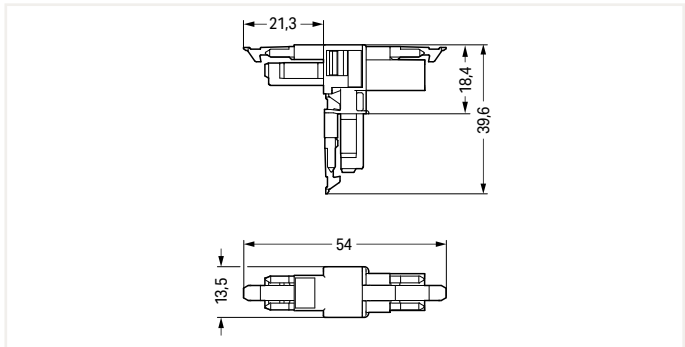
Color	Coding	Marking	Item No.	PU
● black	A	L N	890-1615	25
○ white	A	L N	890-1665	25

**Measurement and regulation technology**

Color	Coding	Marking	Item No.	PU
● gray	B	1 2	890-1701	25
● light green	B	1 2	890-1702	25
● pink	B	1 2	890-1703	25

**DALI, Lighting Management**

Color	Coding	Marking	Item No.	PU
● blue	I	+ -	890-1620	25



PU = Packaging Unit; SPU = Subpackaging Unit; Dimensions in mm

1



# Distribution Connector ▶ WINSTA® MINI ▶ 890 Series

Pole No.: 2 ▶ Protection class: IP20; IP40 when mated

h-distribution connector (unidirectional) ▶ Number of locking levers: 2

h-distribution connector (unidirectional) ▶ Number of locking levers: 3 ▶ for flying leads

1



890-1634



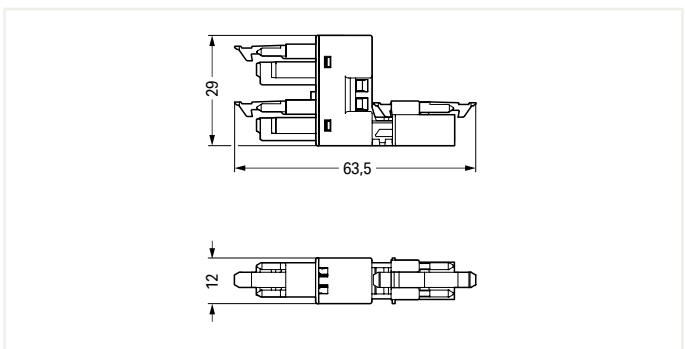
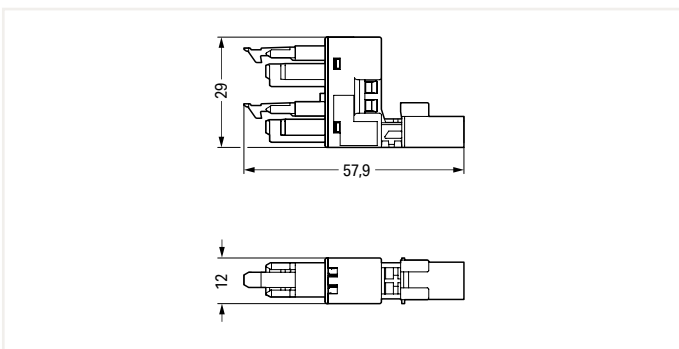
890-1634

**General mains applications**

Color	Coding	Marking	Item No.	PU
● black	A	L N	890-1634	50
○ white	A	L N	890-1684	50

**General mains applications**

Color	Coding	Marking	Item No.	PU
● black	A	L N	890-1636	50
○ white	A	L N	890-1686	50



**Accessories; for all products on this page**



**Mounting plate; for distribution connectors (except T-distribution connectors); 2-pole**

Color	Item No.	PU
● black	890-1622	50
○ white	890-1672	50

PU = Packaging Unit; SPU = Subpackaging Unit; Dimensions in mm

# Distribution Connector ▶ WINSTA® MINI ▶ 890 Series

Pole No.: 2 ▶ Protection class: IP20; IP40 when mated

Distribution connector, 3-way,

Distribution connector (5-way)

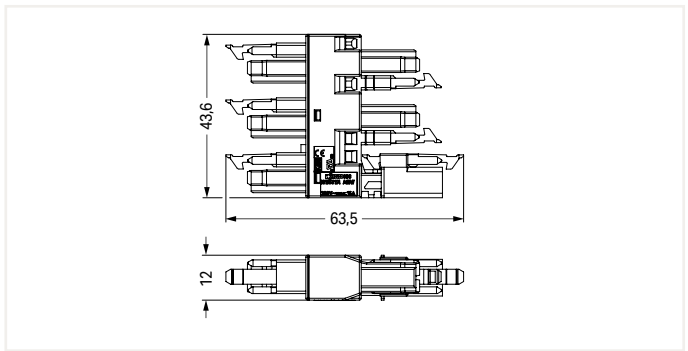
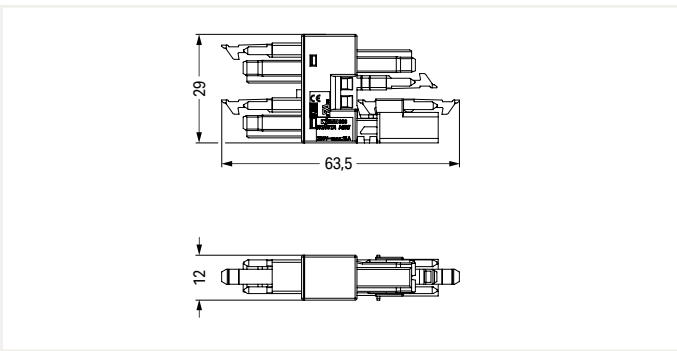


890-1904

890-1907

DALI, Lighting Management				
Color	Coding	Marking	Item No.	PU
● blue	I	+ -	890-1904	50

DALI, Lighting Management				
Color	Coding	Marking	Item No.	PU
● blue	I	+ -	890-1907	50



Accessories; for all products on this page



Mounting plate; for distribution connectors (except T-distribution connectors); 2-pole

Color	Item No.	PU
● black	890-1622	50
○ white	890-1672	50

PU = Packaging Unit; SPU = Subpackaging Unit; Dimensions in mm

## Cable Assembly ▶ WINSTA® MINI ▶ 891 Series

Pole No.: 2 ▶ Fire class per EN 50575: E<sub>ca</sub>

1



- Protected against mismatching and maintenance-free
- Low profile with 4.4 mm pole spacing

Electrical Data						
Coding	A;B			A;B;I		
Wire cross-section	1 mm <sup>2</sup>			1.5 mm <sup>2</sup>		
Ratings per	IEC/EN 60664-1			IEC/EN 60664-1		
Overvoltage category	III	III	II	III	III	II
Pollution degree	3	2	2	3	2	2
Rated voltage	250 V	-	-	250 V	-	-
Rated impulse voltage	4 kV	-	-	4 kV	-	-
Rated current	10 A	-	-	16 A	-	-

Material Data	
Insulation material	Polyamide (PA66)
Contact material	Copper or copper alloy (surface-treated)
Fire class per EN 50575	E <sub>ca</sub>

Mechanical Data	
Number of mating cycles	200, without resistive load
Mating force of a plug-in connection	approx. 20 ... 70 N (depending on pole number)
Unmating force of a plug-in connection	when unlocked: approx. 20 ... 70 N (depending on pole number)
Retention force of a plug-in connection	when locked: > 80N

Environmental Requirements	
Processing temperature	-5 ... +40 °C
Continuous operating temperature	-35 ... +85 °C
Note on continuous operating temperature	PVC cable for temperatures ≤ 70 °C (including halogen-free) Insulating parts for temperatures ≤ 105 °C

All WINSTA® components are 100% protected against mismatching when:

- a.) plugging different numbers of poles
- b.) plugging while rotated 180
- c.) plugging while laterally staggered
- d.) plugging one pole

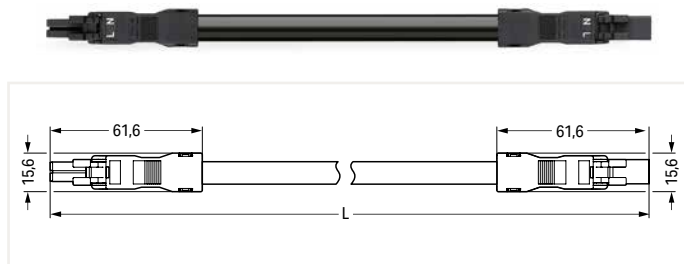
Cables with a different fire class can be found in the eShop.

See technical section for further information

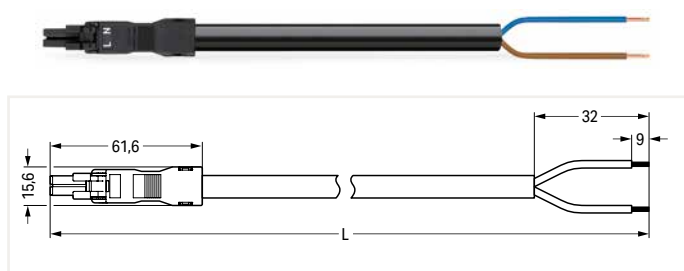
For approvals and corresponding ratings, visit [www.wago.com](http://www.wago.com)

### Cable Assembly ▶ WINSTA® MINI ▶ 891 Series

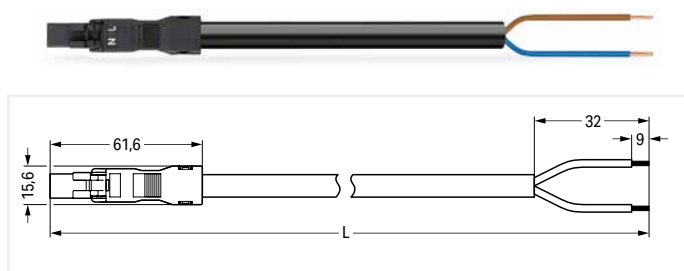
Pole No.: 2 ▶ Fire class per EN 50575: E<sub>ca</sub> ▶ Coding: A ▶ 1 mm<sup>2</sup> ▶ Marking: L N ▶ PVC ▶ Sheathed cable diameter: 5.9 ... 7.5 mm ▶ H05VV-F 2x1 ▶ General mains applications



Interconnecting cable ▶ Socket - Plug ▶ Protection class: IP20; IP40 when mated			
Total length	Connector color/Strain relief color		PU
	black/black	white/white	
1 m	891-8992/005-101	891-8992/005-102	1
2 m	891-8992/005-201	891-8992/005-202	1
3 m	891-8992/005-301	891-8992/005-302	1
4 m	891-8992/005-401	891-8992/005-402	1
5 m	891-8992/005-501	891-8992/005-502	1
6 m	891-8992/005-601	891-8992/005-602	1
7 m	891-8992/005-701	891-8992/005-702	1
8 m	891-8992/005-801	891-8992/005-802	1



Connecting cable ▶ Socket - Free end ▶ Protection class: IP40			
Total length	Connector color/Strain relief color		PU
	black/black	white/white	
1 m	891-8992/105-101	891-8992/105-102	1
2 m	891-8992/105-201	891-8992/105-202	1
3 m	891-8992/105-301	891-8992/105-302	1
4 m	891-8992/105-401	891-8992/105-402	1
5 m	891-8992/105-501	891-8992/105-502	1
6 m	891-8992/105-601	891-8992/105-602	1
7 m	891-8992/105-701	891-8992/105-702	1
8 m	891-8992/105-801	891-8992/105-802	1



Connecting cable ▶ Plug - Free end ▶ Protection class: IP20; IP40 when mated			
Total length	Connector color/Strain relief color		PU
	black/black	white/white	
1 m	891-8992/205-101	891-8992/205-102	1
2 m	891-8992/205-201	891-8992/205-202	1
3 m	891-8992/205-301	891-8992/205-302	1
4 m	891-8992/205-401	891-8992/205-402	1
5 m	891-8992/205-501	891-8992/205-502	1
6 m	891-8992/205-601	891-8992/205-602	1
7 m	891-8992/205-701	891-8992/205-702	1
8 m	891-8992/205-801	891-8992/205-802	1

Accessories; for all products on this page



Locking lever; for flying leads; manually operated		
Color	Item No.	PU (SPU)
● black	890-101	100 (50)
○ white	890-121	100 (50)



Locking lever; for flying leads; tool operated		
Color	Item No.	PU (SPU)
● black	890-111	100 (50)
○ white	890-131	100 (50)



Mounting carrier; for flying leads; 2- to 5-pole		
Color	Item No.	PU
● black	890-310	100
○ white	890-311	100

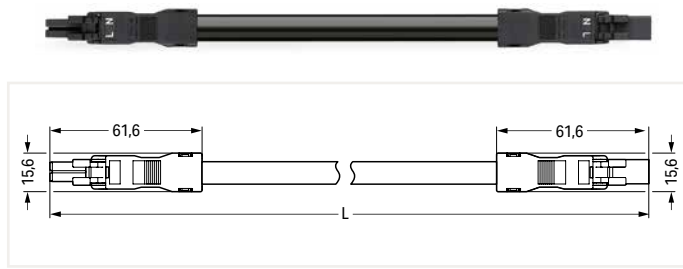
PU = Packaging Unit; SPU = Subpackaging Unit; Dimensions in mm



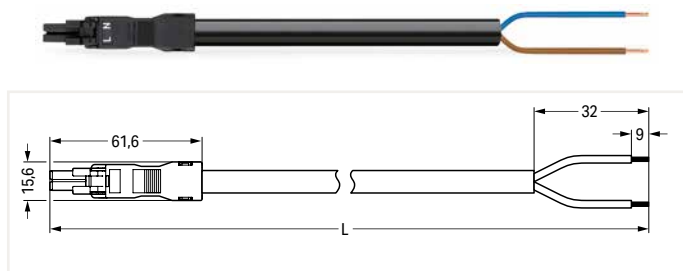
# Cable Assembly ▶ WINSTA® MINI ▶ 891 Series

Pole No.: 2 ▶ Fire class per EN 50575: E<sub>ca</sub> ▶ Coding: A ▶ 1 mm<sup>2</sup> ▶ Marking: L N ▶ Halogen-free ▶ Sheathed cable diameter: 5.9 ... 7.5 mm ▶ H05Z1Z1-F 2x1 ▶ General mains applications

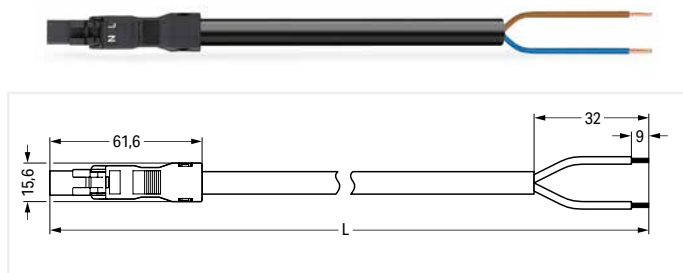
1



Interconnecting cable ▶ Socket - Plug ▶ Protection class: IP20; IP40 when mated			
Total length	Connector color/Strain relief color		PU
	black/black	white/white	
1 m	891-8992/015-101	891-8992/015-102	1
2 m	891-8992/015-201	891-8992/015-202	1
3 m	891-8992/015-301	891-8992/015-302	1
4 m	891-8992/015-401	891-8992/015-402	1
5 m	891-8992/015-501	891-8992/015-502	1
6 m	891-8992/015-601	891-8992/015-602	1
7 m	891-8992/015-701	891-8992/015-702	1
8 m	891-8992/015-801	891-8992/015-802	1



Connecting cable ▶ Socket - Free end ▶ Protection class: IP40			
Total length	Connector color/Strain relief color		PU
	black/black	white/white	
1 m	891-8992/115-101	891-8992/115-102	1
2 m	891-8992/115-201	891-8992/115-202	1
3 m	891-8992/115-301	891-8992/115-302	1
4 m	891-8992/115-401	891-8992/115-402	1
5 m	891-8992/115-501	891-8992/115-502	1
6 m	891-8992/115-601	891-8992/115-602	1
7 m	891-8992/115-701	891-8992/115-702	1
8 m	891-8992/115-801	891-8992/115-802	1



Connecting cable ▶ Plug - Free end ▶ Protection class: IP20; IP40 when mated			
Total length	Connector color/Strain relief color		PU
	black/black	white/white	
1 m	891-8992/215-101	891-8992/215-102	1
2 m	891-8992/215-201	891-8992/215-202	1
3 m	891-8992/215-301	891-8992/215-302	1
4 m	891-8992/215-401	891-8992/215-402	1
5 m	891-8992/215-501	891-8992/215-502	1
6 m	891-8992/215-601	891-8992/215-602	1
7 m	891-8992/215-701	891-8992/215-702	1
8 m	891-8992/215-801	891-8992/215-802	1

Accessories; for all products on this page



Locking lever; for flying leads; manually operated		
Color	Item No.	PU (SPU)
● black	890-101	100 (50)
○ white	890-121	100 (50)

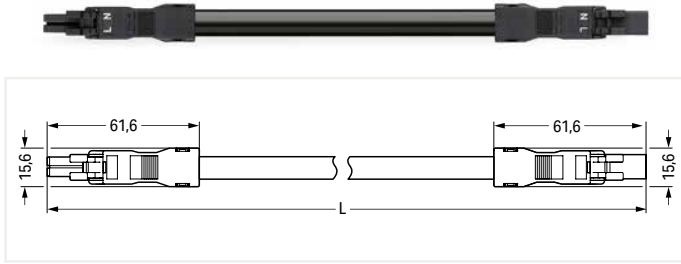
Locking lever; for flying leads; tool operated		
Color	Item No.	PU (SPU)
● black	890-111	100 (50)
○ white	890-131	100 (50)

Mounting carrier; for flying leads; 2- to 5-pole		
Color	Item No.	PU
● black	890-310	100
○ white	890-311	100

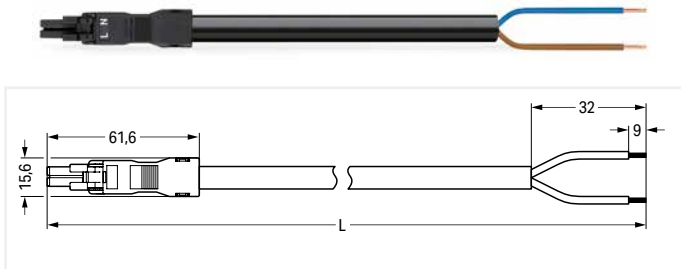
PU = Packaging Unit; SPU = Subpackaging Unit; Dimensions in mm

### Cable Assembly ▶ WINSTA® MINI ▶ 891 Series

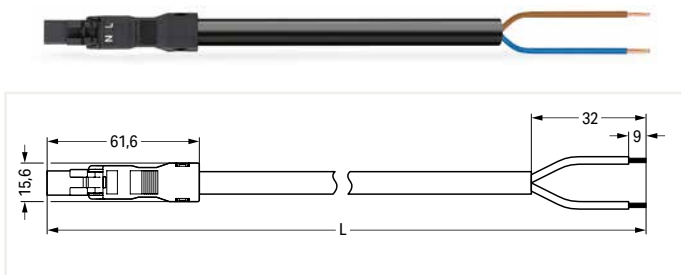
Pole No.: 2 ▶ Fire class per EN 50575: E<sub>ca</sub> ▶ Coding: A ▶ 1.5 mm<sup>2</sup> ▶ Marking: L N ▶ PVC ▶ Sheathed cable diameter: 6.8 ... 8.6 mm ▶ H05VV-F 2x1.5 ▶ General mains applications



Interconnecting cable ▶ Socket - Plug ▶ Protection class: IP20; IP40 when mated			
Total length	Connector color/Strain relief color		PU
	black/black	white/white	
1 m	891-8992/006-101	891-8992/006-102	1
2 m	891-8992/006-201	891-8992/006-202	1
3 m	891-8992/006-301	891-8992/006-302	1
4 m	891-8992/006-401	891-8992/006-402	1
5 m	891-8992/006-501	891-8992/006-502	1
6 m	891-8992/006-601	891-8992/006-602	1
7 m	891-8992/006-701	891-8992/006-702	1
8 m	891-8992/006-801	891-8992/006-802	1



Connecting cable ▶ Socket - Free end ▶ Protection class: IP40			
Total length	Connector color/Strain relief color		PU
	black/black	white/white	
1 m	891-8992/106-101	891-8992/106-102	1
2 m	891-8992/106-201	891-8992/106-202	1
3 m	891-8992/106-301	891-8992/106-302	1
4 m	891-8992/106-401	891-8992/106-402	1
5 m	891-8992/106-501	891-8992/106-502	1
6 m	891-8992/106-601	891-8992/106-602	1
7 m	891-8992/106-701	891-8992/106-702	1
8 m	891-8992/106-801	891-8992/106-802	1



Connecting cable ▶ Plug - Free end ▶ Protection class: IP20; IP40 when mated			
Total length	Connector color/Strain relief color		PU
	black/black	white/white	
1 m	891-8992/206-101	891-8992/206-102	1
2 m	891-8992/206-201	891-8992/206-202	1
3 m	891-8992/206-301	891-8992/206-302	1
4 m	891-8992/206-401	891-8992/206-402	1
5 m	891-8992/206-501	891-8992/206-502	1
6 m	891-8992/206-601	891-8992/206-602	1
7 m	891-8992/206-701	891-8992/206-702	1
8 m	891-8992/206-801	891-8992/206-802	1

Accessories; for all products on this page



Locking lever; for flying leads; manually operated		
Color	Item No.	PU (SPU)
● black	890-101	100 (50)
○ white	890-121	100 (50)



Locking lever; for flying leads; tool operated		
Color	Item No.	PU (SPU)
● black	890-111	100 (50)
○ white	890-131	100 (50)



Mounting carrier; for flying leads; 2- to 5-pole		
Color	Item No.	PU
● black	890-310	100
○ white	890-311	100

PU = Packaging Unit; SPU = Subpackaging Unit; Dimensions in mm

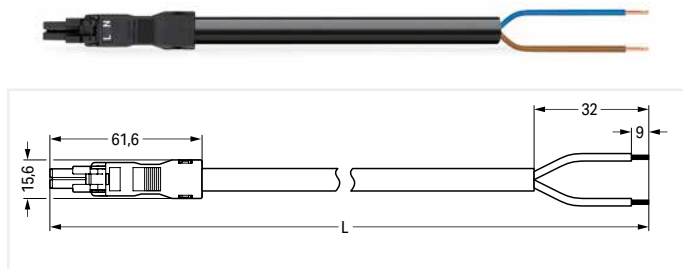
# Cable Assembly ▶ WINSTA® MINI ▶ 891 Series

Pole No.: 2 ▶ Fire class per EN 50575: E<sub>ca</sub> ▶ Coding: A ▶ 1.5 mm<sup>2</sup> ▶ Marking: L N ▶ Halogen-free ▶ Sheathed cable diameter: 6.8 ... 8.6 mm ▶ H05Z1Z1-F 2x1.5 ▶ General mains applications

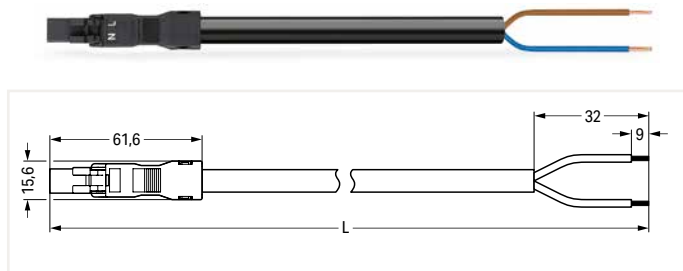
1



Interconnecting cable ▶ Socket - Plug ▶ Protection class: IP20; IP40 when mated			
Total length	Connector color/Strain relief color		PU
	black/black	white/white	
1 m	891-8992/016-101	891-8992/016-102	1
2 m	891-8992/016-201	891-8992/016-202	1
3 m	891-8992/016-301	891-8992/016-302	1
4 m	891-8992/016-401	891-8992/016-402	1
5 m	891-8992/016-501	891-8992/016-502	1
6 m	891-8992/016-601	891-8992/016-602	1
7 m	891-8992/016-701	891-8992/016-702	1
8 m	891-8992/016-801	891-8992/016-802	1



Connecting cable ▶ Socket - Free end ▶ Protection class: IP40			
Total length	Connector color/Strain relief color		PU
	black/black	white/white	
1 m	891-8992/116-101	891-8992/116-102	1
2 m	891-8992/116-201	891-8992/116-202	1
3 m	891-8992/116-301	891-8992/116-302	1
4 m	891-8992/116-401	891-8992/116-402	1
5 m	891-8992/116-501	891-8992/116-502	1
6 m	891-8992/116-601	891-8992/116-602	1
7 m	891-8992/116-701	891-8992/116-702	1
8 m	891-8992/116-801	891-8992/116-802	1



Connecting cable ▶ Plug - Free end ▶ Protection class: IP20; IP40 when mated			
Total length	Connector color/Strain relief color		PU
	black/black	white/white	
1 m	891-8992/216-101	891-8992/216-102	1
2 m	891-8992/216-201	891-8992/216-202	1
3 m	891-8992/216-301	891-8992/216-302	1
4 m	891-8992/216-401	891-8992/216-402	1
5 m	891-8992/216-501	891-8992/216-502	1
6 m	891-8992/216-601	891-8992/216-602	1
7 m	891-8992/216-701	891-8992/216-702	1
8 m	891-8992/216-801	891-8992/216-802	1

Accessories; for all products on this page



Locking lever; for flying leads; manually operated		
Color	Item No.	PU (SPU)
● black	890-101	100 (50)
○ white	890-121	100 (50)

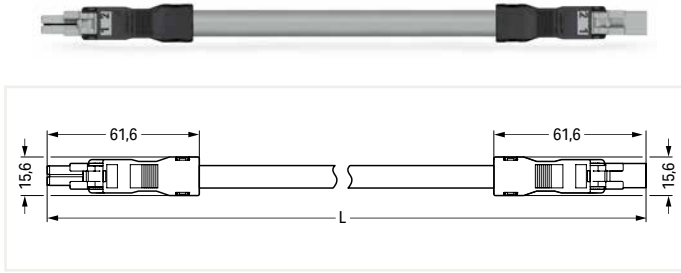
Locking lever; for flying leads; tool operated		
Color	Item No.	PU (SPU)
● black	890-111	100 (50)
○ white	890-131	100 (50)

Mounting carrier; for flying leads; 2- to 5-pole		
Color	Item No.	PU
● black	890-310	100
○ white	890-311	100

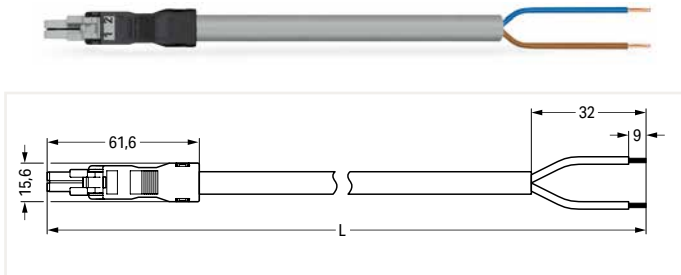
PU = Packaging Unit; SPU = Subpackaging Unit; Dimensions in mm

### Cable Assembly ▶ WINSTA® MINI ▶ 891 Series

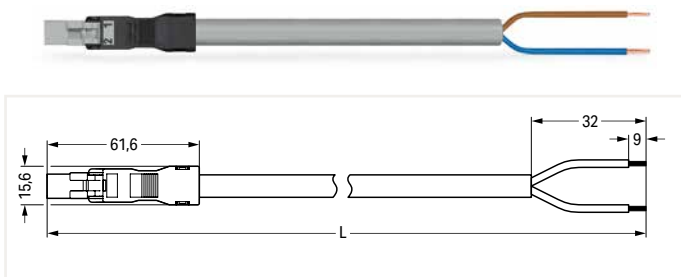
Pole No.: 2 ▶ Fire class per EN 50575: E<sub>ca</sub> ▶ Coding: B ▶ 1 mm<sup>2</sup> ▶ Marking: 1 2 ▶ PVC ▶ Sheathed cable diameter: 5.9 ... 7.5 mm ▶ Control line 2 x 1 ▶ Measurement and regulation technology



Interconnecting cable ▶ Socket - Plug ▶ Protection class: IP20; IP40 when mated				
Total length	Connector color/Strain relief color			PU
	gray/black	light green/black	pink/black	
1 m	891-8992/005-103	891-8992/005-105	891-8992/005-107	1
2 m	891-8992/005-203	891-8992/005-205	891-8992/005-207	1
3 m	891-8992/005-303	891-8992/005-305	891-8992/005-307	1
4 m	891-8992/005-403	891-8992/005-405	891-8992/005-407	1
5 m	891-8992/005-503	891-8992/005-505	891-8992/005-507	1
6 m	891-8992/005-603	891-8992/005-605	891-8992/005-607	1
7 m	891-8992/005-703	891-8992/005-705	891-8992/005-707	1
8 m	891-8992/005-803	891-8992/005-805	891-8992/005-807	1



Connecting cable ▶ Socket - Free end ▶ Protection class: IP40				
Total length	Connector color/Strain relief color			PU
	gray/black	light green/black	pink/black	
1 m	891-8992/105-103	891-8992/105-105	891-8992/105-107	1
2 m	891-8992/105-203	891-8992/105-205	891-8992/105-207	1
3 m	891-8992/105-303	891-8992/105-305	891-8992/105-307	1
4 m	891-8992/105-403	891-8992/105-405	891-8992/105-407	1
5 m	891-8992/105-503	891-8992/105-505	891-8992/105-507	1
6 m	891-8992/105-603	891-8992/105-605	891-8992/105-607	1
7 m	891-8992/105-703	891-8992/105-705	891-8992/105-707	1
8 m	891-8992/105-803	891-8992/105-805	891-8992/105-807	1



Connecting cable ▶ Plug - Free end ▶ Protection class: IP20; IP40 when mated				
Total length	Connector color/Strain relief color			PU
	gray/black	light green/black	pink/black	
1 m	891-8992/205-103	891-8992/205-105	891-8992/205-107	1
2 m	891-8992/205-203	891-8992/205-205	891-8992/205-207	1
3 m	891-8992/205-303	891-8992/205-305	891-8992/205-307	1
4 m	891-8992/205-403	891-8992/205-405	891-8992/205-407	1
5 m	891-8992/205-503	891-8992/205-505	891-8992/205-507	1
6 m	891-8992/205-603	891-8992/205-605	891-8992/205-607	1
7 m	891-8992/205-703	891-8992/205-705	891-8992/205-707	1
8 m	891-8992/205-803	891-8992/205-805	891-8992/205-807	1

Accessories; for all products on this page



Locking lever; for flying leads; manually operated			
Color	Item No.	PU (SPU)	
● black	890-101	100 (50)	
○ white	890-121	100 (50)	



Locking lever; for flying leads; tool operated			
Color	Item No.	PU (SPU)	
● black	890-111	100 (50)	
○ white	890-131	100 (50)	



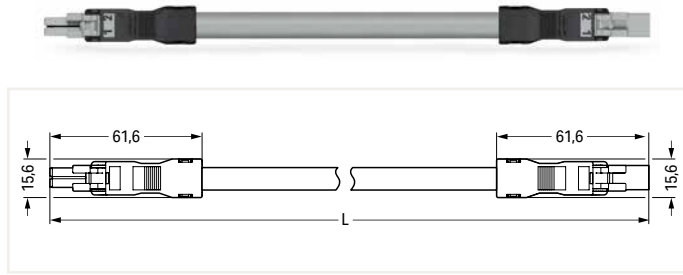
Mounting carrier; for flying leads; 2- to 5-pole			
Color	Item No.	PU	
● black	890-310	100	
○ white	890-311	100	

PU = Packaging Unit; SPU = Subpackaging Unit; Dimensions in mm

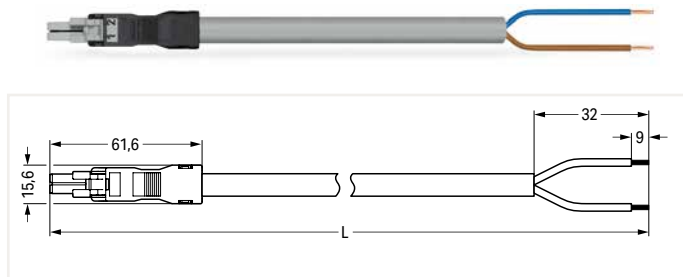
# Cable Assembly ▶ WINSTA® MINI ▶ 891 Series

Pole No.: 2 ▶ Fire class per EN 50575: E<sub>ca</sub> ▶ Coding: B ▶ 1.5 mm<sup>2</sup> ▶ Marking: 1 2 ▶ PVC ▶ Sheathed cable diameter: 6.8 ... 8.6 mm ▶ Control line 2 x 1.5 ▶ Measurement and regulation technology

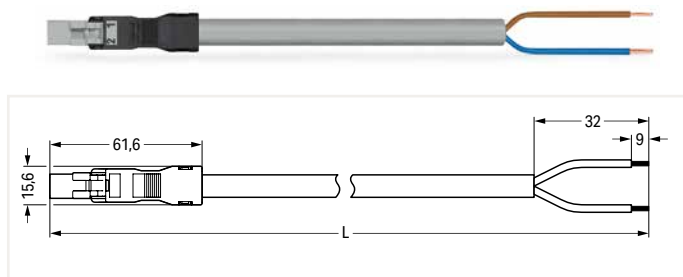
1



Interconnecting cable ▶ Socket - Plug ▶ Protection class: IP20; IP40 when mated				
Total length	Connector color/Strain relief color			PU
	gray/black	light green/black	pink/black	
1 m	891-8992/006-103	891-8992/006-105	891-8992/006-107	1
2 m	891-8992/006-203	891-8992/006-205	891-8992/006-207	1
3 m	891-8992/006-303	891-8992/006-305	891-8992/006-307	1
4 m	891-8992/006-403	891-8992/006-405	891-8992/006-407	1
5 m	891-8992/006-503	891-8992/006-505	891-8992/006-507	1
6 m	891-8992/006-603	891-8992/006-605	891-8992/006-607	1
7 m	891-8992/006-703	891-8992/006-705	891-8992/006-707	1
8 m	891-8992/006-803	891-8992/006-805	891-8992/006-807	1



Connecting cable ▶ Socket - Free end ▶ Protection class: IP40				
Total length	Connector color/Strain relief color			PU
	gray/black	light green/black	pink/black	
1 m	891-8992/106-103	891-8992/106-105	891-8992/106-107	1
2 m	891-8992/106-203	891-8992/106-205	891-8992/106-207	1
3 m	891-8992/106-303	891-8992/106-305	891-8992/106-307	1
4 m	891-8992/106-403	891-8992/106-405	891-8992/106-407	1
5 m	891-8992/106-503	891-8992/106-505	891-8992/106-507	1
6 m	891-8992/106-603	891-8992/106-605	891-8992/106-607	1
7 m	891-8992/106-703	891-8992/106-705	891-8992/106-707	1
8 m	891-8992/106-803	891-8992/106-805	891-8992/106-807	1



Connecting cable ▶ Plug - Free end ▶ Protection class: IP20; IP40 when mated				
Total length	Connector color/Strain relief color			PU
	gray/black	light green/black	pink/black	
1 m	891-8992/206-103	891-8992/206-105	891-8992/206-107	1
2 m	891-8992/206-203	891-8992/206-205	891-8992/206-207	1
3 m	891-8992/206-303	891-8992/206-305	891-8992/206-307	1
4 m	891-8992/206-403	891-8992/206-405	891-8992/206-407	1
5 m	891-8992/206-503	891-8992/206-505	891-8992/206-507	1
6 m	891-8992/206-603	891-8992/206-605	891-8992/206-607	1
7 m	891-8992/206-703	891-8992/206-705	891-8992/206-707	1
8 m	891-8992/206-803	891-8992/206-805	891-8992/206-807	1

Accessories; for all products on this page



Locking lever; for flying leads; manually operated		
Color	Item No.	PU (SPU)
● black	890-101	100 (50)
○ white	890-121	100 (50)



Locking lever; for flying leads; tool operated		
Color	Item No.	PU (SPU)
● black	890-111	100 (50)
○ white	890-131	100 (50)



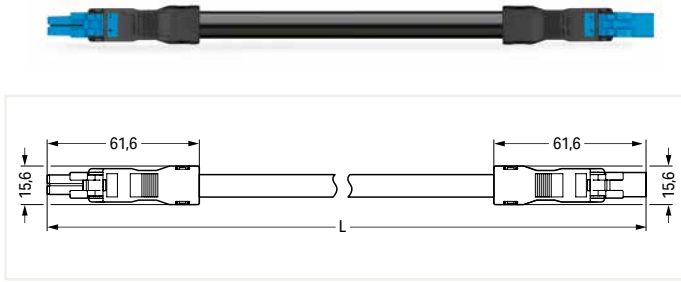
Mounting carrier; for flying leads; 2- to 5-pole		
Color	Item No.	PU
● black	890-310	100
○ white	890-311	100

PU = Packaging Unit; SPU = Subpackaging Unit; Dimensions in mm

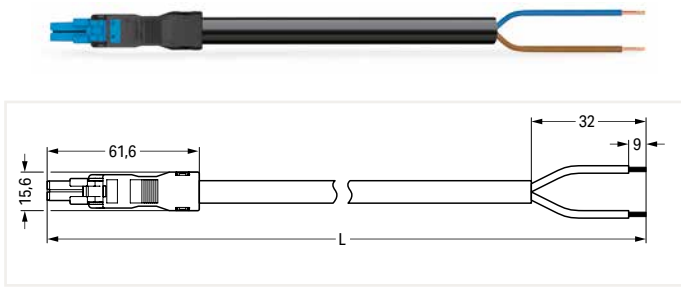


### Cable Assembly ▶ WINSTA® MINI ▶ 891 Series

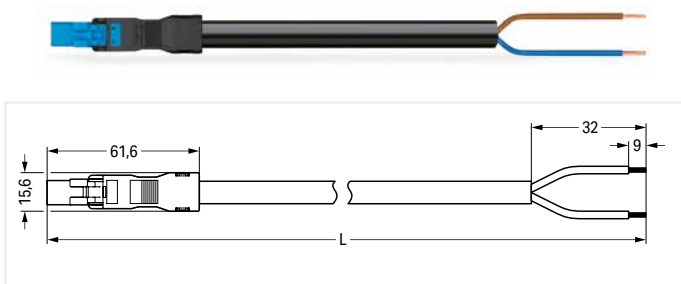
Pole No.: 2 ▶ Fire class per EN 50575: E<sub>ca</sub> ▶ Coding: I ▶ 1.5 mm<sup>2</sup> ▶ Marking: + - ▶ PVC ▶ Sheathed cable diameter: 6.8 ... 8.6 mm ▶ H05VV-F 2x1.5 ▶ DALI, Lighting Management



Interconnecting cable ▶ Socket - Plug ▶ Protection class: IP20; IP40 when mated			
Total length	Connector color/Strain relief color		PU
	blue/black	blue/white	
1 m	891-8982/006-101	891-8982/006-102	1
2 m	891-8982/006-201	891-8982/006-202	1
3 m	891-8982/006-301	891-8982/006-302	1
4 m	891-8982/006-401	891-8982/006-402	1
5 m	891-8982/006-501	891-8982/006-502	1
6 m	891-8982/006-601	891-8982/006-602	1
7 m	891-8982/006-701	891-8982/006-702	1
8 m	891-8982/006-801	891-8982/006-802	1



Connecting cable ▶ Socket - Free end ▶ Protection class: IP40			
Total length	Connector color/Strain relief color		PU
	blue/black	blue/white	
1 m	891-8982/106-101	891-8982/106-102	1
2 m	891-8982/106-201	891-8982/106-202	1
3 m	891-8982/106-301	891-8982/106-302	1
4 m	891-8982/106-401	891-8982/106-402	1
5 m	891-8982/106-501	891-8982/106-502	1
6 m	891-8982/106-601	891-8982/106-602	1
7 m	891-8982/106-701	891-8982/106-702	1
8 m	891-8982/106-801	891-8982/106-802	1



Connecting cable ▶ Plug - Free end ▶ Protection class: IP20; IP40 when mated			
Total length	Connector color/Strain relief color		PU
	blue/black	blue/white	
1 m	891-8982/206-101	891-8982/206-102	1
2 m	891-8982/206-201	891-8982/206-202	1
3 m	891-8982/206-301	891-8982/206-302	1
4 m	891-8982/206-401	891-8982/206-402	1
5 m	891-8982/206-501	891-8982/206-502	1
6 m	891-8982/206-601	891-8982/206-602	1
7 m	891-8982/206-701	891-8982/206-702	1
8 m	891-8982/206-801	891-8982/206-802	1

Accessories; for all products on this page



Locking lever; for flying leads; manually operated		
Color	Item No.	PU (SPU)
● black	890-101	100 (50)
○ white	890-121	100 (50)



Locking lever; for flying leads; tool operated		
Color	Item No.	PU (SPU)
● black	890-111	100 (50)
○ white	890-131	100 (50)



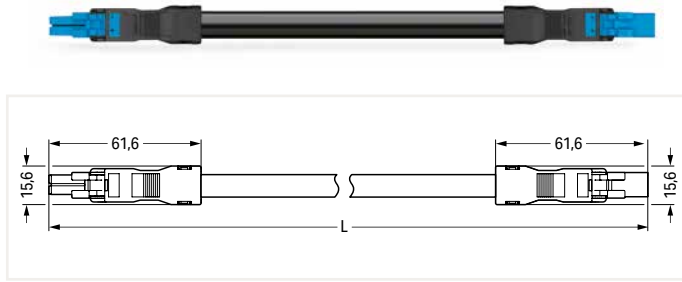
Mounting carrier; for flying leads; 2- to 5-pole		
Color	Item No.	PU
● black	890-310	100
○ white	890-311	100

PU = Packaging Unit; SPU = Subpackaging Unit; Dimensions in mm

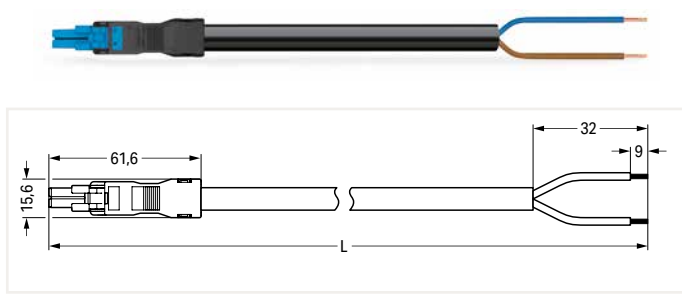
# Cable Assembly ▶ WINSTA® MINI ▶ 891 Series

Pole No.: 2 ▶ Fire class per EN 50575: E<sub>ca</sub> ▶ Coding: I ▶ 1.5 mm<sup>2</sup> ▶ Marking: + - ▶ Halogen-free ▶ Sheathed cable diameter: 6.8 ... 8.6 mm ▶ H05Z1Z1-F 2x1.5 ▶ DALI, Lighting Management

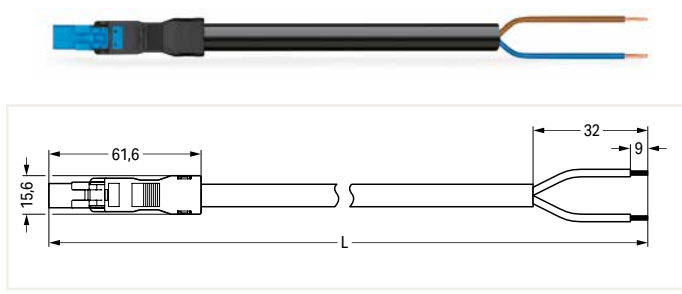
1



Interconnecting cable ▶ Socket - Plug ▶ Protection class: IP20; IP40 when mated			
Total length	Connector color/Strain relief color		PU
	blue/black	blue/white	
1 m	891-8982/016-101	891-8982/016-102	1
2 m	891-8982/016-201	891-8982/016-202	1
3 m	891-8982/016-301	891-8982/016-302	1
4 m	891-8982/016-401	891-8982/016-402	1
5 m	891-8982/016-501	891-8982/016-502	1
6 m	891-8982/016-601	891-8982/016-602	1
7 m	891-8982/016-701	891-8982/016-702	1
8 m	891-8982/016-801	891-8982/016-802	1



Connecting cable ▶ Socket - Free end ▶ Protection class: IP40			
Total length	Connector color/Strain relief color		PU
	blue/black	blue/white	
1 m	891-8982/116-101	891-8982/116-102	1
2 m	891-8982/116-201	891-8982/116-202	1
3 m	891-8982/116-301	891-8982/116-302	1
4 m	891-8982/116-401	891-8982/116-402	1
5 m	891-8982/116-501	891-8982/116-502	1
6 m	891-8982/116-601	891-8982/116-602	1
7 m	891-8982/116-701	891-8982/116-702	1
8 m	891-8982/116-801	891-8982/116-802	1



Connecting cable ▶ Plug - Free end ▶ Protection class: IP20; IP40 when mated			
Total length	Connector color/Strain relief color		PU
	blue/black	blue/white	
1 m	891-8982/216-101	891-8982/216-102	1
2 m	891-8982/216-201	891-8982/216-202	1
3 m	891-8982/216-301	891-8982/216-302	1
4 m	891-8982/216-401	891-8982/216-402	1
5 m	891-8982/216-501	891-8982/216-502	1
6 m	891-8982/216-601	891-8982/216-602	1
7 m	891-8982/216-701	891-8982/216-702	1
8 m	891-8982/216-801	891-8982/216-802	1

Accessories; for all products on this page



Locking lever; for flying leads; manually operated		
Color	Item No.	PU (SPU)
● black	890-101	100 (50)
○ white	890-121	100 (50)



Locking lever; for flying leads; tool operated		
Color	Item No.	PU (SPU)
● black	890-111	100 (50)
○ white	890-131	100 (50)



Mounting carrier; for flying leads; 2- to 5-pole		
Color	Item No.	PU
● black	890-310	100
○ white	890-311	100

PU = Packaging Unit; SPU = Subpackaging Unit; Dimensions in mm



## Pluggable Connector ▶ WINSTA® MINI ▶ 890 Series

Pole No.: 3

1



- Protected against mismatching and maintenance-free
- Push-in CAGE CLAMP® spring pressure connection technology allows solid conductors to be simply pushed into a unit
- Compact design with 4.4 mm pole spacing
- When assembled the installation connectors complies with IP40 and are suitable for easily accessible areas

### Electrical Data

Coding	A;B		
Ratings per	IEC/EN 60664-1		
Overvoltage category	III	III	II
Pollution degree	3	2	2
Rated voltage	250 V	-	-
Rated impulse voltage	4 kV	-	-
Rated current	16 A	-	-
Approbations per	UL 1977		
Rated voltage	600 V		
Rated current	14 A		

### Connection Data

Connection technology	Push-in CAGE CLAMP®
Strip length	9 mm / 0.35 inch
Nominal cross-section	1.5 mm <sup>2</sup>
Solid conductor	0.25 ... 1.5 mm <sup>2</sup> / 22 ... 16 AWG
Solid conductor; push-in termination	0.75 ... 1.5 mm <sup>2</sup> / 20 ... 16 AWG
Stranded conductor	0.25 ... 1 mm <sup>2</sup> / 22 ... 18 AWG
Fine-stranded conductor	0.25 ... 1.5 mm <sup>2</sup> / 22 ... 16 AWG
Fine-stranded conductor; with insulated ferrule	0.25 ... 0.75 mm <sup>2</sup> / 22 ... 20 AWG
Fine-stranded conductor; with uninsulated ferrule	0.25 ... 0.75 mm <sup>2</sup> / 22 ... 20 AWG
Fine-stranded conductor; with ferrule; push-in termination	0.75 mm <sup>2</sup> / 20 AWG

### Material Data

Insulation material	Polyamide (PA66)
Clamping spring material	Chrome nickel spring steel (CrNi)
Contact material	Copper or copper alloy (surface-treated)

### Mechanical Data

Number of mating cycles	200, without resistive load
Mating force of a plug-in connection	approx. 20 ... 70 N (depending on pole number)
Unmating force of a plug-in connection	Unlocked: approx. 20 ... 70 N (depending on pole number)
Retention force of a plug-in connection	Locked: > 80 N

### Environmental Requirements

Processing temperature	-5 ... +40 °C
Continuous operating temperature	-35 ... +85 °C
Note on continuous operating temperature	Insulating parts for temperatures ≤ 105 °C

All WINSTA® components are 100% protected against mismatching when:

- plugging different numbers of poles
- plugging while rotated 180°
- plugging while laterally staggered
- plugging one pole

Shield termination [Page 375](#)

Tool [Page 400](#)

See technical section for further information

For approvals and corresponding ratings, visit [www.wago.com](http://www.wago.com)

# Pluggable Connector ▶ WINSTA® MINI ▶ 890 Series

## Pole No.: 3

Strain relief housing ▶ Female connector/socket ▶ Strip length (outer insulation): 40 mm ▶ Connectable sheathed cable diameter: 4.5 ... 10 mm ▶ Protection class: IP40

Strain relief housing ▶ Male connector/plug ▶ Strip length (outer insulation): 40 mm ▶ Connectable sheathed cable diameter: 4.5 ... 10 mm ▶ Protection class: IP40



890-103



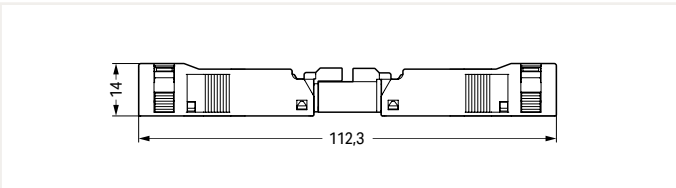
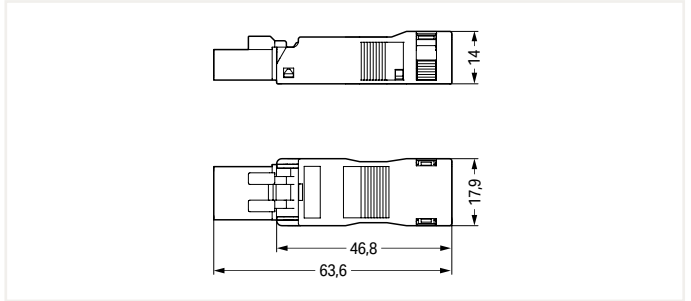
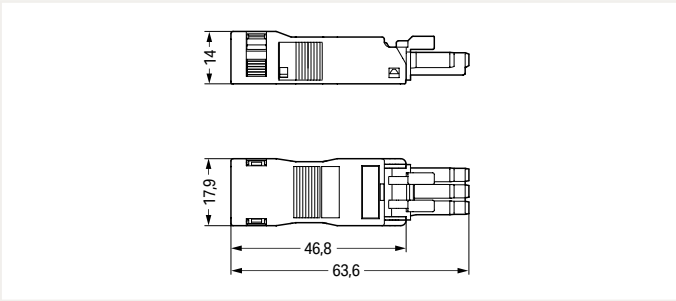
890-113

**General mains applications**

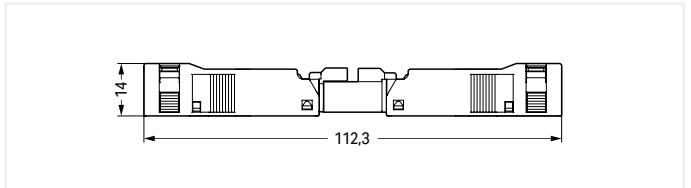
Color	Coding	Marking	Item No.	PU
● black	A	L ⊕ N	890-103	50
○ white	A	L ⊕ N	890-123	50

**General mains applications**

Color	Coding	Marking	Item No.	PU
● black	A	L ⊕ N	890-113	50
○ white	A	L ⊕ N	890-133	50



Overall length when mated



Overall length when mated

**Accessories; for all products on this page**



Locking lever; for flying leads; manually operated

Color	Item No.	PU (SPU)
● black	890-101	100 (50)
○ white	890-121	100 (50)



Locking lever; for flying leads; tool operated

Color	Item No.	PU (SPU)
● black	890-111	100 (50)
○ white	890-131	100 (50)



Mounting carrier; for flying leads; 2- to 5-pole

Color	Item No.	PU
● black	890-310	100
○ white	890-311	100



Operating tool; for WAGO WINSTA® MINI Connectors; Pole No.: 3

Color	Item No.	PU
● green	890-383	1

PU = Packaging Unit; SPU = Subpackaging Unit; Dimensions in mm



# Pluggable Connector ▶ WINSTA® MINI ▶ 890 Series

## Pole No.: 3

Female connector/socket ▶ Protection class: IP20; IP40 with strain relief housing

Male connector/plug ▶ Protection class: IP20; IP40 when mated with strain relief housing



890-203



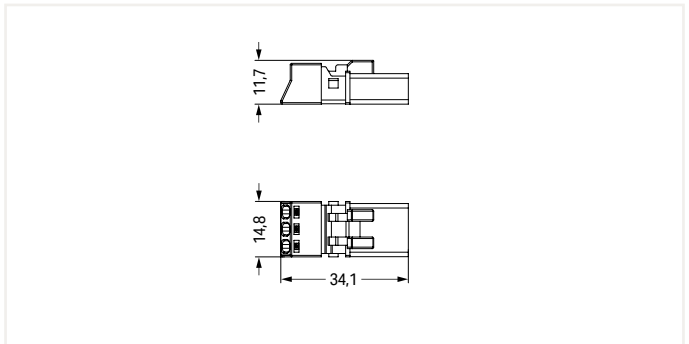
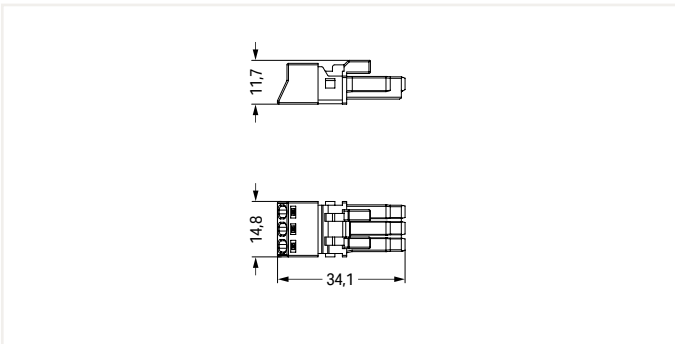
890-213

General mains applications				
Color	Coding	Marking	Item No.	PU
● black	A	L ⊕ N	890-203	50
○ white	A	L ⊕ N	890-223	50

General mains applications				
Color	Coding	Marking	Item No.	PU
● black	A	L ⊕ N	890-213	50
○ white	A	L ⊕ N	890-233	50

Measurement and regulation technology				
Color	Coding	Marking	Item No.	PU
● gray	B	1 2 3	890-243	50
● gray	B	L ⊕ N	890-243/060-000	50
● gray	B	2 ⊕ 1	890-243/062-000	50
● light green	B	1 2 3	890-263	50
● light green	B	U+ X/Y U-	890-263/071-000	50
● light green	B	1 ⊕ 2	890-263/073-000	50
● pink	B	1 2 3	890-283	50
● pink	B	1 2 5	890-283/081-000	50
● pink	B	+ S -	890-283/082-000	50

Measurement and regulation technology				
Color	Coding	Marking	Item No.	PU
● gray	B	1 2 3	890-253	50
● gray	B	L ⊕ N	890-253/060-000	50
● gray	B	2 ⊕ 1	890-253/062-000	50
● light green	B	1 2 3	890-273	50
● light green	B	U+ X/Y U-	890-273/071-000	50
● light green	B	1 ⊕ 2	890-273/073-000	50
● pink	B	1 2 3	890-293	50
● pink	B	1 2 5	890-293/081-000	50
● pink	B	+ S -	890-293/082-000	50



### Accessories; for all products on this page



Locking lever; for flying leads; manually operated		
Color	Item No.	PU (SPU)
● black	890-101	100 (50)
○ white	890-121	100 (50)



Locking lever; for flying leads; tool operated		
Color	Item No.	PU (SPU)
● black	890-111	100 (50)
○ white	890-131	100 (50)



Mounting carrier; for flying leads; 2- to 5-pole		
Color	Item No.	PU
● black	890-310	100
○ white	890-311	100



Operating tool; for WAGO WINSTA® MINI Connectors; Pole No.: 3		
Color	Item No.	PU
● green	890-383	1



Strain relief housing; Connectable sheathed cable diameter: 4.5 ... 10 mm; Strip length (outer insulation): 40 mm		
Color	Item No.	PU
● black	890-503	50
○ white	890-513	50

PU = Packaging Unit; SPU = Subpackaging Unit; Dimensions in mm



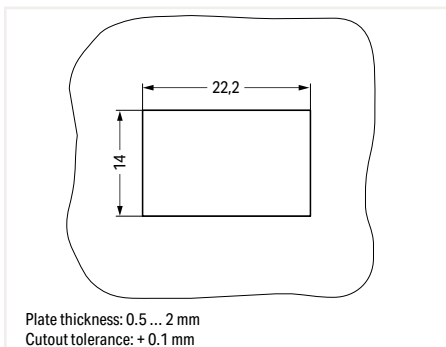
## Snap-in Device Connector ▶ WINSTA® MINI ▶ 890 Series

Pole No.: 3

1



- Protected against mismatching and maintenance-free
- Push-in CAGE CLAMP® spring pressure connection technology allows solid conductors to be simply pushed into a unit.
- Low profile with 4.4 mm pole spacing
- When assembled, the installation connectors comply with IP40 and are suitable for easily accessible areas.



Electrical Data			
Coding	A;B		
Ratings per	IEC/EN 60664-1		
Overvoltage category	III	III	II
Pollution degree	3	2	2
Rated voltage	250 V	-	-
Rated impulse voltage	4 kV	-	-
Rated current	16 A	-	-
Approbations per	UL 1977		
Rated voltage	600 V		
Rated current	14 A		

Connection Data	
Connection technology	Push-in CAGE CLAMP®
Strip length	9 mm / 0.35 inch
Nominal cross-section	1.5 mm <sup>2</sup>
Solid conductor	0.25 ... 1.5 mm <sup>2</sup> / 22 ... 16 AWG
Solid conductor; push-in termination	0.75 ... 1.5 mm <sup>2</sup> / 20 ... 16 AWG
Stranded conductor	0.25 ... 1 mm <sup>2</sup> / 22 ... 18 AWG
Fine-stranded conductor	0.25 ... 1.5 mm <sup>2</sup> / 22 ... 16 AWG
Fine-stranded conductor; with insulated ferrule	0.25 ... 0.75 mm <sup>2</sup> / 22 ... 20 AWG
Fine-stranded conductor; with uninsulated ferrule	0.25 ... 0.75 mm <sup>2</sup> / 22 ... 20 AWG
Fine-stranded conductor; with ferrule; push-in termination	0.75 mm <sup>2</sup> / 20 AWG

Material Data	
Insulation material	Polyamide (PA66)
Clamping spring material	Chrome nickel spring steel (CrNi)
Contact material	Copper or copper alloy (surface-treated)

Mechanical Data	
Number of mating cycles	200, without resistive load
Mating force of a plug-in connection	approx. 20 ... 70 N (depending on pole number)
Unmating force of a plug-in connection	Unlocked: approx. 20 ... 70 N (depending on pole number)
Retention force of a plug-in connection	Locked: > 80 N

Environmental Requirements	
Processing temperature	-5 ... +40 °C
Continuous operating temperature	-35 ... +85 °C
Note on continuous operating temperature	Insulating parts for temperatures ≤ 105 °C

All WINSTA® components are 100% protected against mismatching when:

- a.) plugging different numbers of poles
- b.) plugging while rotated 180
- c.) plugging while laterally staggered
- d.) plugging one pole

Tool Page 400

See technical section for further information

For approvals and corresponding ratings, visit [www.wago.com](http://www.wago.com)

# Snap-in Device Connector ▶ WINSTA® MINI ▶ 890 Series

## Pole No.: 3

Female connector/socket ▶ Protection class: IP40

Male connector/plug ▶ Protection class: IP20; IP40 when mated



890-703



890-713

**General mains applications**

Color	Coding	Marking	Item No.	PU (SPU)
● black	A	L ⊕ N	890-703	50 (50)
○ white	A	L ⊕ N	890-723	50 (50)

**General mains applications**

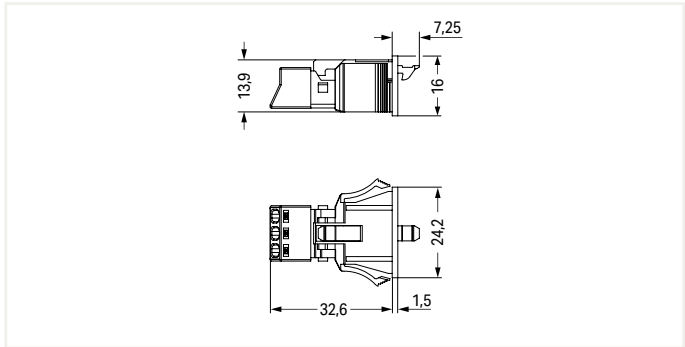
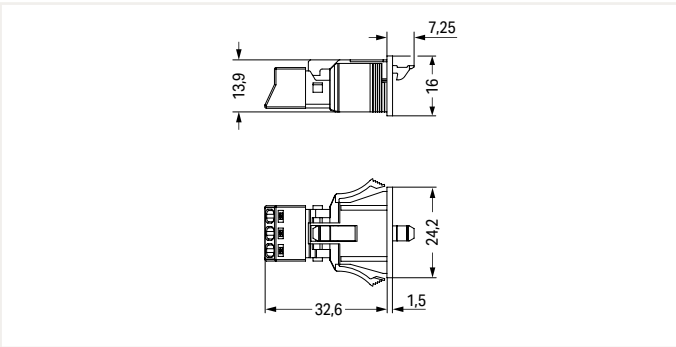
Color	Coding	Marking	Item No.	PU (SPU)
● black	A	L ⊕ N	890-713	50 (50)
○ white	A	L ⊕ N	890-733	50 (50)

**Measurement and regulation technology**

Color	Coding	Marking	Item No.	PU (SPU)
● gray	B	1 2 3	890-743	50 (50)
● gray	B	L ⊕ N	890-743/060-000	50 (50)
● gray	B	2 ⊕ 1	890-743/062-000	50 (50)
● light green	B	1 2 3	890-763	50 (50)
● light green	B	U+ X/Y U-	890-763/071-000	50 (50)
● light green	B	1 ⊕ 2	890-763/073-000	50 (50)
● pink	B	1 2 3	890-783	50 (50)
● pink	B	1 2 5	890-783/081-000	50 (50)
● pink	B	+ S -	890-783/082-000	50 (50)

**Measurement and regulation technology**

Color	Coding	Marking	Item No.	PU (SPU)
● gray	B	1 2 3	890-753	50 (50)
● gray	B	L ⊕ N	890-753/060-000	50 (50)
● gray	B	2 ⊕ 1	890-753/062-000	50 (50)
● light green	B	1 2 3	890-773	50 (50)
● light green	B	U+ X/Y U-	890-773/071-000	50 (50)
● light green	B	1 ⊕ 2	890-773/073-000	50 (50)
● pink	B	1 2 3	890-793	50 (50)
● pink	B	1 2 5	890-793/081-000	50 (50)
● pink	B	+ S -	890-793/082-000	50 (50)



**Accessories; for all products on this page**



Operating tool; for WAGO WINSTA® MINI Connectors;  
Pole No.: 3

Color	Item No.	PU
● green	890-383	1



Lockout cap; for cutout; Pole No.: 3

Color	Item No.	PU
● black	890-643	100
○ white	890-693	100

PU = Packaging Unit; SPU = Subpackaging Unit; Dimensions in mm

## Pluggable PCB Connector ▶ WINSTA® MINI ▶ 890 Series

Pole No.: 3

1



- Protected against mismatching and maintenance-free
- Push-in CAGE CLAMP® spring pressure connection technology allows solid conductors to be simply pushed into a unit.
- Low profile with 4.4 mm pole spacing

### Electrical Data

Coding	A;B		
Ratings per	IEC/EN 60664-1		
Overvoltage category	III	III	II
Pollution degree	3	2	2
Rated voltage	250 V	-	-
Rated impulse voltage	4 kV	-	-
Rated current	16 A	-	-
Approbations per	UL 1977		
Rated voltage	600 V		
Rated current	14 A		

### Material Data

Insulation material	Polyamide (PA66)
Clamping spring material	Chrome nickel spring steel (CrNi)
Contact material	Copper or copper alloy (surface-treated)

### Mechanical Data

Solder pin arrangement	2 in-line solder pins/pole
Solder pin length	3.5 mm
Solder pin dimensions	1 x 0.8 mm
Drilled hole diameter with tolerance	1.3 <sup>(+0.1)</sup> mm
Mating force of a plug-in connection	approx. 20 ... 70 N (depending on pole number)
Unmating force of a plug-in connection	Unlocked: approx. 20 ... 70 N (depending on pole number)
Retention force of a plug-in connection	Locked: > 80 N

### Environmental Requirements

Processing temperature	-5 ... +40 °C
Continuous operating temperature	-35 ... +85 °C
Note on continuous operating temperature	Insulating parts for temperatures ≤ 105 °C

All WINSTA® components are 100% protected against mismatching when:

- plugging different numbers of poles
- plugging while rotated 180
- plugging while laterally staggered
- plugging one pole

See technical section for further information

For approvals and corresponding ratings, visit [www.wago.com](http://www.wago.com)



# Pluggable PCB Connector ▶ WINSTA® MINI ▶ 890 Series

## Pole No.: 3

straight ▶ Female connector/socket

straight ▶ Male connector/plug



890-803

890-813

**General mains applications**

Color	Coding	Marking	Item No.	PU
● black	A	L ⊕ N	890-803	100
○ white	A	L ⊕ N	890-823	100

**General mains applications**

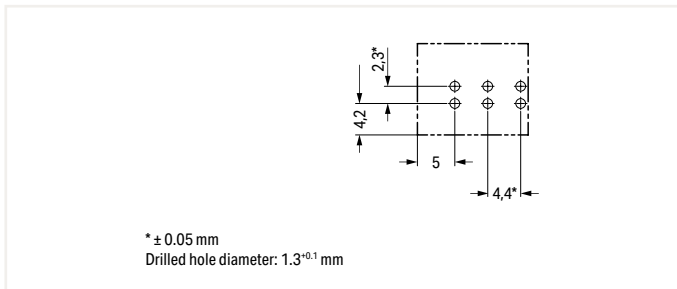
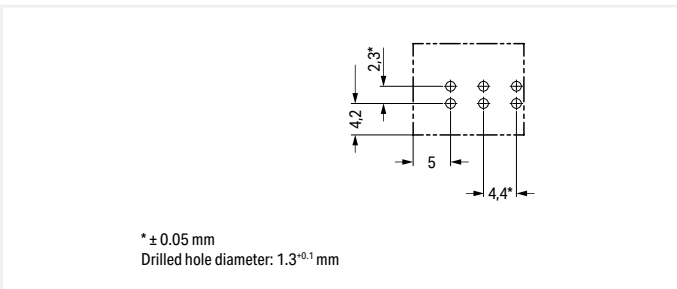
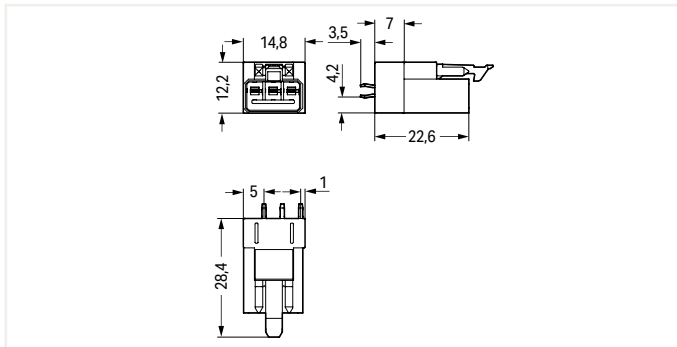
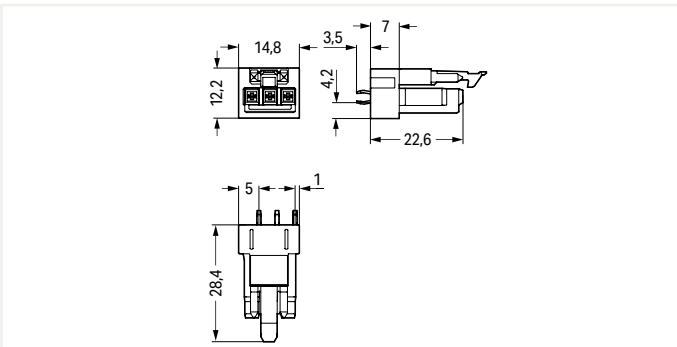
Color	Coding	Marking	Item No.	PU
● black	A	L ⊕ N	890-813	100
○ white	A	L ⊕ N	890-833	100

**Measurement and regulation technology**

Color	Coding	Marking	Item No.	PU
● gray	B	1 2 3	890-843	100
● light green	B	1 2 3	890-863	100
● pink	B	1 2 3	890-883	100

**Measurement and regulation technology**

Color	Coding	Marking	Item No.	PU
● gray	B	1 2 3	890-853	100
● light green	B	1 2 3	890-873	100
● pink	B	1 2 3	890-893	100



# Pluggable PCB Connector ▶ WINSTA® MINI ▶ 890 Series

Pole No.: 3

angled ▶ Female connector/socket

angled ▶ Male connector/plug

1



890-803/011-000

890-813/011-000

**General mains applications**

Color	Coding	Marking	Item No.	PU
● black	A	L ⊕ N	890-803/011-000	100
○ white	A	L ⊕ N	890-823/011-000	100

**General mains applications**

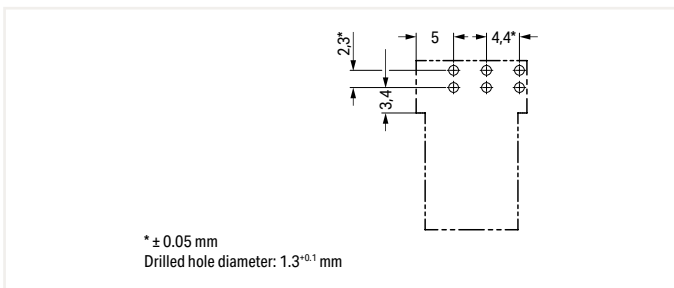
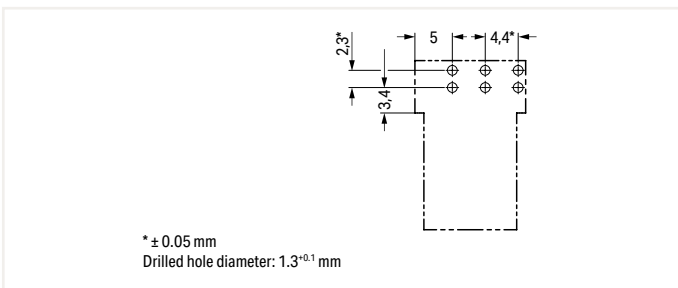
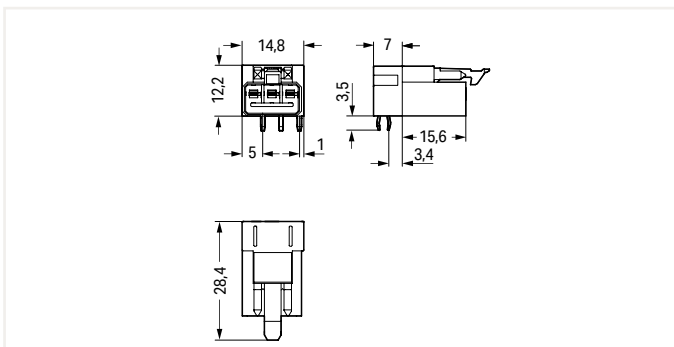
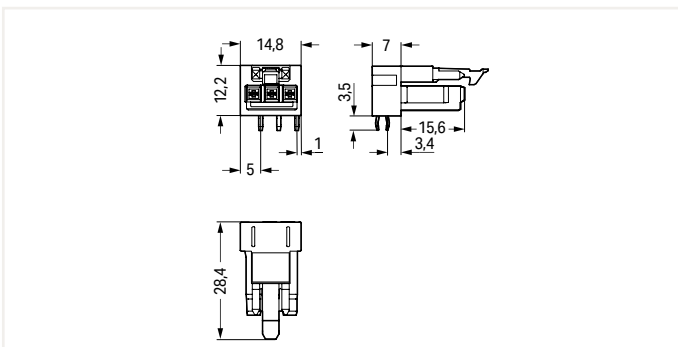
Color	Coding	Marking	Item No.	PU
● black	A	L ⊕ N	890-813/011-000	100
○ white	A	L ⊕ N	890-833/011-000	100

**Measurement and regulation technology**

Color	Coding	Marking	Item No.	PU
● gray	B	1 2 3	890-843/011-000	100
● light green	B	1 2 3	890-863/011-000	100
● pink	B	1 2 3	890-883/011-000	100

**Measurement and regulation technology**

Color	Coding	Marking	Item No.	PU
● gray	B	1 2 3	890-853/011-000	100
● light green	B	1 2 3	890-873/011-000	100
● pink	B	1 2 3	890-893/011-000	100





## Distribution Connector ▶ WINSTA® MINI ▶ 890 Series

### Pole No.: 3 ▶ Protection class: IP20; IP40 when mated

1



- Protected against mismatching and maintenance-free
- Low profile with 4.4 mm pole spacing

Electrical Data			
Coding	A;B		
Ratings per	IEC/EN 60664-1		
Overvoltage category	III	III	II
Pollution degree	3	2	2
Rated voltage	250 V	-	-
Rated impulse voltage	4 kV	-	-
Rated current	16 A	-	-
Approbations per	UL 1977		
Rated voltage	600 V		
Rated current	14 A		
Material Data			
Insulation material	Polyamide (PA66)		
Contact material	Copper or copper alloy (surface-treated)		
Mechanical Data			
Number of mating cycles	200, without resistive load		
Mating force of a plug-in connection	Approx. 20 ... 70 N (depending on pole number)		
Unmating force of a plug-in connection	Unlocked: approx. 20 ... 70 N (depending on pole number)		
Retention force of a plug-in connection	When locked: > 80 N		
Protection type	IP20		
Note on protection type	IP40 when mated		
Environmental Requirements			
Processing temperature	-5 ... +40 °C		
Continuous operating temperature	-35 ... +85 °C		
Note on continuous operating temperature	Insulating parts for temperatures ≤ 105 °C		

All WINSTA® components are 100% protected against mismatching when:

- plugging different numbers of poles
- plugging while rotated 180
- plugging while laterally staggered
- plugging one pole

At least one snap-in connector **without** a locking lever is required on one side when connecting two lights directly via intermediate coupler.

See technical section for further information

For approvals and corresponding ratings, visit [www.wago.com](http://www.wago.com)

# Distribution Connector ▶ WINSTA® MINI ▶ 890 Series

Pole No.: 3 ▶ Protection class: IP20; IP40 when mated

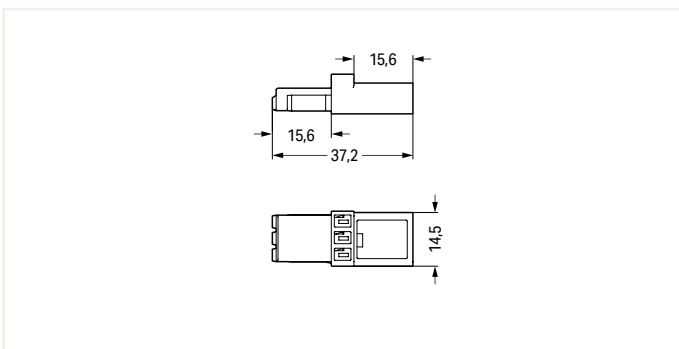
Intermediate coupler



890-603

General mains applications

Color	Coding	com_Aufdruck	Item No.	PU
● black	A		890-603	50
○ white	A		890-653	50



1



# Distribution Connector ▶ WINSTA® MINI ▶ 890 Series

Pole No.: 3 ▶ Protection class: IP20; IP40 when mated

T-distribution connector ▶ Number of locking levers: 2

T-distribution connector ▶ Number of locking levers: 3 ▶ for flying leads

1



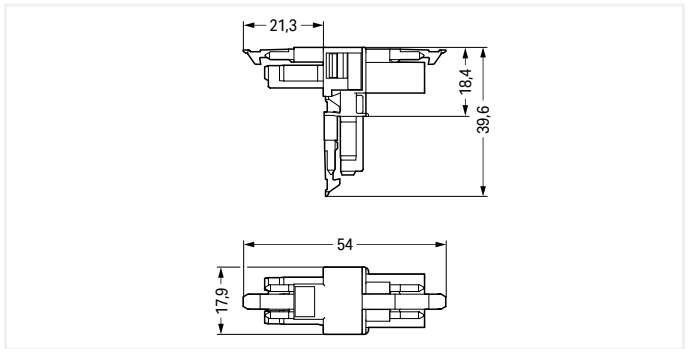
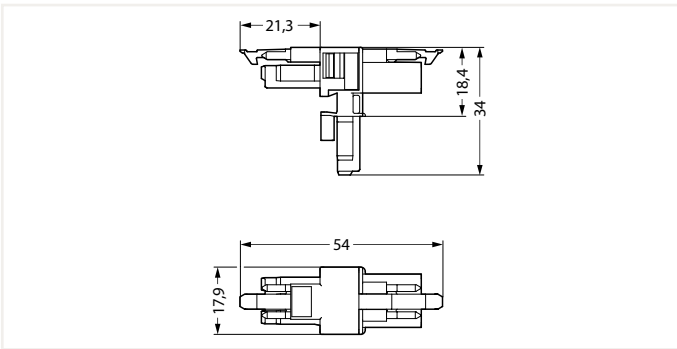
890-606



890-606

General mains applications				
Color	Coding	Marking	Item No.	PU
● black	A	L ⊕ N	890-606	25
○ white	A	L ⊕ N	890-656	25

General mains applications				
Color	Coding	Marking	Item No.	PU
● black	A	L ⊕ N	890-615	25
○ white	A	L ⊕ N	890-665	25



PU = Packaging Unit; SPU = Subpackaging Unit; Dimensions in mm

# Distribution Connector ▶ WINSTA® MINI ▶ 890 Series

## Pole No.: 3 ▶ Protection class: IP20; IP40 when mated

h-distribution connector (unidirectional) ▶ Number of locking levers: 2

h-distribution connector (unidirectional) ▶ Number of locking levers: 3 ▶ for flying leads



890-634



890-634

**General mains applications**

Color	Coding	Marking	Item No.	PU
● black	A	L ⊕ N	890-634	50
○ white	A	L ⊕ N	890-684	50

**General mains applications**

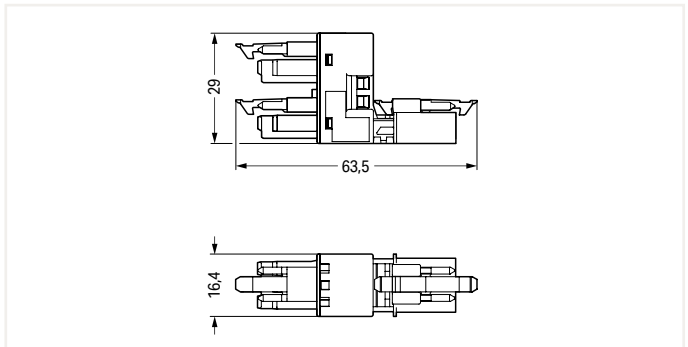
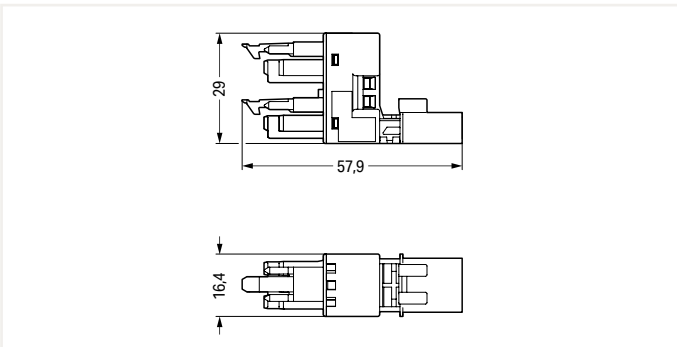
Color	Coding	Marking	Item No.	PU
● black	A	L ⊕ N	890-636	50
○ white	A	L ⊕ N	890-686	50

**Measurement and regulation technology**

Color	Coding	Marking	Item No.	PU
● gray	B	1 2 3	890-1661	50
● light green	B	1 2 3	890-1662	50
● pink	B	1 2 3	890-1663	50

**Measurement and regulation technology**

Color	Coding	Marking	Item No.	PU
● gray	B	1 2 3	890-1761	50
● light green	B	1 2 3	890-1762	50
● pink	B	1 2 3	890-1763	50



**Accessories; for all products on this page**



Mounting plate; for distribution connectors (except T-distribution connectors); 3-pole

Color	Item No.	PU
● black	890-623	50
○ white	890-673	50

PU = Packaging Unit; SPU = Subpackaging Unit; Dimensions in mm

## Cable Assembly ▶ WINSTA® MINI ▶ 891 Series

Pole No.: 3 ▶ Fire class per EN 50575: E<sub>ca</sub>

1



- Protected against mismatching and maintenance-free
- Low profile with 4.4 mm pole spacing

Electrical Data						
Coding	A;B			A;B		
Ratings per	IEC/EN 60664-1			IEC/EN 60664-1		
Overvoltage category	III	III	II	III	III	II
Pollution degree	3	2	2	3	2	2
Rated voltage	250 V	-	-	250 V	-	-
Rated impulse voltage	4 kV	-	-	4 kV	-	-
Rated current	10 A	-	-	16 A	-	-

Material Data	
Insulation material	Polyamide (PA66)
Contact material	Copper or copper alloy (surface-treated)
Fire class per EN 50575	E <sub>ca</sub>

Mechanical Data	
Number of mating cycles	200, without resistive load
Mating force of a plug-in connection	approx. 20 ... 70 N (depending on pole number)
Unmating force of a plug-in connection	when unlocked: approx. 20 ... 70 N (depending on pole number)
Retention force of a plug-in connection	when locked: > 80N

Environmental Requirements	
Processing temperature	-5 ... +40 °C
Continuous operating temperature	-35 ... +85 °C
Note on continuous operating temperature	PVC cable for temperatures ≤ 70 °C (including halogen-free) Insulating parts for temperatures ≤ 105 °C

All WINSTA® components are 100% protected against mismatching when:

- a.) plugging different numbers of poles
- b.) plugging while rotated 180
- c.) plugging while laterally staggered
- d.) plugging one pole

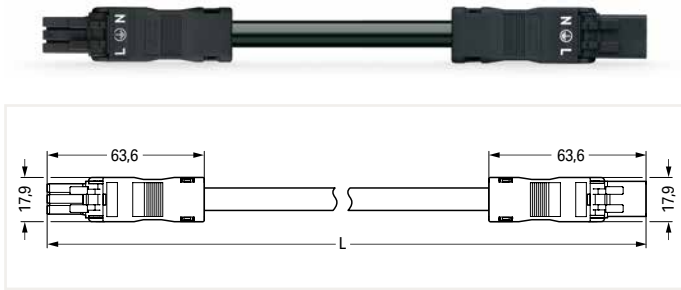
Cables with a different fire class can be found in the eShop.

See technical section for further information

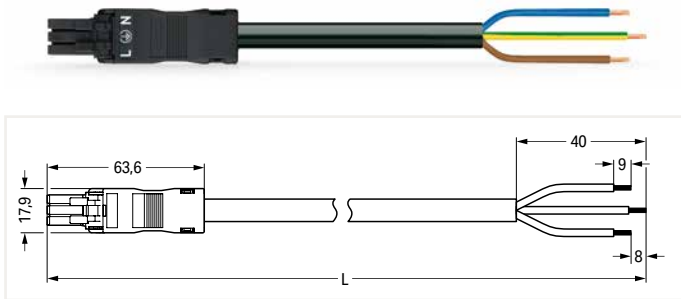
For approvals and corresponding ratings, visit [www.wago.com](http://www.wago.com)

### Cable Assembly ▶ WINSTA® MINI ▶ 891 Series

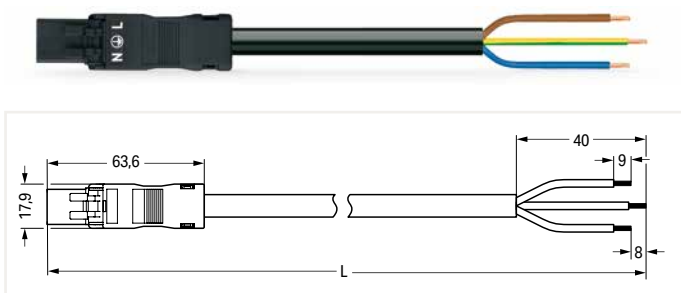
Pole No.: 3 ▶ Fire class per EN 50575: E<sub>ca</sub> ▶ Coding: A ▶ 1 mm<sup>2</sup> ▶ Marking: L ⊕ N ▶ PVC ▶ Sheathed cable diameter: 6.3 ... 8 mm ▶ H05VV-F 3G1 ▶ General mains applications



Interconnecting cable ▶ Socket - Plug ▶ Protection class: IP20; IP40 when mated			
Total length	Connector color/Strain relief color		PU
	black/black	white/white	
1 m	891-8993/005-101	891-8993/005-102	1
2 m	891-8993/005-201	891-8993/005-202	1
3 m	891-8993/005-301	891-8993/005-302	1
4 m	891-8993/005-401	891-8993/005-402	1
5 m	891-8993/005-501	891-8993/005-502	1
6 m	891-8993/005-601	891-8993/005-602	1
7 m	891-8993/005-701	891-8993/005-702	1
8 m	891-8993/005-801	891-8993/005-802	1



Connecting cable ▶ Socket - Free end ▶ Protection class: IP40			
Total length	Connector color/Strain relief color		PU
	black/black	white/white	
1 m	891-8993/105-101	891-8993/105-102	1
2 m	891-8993/105-201	891-8993/105-202	1
3 m	891-8993/105-301	891-8993/105-302	1
4 m	891-8993/105-401	891-8993/105-402	1
5 m	891-8993/105-501	891-8993/105-502	1
6 m	891-8993/105-601	891-8993/105-602	1
7 m	891-8993/105-701	891-8993/105-702	1
8 m	891-8993/105-801	891-8993/105-802	1



Connecting cable ▶ Plug - Free end ▶ Protection class: IP20; IP40 when mated			
Total length	Connector color/Strain relief color		PU
	black/black	white/white	
1 m	891-8993/205-101	891-8993/205-102	1
2 m	891-8993/205-201	891-8993/205-202	1
3 m	891-8993/205-301	891-8993/205-302	1
4 m	891-8993/205-401	891-8993/205-402	1
5 m	891-8993/205-501	891-8993/205-502	1
6 m	891-8993/205-601	891-8993/205-602	1
7 m	891-8993/205-701	891-8993/205-702	1
8 m	891-8993/205-801	891-8993/205-802	1

Accessories; for all products on this page



Locking lever; for flying leads; manually operated		
Color	Item No.	PU (SPU)
● black	890-101	100 (50)
○ white	890-121	100 (50)



Locking lever; for flying leads; tool operated		
Color	Item No.	PU (SPU)
● black	890-111	100 (50)
○ white	890-131	100 (50)



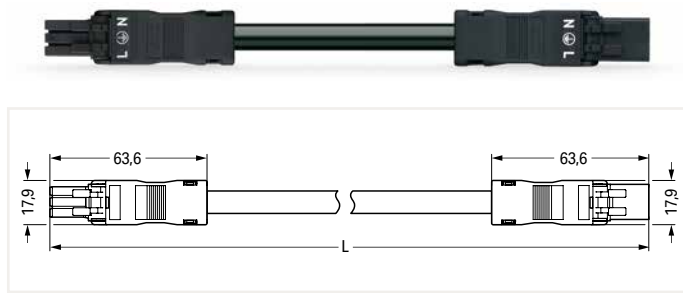
Mounting carrier; for flying leads; 2- to 5-pole		
Color	Item No.	PU
● black	890-310	100
○ white	890-311	100

PU = Packaging Unit; SPU = Subpackaging Unit; Dimensions in mm

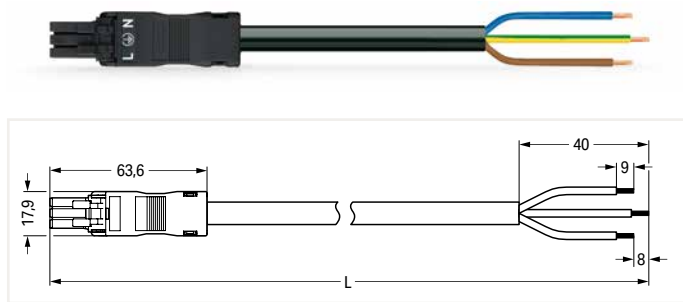
# Cable Assembly ▶ WINSTA® MINI ▶ 891 Series

Pole No.: 3 ▶ Fire class per EN 50575: E<sub>ca</sub> ▶ Coding: A ▶ 1 mm<sup>2</sup> ▶ Marking: L ⊕ N ▶ Halogen-free ▶ Sheathed cable diameter: 6.3 ... 8 mm ▶ H05Z1Z1-F 3G1 ▶ General mains applications

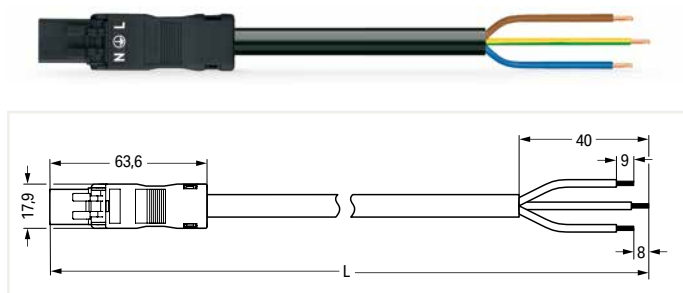
1



Interconnecting cable ▶ Socket - Plug ▶ Protection class: IP20; IP40 when mated			
Total length	Connector color/Strain relief color		PU
	black/black	white/white	
1 m	891-8993/015-101	891-8993/015-102	1
2 m	891-8993/015-201	891-8993/015-202	1
3 m	891-8993/015-301	891-8993/015-302	1
4 m	891-8993/015-401	891-8993/015-402	1
5 m	891-8993/015-501	891-8993/015-502	1
6 m	891-8993/015-601	891-8993/015-602	1
7 m	891-8993/015-701	891-8993/015-702	1
8 m	891-8993/015-801	891-8993/015-802	1



Connecting cable ▶ Socket - Free end ▶ Protection class: IP40			
Total length	Connector color/Strain relief color		PU
	black/black	white/white	
1 m	891-8993/115-101	891-8993/115-102	1
2 m	891-8993/115-201	891-8993/115-202	1
3 m	891-8993/115-301	891-8993/115-302	1
4 m	891-8993/115-401	891-8993/115-402	1
5 m	891-8993/115-501	891-8993/115-502	1
6 m	891-8993/115-601	891-8993/115-602	1
7 m	891-8993/115-701	891-8993/115-702	1
8 m	891-8993/115-801	891-8993/115-802	1



Connecting cable ▶ Plug - Free end ▶ Protection class: IP20; IP40 when mated			
Total length	Connector color/Strain relief color		PU
	black/black	white/white	
1 m	891-8993/215-101	891-8993/215-102	1
2 m	891-8993/215-201	891-8993/215-202	1
3 m	891-8993/215-301	891-8993/215-302	1
4 m	891-8993/215-401	891-8993/215-402	1
5 m	891-8993/215-501	891-8993/215-502	1
6 m	891-8993/215-601	891-8993/215-602	1
7 m	891-8993/215-701	891-8993/215-702	1
8 m	891-8993/215-801	891-8993/215-802	1

Accessories; for all products on this page



Locking lever; for flying leads; manually operated		
Color	Item No.	PU (SPU)
● black	890-101	100 (50)
○ white	890-121	100 (50)

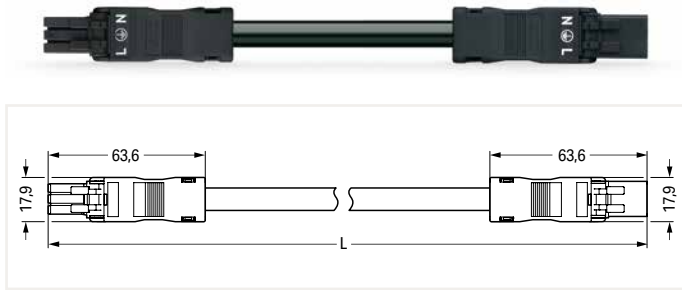
Locking lever; for flying leads; tool operated		
Color	Item No.	PU (SPU)
● black	890-111	100 (50)
○ white	890-131	100 (50)

Mounting carrier; for flying leads; 2- to 5-pole		
Color	Item No.	PU
● black	890-310	100
○ white	890-311	100

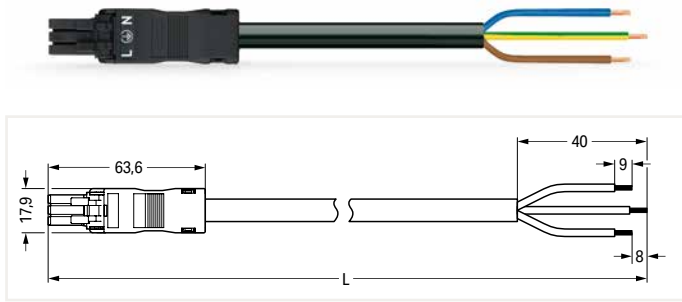
PU = Packaging Unit; SPU = Subpackaging Unit; Dimensions in mm

### Cable Assembly ▶ WINSTA® MINI ▶ 891 Series

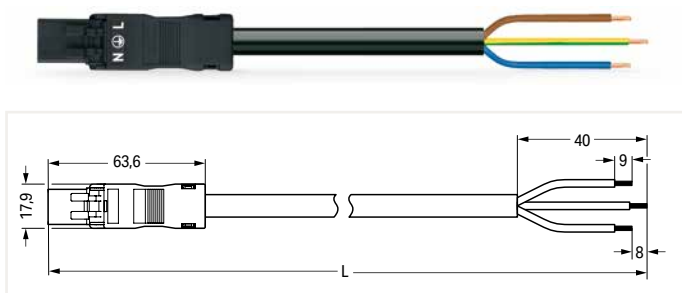
Pole No.: 3 ▶ Fire class per EN 50575: E<sub>ca</sub> ▶ Coding: A ▶ 1.5 mm<sup>2</sup> ▶ Marking: L ⊕ N ▶ PVC ▶ Sheathed cable diameter: 7.4 ... 9.4 mm ▶ H05VV-F 3G1.5 ▶ General mains applications



Interconnecting cable ▶ Socket - Plug ▶ Protection class: IP20; IP40 when mated			
Total length	Connector color/Strain relief color		PU
	black/black	white/white	
1 m	891-8993/006-101	891-8993/006-102	1
2 m	891-8993/006-201	891-8993/006-202	1
3 m	891-8993/006-301	891-8993/006-302	1
4 m	891-8993/006-401	891-8993/006-402	1
5 m	891-8993/006-501	891-8993/006-502	1
6 m	891-8993/006-601	891-8993/006-602	1
7 m	891-8993/006-701	891-8993/006-702	1
8 m	891-8993/006-801	891-8993/006-802	1



Connecting cable ▶ Socket - Free end ▶ Protection class: IP40			
Total length	Connector color/Strain relief color		PU
	black/black	white/white	
1 m	891-8993/106-101	891-8993/106-102	1
2 m	891-8993/106-201	891-8993/106-202	1
3 m	891-8993/106-301	891-8993/106-302	1
4 m	891-8993/106-401	891-8993/106-402	1
5 m	891-8993/106-501	891-8993/106-502	1
6 m	891-8993/106-601	891-8993/106-602	1
7 m	891-8993/106-701	891-8993/106-702	1
8 m	891-8993/106-801	891-8993/106-802	1



Connecting cable ▶ Plug - Free end ▶ Protection class: IP20; IP40 when mated			
Total length	Connector color/Strain relief color		PU
	black/black	white/white	
1 m	891-8993/206-101	891-8993/206-102	1
2 m	891-8993/206-201	891-8993/206-202	1
3 m	891-8993/206-301	891-8993/206-302	1
4 m	891-8993/206-401	891-8993/206-402	1
5 m	891-8993/206-501	891-8993/206-502	1
6 m	891-8993/206-601	891-8993/206-602	1
7 m	891-8993/206-701	891-8993/206-702	1
8 m	891-8993/206-801	891-8993/206-802	1

Accessories; for all products on this page



Locking lever; for flying leads; manually operated		
Color	Item No.	PU (SPU)
● black	890-101	100 (50)
○ white	890-121	100 (50)



Locking lever; for flying leads; tool operated		
Color	Item No.	PU (SPU)
● black	890-111	100 (50)
○ white	890-131	100 (50)



Mounting carrier; for flying leads; 2- to 5-pole		
Color	Item No.	PU
● black	890-310	100
○ white	890-311	100

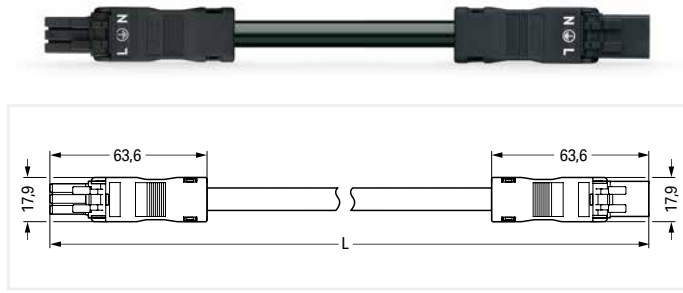
PU = Packaging Unit; SPU = Subpackaging Unit; Dimensions in mm



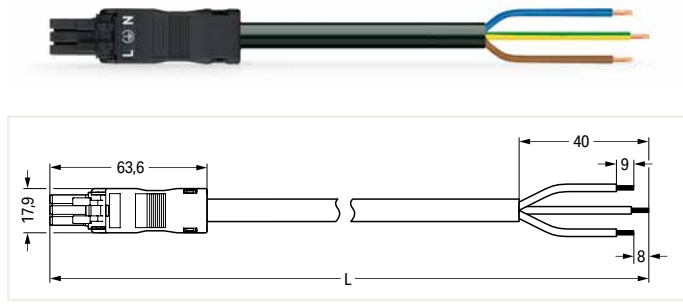
# Cable Assembly ▶ WINSTA® MINI ▶ 891 Series

Pole No.: 3 ▶ Fire class per EN 50575: E<sub>ca</sub> ▶ Coding: A ▶ 1.5 mm<sup>2</sup> ▶ Marking: L ⊕ N ▶ Halogen-free ▶ Sheathed cable diameter: 7.4 ... 9.4 mm ▶ H05Z1Z1-F 3G1.5 ▶ General mains applications

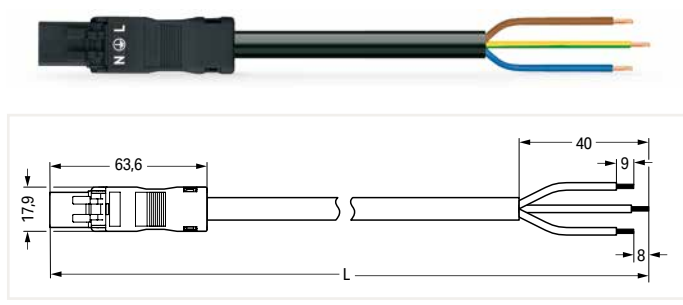
1



Interconnecting cable ▶ Socket - Plug ▶ Protection class: IP20; IP40 when mated			
Total length	Connector color/Strain relief color		PU
	black/black	white/white	
1 m	891-8993/016-101	891-8993/016-102	1
2 m	891-8993/016-201	891-8993/016-202	1
3 m	891-8993/016-301	891-8993/016-302	1
4 m	891-8993/016-401	891-8993/016-402	1
5 m	891-8993/016-501	891-8993/016-502	1
6 m	891-8993/016-601	891-8993/016-602	1
7 m	891-8993/016-701	891-8993/016-702	1
8 m	891-8993/016-801	891-8993/016-802	1



Connecting cable ▶ Socket - Free end ▶ Protection class: IP40			
Total length	Connector color/Strain relief color		PU
	black/black	white/white	
1 m	891-8993/116-101	891-8993/116-102	1
2 m	891-8993/116-201	891-8993/116-202	1
3 m	891-8993/116-301	891-8993/116-302	1
4 m	891-8993/116-401	891-8993/116-402	1
5 m	891-8993/116-501	891-8993/116-502	1
6 m	891-8993/116-601	891-8993/116-602	1
7 m	891-8993/116-701	891-8993/116-702	1
8 m	891-8993/116-801	891-8993/116-802	1



Connecting cable ▶ Plug - Free end ▶ Protection class: IP20; IP40 when mated			
Total length	Connector color/Strain relief color		PU
	black/black	white/white	
1 m	891-8993/216-101	891-8993/216-102	1
2 m	891-8993/216-201	891-8993/216-202	1
3 m	891-8993/216-301	891-8993/216-302	1
4 m	891-8993/216-401	891-8993/216-402	1
5 m	891-8993/216-501	891-8993/216-502	1
6 m	891-8993/216-601	891-8993/216-602	1
7 m	891-8993/216-701	891-8993/216-702	1
8 m	891-8993/216-801	891-8993/216-802	1

Accessories; for all products on this page



Locking lever; for flying leads; manually operated		
Color	Item No.	PU (SPU)
● black	890-101	100 (50)
○ white	890-121	100 (50)



Locking lever; for flying leads; tool operated		
Color	Item No.	PU (SPU)
● black	890-111	100 (50)
○ white	890-131	100 (50)

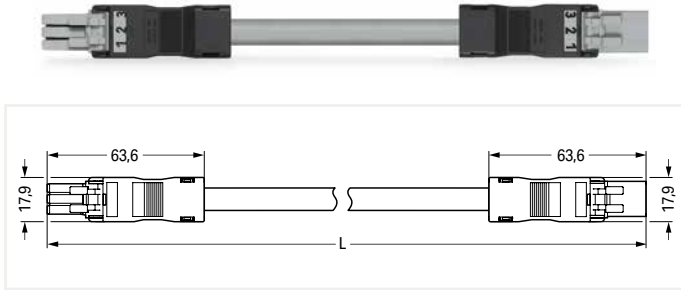


Mounting carrier; for flying leads; 2- to 5-pole		
Color	Item No.	PU
● black	890-310	100
○ white	890-311	100

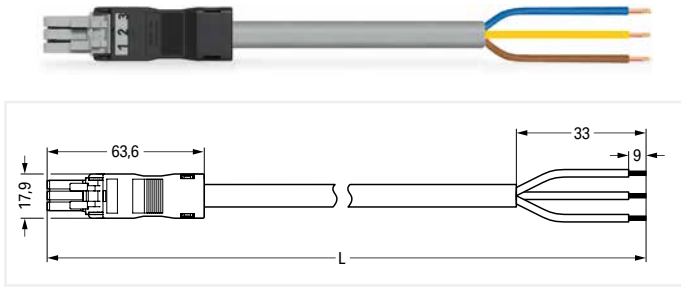
PU = Packaging Unit; SPU = Subpackaging Unit; Dimensions in mm

### Cable Assembly ▶ WINSTA® MINI ▶ 891 Series

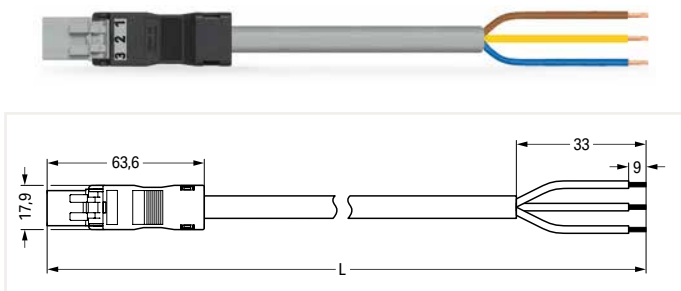
Pole No.: 3 ▶ Fire class per EN 50575: E<sub>ca</sub> ▶ Coding: B ▶ 1 mm<sup>2</sup> ▶ Marking: 1 2 3 ▶ PVC ▶ Sheathed cable diameter: 6.3 ... 8 mm ▶ Control line 3 x 1 ▶ Measurement and regulation technology



Interconnecting cable ▶ Socket - Plug ▶ Protection class: IP20; IP40 when mated				
Total length	Connector color/Strain relief color			PU
	gray/black	light green/black	pink/black	
1 m	891-8993/005-103	891-8993/005-105	891-8993/005-107	1
2 m	891-8993/005-203	891-8993/005-205	891-8993/005-207	1
3 m	891-8993/005-303	891-8993/005-305	891-8993/005-307	1
4 m	891-8993/005-403	891-8993/005-405	891-8993/005-407	1
5 m	891-8993/005-503	891-8993/005-505	891-8993/005-507	1
6 m	891-8993/005-603	891-8993/005-605	891-8993/005-607	1
7 m	891-8993/005-703	891-8993/005-705	891-8993/005-707	1
8 m	891-8993/005-803	891-8993/005-805	891-8993/005-807	1



Connecting cable ▶ Socket - Free end ▶ Protection class: IP40				
Total length	Connector color/Strain relief color			PU
	gray/black	light green/black	pink/black	
1 m	891-8993/105-103	891-8993/105-105	891-8993/105-107	1
2 m	891-8993/105-203	891-8993/105-205	891-8993/105-207	1
3 m	891-8993/105-303	891-8993/105-305	891-8993/105-307	1
4 m	891-8993/105-403	891-8993/105-405	891-8993/105-407	1
5 m	891-8993/105-503	891-8993/105-505	891-8993/105-507	1
6 m	891-8993/105-603	891-8993/105-605	891-8993/105-607	1
7 m	891-8993/105-703	891-8993/105-705	891-8993/105-707	1
8 m	891-8993/105-803	891-8993/105-805	891-8993/105-807	1



Connecting cable ▶ Plug - Free end ▶ Protection class: IP20; IP40 when mated				
Total length	Connector color/Strain relief color			PU
	gray/black	light green/black	pink/black	
1 m	891-8993/205-103	891-8993/205-105	891-8993/205-107	1
2 m	891-8993/205-203	891-8993/205-205	891-8993/205-207	1
3 m	891-8993/205-303	891-8993/205-305	891-8993/205-307	1
4 m	891-8993/205-403	891-8993/205-405	891-8993/205-407	1
5 m	891-8993/205-503	891-8993/205-505	891-8993/205-507	1
6 m	891-8993/205-603	891-8993/205-605	891-8993/205-607	1
7 m	891-8993/205-703	891-8993/205-705	891-8993/205-707	1
8 m	891-8993/205-803	891-8993/205-805	891-8993/205-807	1

Accessories; for all products on this page



Locking lever; for flying leads; manually operated			
Color	Item No.	PU (SPU)	
● black	890-101	100 (50)	
○ white	890-121	100 (50)	



Locking lever; for flying leads; tool operated			
Color	Item No.	PU (SPU)	
● black	890-111	100 (50)	
○ white	890-131	100 (50)	



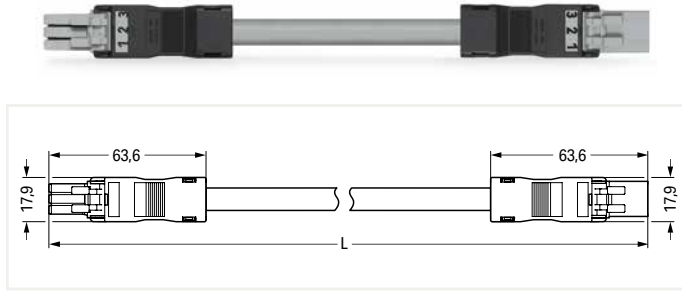
Mounting carrier; for flying leads; 2- to 5-pole			
Color	Item No.	PU	
● black	890-310	100	
○ white	890-311	100	

PU = Packaging Unit; SPU = Subpackaging Unit; Dimensions in mm

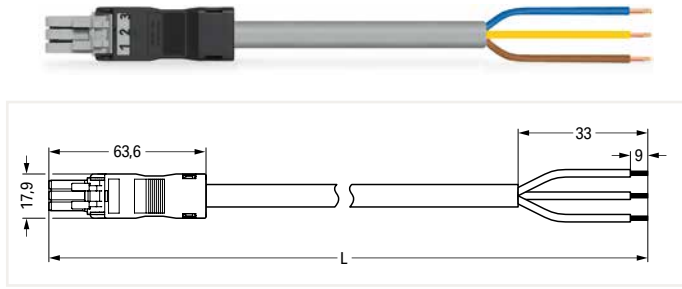
# Cable Assembly ▶ WINSTA® MINI ▶ 891 Series

Pole No.: 3 ▶ Fire class per EN 50575: E<sub>ca</sub> ▶ Coding: B ▶ 1.5 mm<sup>2</sup> ▶ Marking: 1 2 3 ▶ PVC ▶ Sheathed cable diameter: 7.4 ... 9.4 mm ▶ Control line 3 x 1.5 ▶ Measurement and regulation technology

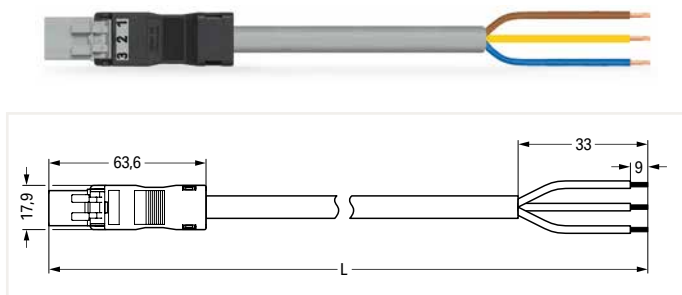
1



Interconnecting cable ▶ Socket - Plug ▶ Protection class: IP20; IP40 when mated				
Total length	Connector color/Strain relief color			PU
	gray/black	light green/black	pink/black	
1 m	891-8993/006-103	891-8993/006-105	891-8993/006-107	1
2 m	891-8993/006-203	891-8993/006-205	891-8993/006-207	1
3 m	891-8993/006-303	891-8993/006-305	891-8993/006-307	1
4 m	891-8993/006-403	891-8993/006-405	891-8993/006-407	1
5 m	891-8993/006-503	891-8993/006-505	891-8993/006-507	1
6 m	891-8993/006-603	891-8993/006-605	891-8993/006-607	1
7 m	891-8993/006-703	891-8993/006-705	891-8993/006-707	1
8 m	891-8993/006-803	891-8993/006-805	891-8993/006-807	1



Connecting cable ▶ Socket - Free end ▶ Protection class: IP40				
Total length	Connector color/Strain relief color			PU
	gray/black	light green/black	pink/black	
1 m	891-8993/106-103	891-8993/106-105	891-8993/106-107	1
2 m	891-8993/106-203	891-8993/106-205	891-8993/106-207	1
3 m	891-8993/106-303	891-8993/106-305	891-8993/106-307	1
4 m	891-8993/106-403	891-8993/106-405	891-8993/106-407	1
5 m	891-8993/106-503	891-8993/106-505	891-8993/106-507	1
6 m	891-8993/106-603	891-8993/106-605	891-8993/106-607	1
7 m	891-8993/106-703	891-8993/106-705	891-8993/106-707	1
8 m	891-8993/106-803	891-8993/106-805	891-8993/106-807	1



Connecting cable ▶ Plug - Free end ▶ Protection class: IP20; IP40 when mated				
Total length	Connector color/Strain relief color			PU
	gray/black	light green/black	pink/black	
1 m	891-8993/206-103	891-8993/206-105	891-8993/206-107	1
2 m	891-8993/206-203	891-8993/206-205	891-8993/206-207	1
3 m	891-8993/206-303	891-8993/206-305	891-8993/206-307	1
4 m	891-8993/206-403	891-8993/206-405	891-8993/206-407	1
5 m	891-8993/206-503	891-8993/206-505	891-8993/206-507	1
6 m	891-8993/206-603	891-8993/206-605	891-8993/206-607	1
7 m	891-8993/206-703	891-8993/206-705	891-8993/206-707	1
8 m	891-8993/206-803	891-8993/206-805	891-8993/206-807	1

Accessories; for all products on this page



Locking lever; for flying leads; manually operated			
Color	Item No.	PU (SPU)	
● black	890-101	100 (50)	
○ white	890-121	100 (50)	



Locking lever; for flying leads; tool operated			
Color	Item No.	PU (SPU)	
● black	890-111	100 (50)	
○ white	890-131	100 (50)	



Mounting carrier; for flying leads; 2- to 5-pole			
Color	Item No.	PU	
● black	890-310	100	
○ white	890-311	100	

PU = Packaging Unit; SPU = Subpackaging Unit; Dimensions in mm



## Pluggable Connector ▶ WINSTA® MINI ▶ 890 Series

Pole No.: 4

1



- Protected against mismatching and maintenance-free
- Push-in CAGE CLAMP® spring pressure connection technology allows solid conductors to be simply pushed into a unit
- Compact design with 4.4 mm pole spacing
- When assembled the installation connectors complies with IP40 and are suitable for easily accessible areas

### Electrical Data

Coding	A;B		
Ratings per	IEC/EN 60664-1		
Overvoltage category	III	III	II
Pollution degree	3	2	2
Rated voltage	400 V	-	-
Rated impulse voltage	6 kV	-	-
Rated current	16 A	-	-
Approbations per	UL 1977		
Rated voltage	600 V		
Rated current	12 A		

### Connection Data

Connection technology	Push-in CAGE CLAMP®
Strip length	9 mm / 0.35 inch
Nominal cross-section	1.5 mm <sup>2</sup>
Solid conductor	0.25 ... 1.5 mm <sup>2</sup> / 22 ... 16 AWG
Solid conductor; push-in termination	0.75 ... 1.5 mm <sup>2</sup> / 20 ... 16 AWG
Stranded conductor	0.25 ... 1 mm <sup>2</sup> / 22 ... 18 AWG
Fine-stranded conductor	0.25 ... 1.5 mm <sup>2</sup> / 22 ... 16 AWG
Fine-stranded conductor; with insulated ferrule	0.25 ... 0.75 mm <sup>2</sup> / 22 ... 20 AWG
Fine-stranded conductor; with uninsulated ferrule	0.25 ... 0.75 mm <sup>2</sup> / 22 ... 20 AWG
Fine-stranded conductor; with ferrule; push-in termination	0.75 mm <sup>2</sup> / 20 AWG

### Material Data

Insulation material	Polyamide (PA66)
Clamping spring material	Chrome nickel spring steel (CrNi)
Contact material	Copper or copper alloy (surface-treated)

### Mechanical Data

Number of mating cycles	200, without resistive load
Mating force of a plug-in connection	approx. 20 ... 70 N (depending on pole number)
Unmating force of a plug-in connection	Unlocked: approx. 20 ... 70 N (depending on pole number)
Retention force of a plug-in connection	Locked: > 80 N

### Environmental Requirements

Processing temperature	-5 ... +40 °C
Continuous operating temperature	-35 ... +85 °C
Note on continuous operating temperature	Insulating parts for temperatures ≤ 105 °C

All WINSTA® components are 100% protected against mismatching when:

- plugging different numbers of poles
- plugging while rotated 180
- plugging while laterally staggered
- plugging one pole

Shield termination [Page 375](#)

Tool [Page 400](#)

See technical section for further information

For approvals and corresponding ratings, visit [www.wago.com](http://www.wago.com)

# Pluggable Connector ▶ WINSTA® MINI ▶ 890 Series

## Pole No.: 4

Strain relief housing ▶ Female connector/socket ▶ Strip length (outer insulation): 45 mm ▶ Connectable sheathed cable diameter: 6.5 ... 10.5 mm ▶ Protection class: IP40

Strain relief housing ▶ Male connector/plug ▶ Strip length (outer insulation): 45 mm ▶ Connectable sheathed cable diameter: 6.5 ... 10.5 mm ▶ Protection class: IP40



890-104

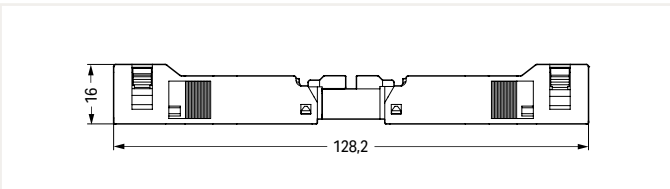
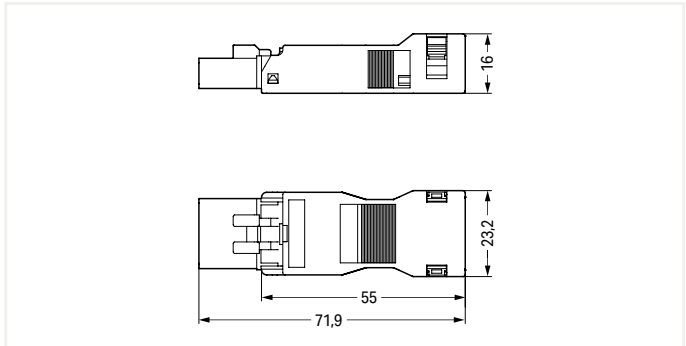
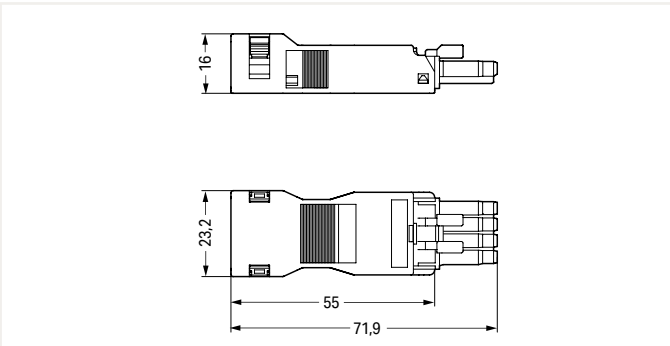
890-114

**General mains applications**

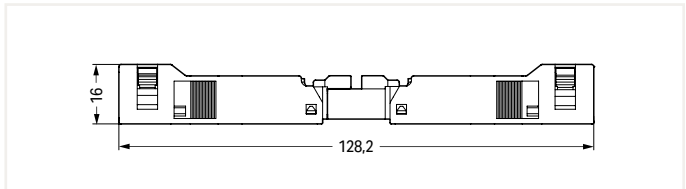
Color	Coding	Marking	Item No.	PU
● black	A	N ⊕ 2/L 1/L'	890-104	50
○ white	A	N ⊕ 2/L 1/L'	890-124	50

**General mains applications**

Color	Coding	Marking	Item No.	PU
● black	A	N ⊕ 2/L 1/L'	890-114	50
○ white	A	N ⊕ 2/L 1/L'	890-134	50



Overall length when mated



Overall length when mated

**Accessories; for all products on this page**



Locking lever; for flying leads; manually operated		
Color	Item No.	PU (SPU)
● black	890-101	100 (50)
○ white	890-121	100 (50)



Locking lever; for flying leads; tool operated		
Color	Item No.	PU (SPU)
● black	890-111	100 (50)
○ white	890-131	100 (50)



Mounting carrier; for flying leads; 2- to 5-pole		
Color	Item No.	PU
● black	890-310	100
○ white	890-311	100



Operating tool; for WAGO WINSTA® MINI Connectors; Pole No.: 4		
Color	Item No.	PU
● green	890-384	1

PU = Packaging Unit; SPU = Subpackaging Unit; Dimensions in mm



# Pluggable Connector ▶ WINSTA® MINI ▶ 890 Series

Pole No.: 4

Female connector/socket ▶ Protection class: IP20; IP40 with strain relief housing

Male connector/plug ▶ Protection class: IP20; IP40 when mated with strain relief housing



890-204

890-214

**General mains applications**

Color	Coding	Marking	Item No.	PU
● black	A	N ⊕ 2/L 1/L'	890-204	50
○ white	A	N ⊕ 2/L 1/L'	890-224	50

**General mains applications**

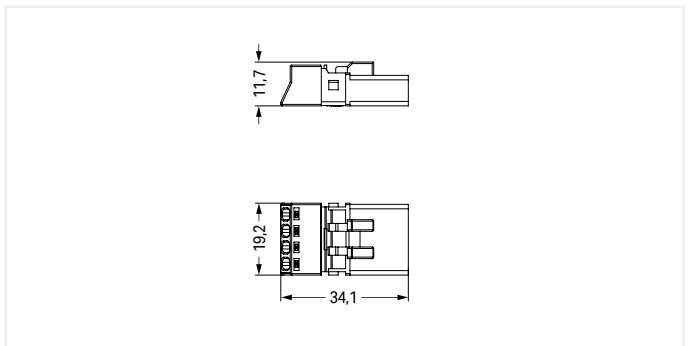
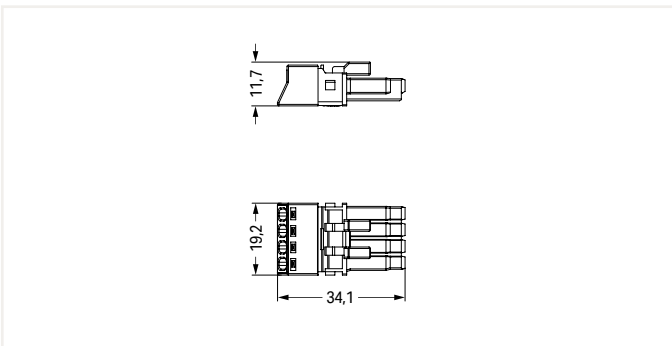
Color	Coding	Marking	Item No.	PU
● black	A	N ⊕ 2/L 1/L'	890-214	50
○ white	A	N ⊕ 2/L 1/L'	890-234	50

**Measurement and regulation technology**

Color	Coding	Marking	Item No.	PU
● gray	B	1 2 3 4	890-244	50
● gray	B	N ⊕ 2/L 1/L'	890-244/060-000	50
● gray	B	3 ⊕ 2 1	890-244/062-000	50
● gray	B	2L ⊕ 1L L	890-244/064-000	50
● light green	B	1 2 3 4	890-264	50
● light green	B	U- S U+ X/Y	890-264/071-000	50
● light green	B	U- U+ DI AI	890-264/072-000	50
● light green	B	1 ⊕ 2 3	890-264/073-000	50
● pink	B	1 2 3 4	890-284	50
● pink	B	1 2 5 3	890-284/081-000	50

**Measurement and regulation technology**

Color	Coding	Marking	Item No.	PU
● gray	B	1 2 3 4	890-254	50
● gray	B	N ⊕ 2/L 1/L'	890-254/060-000	50
● gray	B	3 ⊕ 2 1	890-254/062-000	50
● gray	B	2L ⊕ 1L L	890-254/064-000	50
● light green	B	1 2 3 4	890-274	50
● light green	B	U- S U+ X/Y	890-274/071-000	50
● light green	B	U- U+ DI AI	890-274/072-000	50
● light green	B	1 ⊕ 2 3	890-274/073-000	50
● pink	B	1 2 3 4	890-294	50
● pink	B	1 2 5 3	890-294/081-000	50



**Accessories; for all products on this page**



Locking lever; for flying leads; manually operated

Color	Item No.	PU (SPU)
● black	890-101	100 (50)
○ white	890-121	100 (50)

Locking lever; for flying leads; tool operated

Color	Item No.	PU (SPU)
● black	890-111	100 (50)
○ white	890-131	100 (50)

Mounting carrier; for flying leads; 2- to 5-pole

Color	Item No.	PU
● black	890-310	100
○ white	890-311	100



Operating tool; for WAGO WINSTA® MINI Connectors; Pole No.: 4

Color	Item No.	PU
● green	890-384	1

Strain relief housing; Connectable sheathed cable diameter: 6.5 ... 10.5 mm; Strip length (outer insulation): 45 mm

Color	Item No.	PU
● black	890-504	50
○ white	890-514	50

PU = Packaging Unit; SPU = Subpackaging Unit; Dimensions in mm



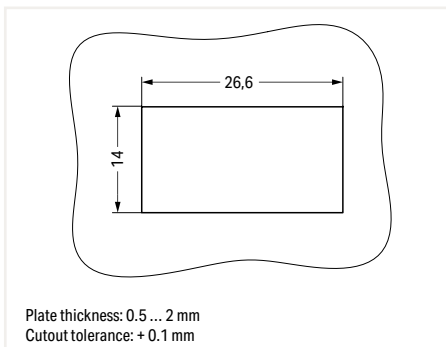
## Snap-in Device Connector ▶ WINSTA® MINI ▶ 890 Series

Pole No.: 4

1



- Protected against mismatching and maintenance-free
- Push-in CAGE CLAMP® spring pressure connection technology allows solid conductors to be simply pushed into a unit.
- Low profile with 4.4 mm pole spacing
- When assembled, the installation connectors comply with IP40 and are suitable for easily accessible areas.



Electrical Data			
Coding	A;B		
Ratings per	IEC/EN 60664-1		
Overvoltage category	III	III	II
Pollution degree	3	2	2
Rated voltage	400 V	-	-
Rated impulse voltage	6 kV	-	-
Rated current	16 A	-	-
Approbations per	UL 1977		
Rated voltage	600 V		
Rated current	12 A		

Connection Data	
Connection technology	Push-in CAGE CLAMP®
Strip length	9 mm / 0.35 inch
Nominal cross-section	1.5 mm <sup>2</sup>
Solid conductor	0.25 ... 1.5 mm <sup>2</sup> / 22 ... 16 AWG
Solid conductor; push-in termination	0.75 ... 1.5 mm <sup>2</sup> / 20 ... 16 AWG
Stranded conductor	0.25 ... 1 mm <sup>2</sup> / 22 ... 18 AWG
Fine-stranded conductor	0.25 ... 1.5 mm <sup>2</sup> / 22 ... 16 AWG
Fine-stranded conductor; with insulated ferrule	0.25 ... 0.75 mm <sup>2</sup> / 22 ... 20 AWG
Fine-stranded conductor; with uninsulated ferrule	0.25 ... 0.75 mm <sup>2</sup> / 22 ... 20 AWG
Fine-stranded conductor; with ferrule; push-in termination	0.75 mm <sup>2</sup> / 20 AWG

Material Data	
Insulation material	Polyamide (PA66)
Clamping spring material	Chrome nickel spring steel (CrNi)
Contact material	Copper or copper alloy (surface-treated)

Mechanical Data	
Number of mating cycles	200, without resistive load
Mating force of a plug-in connection	approx. 20 ... 70 N (depending on pole number)
Unmating force of a plug-in connection	Unlocked: approx. 20 ... 70 N (depending on pole number)
Retention force of a plug-in connection	Locked: > 80 N

Environmental Requirements	
Processing temperature	-5 ... +40 °C
Continuous operating temperature	-35 ... +85 °C
Note on continuous operating temperature	Insulating parts for temperatures ≤ 105 °C

All WINSTA® components are 100% protected against mismatching when:

- a.) plugging different numbers of poles
- b.) plugging while rotated 180
- c.) plugging while laterally staggered
- d.) plugging one pole

Tool Page 400

See technical section for further information

For approvals and corresponding ratings, visit [www.wago.com](http://www.wago.com)

# Snap-in Device Connector ▶ WINSTA® MINI ▶ 890 Series

## Pole No.: 4

Female connector/socket ▶ Protection class: IP40

Male connector/plug ▶ Protection class: IP20; IP40 when mated



890-704



890-714

**General mains applications**

Color	Coding	Marking	Item No.	PU (SPU)
● black	A	N ⊕ 2/L 1/L'	890-704	50 (50)
○ white	A	N ⊕ 2/L 1/L'	890-724	50 (50)

**General mains applications**

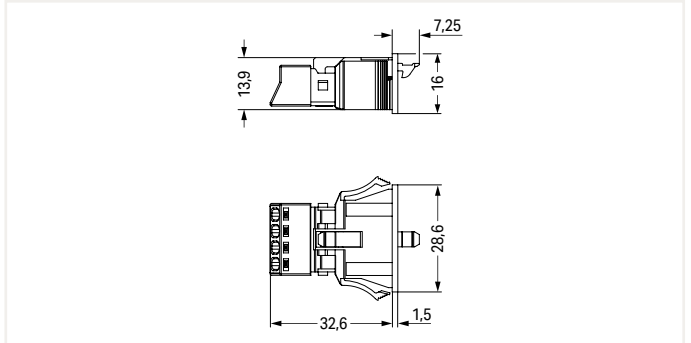
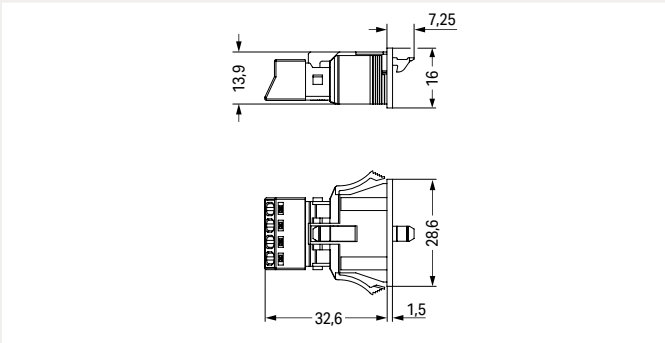
Color	Coding	Marking	Item No.	PU (SPU)
● black	A	N ⊕ 2/L 1/L'	890-714	50 (50)
○ white	A	N ⊕ 2/L 1/L'	890-734	50 (50)

**Measurement and regulation technology**

Color	Coding	Marking	Item No.	PU (SPU)
● gray	B	1 2 3 4	890-744	50 (50)
● gray	B	N ⊕ 2/L 1/L'	890-744/060-000	50 (50)
● gray	B	3 ⊕ 2 1	890-744/062-000	50 (50)
● gray	B	2L ⊕ 1L L	890-744/064-000	50 (50)
● light green	B	1 2 3 4	890-764	50 (50)
● light green	B	U- S U+ X/Y	890-764/071-000	50 (50)
● light green	B	U- U+ DI AI	890-764/072-000	50 (50)
● light green	B	1 ⊕ 2 3	890-764/073-000	50 (50)
● pink	B	1 2 3 4	890-784	50 (50)
● pink	B	1 2 5 3	890-784/081-000	50 (50)

**Measurement and regulation technology**

Color	Coding	Marking	Item No.	PU (SPU)
● gray	B	1 2 3 4	890-754	50 (50)
● gray	B	N ⊕ 2/L 1/L'	890-754/060-000	50 (50)
● gray	B	3 ⊕ 2 1	890-754/062-000	50 (50)
● gray	B	2L ⊕ 1L L	890-754/064-000	50 (50)
● light green	B	1 2 3 4	890-774	50 (50)
● light green	B	U- S U+ X/Y	890-774/071-000	50 (50)
● light green	B	U- U+ DI AI	890-774/072-000	50 (50)
● light green	B	1 ⊕ 2 3	890-774/073-000	50 (50)
● pink	B	1 2 3 4	890-794	50 (50)
● pink	B	1 2 5 3	890-794/081-000	50 (50)



**Accessories; for all products on this page**



Operating tool; for WAGO WINSTA® MINI Connectors;  
Pole No.: 4

Color	Item No.	PU
● green	890-384	1



Lockout cap; for cutout; Pole No.: 4

Color	Item No.	PU
● black	890-644	100
○ white	890-694	100

PU = Packaging Unit; SPU = Subpackaging Unit; Dimensions in mm

## Pluggable PCB Connector ▶ WINSTA® MINI ▶ 890 Series

Pole No.: 4

1



- Protected against mismatching and maintenance-free
- Push-in CAGE CLAMP® spring pressure connection technology allows solid conductors to be simply pushed into a unit.
- Low profile with 4.4 mm pole spacing

Electrical Data			
<b>Coding</b>	A;B		
Ratings per	IEC/EN 60664-1		
Overvoltage category	III	III	II
Pollution degree	3	2	2
Rated voltage	250 V	-	-
Rated impulse voltage	4 kV	-	-
Rated current	16 A	-	-
Approbations per	UL 1977		
Rated voltage	600 V		
Rated current	12 A		

Material Data	
Insulation material	Polyamide (PA66)
Clamping spring material	Chrome nickel spring steel (CrNi)
Contact material	Copper or copper alloy (surface-treated)

Mechanical Data	
Solder pin arrangement	2 in-line solder pins/pole
Solder pin length	3.5 mm
Solder pin dimensions	1 x 0.8 mm
Drilled hole diameter with tolerance	1.3 <sup>(+0.1)</sup> mm
Mating force of a plug-in connection	approx. 20 ... 70 N (depending on pole number)
Unmating force of a plug-in connection	Unlocked: approx. 20 ... 70 N (depending on pole number)
Retention force of a plug-in connection	Locked: > 80 N

Environmental Requirements	
Processing temperature	-5 ... +40 °C
Continuous operating temperature	-35 ... +85 °C
Note on continuous operating temperature	Insulating parts for temperatures ≤ 105 °C

All WINSTA® components are 100% protected against mismatching when:

- plugging different numbers of poles
- plugging while rotated 180
- plugging while laterally staggered
- plugging one pole

See technical section for further information

For approvals and corresponding ratings, visit [www.wago.com](http://www.wago.com)

# Pluggable PCB Connector ▶ WINSTA® MINI ▶ 890 Series

## Pole No.: 4

straight ▶ Female connector/socket

straight ▶ Male connector/plug



890-804



890-814

**General mains applications**

Color	Coding	Marking	Item No.	PU
● black	A	N ⊕ 2/L 1/L'	890-804	50
○ white	A	N ⊕ 2/L 1/L'	890-824	50

**Measurement and regulation technology**

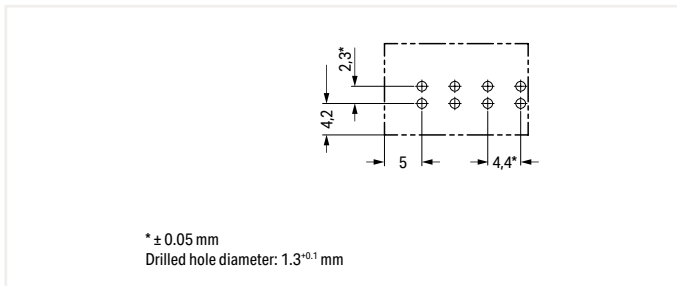
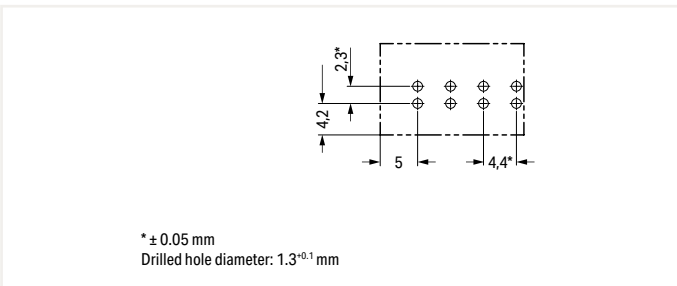
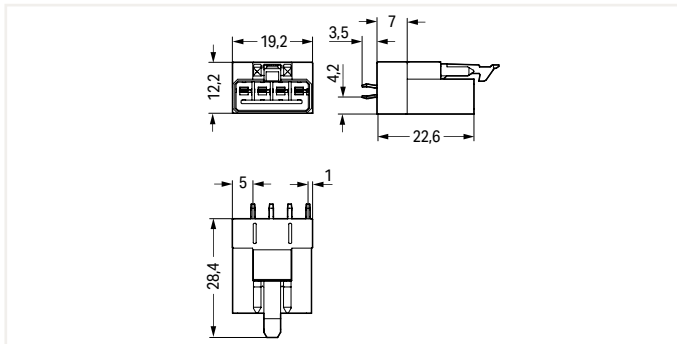
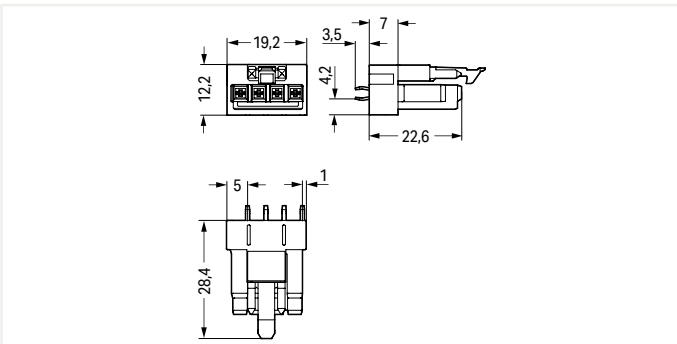
Color	Coding	Marking	Item No.	PU
● gray	B	1 2 3 4	890-844	50
● light green	B	1 2 3 4	890-864	50
● pink	B	1 2 3 4	890-884	50

**General mains applications**

Color	Coding	Marking	Item No.	PU
● black	A	N ⊕ 2/L 1/L'	890-814	50
○ white	A	N ⊕ 2/L 1/L'	890-834	50

**Measurement and regulation technology**

Color	Coding	Marking	Item No.	PU
● gray	B	1 2 3 4	890-854	50
● light green	B	1 2 3 4	890-874	50
● pink	B	1 2 3 4	890-894	50





# Pluggable PCB Connector ▶ WINSTA® MINI ▶ 890 Series

Pole No.: 4

angled ▶ Female connector/socket

angled ▶ Male connector/plug



890-804/011-000

890-814/011-000

**General mains applications**

Color	Coding	Marking	Item No.	PU
● black	A	N ⊕ 2/L 1/L'	890-804/011-000	50
○ white	A	N ⊕ 2/L 1/L'	890-824/011-000	50

**General mains applications**

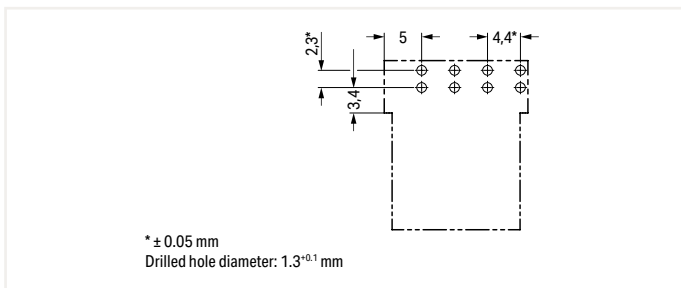
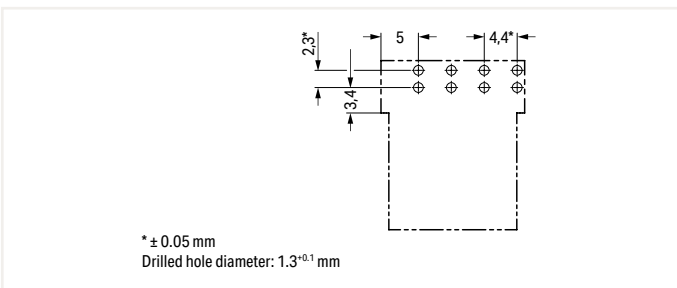
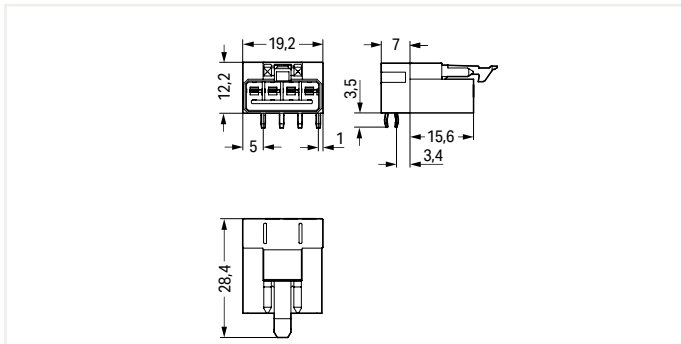
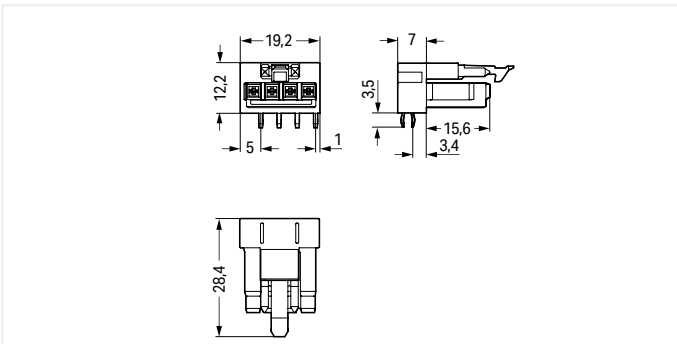
Color	Coding	Marking	Item No.	PU
● black	A	N ⊕ 2/L 1/L'	890-814/011-000	50
○ white	A	N ⊕ 2/L 1/L'	890-834/011-000	50

**Measurement and regulation technology**

Color	Coding	Marking	Item No.	PU
● gray	B	1 2 3 4	890-844/011-000	50
● light green	B	1 2 3 4	890-864/011-000	50
● pink	B	1 2 3 4	890-884/011-000	50

**Measurement and regulation technology**

Color	Coding	Marking	Item No.	PU
● gray	B	1 2 3 4	890-854/011-000	50
● light green	B	1 2 3 4	890-874/011-000	50
● pink	B	1 2 3 4	890-894/011-000	50





## Distribution Connector ▶ WINSTA® MINI ▶ 890 Series

### Pole No.: 4 ▶ Protection class: IP20; IP40 when mated



- Protected against mismatching and maintenance-free
- Low profile with 4.4 mm pole spacing

Electrical Data			
Coding	A;B		
Ratings per	IEC/EN 60664-1		
Overvoltage category	III	III	II
Pollution degree	3	2	2
Rated voltage	400 V	-	-
Rated impulse voltage	6 kV	-	-
Rated current	16 A	-	-
Approbations per	UL 1977		
Rated voltage	600 V		
Rated current	12 A		
Material Data			
Insulation material	Polyamide (PA66)		
Contact material	Copper or copper alloy (surface-treated)		
Mechanical Data			
Number of mating cycles	200, without resistive load		
Mating force of a plug-in connection	Approx. 20 ... 70 N (depending on pole number)		
Unmating force of a plug-in connection	Unlocked: approx. 20 ... 70 N (depending on pole number)		
Retention force of a plug-in connection	When locked: > 80 N		
Protection type	IP20		
Note on protection type	IP40 when mated		
Environmental Requirements			
Processing temperature	-5 ... +40 °C		
Continuous operating temperature	-35 ... +85 °C		
Note on continuous operating temperature	Insulating parts for temperatures ≤ 105 °C		

All WINSTA® components are 100% protected against mismatching when:

- plugging different numbers of poles
- plugging while rotated 180
- plugging while laterally staggered
- plugging one pole

At least one snap-in connector **without** a locking lever is required on one side when connecting two lights directly via intermediate coupler.

See technical section for further information

For approvals and corresponding ratings, visit [www.wago.com](http://www.wago.com)

# Distribution Connector ▶ WINSTA® MINI ▶ 890 Series

Pole No.: 4 ▶ Protection class: IP20; IP40 when mated

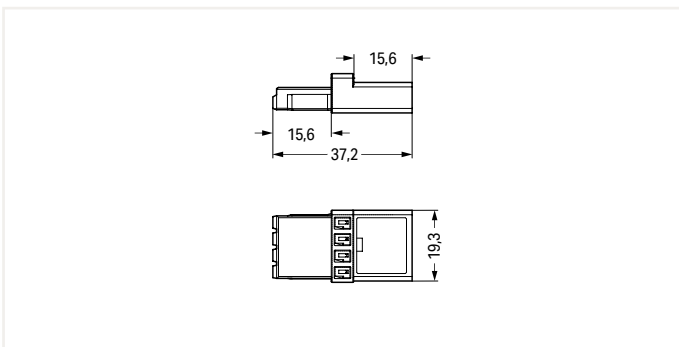
Intermediate coupler



890-604

General mains applications

Color	Coding	com_Aufdruck	Item No.	PU
● black	A		890-604	50
○ white	A		890-654	50



PU = Packaging Unit; SPU = Subpackaging Unit; Dimensions in mm

# Distribution Connector ▶ WINSTA® MINI ▶ 890 Series

Pole No.: 4 ▶ Protection class: IP20; IP40 when mated

T-distribution connector ▶ Number of locking levers: 2

T-distribution connector ▶ Number of locking levers: 3 ▶ for flying leads

1



890-626



890-627

**General mains applications**

Color	Coding	Marking	Item No.	PU
● black	A	N ⊕ 2/L 1/L'	890-626	25
○ white	A	N ⊕ 2/L 1/L'	890-676	25

**Measurement and regulation technology**

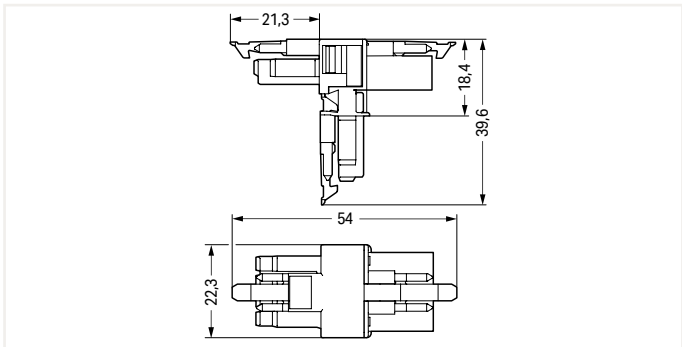
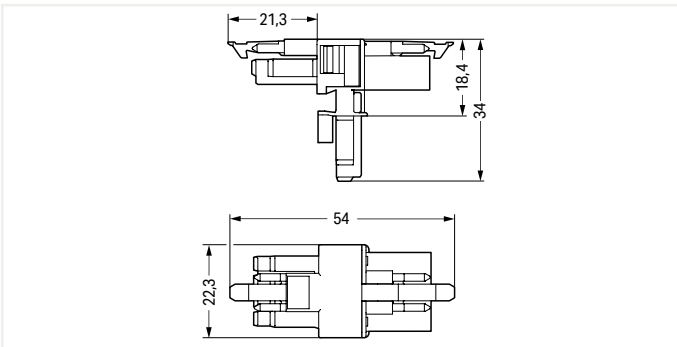
Color	Coding	Marking	Item No.	PU
● gray	B	1 2 3 4	890-1631	25
● light green	B	1 2 3 4	890-1632	25
● pink	B	1 2 3 4	890-1633	25

**General mains applications**

Color	Coding	Marking	Item No.	PU
● black	A	N ⊕ 2/L 1/L'	890-627	25
○ white	A	N ⊕ 2/L 1/L'	890-677	25

**Measurement and regulation technology**

Color	Coding	Marking	Item No.	PU
● gray	B	1 2 3 4	890-1731	25
● light green	B	1 2 3 4	890-1732	25
● pink	B	1 2 3 4	890-1733	25



PU = Packaging Unit; SPU = Subpackaging Unit; Dimensions in mm

# Distribution Connector ▶ WINSTA® MINI ▶ 890 Series

Pole No.: 4 ▶ Protection class: IP20; IP40 when mated

h-distribution connector (unidirectional) ▶ Number of locking levers: 2

h-distribution connector (unidirectional) ▶ Number of locking levers: 3 ▶ for flying leads



890-944



890-945

**General mains applications**

Color	Coding	Marking	Item No.	PU
● black	A	N ⊕ 2/L 1/L'	890-944	50
○ white	A	N ⊕ 2/L 1/L'	890-994	50

**Measurement and regulation technology**

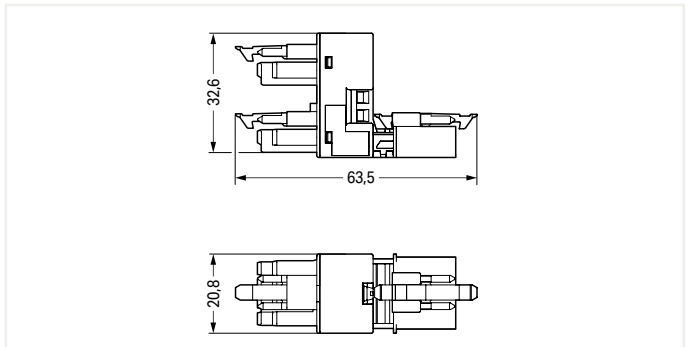
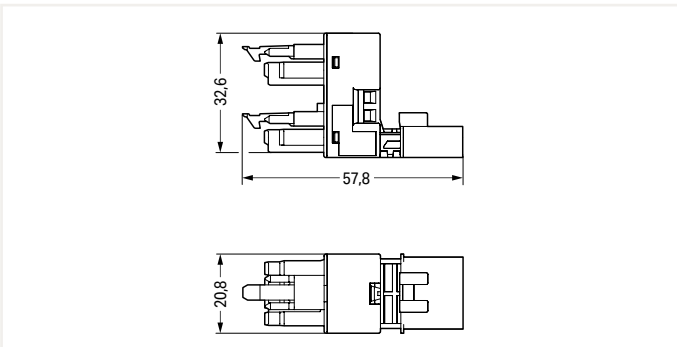
Color	Coding	Marking	Item No.	PU
● gray	B	1 2 3 4	890-1681	50
● light green	B	1 2 3 4	890-1682	50
● pink	B	1 2 3 4	890-1683	50

**General mains applications**

Color	Coding	Marking	Item No.	PU
● black	A	N ⊕ 2/L 1/L'	890-945	50
○ white	A	N ⊕ 2/L 1/L'	890-995	50

**Measurement and regulation technology**

Color	Coding	Marking	Item No.	PU
● gray	B	1 2 3 4	890-1781	50
● light green	B	1 2 3 4	890-1782	50
● pink	B	1 2 3 4	890-1783	50



**Accessories; for all products on this page**



Mounting plate; for distribution connectors (except T-distribution connectors); 4-pole

Color	Item No.	PU (SPU)
● black	890-624	50 (50)
○ white	890-674	50 (50)

PU = Packaging Unit; SPU = Subpackaging Unit; Dimensions in mm



## Distribution Connector ▶ WINSTA® MINI ▶ 890 Series

Pole No.: 4 ▶ Protection class: IP20; IP40 when mated

Distribution connector, 3-way,

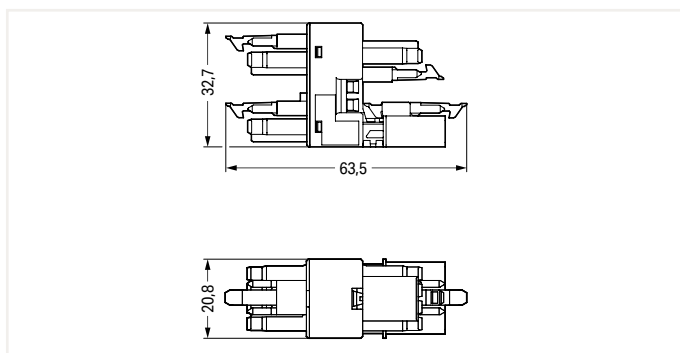
1



890-1734

### Measurement and regulation technology

Color	Coding	Marking	Item No.	PU
gray	B	1 2 3 4	890-1734	50
light green	B	1 2 3 4	890-1735	50
pink	B	1 2 3 4	890-1736	50



### Accessories; for all products on this page



Mounting plate; for distribution connectors (except T-distribution connectors); 4-pole

Color	Item No.	PU (SPU)
black	890-624	50 (50)
white	890-674	50 (50)

PU = Packaging Unit; SPU = Subpackaging Unit; Dimensions in mm



## Cable Assembly ▶ WINSTA® MINI ▶ 891 Series

Pole No.: 4 ▶ Fire class per EN 50575: E<sub>ca</sub>

1



- Protected against mismatching and maintenance-free
- Low profile with 4.4 mm pole spacing

Electrical Data						
Coding	A;B			B		
Wire cross-section	1.5 mm <sup>2</sup>			1 mm <sup>2</sup>		
Ratings per	IEC/EN 60664-1			IEC/EN 60664-1		
Overvoltage category	III	III	II	III	III	II
Pollution degree	3	2	2	3	2	2
Rated voltage	400 V	-	-	400 V	-	-
Rated impulse voltage	6 kV	-	-	6 kV	-	-
Rated current	16 A	-	-	10 A	-	-

Material Data	
Insulation material	Polyamide (PA66)
Contact material	Copper or copper alloy (surface-treated)
Fire class per EN 50575	E <sub>ca</sub>

Mechanical Data	
Number of mating cycles	200, without resistive load
Mating force of a plug-in connection	approx. 20 ... 70 N (depending on pole number)
Unmating force of a plug-in connection	when unlocked: approx. 20 ... 70 N (depending on pole number)
Retention force of a plug-in connection	when locked: > 80N

Environmental Requirements	
Processing temperature	-5 ... +40 °C
Continuous operating temperature	-35 ... +85 °C
Note on continuous operating temperature	PVC cable for temperatures ≤ 70 °C (including halogen-free) Insulating parts for temperatures ≤ 105 °C

All WINSTA® components are 100% protected against mismatching when:

- a.) plugging different numbers of poles
- b.) plugging while rotated 180
- c.) plugging while laterally staggered
- d.) plugging one pole

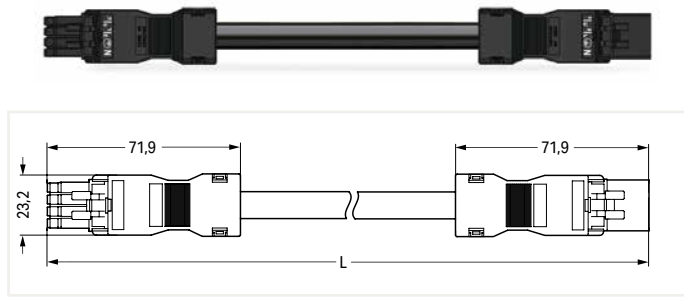
Cables with a different fire class can be found in the eShop.

See technical section for further information

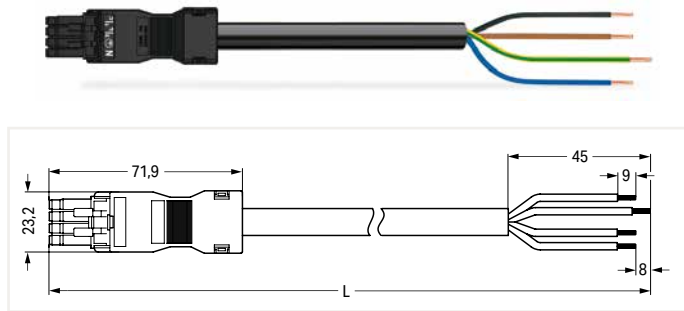
For approvals and corresponding ratings, visit [www.wago.com](http://www.wago.com)

### Cable Assembly ▶ WINSTA® MINI ▶ 891 Series

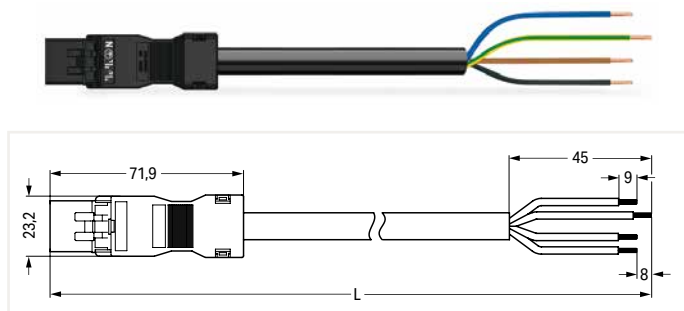
Pole No.: 4 ▶ Fire class per EN 50575: E<sub>ca</sub> ▶ Coding: A ▶ 1.5 mm<sup>2</sup> ▶ Marking: N ⊕ 2/L 1/L' ▶ PVC ▶ Sheathed cable diameter: 8.4 ... 10.5 mm ▶ H05VV-F 4G1.5 ▶ General mains applications



Interconnecting cable ▶ Socket - Plug ▶ Protection class: IP20; IP40 when mated			
Total length	Connector color/Strain relief color		PU
	black/black	white/white	
1 m	891-8994/006-101	891-8994/006-102	1
2 m	891-8994/006-201	891-8994/006-202	1
3 m	891-8994/006-301	891-8994/006-302	1
4 m	891-8994/006-401	891-8994/006-402	1
5 m	891-8994/006-501	891-8994/006-502	1
6 m	891-8994/006-601	891-8994/006-602	1
7 m	891-8994/006-701	891-8994/006-702	1
8 m	891-8994/006-801	891-8994/006-802	1



Connecting cable ▶ Socket - Free end ▶ Protection class: IP40			
Total length	Connector color/Strain relief color		PU
	black/black	white/white	
1 m	891-8994/106-101	891-8994/106-102	1
2 m	891-8994/106-201	891-8994/106-202	1
3 m	891-8994/106-301	891-8994/106-302	1
4 m	891-8994/106-401	891-8994/106-402	1
5 m	891-8994/106-501	891-8994/106-502	1
6 m	891-8994/106-601	891-8994/106-602	1
7 m	891-8994/106-701	891-8994/106-702	1
8 m	891-8994/106-801	891-8994/106-802	1



Connecting cable ▶ Plug - Free end ▶ Protection class: IP20; IP40 when mated			
Total length	Connector color/Strain relief color		PU
	black/black	white/white	
1 m	891-8994/206-101	891-8994/206-102	1
2 m	891-8994/206-201	891-8994/206-202	1
3 m	891-8994/206-301	891-8994/206-302	1
4 m	891-8994/206-401	891-8994/206-402	1
5 m	891-8994/206-501	891-8994/206-502	1
6 m	891-8994/206-601	891-8994/206-602	1
7 m	891-8994/206-701	891-8994/206-702	1
8 m	891-8994/206-801	891-8994/206-802	1

Accessories; for all products on this page



Locking lever; for flying leads; manually operated		
Color	Item No.	PU (SPU)
● black	890-101	100 (50)
○ white	890-121	100 (50)



Locking lever; for flying leads; tool operated		
Color	Item No.	PU (SPU)
● black	890-111	100 (50)
○ white	890-131	100 (50)



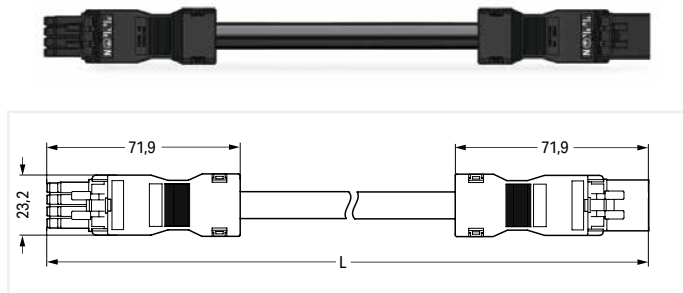
Mounting carrier; for flying leads; 2- to 5-pole		
Color	Item No.	PU
● black	890-310	100
○ white	890-311	100

PU = Packaging Unit; SPU = Subpackaging Unit; Dimensions in mm

# Cable Assembly ▶ WINSTA® MINI ▶ 891 Series

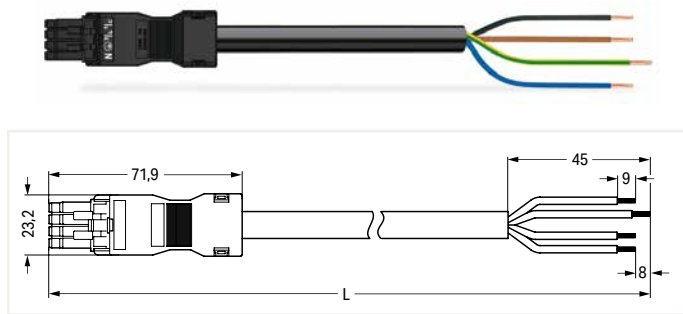
Pole No.: 4 ▶ Fire class per EN 50575: E<sub>ca</sub> ▶ Coding: A ▶ 1.5 mm<sup>2</sup> ▶ Marking: N ⊕ 2/L 1/L' ▶ Halogen-free ▶ Sheathed cable diameter: 8.4 ... 10.5 mm ▶ H05Z1Z1-F 4G1.5 ▶ General mains applications

1



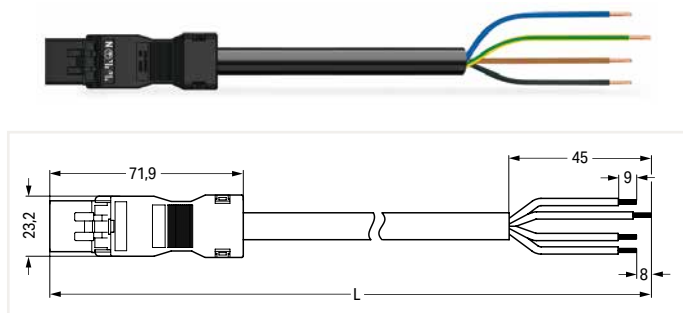
Interconnecting cable ▶ Socket - Plug ▶ Protection class: IP20; IP40 when mated

Total length	Connector color/Strain relief color		PU
	black/black	white/white	
1 m	891-8994/016-101	891-8994/016-102	1
2 m	891-8994/016-201	891-8994/016-202	1
3 m	891-8994/016-301	891-8994/016-302	1
4 m	891-8994/016-401	891-8994/016-402	1
5 m	891-8994/016-501	891-8994/016-502	1
6 m	891-8994/016-601	891-8994/016-602	1
7 m	891-8994/016-701	891-8994/016-702	1
8 m	891-8994/016-801	891-8994/016-802	1



Connecting cable ▶ Socket - Free end ▶ Protection class: IP40

Total length	Connector color/Strain relief color		PU
	black/black	white/white	
1 m	891-8994/116-101	891-8994/116-102	1
2 m	891-8994/116-201	891-8994/116-202	1
3 m	891-8994/116-301	891-8994/116-302	1
4 m	891-8994/116-401	891-8994/116-402	1
5 m	891-8994/116-501	891-8994/116-502	1
6 m	891-8994/116-601	891-8994/116-602	1
7 m	891-8994/116-701	891-8994/116-702	1
8 m	891-8994/116-801	891-8994/116-802	1



Connecting cable ▶ Plug - Free end ▶ Protection class: IP20; IP40 when mated

Total length	Connector color/Strain relief color		PU
	black/black	white/white	
1 m	891-8994/216-101	891-8994/216-102	1
2 m	891-8994/216-201	891-8994/216-202	1
3 m	891-8994/216-301	891-8994/216-302	1
4 m	891-8994/216-401	891-8994/216-402	1
5 m	891-8994/216-501	891-8994/216-502	1
6 m	891-8994/216-601	891-8994/216-602	1
7 m	891-8994/216-701	891-8994/216-702	1
8 m	891-8994/216-801	891-8994/216-802	1

Accessories; for all products on this page



Locking lever; for flying leads; manually operated		
Color	Item No.	PU (SPU)
● black	890-101	100 (50)
○ white	890-121	100 (50)

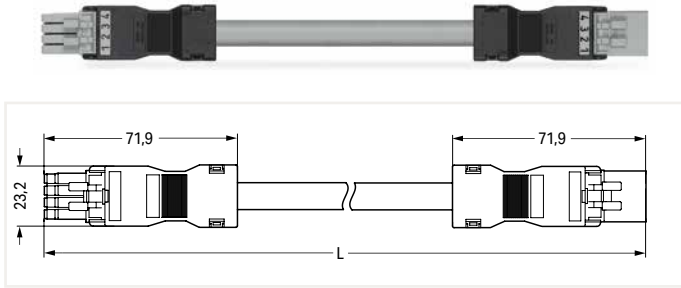
Locking lever; for flying leads; tool operated		
Color	Item No.	PU (SPU)
● black	890-111	100 (50)
○ white	890-131	100 (50)

Mounting carrier; for flying leads; 2- to 5-pole		
Color	Item No.	PU
● black	890-310	100
○ white	890-311	100

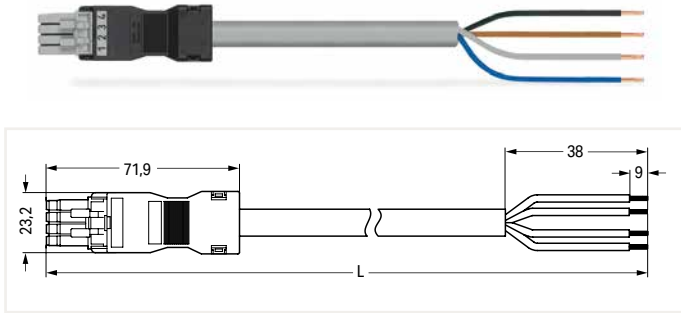
PU = Packaging Unit; SPU = Subpackaging Unit; Dimensions in mm

### Cable Assembly ▶ WINSTA® MINI ▶ 891 Series

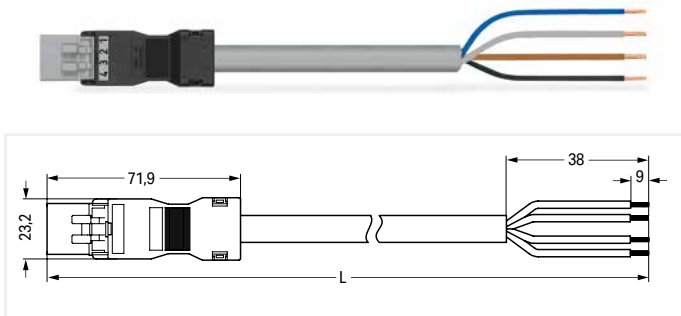
Pole No.: 4 ▶ Fire class per EN 50575: E<sub>ca</sub> ▶ Coding: B ▶ 1 mm<sup>2</sup> ▶ Marking: 1 2 3 4 ▶ PVC ▶ Sheathed cable diameter: 7.1 ... 9 mm ▶ Control line 4 x 1 ▶ Measurement and regulation technology



Interconnecting cable ▶ Socket - Plug ▶ Protection class: IP20; IP40 when mated				
Total length	Connector color/Strain relief color			PU
	gray/black	light green/black	pink/black	
1 m	891-8994/005-103	891-8994/005-105	891-8994/005-107	1
2 m	891-8994/005-203	891-8994/005-205	891-8994/005-207	1
3 m	891-8994/005-303	891-8994/005-305	891-8994/005-307	1
4 m	891-8994/005-403	891-8994/005-405	891-8994/005-407	1
5 m	891-8994/005-503	891-8994/005-505	891-8994/005-507	1
6 m	891-8994/005-603	891-8994/005-605	891-8994/005-607	1
7 m	891-8994/005-703	891-8994/005-705	891-8994/005-707	1
8 m	891-8994/005-803	891-8994/005-805	891-8994/005-807	1



Connecting cable ▶ Socket - Free end ▶ Protection class: IP40				
Total length	Connector color/Strain relief color			PU
	gray/black	light green/black	pink/black	
1 m	891-8994/105-103	891-8994/105-105	891-8994/105-107	1
2 m	891-8994/105-203	891-8994/105-205	891-8994/105-207	1
3 m	891-8994/105-303	891-8994/105-305	891-8994/105-307	1
4 m	891-8994/105-403	891-8994/105-405	891-8994/105-407	1
5 m	891-8994/105-503	891-8994/105-505	891-8994/105-507	1
6 m	891-8994/105-603	891-8994/105-605	891-8994/105-607	1
7 m	891-8994/105-703	891-8994/105-705	891-8994/105-707	1
8 m	891-8994/105-803	891-8994/105-805	891-8994/105-807	1



Connecting cable ▶ Plug - Free end ▶ Protection class: IP20; IP40 when mated				
Total length	Connector color/Strain relief color			PU
	gray/black	light green/black	pink/black	
1 m	891-8994/205-103	891-8994/205-105	891-8994/205-107	1
2 m	891-8994/205-203	891-8994/205-205	891-8994/205-207	1
3 m	891-8994/205-303	891-8994/205-305	891-8994/205-307	1
4 m	891-8994/205-403	891-8994/205-405	891-8994/205-407	1
5 m	891-8994/205-503	891-8994/205-505	891-8994/205-507	1
6 m	891-8994/205-603	891-8994/205-605	891-8994/205-607	1
7 m	891-8994/205-703	891-8994/205-705	891-8994/205-707	1
8 m	891-8994/205-803	891-8994/205-805	891-8994/205-807	1

Accessories; for all products on this page



Locking lever; for flying leads; manually operated			
Color	Item No.	PU (SPU)	
● black	890-101	100 (50)	
○ white	890-121	100 (50)	



Locking lever; for flying leads; tool operated			
Color	Item No.	PU (SPU)	
● black	890-111	100 (50)	
○ white	890-131	100 (50)	



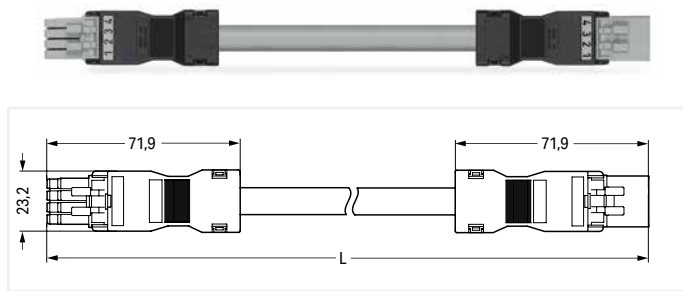
Mounting carrier; for flying leads; 2- to 5-pole			
Color	Item No.	PU	
● black	890-310	100	
○ white	890-311	100	

PU = Packaging Unit; SPU = Subpackaging Unit; Dimensions in mm

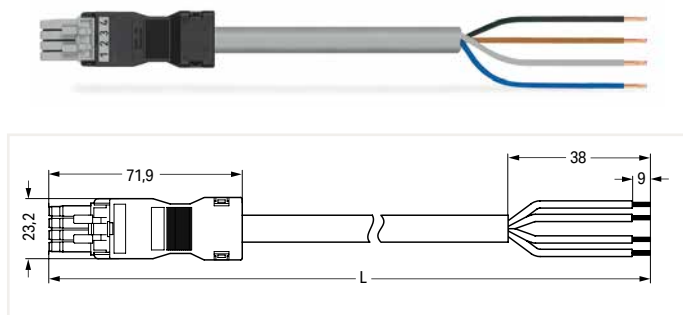
# Cable Assembly ▶ WINSTA® MINI ▶ 891 Series

Pole No.: 4 ▶ Fire class per EN 50575: E<sub>Ca</sub> ▶ Coding: B ▶ 1.5 mm<sup>2</sup> ▶ Marking: 1 2 3 4 ▶ PVC ▶ Sheathed cable diameter: 8.4 ... 10.5 mm ▶ Control line 4 x 1.5 ▶ Measurement and regulation technology

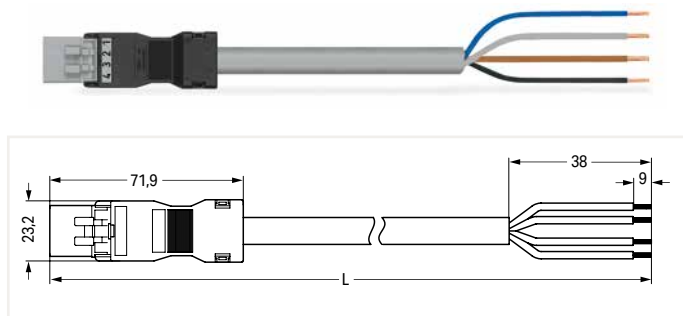
1



Interconnecting cable ▶ Socket - Plug ▶ Protection class: IP20; IP40 when mated				
Total length	Connector color/Strain relief color			PU
	gray/black	light green/black	pink/black	
1 m	891-8994/006-103	891-8994/006-105	891-8994/006-107	1
2 m	891-8994/006-203	891-8994/006-205	891-8994/006-207	1
3 m	891-8994/006-303	891-8994/006-305	891-8994/006-307	1
4 m	891-8994/006-403	891-8994/006-405	891-8994/006-407	1
5 m	891-8994/006-503	891-8994/006-505	891-8994/006-507	1
6 m	891-8994/006-603	891-8994/006-605	891-8994/006-607	1
7 m	891-8994/006-703	891-8994/006-705	891-8994/006-707	1
8 m	891-8994/006-803	891-8994/006-805	891-8994/006-807	1



Connecting cable ▶ Socket - Free end ▶ Protection class: IP40				
Total length	Connector color/Strain relief color			PU
	gray/black	light green/black	pink/black	
1 m	891-8994/106-103	891-8994/106-105	891-8994/106-107	1
2 m	891-8994/106-203	891-8994/106-205	891-8994/106-207	1
3 m	891-8994/106-303	891-8994/106-305	891-8994/106-307	1
4 m	891-8994/106-403	891-8994/106-405	891-8994/106-407	1
5 m	891-8994/106-503	891-8994/106-505	891-8994/106-507	1
6 m	891-8994/106-603	891-8994/106-605	891-8994/106-607	1
7 m	891-8994/106-703	891-8994/106-705	891-8994/106-707	1
8 m	891-8994/106-803	891-8994/106-805	891-8994/106-807	1



Connecting cable ▶ Plug - Free end ▶ Protection class: IP20; IP40 when mated				
Total length	Connector color/Strain relief color			PU
	gray/black	light green/black	pink/black	
1 m	891-8994/206-103	891-8994/206-105	891-8994/206-107	1
2 m	891-8994/206-203	891-8994/206-205	891-8994/206-207	1
3 m	891-8994/206-303	891-8994/206-305	891-8994/206-307	1
4 m	891-8994/206-403	891-8994/206-405	891-8994/206-407	1
5 m	891-8994/206-503	891-8994/206-505	891-8994/206-507	1
6 m	891-8994/206-603	891-8994/206-605	891-8994/206-607	1
7 m	891-8994/206-703	891-8994/206-705	891-8994/206-707	1
8 m	891-8994/206-803	891-8994/206-805	891-8994/206-807	1

Accessories; for all products on this page



Locking lever; for flying leads; manually operated			
Color	Item No.	PU (SPU)	
● black	890-101	100 (50)	
○ white	890-121	100 (50)	

Locking lever; for flying leads; tool operated			
Color	Item No.	PU (SPU)	
● black	890-111	100 (50)	
○ white	890-131	100 (50)	

Mounting carrier; for flying leads; 2- to 5-pole			
Color	Item No.	PU	
● black	890-310	100	
○ white	890-311	100	

PU = Packaging Unit; SPU = Subpackaging Unit; Dimensions in mm





## Pluggable Connector ▶ WINSTA® MINI ▶ 890 Series

Pole No.: 5

1



- Protected against mismatching and maintenance-free
- Push-in CAGE CLAMP® spring pressure connection technology allows solid conductors to be simply pushed into a unit
- Compact design with 4.4 mm pole spacing
- When assembled the installation connectors complies with IP40 and are suitable for easily accessible areas

### Electrical Data

Connectable sheathed cable diameter	6.5 ... 10.5 mm			B;I		
Coding	A			B;I		
Ratings per	IEC/EN 60664-1			IEC/EN 60664-1		
Overvoltage category	III	III	II	III	III	II
Pollution degree	3	2	2	3	2	2
Rated voltage	400 V	-	-	400 V	-	-
Rated impulse voltage	6 kV	-	-	6 kV	-	-
Rated current	13 A	-	-	16 A	-	-
Approbations per	UL 1977			UL 1977		
Rated voltage	600 V			600 V		
Rated current	12 A			12 A		

### Connection Data

Connection technology	Push-in CAGE CLAMP®
Strip length	9 mm / 0.35 inch
Nominal cross-section	1.5 mm <sup>2</sup>
Solid conductor	0.25 ... 1.5 mm <sup>2</sup> / 22 ... 16 AWG
Solid conductor; push-in termination	0.75 ... 1.5 mm <sup>2</sup> / 20 ... 16 AWG
Stranded conductor	0.25 ... 1 mm <sup>2</sup> / 22 ... 18 AWG
Fine-stranded conductor	0.25 ... 1.5 mm <sup>2</sup> / 22 ... 16 AWG
Fine-stranded conductor; with insulated ferrule	0.25 ... 0.75 mm <sup>2</sup> / 22 ... 20 AWG
Fine-stranded conductor; with uninsulated ferrule	0.25 ... 0.75 mm <sup>2</sup> / 22 ... 20 AWG
Fine-stranded conductor; with ferrule; push-in termination	0.75 mm <sup>2</sup> / 20 AWG

### Material Data

Insulation material	Polyamide (PA66)
Clamping spring material	Chrome nickel spring steel (CrNi)
Contact material	Copper or copper alloy (surface-treated)

### Mechanical Data

Number of mating cycles	200, without resistive load
Mating force of a plug-in connection	approx. 20 ... 70 N (depending on pole number)
Unmating force of a plug-in connection	Unlocked: approx. 20 ... 70 N (depending on pole number)
Retention force of a plug-in connection	Locked: > 80 N

### Environmental Requirements

Processing temperature	-5 ... +40 °C
Continuous operating temperature	-35 ... +85 °C
Note on continuous operating temperature	Insulating parts for temperatures ≤ 105 °C

All WINSTA® components are 100% protected against mismatching when:

- plugging different numbers of poles
- plugging while rotated 180
- plugging while laterally staggered
- plugging one pole

Shield termination [Page 375](#)

Tool [Page 400](#)

See technical section for further information

For approvals and corresponding ratings, visit [www.wago.com](http://www.wago.com)

# Pluggable Connector ▶ WINSTA® MINI ▶ 890 Series

## Pole No.: 5

Strain relief housing ▶ Female connector/socket ▶ Strip length (outer insulation): 45 mm ▶ Connectable sheathed cable diameter: 6.5 ... 10.5 mm ▶ Protection class: IP40

Strain relief housing ▶ Male connector/plug ▶ Strip length (outer insulation): 45 mm ▶ Connectable sheathed cable diameter: 6.5 ... 10.5 mm ▶ Protection class: IP40



890-105



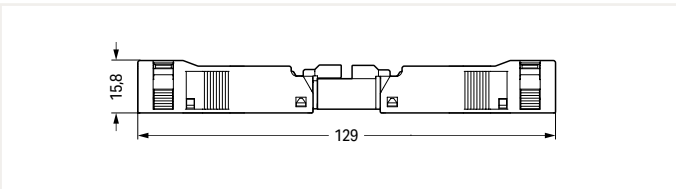
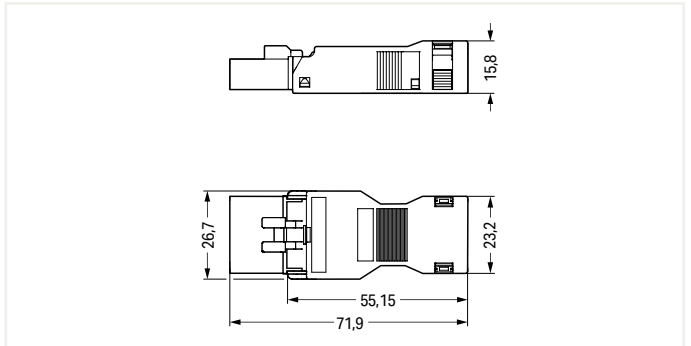
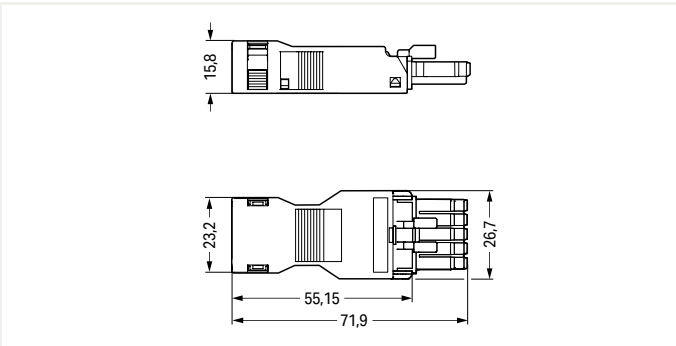
890-115

### General mains applications

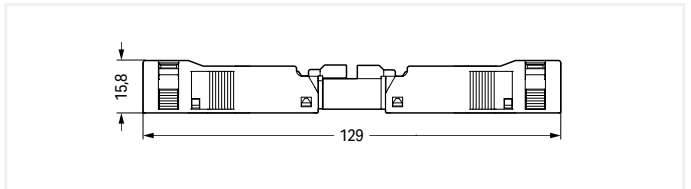
Color	Coding	Marking	Item No.	PU
● black	A	N ⊕ 1 2 3	890-105	50
○ white	A	N ⊕ 1 2 3	890-125	50

### General mains applications

Color	Coding	Marking	Item No.	PU
● black	A	N ⊕ 1 2 3	890-115	50
○ white	A	N ⊕ 1 2 3	890-135	50



Overall length when mated



Overall length when mated

### Accessories; for all products on this page



Locking lever; for flying leads; manually operated		
Color	Item No.	PU (SPU)
● black	890-101	100 (50)
○ white	890-121	100 (50)



Locking lever; for flying leads; tool operated		
Color	Item No.	PU (SPU)
● black	890-111	100 (50)
○ white	890-131	100 (50)



Mounting carrier; for flying leads; 2- to 5-pole		
Color	Item No.	PU
● black	890-310	100
○ white	890-311	100



Operating tool; for WAGO WINSTA® MINI Connectors; Pole No.: 5		
Color	Item No.	PU
● green	890-385	1

PU = Packaging Unit; SPU = Subpackaging Unit; Dimensions in mm

# Pluggable Connector ▶ WINSTA® MINI ▶ 890 Series

## Pole No.: 5

Female connector/socket ▶ Protection class: IP20; IP40 with strain relief housing

1



890-205

### General mains applications

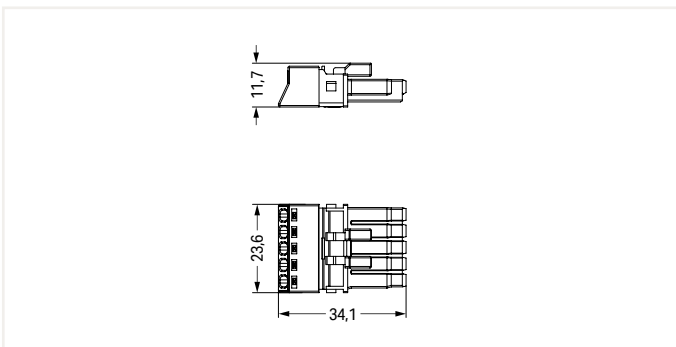
Color	Coding	Marking	Item No.	PU
● black	A	N ⊕ 1 2 3	890-205	50
○ white	A	N ⊕ 1 2 3	890-225	50

### DALI, Lighting Management

Color	Coding	Marking	Item No.	PU
● blue	I	N ⊕ L - +	890-1105	50

### Measurement and regulation technology

Color	Coding	Marking	Item No.	PU
● gray	B	1 2 3 4 5	890-245	50
● gray	B	N ⊕ L1 L2 L3	890-245/060-000	50
● gray	B	N ⊕ 3 2 1	890-245/062-000	50
● light green	B	1 2 3 4 5	890-265	50
● light green	B	1 ⊕ 2 3 4	890-265/073-000	50
● pink	B	1 2 3 4 5	890-285	50
● pink	B	N ⊕ L   -   +	890-285/080-000	50
● pink	B	N ⊕ L - +	890-285/082-000	50



### Accessories; for all products on this page



#### Locking lever; for flying leads; manually operated

Color	Item No.	PU (SPU)
● black	890-101	100 (50)
○ white	890-121	100 (50)



#### Locking lever; for flying leads; tool operated

Color	Item No.	PU (SPU)
● black	890-111	100 (50)
○ white	890-131	100 (50)



#### Mounting carrier; for flying leads; 2- to 5-pole

Color	Item No.	PU
● black	890-310	100
○ white	890-311	100



#### Operating tool; for WAGO WINSTA® MINI Connectors; Pole No.: 5

Color	Item No.	PU
● green	890-385	1



#### Strain relief housing; Connectable sheathed cable diameter: 6.5 ... 10.5 mm; Strip length (outer insulation): 45 mm

Color	Item No.	PU
● black	890-505	50
○ white	890-515	50

PU = Packaging Unit; SPU = Subpackaging Unit; Dimensions in mm

## Pluggable Connector ▶ WINSTA® MINI ▶ 890 Series

### Pole No.: 5

Male connector/plug ▶ Protection class: IP20; IP40 when mated with strain relief housing



890-215

#### General mains applications

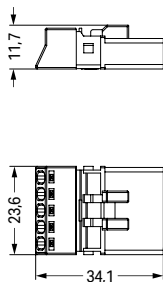
Color	Coding	Marking	Item No.	PU
● black	A	N ⊕ 1 2 3	890-215	50
○ white	A	N ⊕ 1 2 3	890-235	50

#### DALI, Lighting Management

Color	Coding	Marking	Item No.	PU
● blue	I	N ⊕ L - +	890-1115	50

#### Measurement and regulation technology

Color	Coding	Marking	Item No.	PU
● gray	B	1 2 3 4 5	890-255	50
● gray	B	N ⊕ L1 L2 L3	890-255/060-000	50
● gray	B	N ⊕ 3 2 1	890-255/062-000	50
● light green	B	1 2 3 4 5	890-275	50
● light green	B	1 ⊕ 2 3 4	890-275/073-000	50
● pink	B	1 2 3 4 5	890-295	50
● pink	B	N ⊕ L I - I +	890-295/080-000	50
● pink	B	N ⊕ L - +	890-295/082-000	50



#### Accessories; for all products on this page



#### Locking lever; for flying leads; manually operated

Color	Item No.	PU (SPU)
● black	890-101	100 (50)
○ white	890-121	100 (50)



#### Locking lever; for flying leads; tool operated

Color	Item No.	PU (SPU)
● black	890-111	100 (50)
○ white	890-131	100 (50)



#### Mounting carrier; for flying leads; 2- to 5-pole

Color	Item No.	PU
● black	890-310	100
○ white	890-311	100



#### Operating tool; for WAGO WINSTA® MINI Connectors; Pole No.: 5

Color	Item No.	PU
● green	890-385	1



#### Strain relief housing; Connectable sheathed cable diameter: 6.5 ... 10.5 mm; Strip length (outer insulation): 45 mm

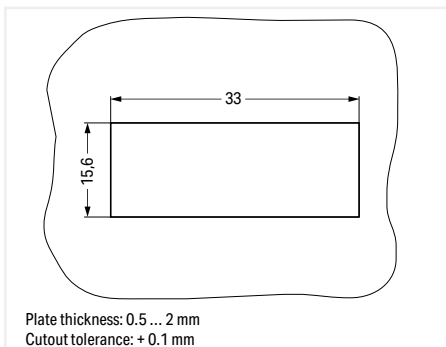
Color	Item No.	PU
● black	890-505	50
○ white	890-515	50

PU = Packaging Unit; SPU = Subpackaging Unit; Dimensions in mm

## Snap-in Device Connector ▶ WINSTA® MINI ▶ 890 Series

Pole No.: 5

1



- Protected against mismatching and maintenance-free
- Push-in CAGE CLAMP® spring pressure connection technology allows solid conductors to be simply pushed into a unit.
- Low profile with 4.4 mm pole spacing
- When assembled, the installation connectors comply with IP40 and are suitable for easily accessible areas.

Electrical Data						
Coding	A			B;I		
Ratings per	IEC/EN 60664-1					
Overvoltage category	III	III	II	III	III	II
Pollution degree	3	2	2	3	2	2
Rated voltage	400 V	-	-	400 V	-	-
Rated impulse voltage	6 kV	-	-	6 kV	-	-
Rated current	13 A	-	-	16 A	-	-
Approbations per	UL 1977			UL 1977		
Rated voltage	600 V			600 V		
Rated current	12 A			12 A		

Connection Data	
Connection technology	Push-in CAGE CLAMP®
Strip length	9 mm / 0.35 inch
Nominal cross-section	1.5 mm <sup>2</sup>
Solid conductor	0.25 ... 1.5 mm <sup>2</sup> / 22 ... 16 AWG
Solid conductor; push-in termination	0.75 ... 1.5 mm <sup>2</sup> / 20 ... 16 AWG
Stranded conductor	0.25 ... 1 mm <sup>2</sup> / 22 ... 18 AWG
Fine-stranded conductor	0.25 ... 1.5 mm <sup>2</sup> / 22 ... 16 AWG
Fine-stranded conductor; with insulated ferrule	0.25 ... 0.75 mm <sup>2</sup> / 22 ... 20 AWG
Fine-stranded conductor; with uninsulated ferrule	0.25 ... 0.75 mm <sup>2</sup> / 22 ... 20 AWG
Fine-stranded conductor; with ferrule; push-in termination	0.75 mm <sup>2</sup> / 20 AWG

Material Data	
Insulation material	Polyamide (PA66)
Clamping spring material	Chrome nickel spring steel (CrNi)
Contact material	Copper or copper alloy (surface-treated)

Mechanical Data	
Number of mating cycles	200, without resistive load
Mating force of a plug-in connection	approx. 20 ... 70 N (depending on pole number)
Unmating force of a plug-in connection	Unlocked: approx. 20 ... 70 N (depending on pole number)
Retention force of a plug-in connection	Locked: > 80 N

Environmental Requirements	
Processing temperature	-5 ... +40 °C
Continuous operating temperature	-35 ... +85 °C
Note on continuous operating temperature	Insulating parts for temperatures ≤ 105 °C

All WINSTA® components are 100% protected against mismatching when:

- a.) plugging different numbers of poles
- b.) plugging while rotated 180
- c.) plugging while laterally staggered
- d.) plugging one pole

Tool Page 400

See technical section for further information

For approvals and corresponding ratings, visit [www.wago.com](http://www.wago.com)

# Snap-in Device Connector ▶ WINSTA® MINI ▶ 890 Series

## Pole No.: 5

Female connector/socket ▶ Protection class: IP40

Male connector/plug ▶ Protection class: IP20; IP40 when mated



890-705



890-715

**General mains applications**

Color	Coding	Marking	Item No.	PU (SPU)
● black	A	N ⊕ 1 2 3	890-705	50 (50)
○ white	A	N ⊕ 1 2 3	890-725	50 (50)

**Measurement and regulation technology**

Color	Coding	Marking	Item No.	PU (SPU)
● gray	B	1 2 3 4 5	890-745	50 (50)
● gray	B	N ⊕ L1 L2 L3	890-745/060-000	50 (50)
● gray	B	N ⊕ 3 2 1	890-745/062-000	50 (50)
● light green	B	1 2 3 4 5	890-765	50 (50)
● light green	B	1 ⊕ 2 3 4	890-765/073-000	50 (50)
● pink	B	1 2 3 4 5	890-785	50 (50)
● pink	B	N ⊕ L I - I +	890-785/080-000	50 (50)
● pink	B	N ⊕ L - +	890-785/082-000	50 (50)

**DALI, Lighting Management**

Color	Coding	Marking	Item No.	PU (SPU)
● blue	I	N ⊕ L - +	890-2105	50 (50)

**General mains applications**

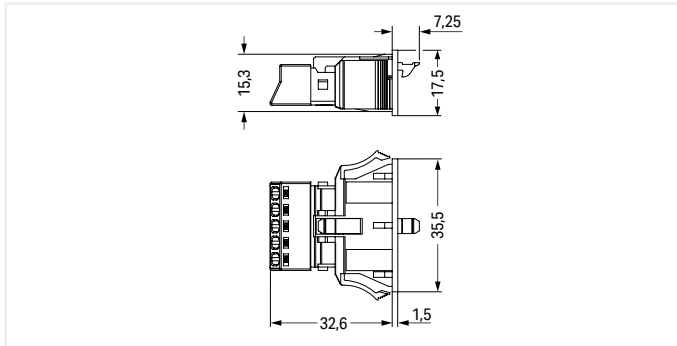
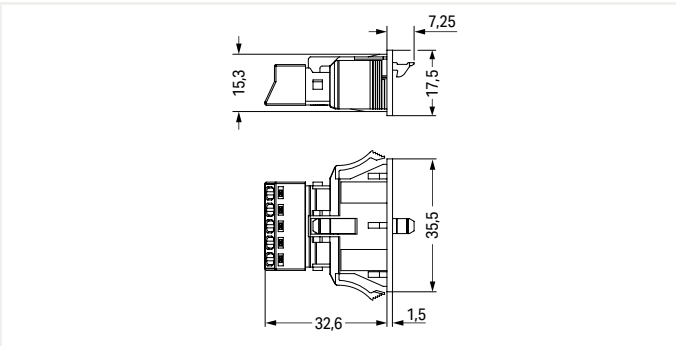
Color	Coding	Marking	Item No.	PU (SPU)
● black	A	N ⊕ 1 2 3	890-715	50 (25)
○ white	A	N ⊕ 1 2 3	890-735	50 (50)

**Measurement and regulation technology**

Color	Coding	Marking	Item No.	PU (SPU)
● gray	B	1 2 3 4 5	890-755	50 (50)
● gray	B	N ⊕ L1 L2 L3	890-755/060-000	50 (50)
● gray	B	N ⊕ 3 2 1	890-755/062-000	50 (50)
● light green	B	1 2 3 4 5	890-775	50 (50)
● light green	B	1 ⊕ 2 3 4	890-775/073-000	50 (50)
● pink	B	1 2 3 4 5	890-795	50 (50)
● pink	B	N ⊕ L I - I +	890-795/080-000	50 (50)
● pink	B	N ⊕ L - +	890-795/082-000	50 (50)

**DALI, Lighting Management**

Color	Coding	Marking	Item No.	PU (SPU)
● blue	I	N ⊕ L - +	890-2115	50 (50)



**Accessories; for all products on this page**



Lockout cap; for cutout; Pole No.: 3

Color	Item No.	PU
● black	770-643	100
○ white	770-693	100



Operating tool; for WAGO WINSTA® MINI Connectors; Pole No.: 5

Color	Item No.	PU
● green	890-385	1

PU = Packaging Unit; SPU = Subpackaging Unit; Dimensions in mm



## Pluggable PCB Connector ▶ WINSTA® MINI ▶ 890 Series

Pole No.: 5

1



- Protected against mismatching and maintenance-free
- Push-in CAGE CLAMP® spring pressure connection technology allows solid conductors to be simply pushed into a unit.
- Low profile with 4.4 mm pole spacing

Electrical Data						
Coding	A			B;I		
Ratings per	IEC/EN 60664-1			IEC/EN 60664-1		
Overvoltage category	III	III	II	III	III	II
Pollution degree	3	2	2	3	2	2
Rated voltage	250 V	-	-	250 V	-	-
Rated impulse voltage	4 kV	-	-	4 kV	-	-
Rated current	13 A	-	-	16 A	-	-
Approbations per	UL 1977			UL 1977		
Rated voltage	600 V			600 V		
Rated current	12 A			12 A		

Material Data	
Insulation material	Polyamide (PA66)
Clamping spring material	Chrome nickel spring steel (CrNi)
Contact material	Copper or copper alloy (surface-treated)

Mechanical Data	
Solder pin arrangement	2 in-line solder pins/pole
Solder pin length	3.5 mm
Solder pin dimensions	1 x 0.8 mm
Drilled hole diameter with tolerance	1.3 <sup>(+0.1)</sup> mm
Mating force of a plug-in connection	approx. 20 ... 70 N (depending on pole number)
Unmating force of a plug-in connection	Unlocked: approx. 20 ... 70 N (depending on pole number)
Retention force of a plug-in connection	Locked: > 80 N

Environmental Requirements	
Processing temperature	-5 ... +40 °C
Continuous operating temperature	-35 ... +85 °C
Note on continuous operating temperature	Insulating parts for temperatures ≤ 105 °C

All WINSTA® components are 100% protected against mismatching when:

- plugging different numbers of poles
- plugging while rotated 180
- plugging while laterally staggered
- plugging one pole

See technical section for further information

For approvals and corresponding ratings, visit [www.wago.com](http://www.wago.com)

# Pluggable PCB Connector ▶ WINSTA® MINI ▶ 890 Series

## Pole No.: 5

straight ▶ Female connector/socket

straight ▶ Male connector/plug



890-805

890-815

### General mains applications

Color	Coding	Marking	Item No.	PU
● black	A	N ⊕ 1 2 3	890-805	50
○ white	A	N ⊕ 1 2 3	890-825	50

### General mains applications

Color	Coding	Marking	Item No.	PU
● black	A	N ⊕ 1 2 3	890-815	50
○ white	A	N ⊕ 1 2 3	890-835	50

### Measurement and regulation technology

Color	Coding	Marking	Item No.	PU
● gray	B	1 2 3 4 5	890-845	50
● light green	B	1 2 3 4 5	890-865	50
● pink	B	1 2 3 4 5	890-885	50

### Measurement and regulation technology

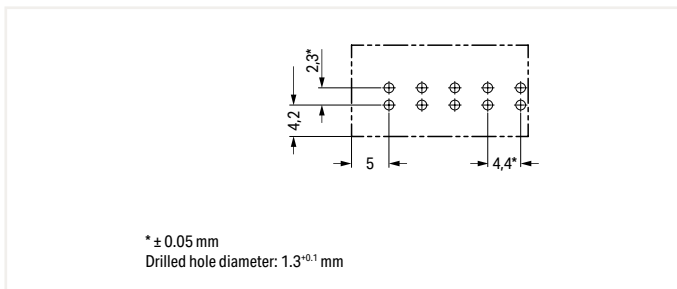
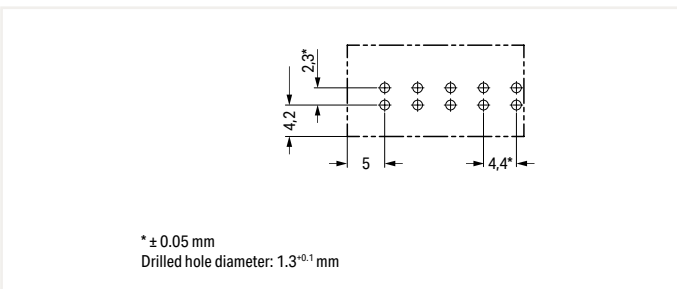
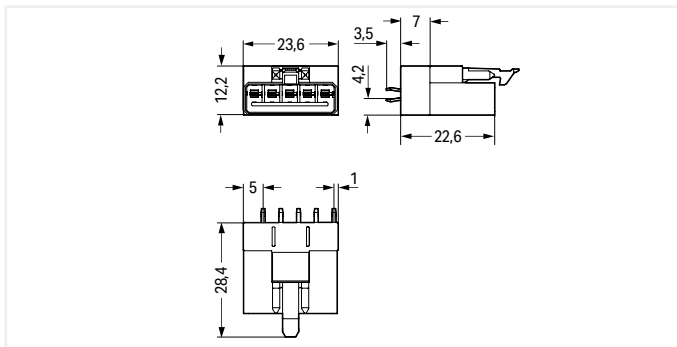
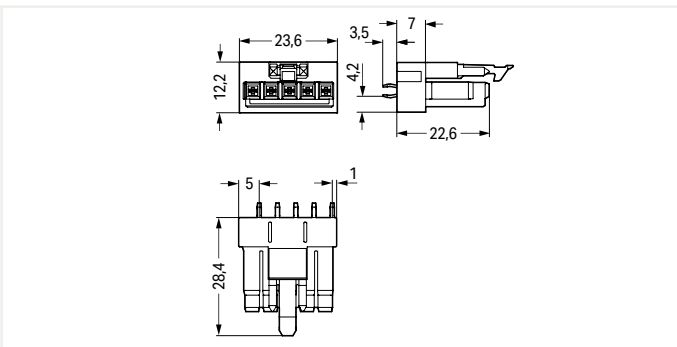
Color	Coding	Marking	Item No.	PU
● gray	B	1 2 3 4 5	890-855	50
● light green	B	1 2 3 4 5	890-875	50
● pink	B	1 2 3 4 5	890-895	50

### DALI, Lighting Management

Color	Coding	Marking	Item No.	PU
● blue	I	N ⊕ L - +	890-3105	50

### DALI, Lighting Management

Color	Coding	Marking	Item No.	PU
● blue	I	N ⊕ L - +	890-3115	50



# Pluggable PCB Connector ▶ WINSTA® MINI ▶ 890 Series

## Pole No.: 5

angled ▶ Female connector/socket

angled ▶ Male connector/plug



890-805/011-000

890-815/011-000

**General mains applications**

Color	Coding	Marking	Item No.	PU
● black	A	N ⊕ 1 2 3	890-805/011-000	50
○ white	A	N ⊕ 1 2 3	890-825/011-000	50

**Measurement and regulation technology**

Color	Coding	Marking	Item No.	PU
● gray	B	1 2 3 4 5	890-845/011-000	50
● light green	B	1 2 3 4 5	890-865/011-000	50
● pink	B	1 2 3 4 5	890-885/011-000	50

**DALI, Lighting Management**

Color	Coding	Marking	Item No.	PU
● blue	I	N ⊕ L - +	890-3105/011-000	50

**General mains applications**

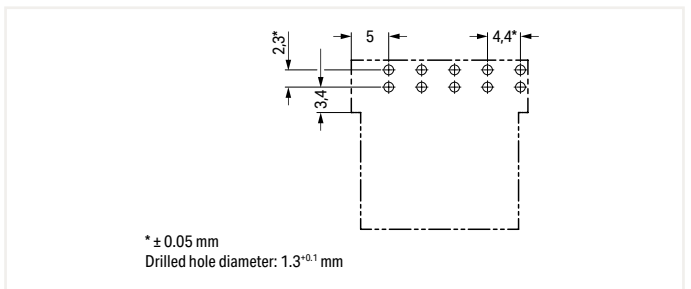
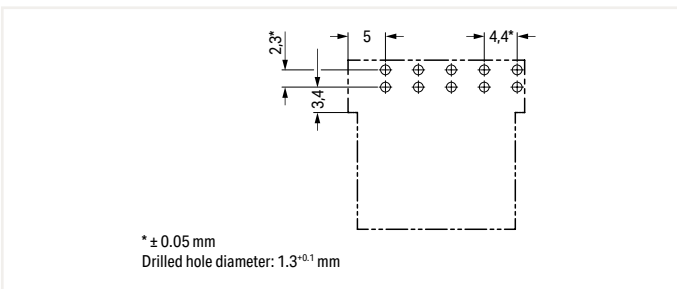
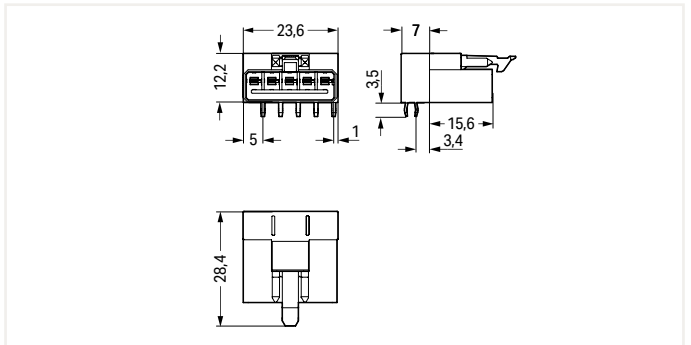
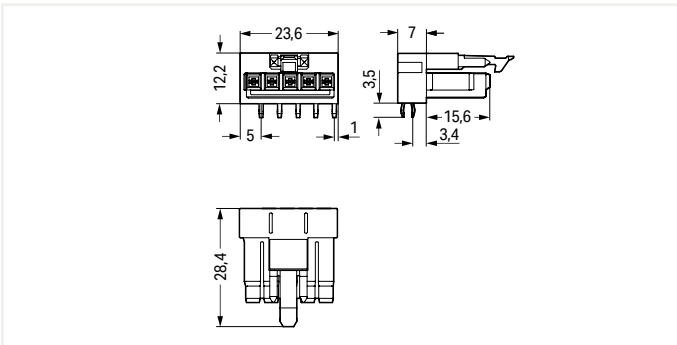
Color	Coding	Marking	Item No.	PU
● black	A	N ⊕ 1 2 3	890-815/011-000	50
○ white	A	N ⊕ 1 2 3	890-835/011-000	50

**Measurement and regulation technology**

Color	Coding	Marking	Item No.	PU
● gray	B	1 2 3 4 5	890-855/011-000	50
● light green	B	1 2 3 4 5	890-875/011-000	50
● pink	B	1 2 3 4 5	890-895/011-000	50

**DALI, Lighting Management**

Color	Coding	Marking	Item No.	PU
● blue	I	N ⊕ L - +	890-3115/011-000	50



PU = Packaging Unit; SPU = Subpackaging Unit; Dimensions in mm



## Distribution Connector ▶ WINSTA® MINI ▶ 890 Series

### Pole No.: 5 ▶ Protection class: IP20; IP40 when mated

1



- Protected against mismatching and maintenance-free
- Low profile with 4.4 mm pole spacing

Electrical Data						
Coding	A			I		
Ratings per	IEC/EN 60664-1			IEC/EN 60664-1		
Overvoltage category	III	III	II	III	III	II
Pollution degree	3	2	2	3	2	2
Rated voltage	400 V	-	-	400 V	-	-
Rated impulse voltage	6 kV	-	-	6 kV	-	-
Rated current	13 A	-	-	16 A	-	-
Approbations per	UL 1977			UL 1977		
Rated voltage	600 V			600 V		
Rated current	12 A			12 A		
Material Data						
Insulation material	Polyamide (PA66)					
Contact material	Copper or copper alloy (surface-treated)					
Mechanical Data						
Number of mating cycles	200, without resistive load					
Mating force of a plug-in connection	Approx. 20 ... 70 N (depending on pole number)					
Unmating force of a plug-in connection	Unlocked: approx. 20 ... 70 N (depending on pole number)					
Retention force of a plug-in connection	When locked: > 80 N					
Protection type	IP20					
Note on protection type	IP40 when mated					
Environmental Requirements						
Processing temperature	-5 ... +40 °C					
Continuous operating temperature	-35 ... +85 °C					
Note on continuous operating temperature	Insulating parts for temperatures ≤ 105 °C					

All WINSTA® components are 100% protected against mismatching when:

- plugging different numbers of poles
- plugging while rotated 180
- plugging while laterally staggered
- plugging one pole

At least one snap-in connector **without** a locking lever is required on one side when connecting two lights directly via intermediate coupler.

See technical section for further information

For approvals and corresponding ratings, visit [www.wago.com](http://www.wago.com)

## Distribution Connector ▶ WINSTA® MINI ▶ 890 Series

Pole No.: 5 ▶ Protection class: IP20; IP40 when mated

Intermediate coupler



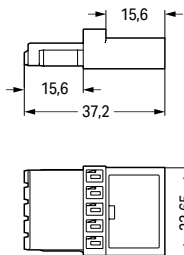
890-605

### General mains applications

Color	Coding	com_Aufdruck	Item No.	PU
● black	A		890-605	50
○ white	A		890-655	50

### DALI, Lighting Management

Color	Coding	com_Aufdruck	Item No.	PU
● blue	I		890-619	50



PU = Packaging Unit; SPU = Subpackaging Unit; Dimensions in mm

# Distribution Connector ▶ WINSTA® MINI ▶ 890 Series

Pole No.: 5 ▶ Protection class: IP20; IP40 when mated

T-distribution connector ▶ Number of locking levers: 2

T-distribution connector ▶ Number of locking levers: 3 ▶ for flying leads

1



890-621



890-622

**General mains applications**

Color	Coding	Marking	Item No.	PU
● black	A	N ⊕ 1 2 3	890-621	25
○ white	A	N ⊕ 1 2 3	890-671	25

**DALI, Lighting Management**

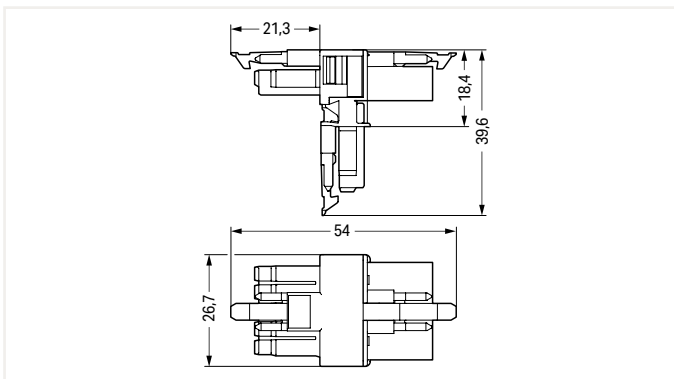
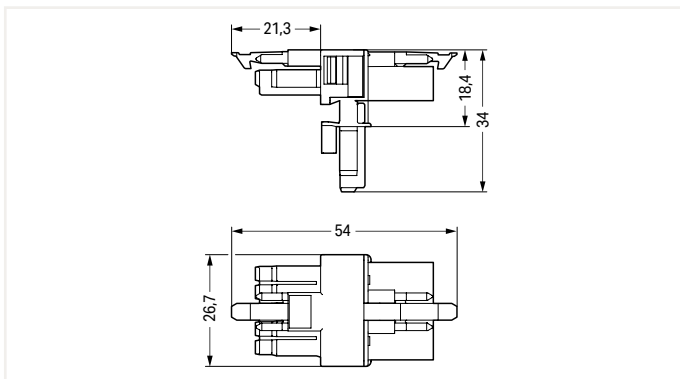
Color	Coding	Marking	Item No.	PU
● blue	I	N ⊕ L - +	890-617	25

**General mains applications**

Color	Coding	Marking	Item No.	PU
● black	A	N ⊕ 1 2 3	890-622	25
○ white	A	N ⊕ 1 2 3	890-672	25

**DALI, Lighting Management**

Color	Coding	Marking	Item No.	PU
● blue	I	N ⊕ L - +	890-620	25





# Distribution Connector ▶ WINSTA® MINI ▶ 890 Series

Pole No.: 5 ▶ Protection class: IP20; IP40 when mated

h-distribution connector (unidirectional) ▶ Number of locking levers: 2

h-distribution connector (unidirectional) ▶ Number of locking levers: 3 ▶ for flying leads



890-929



890-930

**General mains applications**

Color	Coding	Marking	Item No.	PU
● black	A	N ⊕ 1 2 3	890-929	50
○ white	A	N ⊕ 1 2 3	890-979	50

**DALI, Lighting Management**

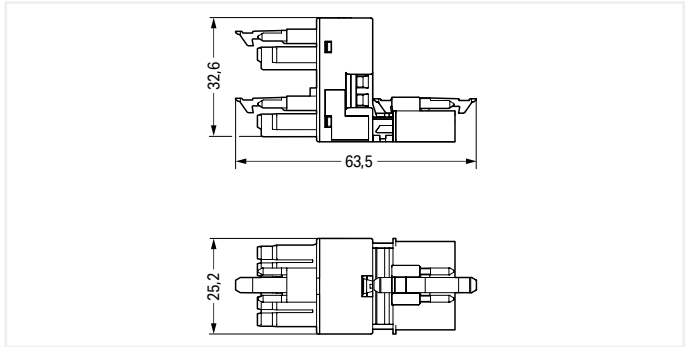
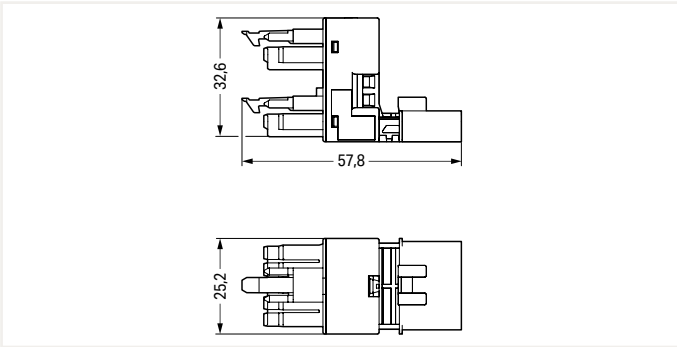
Color	Coding	Marking	Item No.	PU
● blue	I	N ⊕ L - +	890-982	50

**General mains applications**

Color	Coding	Marking	Item No.	PU
● black	A	N ⊕ 1 2 3	890-930	50
○ white	A	N ⊕ 1 2 3	890-980	50

**DALI, Lighting Management**

Color	Coding	Marking	Item No.	PU
● blue	I	N ⊕ L - +	890-983	50



**Accessories; for all products on this page**



Mounting plate; for distribution connectors (except T-distribution connectors); 5-pole

Color	Item No.	PU (SPU)
● black	890-625	50 (50)
○ white	890-675	50 (50)

PU = Packaging Unit; SPU = Subpackaging Unit; Dimensions in mm

## Cable Assembly ▶ WINSTA® MINI ▶ 891 Series

Pole No.: 5 ▶ Fire class per EN 50575: E<sub>ca</sub>

1



- Protected against mismatching and maintenance-free
- Low profile with 4.4 mm pole spacing

Electrical Data									
Coding	A			B			B;I		
Wire cross-section	1.5 mm <sup>2</sup>			1 mm <sup>2</sup>			1.5 mm <sup>2</sup>		
Ratings per	IEC/EN 60664-1			IEC/EN 60664-1			IEC/EN 60664-1		
Overtoltage category	III	III	II	III	III	II	III	III	II
Pollution degree	3	2	2	3	2	2	3	2	2
Rated voltage	400 V	-	-	400 V	-	-	400 V	-	-
Rated impulse voltage	6 kV	-	-	6 kV	-	-	6 kV	-	-
Rated current	13 A	-	-	10 A	-	-	16 A	-	-

Material Data	
Insulation material	Polyamide (PA66)
Contact material	Copper or copper alloy (surface-treated)
Fire class per EN 50575	E <sub>ca</sub>

Mechanical Data	
Number of mating cycles	200, without resistive load
Mating force of a plug-in connection	approx. 20 ... 70 N (depending on pole number)
Unmating force of a plug-in connection	when unlocked: approx. 20 ... 70 N (depending on pole number)
Retention force of a plug-in connection	when locked: > 80N

Environmental Requirements	
Processing temperature	-5 ... +40 °C
Continuous operating temperature	-35 ... +85 °C
Note on continuous operating temperature	PVC cable for temperatures ≤ 70 °C (including halogen-free) Insulating parts for temperatures ≤ 105 °C

All WINSTA® components are 100% protected against mismatching when:

- a.) plugging different numbers of poles
- b.) plugging while rotated 180
- c.) plugging while laterally staggered
- d.) plugging one pole

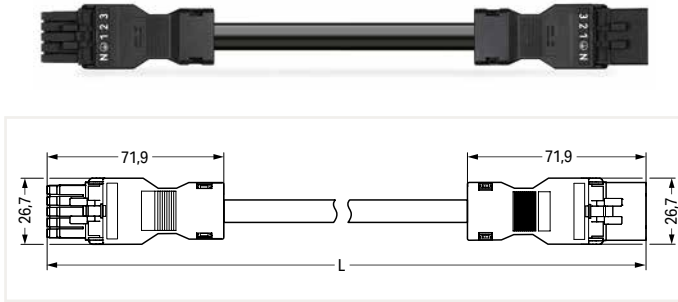
Cables with a different fire class can be found in the eShop.

See technical section for further information

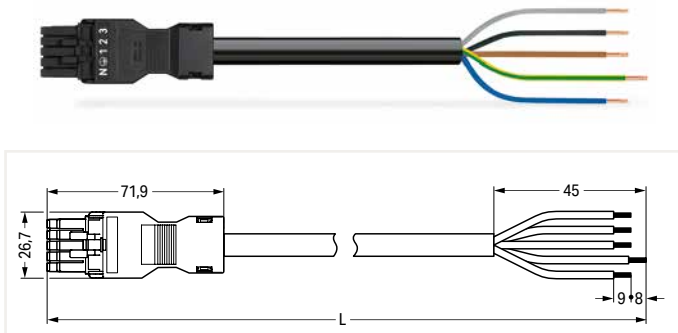
For approvals and corresponding ratings, visit [www.wago.com](http://www.wago.com)

### Cable Assembly ▶ WINSTA® MINI ▶ 891 Series

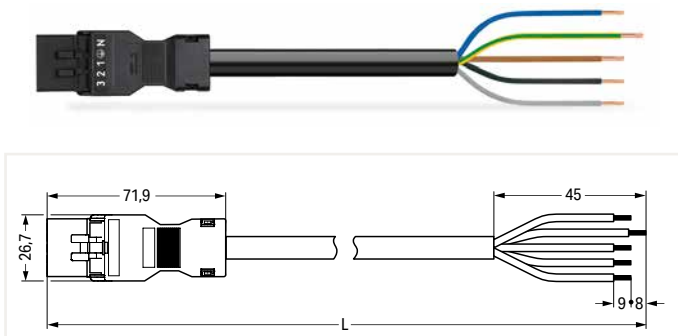
Pole No.: 5 ▶ Fire class per EN 50575: E<sub>ca</sub> ▶ Coding: A ▶ 1.5 mm<sup>2</sup> ▶ Marking: N ⊕ 1 2 3 ▶ PVC ▶ Sheathed cable diameter: 9.3 ... 11.6 mm ▶ H05VV-F 5G1.5 ▶ General mains applications



Interconnecting cable ▶ Socket - Plug ▶ Protection class: IP20; IP40 when mated			
Total length	Connector color/Strain relief color		PU
	black/black	white/white	
1 m	891-8995/006-101	891-8995/006-102	1
2 m	891-8995/006-201	891-8995/006-202	1
3 m	891-8995/006-301	891-8995/006-302	1
4 m	891-8995/006-401	891-8995/006-402	1
5 m	891-8995/006-501	891-8995/006-502	1
6 m	891-8995/006-601	891-8995/006-602	1
7 m	891-8995/006-701	891-8995/006-702	1
8 m	891-8995/006-801	891-8995/006-802	1



Connecting cable ▶ Socket - Free end ▶ Protection class: IP40			
Total length	Connector color/Strain relief color		PU
	black/black	white/white	
1 m	891-8995/106-101	891-8995/106-102	1
2 m	891-8995/106-201	891-8995/106-202	1
3 m	891-8995/106-301	891-8995/106-302	1
4 m	891-8995/106-401	891-8995/106-402	1
5 m	891-8995/106-501	891-8995/106-502	1
6 m	891-8995/106-601	891-8995/106-602	1
7 m	891-8995/106-701	891-8995/106-702	1
8 m	891-8995/106-801	891-8995/106-802	1



Connecting cable ▶ Plug - Free end ▶ Protection class: IP20; IP40 when mated			
Total length	Connector color/Strain relief color		PU
	black/black	white/white	
1 m	891-8995/206-101	891-8995/206-102	1
2 m	891-8995/206-201	891-8995/206-202	1
3 m	891-8995/206-301	891-8995/206-302	1
4 m	891-8995/206-401	891-8995/206-402	1
5 m	891-8995/206-501	891-8995/206-502	1
6 m	891-8995/206-601	891-8995/206-602	1
7 m	891-8995/206-701	891-8995/206-702	1
8 m	891-8995/206-801	891-8995/206-802	1

Accessories; for all products on this page



Locking lever; for flying leads; manually operated		
Color	Item No.	PU (SPU)
● black	890-101	100 (50)
○ white	890-121	100 (50)



Locking lever; for flying leads; tool operated		
Color	Item No.	PU (SPU)
● black	890-111	100 (50)
○ white	890-131	100 (50)



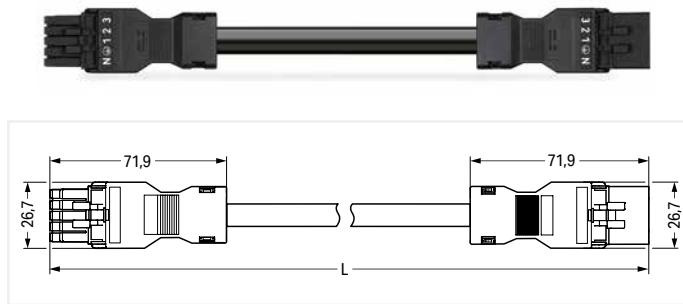
Mounting carrier; for flying leads; 2- to 5-pole		
Color	Item No.	PU
● black	890-310	100
○ white	890-311	100

PU = Packaging Unit; SPU = Subpackaging Unit; Dimensions in mm

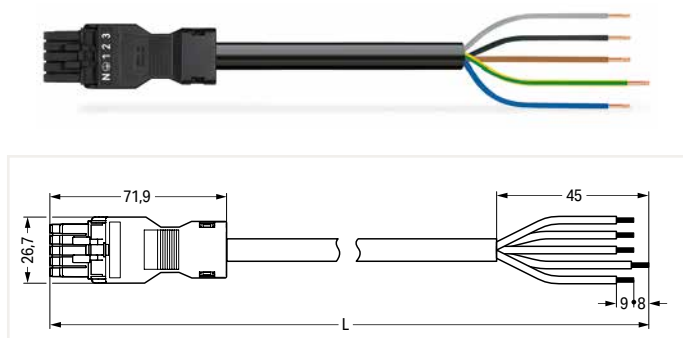
# Cable Assembly ▶ WINSTA® MINI ▶ 891 Series

Pole No.: 5 ▶ Fire class per EN 50575: E<sub>ca</sub> ▶ Coding: A ▶ 1.5 mm<sup>2</sup> ▶ Marking: N ⊕ 1 2 3 ▶ Halogen-free ▶ Sheathed cable diameter: 9.3 ... 11.6 mm ▶ H05Z1Z1-F 5G1.5 ▶ General mains applications

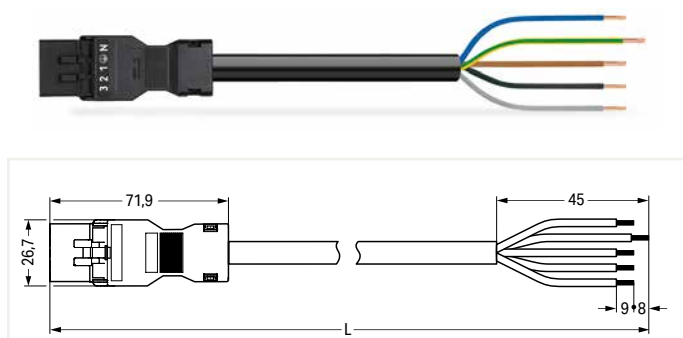
1



Interconnecting cable ▶ Socket - Plug ▶ Protection class: IP20; IP40 when mated			
Total length	Connector color/Strain relief color		PU
	black/black	white/white	
1 m	891-8995/016-101	891-8995/016-102	1
2 m	891-8995/016-201	891-8995/016-202	1
3 m	891-8995/016-301	891-8995/016-302	1
4 m	891-8995/016-401	891-8995/016-402	1
5 m	891-8995/016-501	891-8995/016-502	1
6 m	891-8995/016-601	891-8995/016-602	1
7 m	891-8995/016-701	891-8995/016-702	1
8 m	891-8995/016-801	891-8995/016-802	1



Connecting cable ▶ Socket - Free end ▶ Protection class: IP40			
Total length	Connector color/Strain relief color		PU
	black/black	white/white	
1 m	891-8995/116-101	891-8995/116-102	1
2 m	891-8995/116-201	891-8995/116-202	1
3 m	891-8995/116-301	891-8995/116-302	1
4 m	891-8995/116-401	891-8995/116-402	1
5 m	891-8995/116-501	891-8995/116-502	1
6 m	891-8995/116-601	891-8995/116-602	1
7 m	891-8995/116-701	891-8995/116-702	1
8 m	891-8995/116-801	891-8995/116-802	1



Connecting cable ▶ Plug - Free end ▶ Protection class: IP20; IP40 when mated			
Total length	Connector color/Strain relief color		PU
	black/black	white/white	
1 m	891-8995/216-101	891-8995/216-102	1
2 m	891-8995/216-201	891-8995/216-202	1
3 m	891-8995/216-301	891-8995/216-302	1
4 m	891-8995/216-401	891-8995/216-402	1
5 m	891-8995/216-501	891-8995/216-502	1
6 m	891-8995/216-601	891-8995/216-602	1
7 m	891-8995/216-701	891-8995/216-702	1
8 m	891-8995/216-801	891-8995/216-802	1

Accessories; for all products on this page



Locking lever; for flying leads; manually operated		
Color	Item No.	PU (SPU)
● black	890-101	100 (50)
○ white	890-121	100 (50)



Locking lever; for flying leads; tool operated		
Color	Item No.	PU (SPU)
● black	890-111	100 (50)
○ white	890-131	100 (50)

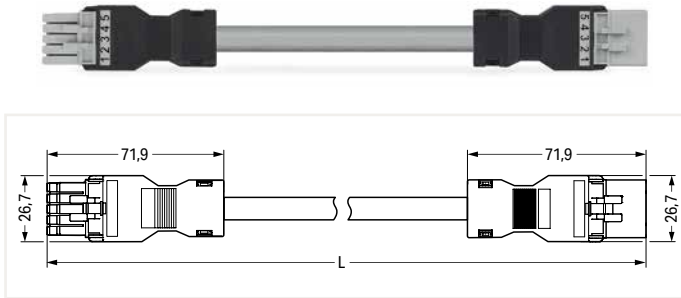


Mounting carrier; for flying leads; 2- to 5-pole		
Color	Item No.	PU
● black	890-310	100
○ white	890-311	100

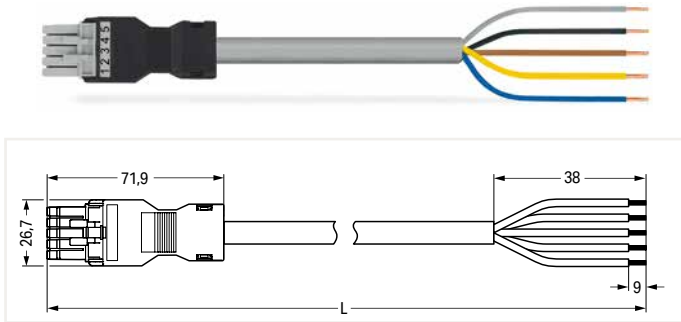
PU = Packaging Unit; SPU = Subpackaging Unit; Dimensions in mm

### Cable Assembly ▶ WINSTA® MINI ▶ 891 Series

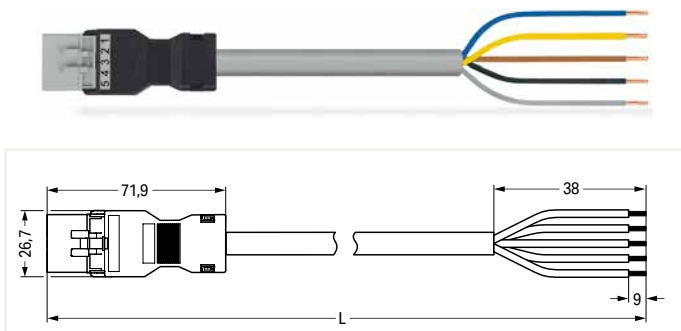
Pole No.: 5 ▶ Fire class per EN 50575: E<sub>ca</sub> ▶ Coding: B ▶ 1 mm<sup>2</sup> ▶ Marking: 1 2 3 4 5 ▶ PVC ▶ Sheathed cable diameter: 7.8 ... 9.3 mm ▶ Control line 5 x 1 ▶ Measurement and regulation technology



Interconnecting cable ▶ Socket - Plug ▶ Protection class: IP20; IP40 when mated				
Total length	Connector color/Strain relief color			PU
	gray/black	light green/black	pink/black	
1 m	891-8995/005-103	891-8995/005-105	891-8995/005-107	1
2 m	891-8995/005-203	891-8995/005-205	891-8995/005-207	1
3 m	891-8995/005-303	891-8995/005-305	891-8995/005-307	1
4 m	891-8995/005-403	891-8995/005-405	891-8995/005-407	1
5 m	891-8995/005-503	891-8995/005-505	891-8995/005-507	1
6 m	891-8995/005-603	891-8995/005-605	891-8995/005-607	1
7 m	891-8995/005-703	891-8995/005-705	891-8995/005-707	1
8 m	891-8995/005-803	891-8995/005-805	891-8995/005-807	1



Connecting cable ▶ Socket - Free end ▶ Protection class: IP40				
Total length	Connector color/Strain relief color			PU
	gray/black	light green/black	pink/black	
1 m	891-8995/105-103	891-8995/105-105	891-8995/105-107	1
2 m	891-8995/105-203	891-8995/105-205	891-8995/105-207	1
3 m	891-8995/105-303	891-8995/105-305	891-8995/105-307	1
4 m	891-8995/105-403	891-8995/105-405	891-8995/105-407	1
5 m	891-8995/105-503	891-8995/105-505	891-8995/105-507	1
6 m	891-8995/105-603	891-8995/105-605	891-8995/105-607	1
7 m	891-8995/105-703	891-8995/105-705	891-8995/105-707	1
8 m	891-8995/105-803	891-8995/105-805	891-8995/105-807	1



Connecting cable ▶ Plug - Free end ▶ Protection class: IP20; IP40 when mated				
Total length	Connector color/Strain relief color			PU
	gray/black	light green/black	pink/black	
1 m	891-8995/205-103	891-8995/205-105	891-8995/205-107	1
2 m	891-8995/205-203	891-8995/205-205	891-8995/205-207	1
3 m	891-8995/205-303	891-8995/205-305	891-8995/205-307	1
4 m	891-8995/205-403	891-8995/205-405	891-8995/205-407	1
5 m	891-8995/205-503	891-8995/205-505	891-8995/205-507	1
6 m	891-8995/205-603	891-8995/205-605	891-8995/205-607	1
7 m	891-8995/205-703	891-8995/205-705	891-8995/205-707	1
8 m	891-8995/205-803	891-8995/205-805	891-8995/205-807	1

Accessories; for all products on this page



Locking lever; for flying leads; manually operated			
Color	Item No.	PU (SPU)	
● black	890-101	100 (50)	
○ white	890-121	100 (50)	



Locking lever; for flying leads; tool operated			
Color	Item No.	PU (SPU)	
● black	890-111	100 (50)	
○ white	890-131	100 (50)	



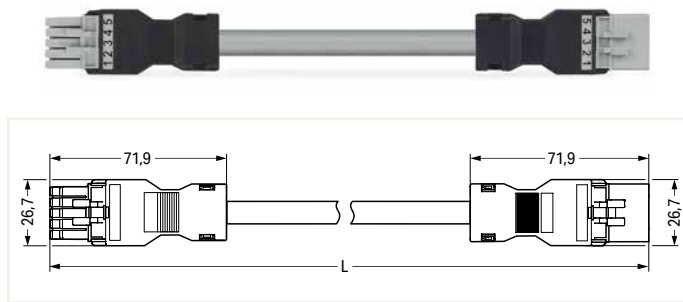
Mounting carrier; for flying leads; 2- to 5-pole			
Color	Item No.	PU	
● black	890-310	100	
○ white	890-311	100	

PU = Packaging Unit; SPU = Subpackaging Unit; Dimensions in mm

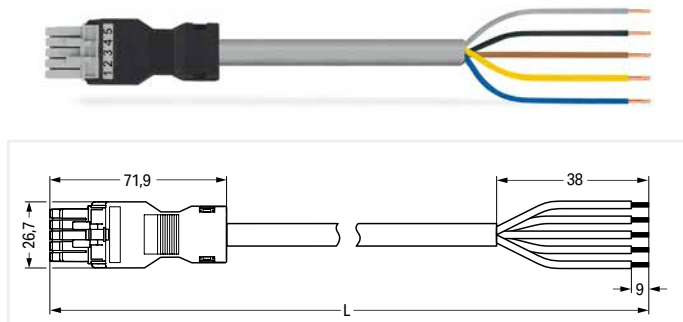
# Cable Assembly ▶ WINSTA® MINI ▶ 891 Series

Pole No.: 5 ▶ Fire class per EN 50575: E<sub>Ca</sub> ▶ Coding: B ▶ 1.5 mm<sup>2</sup> ▶ Marking: 1 2 3 4 5 ▶ PVC ▶ Sheathed cable diameter: 9.3 ... 11.6 mm ▶ Control line 5 x 1.5 ▶ Measurement and regulation technology

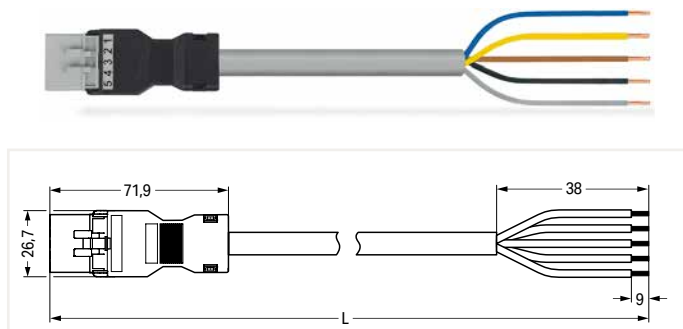
1



Interconnecting cable ▶ Socket - Plug ▶ Protection class: IP20; IP40 when mated				
Total length	Connector color/Strain relief color			PU
	gray/black	light green/black	pink/black	
1 m	891-8995/006-103	891-8995/006-105	891-8995/006-107	1
2 m	891-8995/006-203	891-8995/006-205	891-8995/006-207	1
3 m	891-8995/006-303	891-8995/006-305	891-8995/006-307	1
4 m	891-8995/006-403	891-8995/006-405	891-8995/006-407	1
5 m	891-8995/006-503	891-8995/006-505	891-8995/006-507	1
6 m	891-8995/006-603	891-8995/006-605	891-8995/006-607	1
7 m	891-8995/006-703	891-8995/006-705	891-8995/006-707	1
8 m	891-8995/006-803	891-8995/006-805	891-8995/006-807	1



Connecting cable ▶ - Free end ▶ Protection class: IP40				
Total length	Connector color/Strain relief color			PU
	gray/black	light green/black	pink/black	
1 m	891-8995/106-103	891-8995/106-105	891-8995/106-107	1
2 m	891-8995/106-203	891-8995/106-205	891-8995/106-207	1
3 m	891-8995/106-303	891-8995/106-305	891-8995/106-307	1
4 m	891-8995/106-403	891-8995/106-405	891-8995/106-407	1
5 m	891-8995/106-503	891-8995/106-505	891-8995/106-507	1
6 m	891-8995/106-603	891-8995/106-605	891-8995/106-607	1
7 m	891-8995/106-703	891-8995/106-705	891-8995/106-707	1
8 m	891-8995/106-803	891-8995/106-805	891-8995/106-807	1



Connecting cable ▶ Plug - Free end ▶ Protection class: IP20; IP40 when mated				
Total length	Connector color/Strain relief color			PU
	gray/black	light green/black	pink/black	
1 m	891-8995/206-103	891-8995/206-105	891-8995/206-107	1
2 m	891-8995/206-203	891-8995/206-205	891-8995/206-207	1
3 m	891-8995/206-303	891-8995/206-305	891-8995/206-307	1
4 m	891-8995/206-403	891-8995/206-405	891-8995/206-407	1
5 m	891-8995/206-503	891-8995/206-505	891-8995/206-507	1
6 m	891-8995/206-603	891-8995/206-605	891-8995/206-607	1
7 m	891-8995/206-703	891-8995/206-705	891-8995/206-707	1
8 m	891-8995/206-803	891-8995/206-805	891-8995/206-807	1

Accessories; for all products on this page



Locking lever; for flying leads; manually operated			
Color	Item No.	PU (SPU)	
● black	890-101	100 (50)	
○ white	890-121	100 (50)	

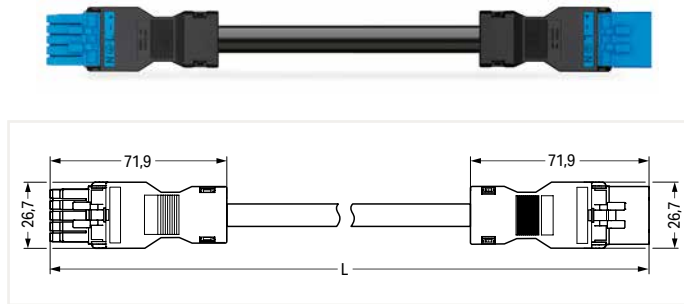
Locking lever; for flying leads; tool operated			
Color	Item No.	PU (SPU)	
● black	890-111	100 (50)	
○ white	890-131	100 (50)	

Mounting carrier; for flying leads; 2- to 5-pole			
Color	Item No.	PU	
● black	890-310	100	
○ white	890-311	100	

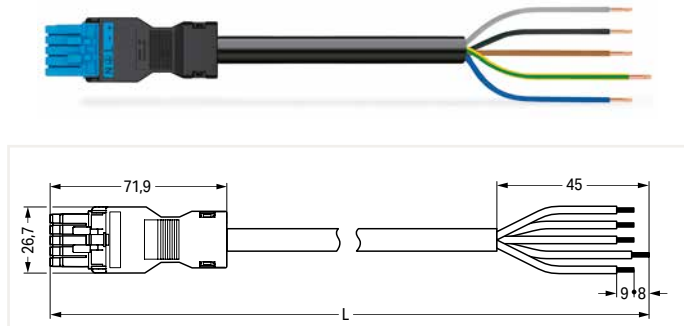
PU = Packaging Unit; SPU = Subpackaging Unit; Dimensions in mm

### Cable Assembly ▶ WINSTA® MINI ▶ 891 Series

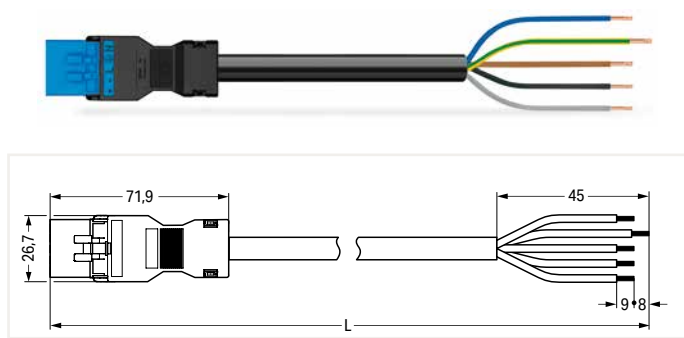
Pole No.: 5 ▶ Fire class per EN 50575: E<sub>ca</sub> ▶ Coding: I ▶ 1.5 mm<sup>2</sup> ▶ Marking: N ⊕ L - + ▶ PVC ▶ Sheathed cable diameter: 9.3 ... 11.6 mm ▶ H05VV-F 5G1.5 ▶ DALI, Lighting Management



Interconnecting cable ▶ Socket - Plug ▶ Protection class: IP20; IP40 when mated			
Total length	Connector color/Strain relief color		PU
	blue/black	blue/white	
1 m	891-8985/006-101	891-8985/006-102	1
2 m	891-8985/006-201	891-8985/006-202	1
3 m	891-8985/006-301	891-8985/006-302	1
4 m	891-8985/006-401	891-8985/006-402	1
5 m	891-8985/006-501	891-8985/006-502	1
6 m	891-8985/006-601	891-8985/006-602	1
7 m	891-8985/006-701	891-8985/006-702	1
8 m	891-8985/006-801	891-8985/006-802	1



Connecting cable ▶ Socket - Free end ▶ Protection class: IP40			
Total length	Connector color/Strain relief color		PU
	blue/black	blue/white	
1 m	891-8985/106-101	891-8985/106-102	1
2 m	891-8985/106-201	891-8985/106-202	1
3 m	891-8985/106-301	891-8985/106-302	1
4 m	891-8985/106-401	891-8985/106-402	1
5 m	891-8985/106-501	891-8985/106-502	1
6 m	891-8985/106-601	891-8985/106-602	1
7 m	891-8985/106-701	891-8985/106-702	1
8 m	891-8985/106-801	891-8985/106-802	1



Connecting cable ▶ Plug - Free end ▶ Protection class: IP20; IP40 when mated			
Total length	Connector color/Strain relief color		PU
	blue/black	blue/white	
1 m	891-8985/206-101	891-8985/206-102	1
2 m	891-8985/206-201	891-8985/206-202	1
3 m	891-8985/206-301	891-8985/206-302	1
4 m	891-8985/206-401	891-8985/206-402	1
5 m	891-8985/206-501	891-8985/206-502	1
6 m	891-8985/206-601	891-8985/206-602	1
7 m	891-8985/206-701	891-8985/206-702	1
8 m	891-8985/206-801	891-8985/206-802	1

Accessories; for all products on this page



Locking lever; for flying leads; manually operated		
Color	Item No.	PU (SPU)
● black	890-101	100 (50)
○ white	890-121	100 (50)



Locking lever; for flying leads; tool operated		
Color	Item No.	PU (SPU)
● black	890-111	100 (50)
○ white	890-131	100 (50)



Mounting carrier; for flying leads; 2- to 5-pole		
Color	Item No.	PU
● black	890-310	100
○ white	890-311	100

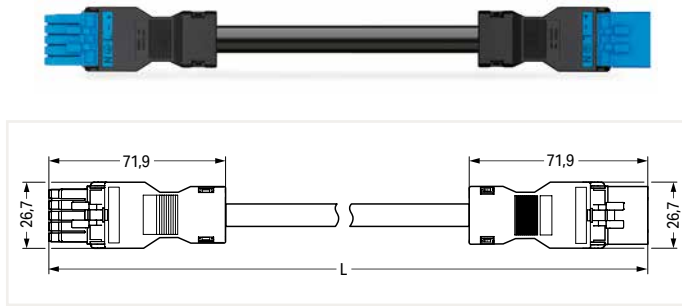
PU = Packaging Unit; SPU = Subpackaging Unit; Dimensions in mm



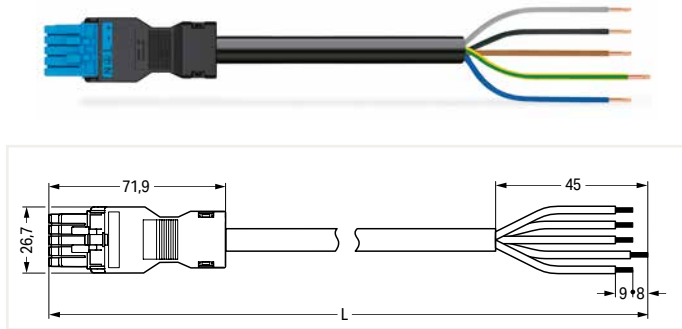
## Cable Assembly ▶ WINSTA® MINI ▶ 891 Series

Pole No.: 5 ▶ Fire class per EN 50575: E<sub>ca</sub> ▶ Coding: I ▶ 1.5 mm<sup>2</sup> ▶ Marking: N ⊕ L - + ▶ Halogen-free  
 ▶ Sheathed cable diameter: 9.3 ... 11.6 mm ▶ H05Z1Z1-F 5G1.5 ▶ DALI, Lighting Management

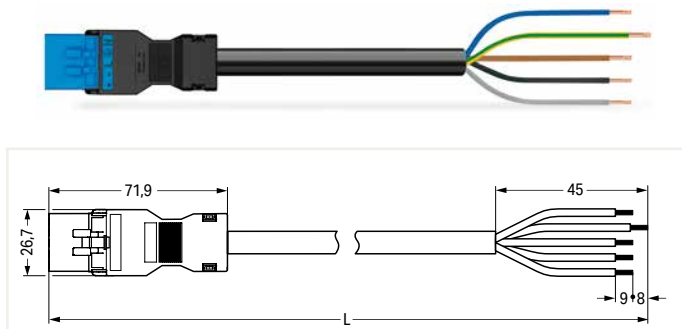
1



Interconnecting cable ▶ Socket - Plug ▶ Protection class: IP20; IP40 when mated			
Total length	Connector color/Strain relief color		PU
	blue/black	blue/white	
1 m	891-8985/016-101	891-8985/016-102	1
2 m	891-8985/016-201	891-8985/016-202	1
3 m	891-8985/016-301	891-8985/016-302	1
4 m	891-8985/016-401	891-8985/016-402	1
5 m	891-8985/016-501	891-8985/016-502	1
6 m	891-8985/016-601	891-8985/016-602	1
7 m	891-8985/016-701	891-8985/016-702	1
8 m	891-8985/016-801	891-8985/016-802	1



Connecting cable ▶ Socket - Free end ▶ Protection class: IP40			
Total length	Connector color/Strain relief color		PU
	blue/black	blue/white	
1 m	891-8985/116-101	891-8985/116-102	1
2 m	891-8985/116-201	891-8985/116-202	1
3 m	891-8985/116-301	891-8985/116-302	1
4 m	891-8985/116-401	891-8985/116-402	1
5 m	891-8985/116-501	891-8985/116-502	1
6 m	891-8985/116-601	891-8985/116-602	1
7 m	891-8985/116-701	891-8985/116-702	1
8 m	891-8985/116-801	891-8985/116-802	1



Connecting cable ▶ Plug - Free end ▶ Protection class: IP20; IP40 when mated			
Total length	Connector color/Strain relief color		PU
	blue/black	blue/white	
1 m	891-8985/216-101	891-8985/216-102	1
2 m	891-8985/216-201	891-8985/216-202	1
3 m	891-8985/216-301	891-8985/216-302	1
4 m	891-8985/216-401	891-8985/216-402	1
5 m	891-8985/216-501	891-8985/216-502	1
6 m	891-8985/216-601	891-8985/216-602	1
7 m	891-8985/216-701	891-8985/216-702	1
8 m	891-8985/216-801	891-8985/216-802	1

Accessories; for all products on this page



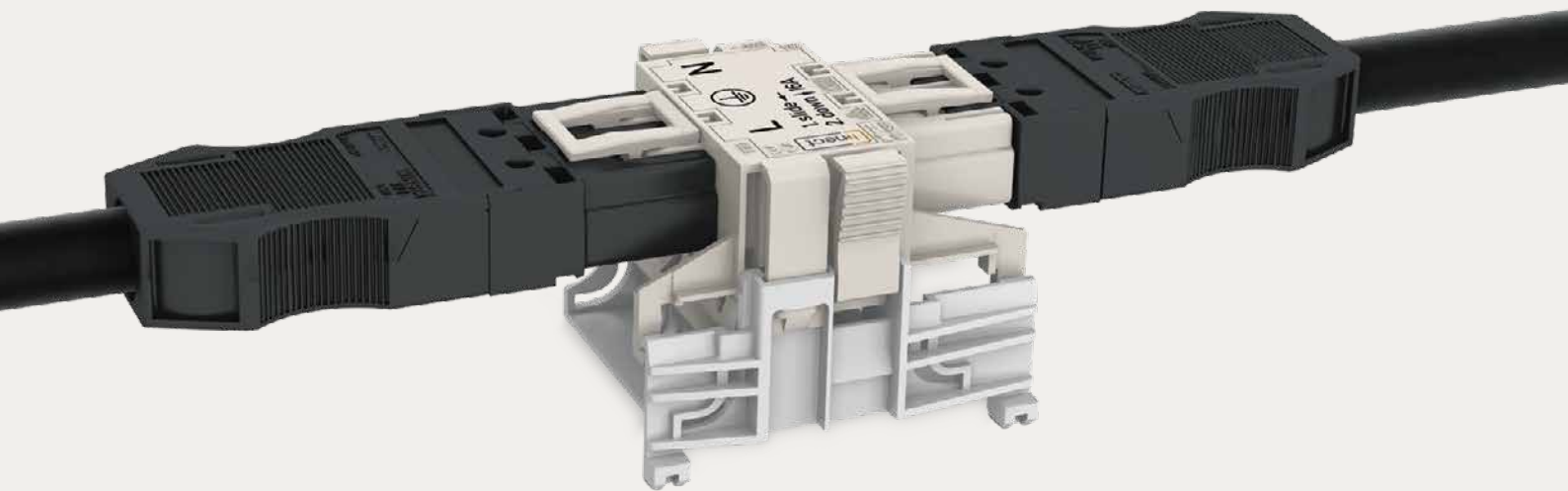
Locking lever; for flying leads; manually operated		
Color	Item No.	PU (SPU)
● black	890-101	100 (50)
○ white	890-121	100 (50)

Locking lever; for flying leads; tool operated		
Color	Item No.	PU (SPU)
● black	890-111	100 (50)
○ white	890-131	100 (50)

Mounting carrier; for flying leads; 2- to 5-pole		
Color	Item No.	PU
● black	890-310	100
○ white	890-311	100

PU = Packaging Unit; SPU = Subpackaging Unit; Dimensions in mm












# WAGO Pluggable Connection System *WINSTA*® MIDI

# WAGO Pluggable Connection System WINSTA® MIDI ▶ 770, 771 Series

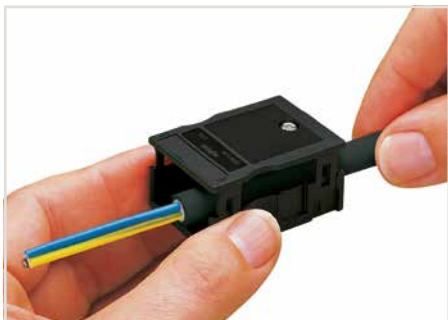
## 4 mm<sup>2</sup> / 25 A

- Note:**
- Installation connectors are designed for connection and disconnection while not under load.
  - There is no hazard-inducing interchangeability with systems based on IEC 60309, IEC 60320, IEC 60906 and with national connector and socket systems.
  - Compliance with the standards (IEC 61535) does not guarantee hazard-preventing, non-interchangeability with installation connector systems from various manufacturers.
  - Installation connector systems are not a substitute for residential connector/socket systems.
  - B-Coded components from the WINSTA® MIDI series are designed for specialty applications (e.g., measurement, control and regulation technology) and certified per DIN EN 61984.

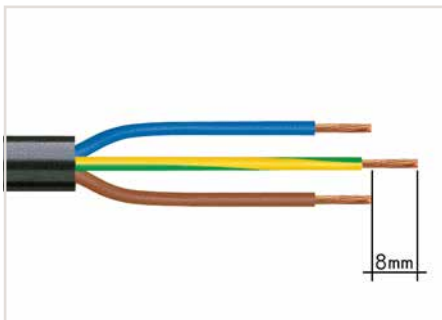
		Page
	<b>Linect® T-Connectors; 770 Series</b>	
	2-pole	131
	3-pole	169
	4-pole	213
	5-pole	245
	<b>Pluggable Connectors; 770 Series</b>	
	2-pole	126
	3-pole	150
	4-pole	198
	5-pole	226
	<b>Snap-In Device Connectors; 770 Series</b>	
	3-pole	156
	4-pole	202
	<b>Pluggable PCB Connectors; 770 Series</b>	
	3-pole	162
	4-pole	206
	<b>Distribution Connectors; 770 Series</b>	
	2-pole	130
	3-pole	168
	<b>Cable Assemblies; 771 Series</b>	
	2-pole	136
	3-pole	176
	4-pole	218
	<b>Cable Assemblies; IP 2XD; 771 Series</b>	
	3-pole	181

## WINSTA® MIDI ▶ 770, 771 Series Installation

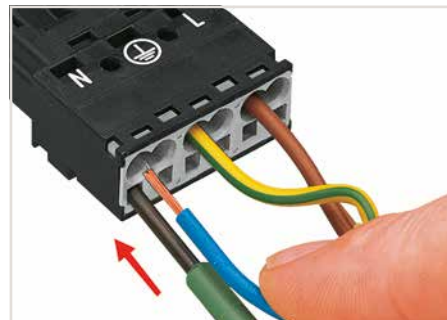
2



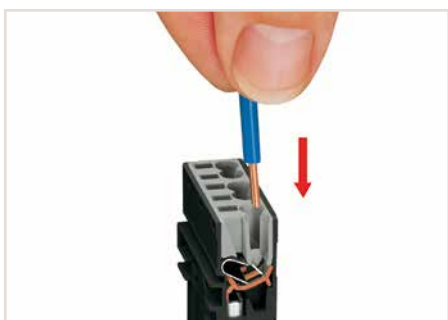
We recommend pulling the pre-latched strain relief housing over the cable prior to termination. However, the strain relief can be mounted at a later time as well.



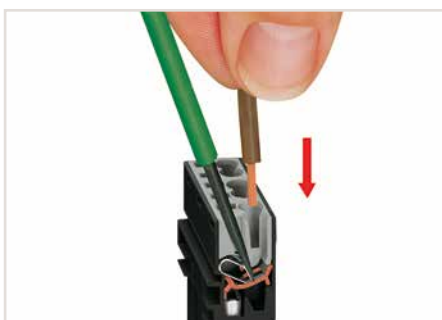
1. Strip length, outer insulation = x mm ❶
2. Strip length = 9 mm
3. Extended ground conductor = 8 mm



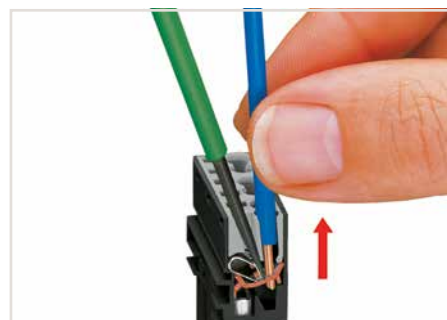
To terminate fine-stranded conductors, open the clamping unit via screwdriver (2.5 mm blade width) and insert a stripped conductor until it hits backstop.



Insert the stripped solid conductor until it hits backstop.



To terminate fine-stranded conductors, open the clamping unit via screwdriver (2.5 mm blade width) and insert a stripped conductor until it hits backstop.



To remove the conductor, actuate the clamp via screwdriver (2.5 mm blade width) and pull out the conductor.



Latch the strain relief housing on the plug/socket. Note the "TOP" inscription.



Prepare strain relief housing by snapping together upper and bottom part.



Tighten strain relief screw via screwdriver (2.5 mm blade width).



Simply cut off the coding pin from the socket.



Insert coding pin into plug (break first) until it engages.



Marking strain relief housing via WSB Quick Marking System.

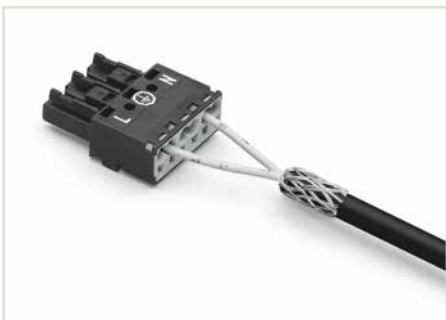
❶ Strip length, outer insulation: 2-pole = 35 mm, 3- to 5-pole = 55 mm



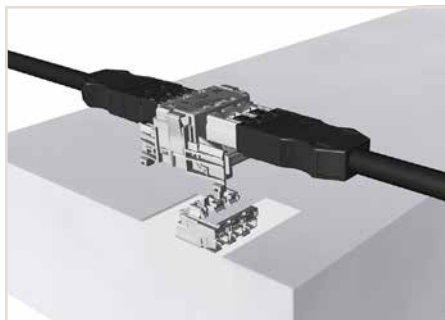
the light connection system



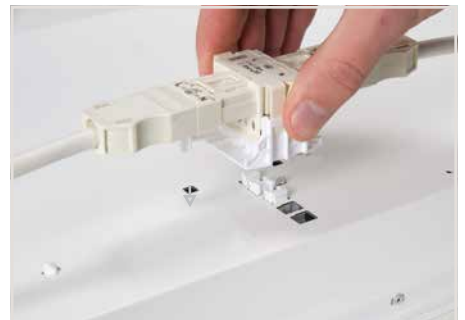
Connector with shield termination



Apply the shield to the rubber cable.  
Strip length, outer insulation = 55 mm  
Shield length = 10 mm



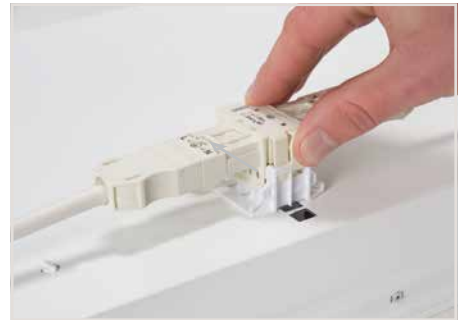
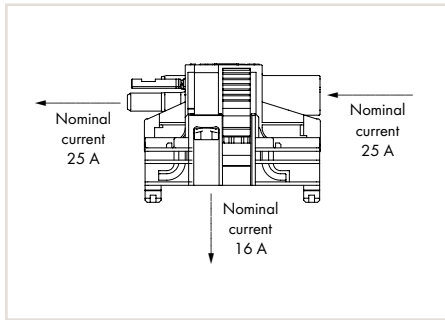
Connecting a T-connector to a 294 Series lighting connector.



Align the T-connector with the square cutouts.



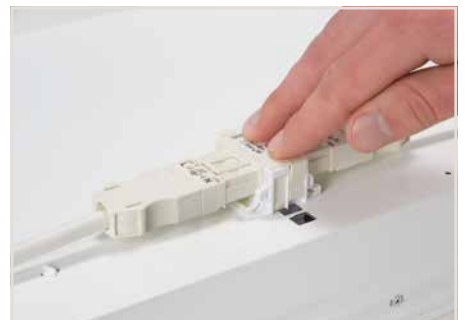
Push the shield connecting plate into the connector until fully inserted.



Move the T-connector toward the square cutouts until it is locked in position.



First insert the wired connector into strain relief housing, then snap cover and tighten screw.



Push down until fully engaged – done!



## WINSTA® MIDI ▶ Coding: B ▶ 770, 771 Series Description and Installation

2



Gray, B-coded connector with "3 2 1" marking, e.g., control signal (A circuit)



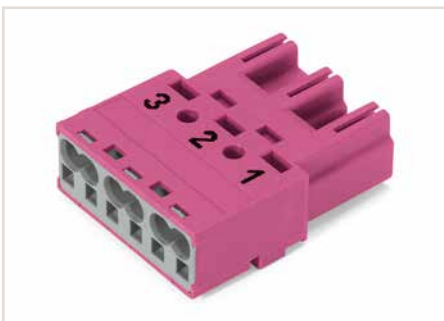
Easy circuit identification via different marking and colors



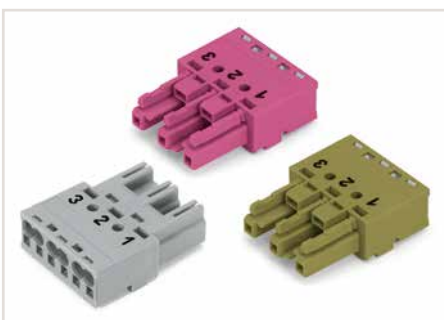
B-coded connectors (shown in gray) not only differ in color, but also in their design, making them incompatible with other coded connectors.



Light green, B-coded connector with "3 2 1" marking, e.g., DC power supply (24 V circuit)



Pink, B-coded connector with "3 2 1" marking, e.g., control signal (B circuit)



B-coded connectors with different colors can be plugged together.

**Important note:**

Different colors and/or pole markings are used for circuit identification.

Only connectors of the same color and same pole marking must be plugged together.



Installation notes for conductor connection, shield termination, operating tools and mounting aids for WINSTA® MIDI special pluggable connectors, see page 122.





**Pluggable Connector ▶ WINSTA® MIDI ▶ 770 Series**

Pole No.: 2 ▶ Number of connection points: 2 ▶ Protection type: IP20



- Protected against mismatching and maintenance-free
- Push-in CAGE CLAMP® spring pressure connection technology allows solid conductors to be simply pushed into a unit
- Two-wire connection per pole for loops or bridges

Electrical Data			
Coding	A;B;L		
Ratings per	IEC/EN 60664-1		
Overvoltage category	III	III	II
Pollution degree	3	2	2
Rated voltage	250 V	-	-
Rated impulse voltage	4 kV	-	-
Rated current	25 A	-	-
Approbations per	UL 1977		
Rated voltage	600 V		
Rated current	23 A		

Connection Data	
Connection technology	Push-in CAGE CLAMP®
Strip length	9 mm / 0.35 inch
Nominal cross-section	4 mm²
Solid conductor	0.5 ... 4 mm² / 20 ... 12 AWG
Solid conductor; push-in termination	1.5 ... 4 mm² / 16 ... 12 AWG
Stranded conductor	0.5 ... 2.5 mm² / 20 ... 14 AWG
Fine-stranded conductor	0.5 ... 4 mm² / 20 ... 12 AWG
Fine-stranded conductor; with insulated ferrule	0.25 ... 1.5 mm² / 20 ... 16 AWG
Fine-stranded conductor; with uninsulated ferrule	0.25 ... 2.5 mm² / 20 ... 14 AWG
Fine-stranded conductor; with ferrule; push-in termination	1.5 mm² / 16 AWG

Material Data	
Insulation material	Polyamide (PA66)
Clamping spring material	Chrome nickel spring steel (CrNi)
Contact material	Copper or copper alloy (surface-treated)

Mechanical Data	
Number of mating cycles	200, without resistive load
Mating force of a plug-in connection	approx. 20 ... 70 N (depending on pole number)
Unmating force of a plug-in connection	Unlocked: approx. 20 ... 70 N (depending on pole number)
Retention force of a plug-in connection	Locked: > 80 N
Protection type	IP20
Note on protection type	When mated and secured with a strain relief housing: IP2xC (These compact connectors are not designed for use in open, easily accessible areas!)

Environmental Requirements	
Processing temperature	-5 ... +40 °C
Continuous operating temperature	-35 ... +85 °C
Note on continuous operating temperature	Insulating parts for temperatures ≤ 105 °C

All WINSTA® components are 100% protected against mismatching when:

- plugging different numbers of poles
- plugging while rotated 180
- plugging while laterally staggered
- plugging one pole

General accessories Page 390

Tool Page 400

See technical section for further information

For approvals and corresponding ratings, visit [www.wago.com](http://www.wago.com)

# Pluggable Connector ▶ WINSTA® MIDI ▶ 770 Series

Pole No.: 2 ▶ Number of connection points: 2 ▶ Protection type: IP20

Strain relief housing ▶ Female connector/socket ▶ Strip length (outer insulation): 35 mm ▶ Connectable sheathed cable diameter : 7 ... 10.5 mm

Strain relief housing ▶ Male connector/plug ▶ Strip length (outer insulation): 35 mm ▶ Connectable sheathed cable diameter : 7 ... 10.5 mm



770-102/041-000



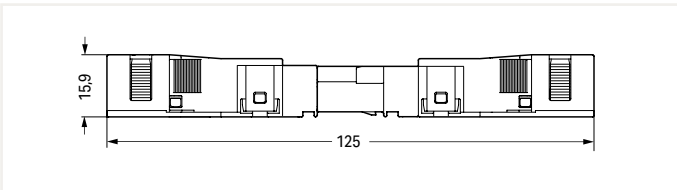
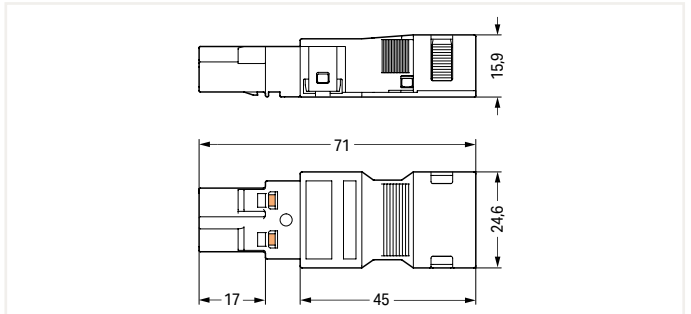
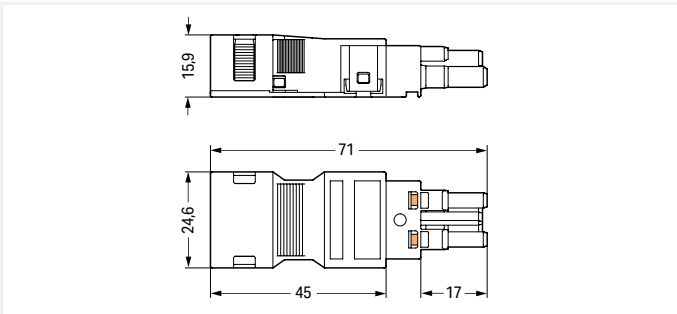
770-112/041-000

**General mains applications**

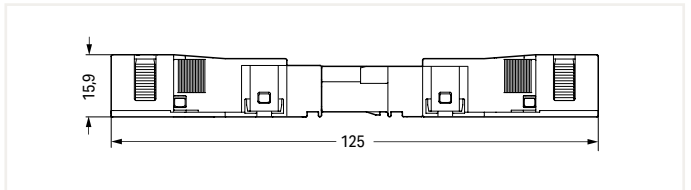
Color	Coding	Marking	Item No.	PU
● black	A	L N	770-102/041-000	25
○ white	A	L N	770-122/041-000	25

**General mains applications**

Color	Coding	Marking	Item No.	PU
● black	A	L N	770-112/041-000	25
○ white	A	L N	770-132/041-000	25



Overall length when mated



Overall length when mated

**Item-Specific Accessories**



Lockout cap; for socket; separable; Pole No.: 12

Color	Item No.	PU
● black	770-201	100
○ white	770-221	100



Lockout cap; for plugs; separable; Pole No.: 5

Color	Item No.	PU
● yellow	770-360	100

**Accessories; for all products on this page**



Locking lever; for flying leads; manually operated

Color	Item No.	PU (SPU)
● black	770-101	100 (25)
○ white	770-121	100 (25)



Locking lever; for flying leads; tool operated

Color	Item No.	PU (SPU)
● black	770-111	100 (25)
○ white	770-131	100 (25)



Operating tool; for WAGO WINSTA® MIDI Connectors; Pole No.: 2

Color	Item No.	PU (SPU)
● green	770-382	50 (1)

PU = Packaging Unit; SPU = Subpackaging Unit; Dimensions in mm

# Pluggable Connector ▶ WINSTA® MIDI ▶ 770 Series

Pole No.: 2 ▶ Number of connection points: 2 ▶ Protection type: IP20

Female connector/socket



770-202

**General mains applications**

Color	Coding	Marking	Item No.	PU
● black	A	L N	770-202	100
○ white	A	L N	770-222	100

**Emergency power supply**

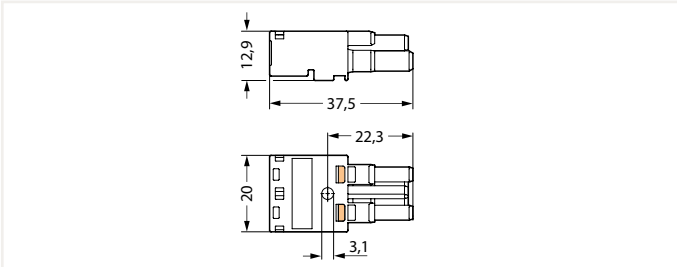
Color	Coding	Marking	Item No.	PU
● dark gray	L	L' N'	770-1162	100

**Measurement and regulation technology**

Color	Coding	Marking	Item No.	PU
● gray	B	1 2	770-242	100
● gray	B	L N	770-242/060-000	100
● light green	B	1 2	770-262	100
● pink	B	1 2	770-282	100
● pink	B	I+ I-	770-282/080-000	100
● pink	B	+ -	770-282/082-000	100

**DALI, Lighting Management**

Color	Coding	Marking	Item No.	PU
● blue	I	DA+ DA-	770-1102	100



**Accessories; for all products on this page**



Locking lever; for flying leads; manually operated

Color	Item No.	PU (SPU)
● black	770-101	100 (25)
○ white	770-121	100 (25)



Locking lever; for flying leads; tool operated

Color	Item No.	PU (SPU)
● black	770-111	100 (25)
○ white	770-131	100 (25)



Lockout cap; for socket; separable; Pole No.: 12

Color	Item No.	PU
● black	770-201	100
○ white	770-221	100



Operating tool; for WAGO WINSTA® MIDI Connectors; Pole No.: 2

Color	Item No.	PU (SPU)
● green	770-382	50 (1)



Strain relief housing; Connectable sheathed cable diameter: 7 ... 10.5 mm; Strip length (outer insulation): 35 mm

Color	Item No.	PU
● black	770-502/041-000	50
○ white	770-512/041-000	50



Strain relief housing; Connectable sheathed cable diameter: 5 ... 9 mm; Strip length (outer insulation): 35 mm

Color	Item No.	PU
● black	770-502/042-000	50
○ white	770-512/042-000	50

PU = Packaging Unit; SPU = Subpackaging Unit; Dimensions in mm

# Pluggable Connector ▶ WINSTA® MIDI ▶ 770 Series

Pole No.: 2 ▶ Number of connection points: 2 ▶ Protection type: IP20

Male connector/plug



770-212

2

**General mains applications**

Color	Coding	Marking	Item No.	PU
● black	A	L N	770-212	100
○ white	A	L N	770-232	100

**Emergency power supply**

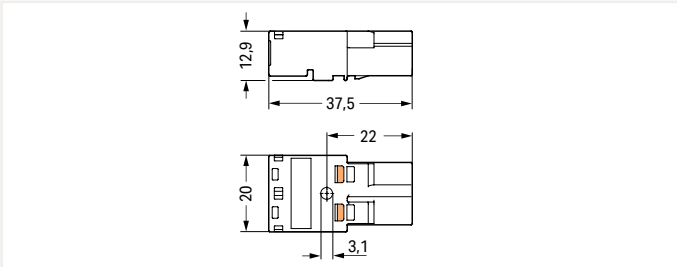
Color	Coding	Marking	Item No.	PU
● dark gray	L	L' N'	770-1172	100

**Measurement and regulation technology**

Color	Coding	Marking	Item No.	PU
● gray	B	1 2	770-252	100
● gray	B	L N	770-252/060-000	100
● light green	B	1 2	770-272	100
● pink	B	1 2	770-292	100
● pink	B	I+ I-	770-292/080-000	100
● pink	B	+ -	770-292/082-000	100

**DALI, Lighting Management**

Color	Coding	Marking	Item No.	PU
● blue	I	DA+ DA-	770-1112	100



**Accessories; for all products on this page**



Locking lever; for flying leads; manually operated

Color	Item No.	PU (SPU)
● black	770-101	100 (25)
○ white	770-121	100 (25)



Locking lever; for flying leads; tool operated

Color	Item No.	PU (SPU)
● black	770-111	100 (25)
○ white	770-131	100 (25)



Lockout cap; for plugs; separable; Pole No.: 5

Color	Item No.	PU
● yellow	770-360	100



Operating tool; for WAGO WINSTA® MIDI Connectors; Pole No.: 2

Color	Item No.	PU (SPU)
● green	770-382	50 (1)



Strain relief housing; Connectable sheathed cable diameter: 7 ... 10.5 mm; Strip length (outer insulation): 35 mm

Color	Item No.	PU
● black	770-502/041-000	50
○ white	770-512/041-000	50



Strain relief housing; Connectable sheathed cable diameter: 5 ... 9 mm; Strip length (outer insulation): 35 mm

Color	Item No.	PU
● black	770-502/042-000	50
○ white	770-512/042-000	50

PU = Packaging Unit; SPU = Subpackaging Unit; Dimensions in mm

## Distribution Connector ▶ WINSTA® MIDI ▶ 770 Series

Pole No.: 2



- Protected against mismatching and maintenance-free

Electrical Data			
Coding	A;B;L		
Ratings per	IEC/EN 60664-1		
Overvoltage category	III	III	II
Pollution degree	3	2	2
Rated voltage	250 V	-	-
Rated impulse voltage	4 kV	-	-
Rated current	25 A	-	-
Approbations per	UL 1977		
Rated voltage	600 V		
Rated current	23 A		

Material Data	
Insulation material	Polyamide (PA66)
Contact material	Copper or copper alloy (surface-treated)

Mechanical Data	
Number of mating cycles	200, without resistive load
Mating force of a plug-in connection	Approx. 20 ... 70 N (depending on pole number)
Unmating force of a plug-in connection	Unlocked: approx. 20 ... 70 N (depending on pole number)
Retention force of a plug-in connection	When locked: > 80 N
Protection type	IP20
Note on protection type	When mated: IP2xC (These compact connectors are not designed for use in open, easily accessible areas!)

Environmental Requirements	
Processing temperature	-5 ... +40 °C
Continuous operating temperature	-35 ... +85 °C
Note on continuous operating temperature	Insulating parts for temperatures ≤ 105 °C

All WINSTA® components are 100% protected against mismatching when:

- plugging different numbers of poles
- plugging while rotated 180
- plugging while laterally staggered
- plugging one pole

See technical section for further information

For approvals and corresponding ratings, visit [www.wago.com](http://www.wago.com)

# Distribution Connector ▶ WINSTA® MIDI ▶ 770 Series

## Pole No.: 2

Linect® T-connector



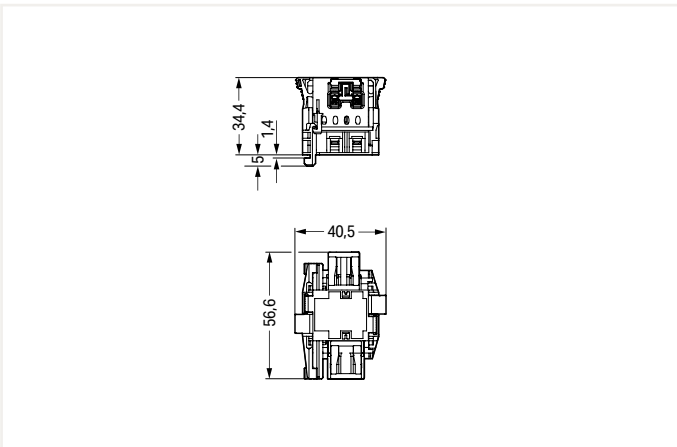
770-7102

### DALI, Lighting Management

Cover Color	Coding	Marking	Item No.	PU
● blue	I	DA+ DA-	770-7102	25

### Emergency power supply

Cover Color	Coding	Marking	Item No.	PU
● dark gray	L	L' N'	770-7502	25



2

### Accessories; for all products on this page



Lockout cap; for socket; separable; Pole No.: 12			
Color	Item No.	PU	
● black	770-201	100	
○ white	770-221	100	

Lockout cap; for plugs; separable; Pole No.: 5			
Color	Item No.	PU	
● yellow	770-360	100	

PU = Packaging Unit; SPU = Subpackaging Unit; Dimensions in mm

# Distribution Connector ▶ WINSTA® MIDI ▶ 770 Series

## Pole No.: 2

T-distribution connector ▶ Number of locking levers: 2

T-distribution connector ▶ for flying leads ▶ Number of locking levers: 3



770-1606

770-1606

### General mains applications

Color	Coding	Marking	Item No.	PU
● black	A	L N	770-1606	50
○ white	A	L N	770-1656	50

### General mains applications

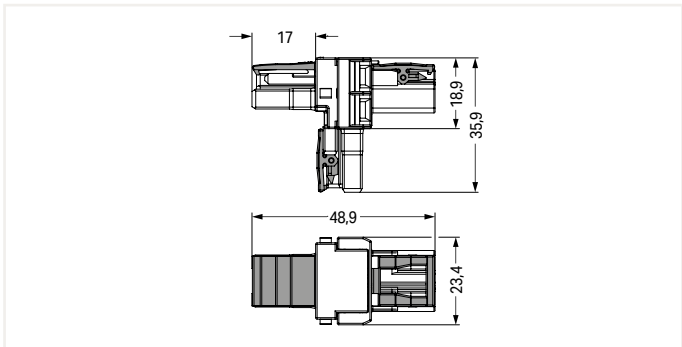
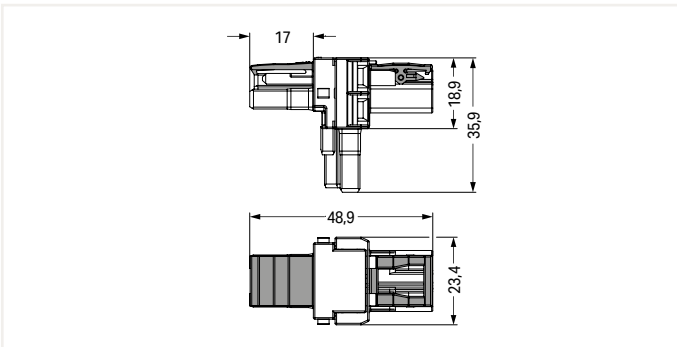
Color	Coding	Marking	Item No.	PU
● black	A	L N	770-1615	50
○ white	A	L N	770-1665	50

### Measurement and regulation technology

Color	Coding	Marking	Item No.	PU
● gray	B	1 2	770-1601	50
● light green	B	1 2	770-1602	50
● pink	B	1 2	770-1603	50

### Measurement and regulation technology

Color	Coding	Marking	Item No.	PU
● gray	B	1 2	770-1701	50
● light green	B	1 2	770-1702	50
● pink	B	1 2	770-1703	50



### Accessories; for all products on this page



Lockout cap; for socket; separable; Pole No.: 12			
Color	Item No.	PU	
● black	770-201	100	
○ white	770-221	100	

Lockout cap; for plugs; separable; Pole No.: 5			
Color	Item No.	PU	
● yellow	770-360	100	

PU = Packaging Unit; SPU = Subpackaging Unit; Dimensions in mm

# Distribution Connector ▶ WINSTA® MIDI ▶ 770 Series

## Pole No.: 2

h-distribution connector (bi-directional) ▶ Number of locking levers: 2

h-distribution connector (bi-directional) ▶ for flying leads ▶ Number of locking levers: 3



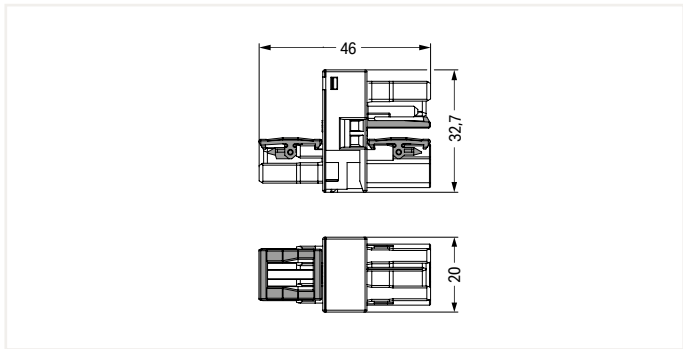
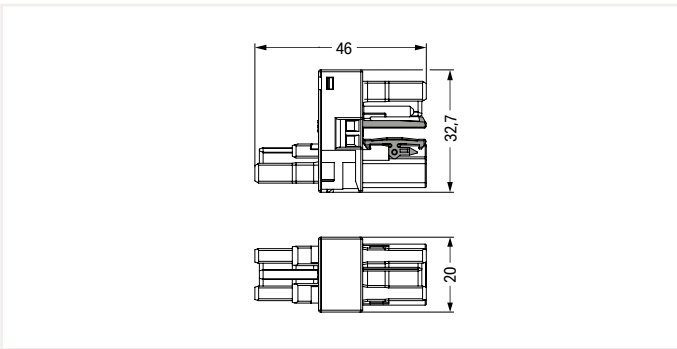
770-1608



770-1658

Measurement and regulation technology				
Color	Coding	Marking	Item No.	PU
● gray	B	1 2	770-1608	50
● light green	B	1 2	770-1609	50
● pink	B	1 2	770-1610	50

Measurement and regulation technology				
Color	Coding	Marking	Item No.	PU
● gray	B	1 2	770-1658	50
● light green	B	1 2	770-1659	50
● pink	B	1 2	770-1660	50



Accessories; for all products on this page



Mounting plate; for distribution connectors (except T-distribution connectors); 2-pole		
Color	Item No.	PU
● black	770-1626	25
○ white	770-1627	25



Lockout cap; for socket; separable; Pole No.: 12		
Color	Item No.	PU
● black	770-201	100
○ white	770-221	100



Lockout cap; for plugs; separable; Pole No.: 5		
Color	Item No.	PU
● yellow	770-360	100

PU = Packaging Unit; SPU = Subpackaging Unit; Dimensions in mm



# Distribution Connector ▶ WINSTA® MIDI ▶ 770 Series

## Pole No.: 2

h-distribution connector (unidirectional) ▶ Number of locking levers: 2

h-distribution connector (unidirectional) ▶ for flying leads ▶ Number of locking levers: 3



770-1634



770-1636

**General mains applications**

Color	Coding	Marking	Item No.	PU
● black	A	L N	770-1634	50
○ white	A	L N	770-1684	50

**General mains applications**

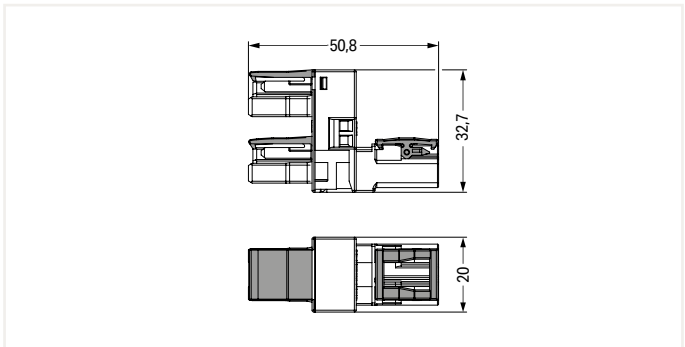
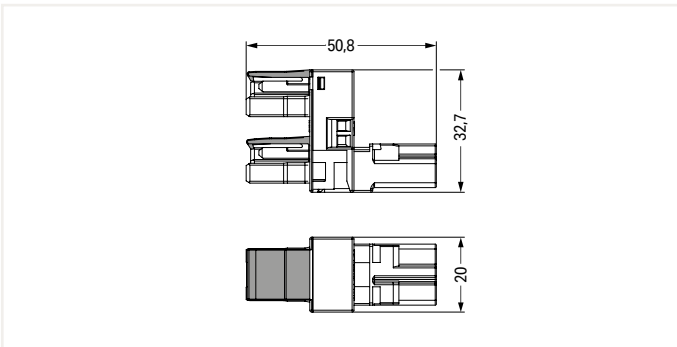
Color	Coding	Marking	Item No.	PU
● black	A	L N	770-1636	50
○ white	A	L N	770-1686	50

**Measurement and regulation technology**

Color	Coding	Marking	Item No.	PU
● gray	B	1 2	770-1651	50
● light green	B	1 2	770-1652	50
● pink	B	1 2	770-1653	50

**Measurement and regulation technology**

Color	Coding	Marking	Item No.	PU
● gray	B	1 2	770-1751	50
● light green	B	1 2	770-1752	50
● pink	B	1 2	770-1753	50



**Accessories; for all products on this page**



Mounting plate; for distribution connectors (except T-distribution connectors); 2-pole

Color	Item No.	PU
● black	770-1626	25
○ white	770-1627	25



Lockout cap; for socket; separable; Pole No.: 12

Color	Item No.	PU
● black	770-201	100
○ white	770-221	100



Lockout cap; for plugs; separable; Pole No.: 5

Color	Item No.	PU
● yellow	770-360	100

PU = Packaging Unit; SPU = Subpackaging Unit; Dimensions in mm

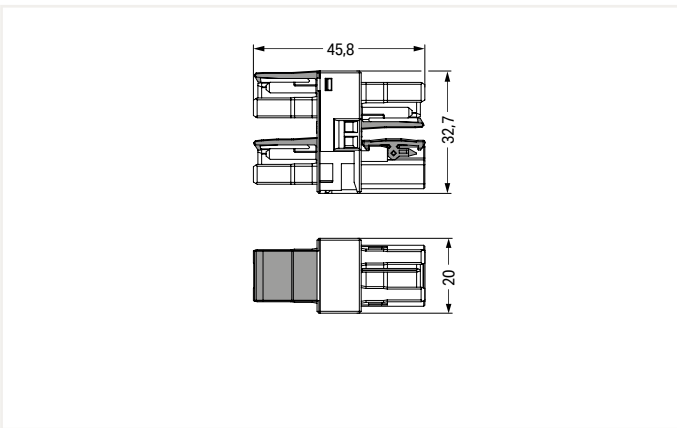
Distribution connector, 3-way,



770-1704

Measurement and regulation technology

Color	Coding	Marking	Item No.	PU
● gray	B	1 2	770-1704	50
● light green	B	1 2	770-1705	50
● pink	B	1 2	770-1706	50



2

Accessories; for all products on this page



Mounting plate; for distribution connectors (except T-distribution connectors); 2-pole		
Color	Item No.	PU
● black	770-1626	25
○ white	770-1627	25



Lockout cap; for socket; separable; Pole No.: 12		
Color	Item No.	PU
● black	770-201	100
○ white	770-221	100



Lockout cap; for plugs; separable; Pole No.: 5		
Color	Item No.	PU
● yellow	770-360	100

PU = Packaging Unit; SPU = Subpackaging Unit; Dimensions in mm

**Cable Assembly ▶ WINSTA® MIDI ▶ 771 Series**Pole No.: 2 ▶ Protection type: IP20 ▶ Fire class per EN 50575: E<sub>ca</sub>

- Protected against mismatching and maintenance-free
- Push-in CAGE CLAMP® spring pressure connection technology allows solid conductors to be simply pushed into a unit
- Two-wire connection per pole for loops or bridges

Electrical Data									
Coding	A;B;L			A;L			B		
Wire cross-section	1.5 mm <sup>2</sup>			2.5 mm <sup>2</sup>			1 mm <sup>2</sup>		
Ratings per	IEC/EN 60664-1			IEC/EN 60664-1			IEC/EN 60664-1		
Oversvoltage category	III	III	II	III	III	II	III	III	II
Pollution degree	3	2	2	3	2	2	3	2	2
Rated voltage	250 V	-	-	250 V	-	-	250 V	-	-
Rated impulse voltage	4 kV	-	-	4 kV	-	-	4 kV	-	-
Rated current	16 A	-	-	20 A	-	-	10 A	-	-

Material Data	
Insulation material	Polyamide (PA66)
Contact material	Copper or copper alloy (surface-treated)
Fire class per EN 50575	E <sub>ca</sub>

Mechanical Data	
Number of mating cycles	200, without resistive load
Mating force of a plug-in connection	approx. 20 ... 70 N (depending on pole number)
Unmating force of a plug-in connection	when unlocked: approx. 20 ... 70 N (depending on pole number)
Retention force of a plug-in connection	when locked: > 80N
Protection type	IP20
Note on protection type	When mated: IP2xC (These compact connectors are not designed for use in open, easily accessible areas!)

Environmental Requirements	
Processing temperature	-5 ... +40 °C
Continuous operating temperature	-35 ... +85 °C
Note on continuous operating temperature	PVC cable for temperatures ≤ 70 °C (including halogen-free) Insulating parts for temperatures ≤ 105 °C

All WINSTA® components are 100% protected against mismatching when:

- plugging different numbers of poles
- plugging while rotated 180
- plugging while laterally staggered
- plugging one pole

Cables with a different fire class can be found in the eShop.

Cover Page 380

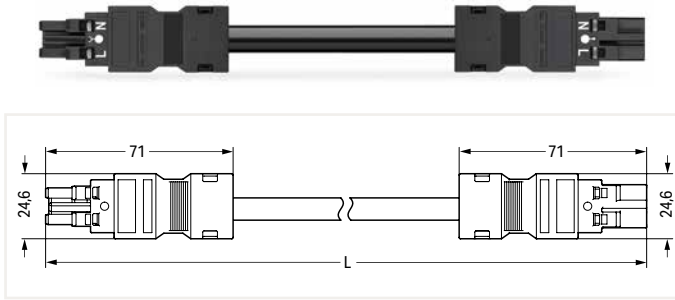
Marking Page 405

See technical section for further information

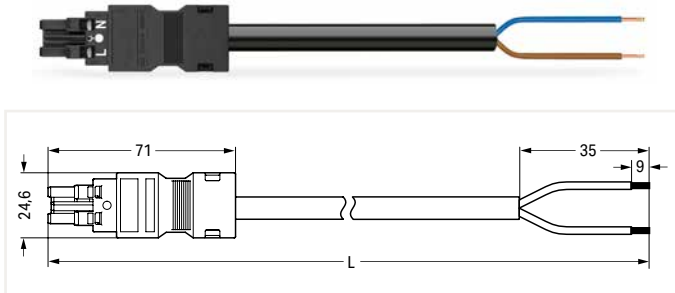
For approvals and corresponding ratings, visit [www.wago.com](http://www.wago.com)

### Cable Assembly ▶ WINSTA® MIDI ▶ 771 Series

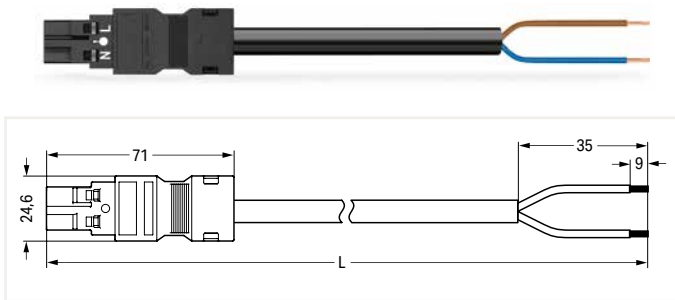
Pole No.: 2 ▶ Protection type: IP20 ▶ Fire class per EN 50575: E<sub>ca</sub> ▶ Coding: A ▶ 1.5 mm<sup>2</sup> ▶ Marking: L N ▶ PVC ▶ Sheathed cable diameter: 6.8 ... 8.6 mm ▶ H05VV-F 2x1.5 ▶ General mains applications



Interconnecting cable ▶ Socket - Plug			
Total length	Connector color/Strain relief color		PU
	black/black	white/white	
1 m	771-8992/006-101	771-8992/006-102	1
2 m	771-8992/006-201	771-8992/006-202	1
3 m	771-8992/006-301	771-8992/006-302	1
4 m	771-8992/006-401	771-8992/006-402	1
5 m	771-8992/006-501	771-8992/006-502	1
6 m	771-8992/006-601	771-8992/006-602	1
7 m	771-8992/006-701	771-8992/006-702	1
8 m	771-8992/006-801	771-8992/006-802	1



Connecting cable ▶ Socket - Free end ▶ Strip length (outer insulation): 35 mm			
Total length	Connector color/Strain relief color		PU
	black/black	white/white	
1 m	771-8992/106-101	771-8992/106-102	1
2 m	771-8992/106-201	771-8992/106-202	1
3 m	771-8992/106-301	771-8992/106-302	1
4 m	771-8992/106-401	771-8992/106-402	1
5 m	771-8992/106-501	771-8992/106-502	1
6 m	771-8992/106-601	771-8992/106-602	1
7 m	771-8992/106-701	771-8992/106-702	1
8 m	771-8992/106-801	771-8992/106-802	1



Connecting cable ▶ Plug - Free end ▶ Strip length (outer insulation): 35 mm			
Total length	Connector color/Strain relief color		PU
	black/black	white/white	
1 m	771-8992/206-101	771-8992/206-102	1
2 m	771-8992/206-201	771-8992/206-202	1
3 m	771-8992/206-301	771-8992/206-302	1
4 m	771-8992/206-401	771-8992/206-402	1
5 m	771-8992/206-501	771-8992/206-502	1
6 m	771-8992/206-601	771-8992/206-602	1
7 m	771-8992/206-701	771-8992/206-702	1
8 m	771-8992/206-801	771-8992/206-802	1

Accessories; for all products on this page



Locking lever; for flying leads; manually operated		
Color	Item No.	PU (SPU)
● black	770-101	100 (25)
○ white	770-121	100 (25)



Locking lever; for flying leads; tool operated		
Color	Item No.	PU (SPU)
● black	770-111	100 (25)
○ white	770-131	100 (25)



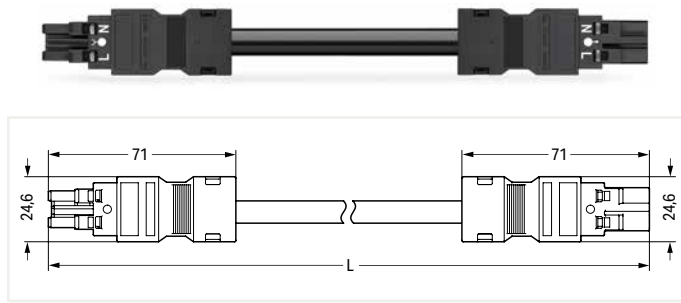
Mounting carrier; for flying leads; 2- to 5-pole		
Color	Item No.	PU
● black	770-310	25

PU = Packaging Unit; SPU = Subpackaging Unit; Dimensions in mm

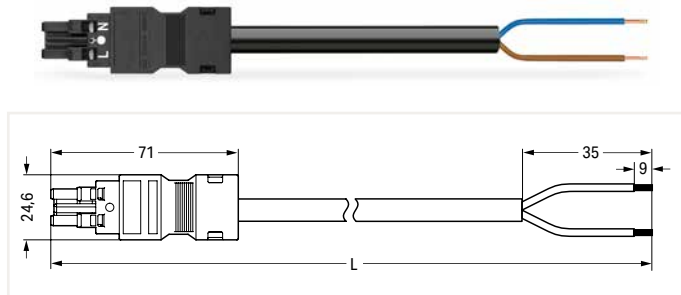
## Cable Assembly ▶ WINSTA® MIDI ▶ 771 Series

Pole No.: 2 ▶ Protection type: IP20 ▶ Fire class per EN 50575: E<sub>ca</sub> ▶ Coding: A ▶ 1.5 mm<sup>2</sup> ▶ Marking: L N ▶ Halogen-free ▶ Sheathed cable diameter: 6.8 ... 8.6 mm ▶ H05Z1Z1-F 2x1.5 ▶ General mains applications

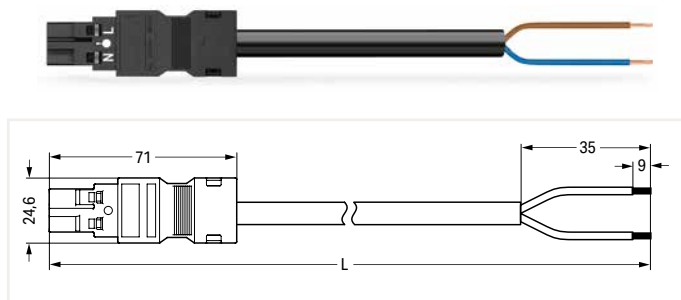
2



Interconnecting cable ▶ Socket - Plug			
Total length	Connector color/Strain relief color		PU
	black/black	white/white	
1 m	771-8992/016-101	771-8992/016-102	1
2 m	771-8992/016-201	771-8992/016-202	1
3 m	771-8992/016-301	771-8992/016-302	1
4 m	771-8992/016-401	771-8992/016-402	1
5 m	771-8992/016-501	771-8992/016-502	1
6 m	771-8992/016-601	771-8992/016-602	1
7 m	771-8992/016-701	771-8992/016-702	1
8 m	771-8992/016-801	771-8992/016-802	1



Connecting cable ▶ Socket - Free end ▶ Strip length (outer insulation): 35 mm			
Total length	Connector color/Strain relief color		PU
	black/black	white/white	
1 m	771-8992/116-101	771-8992/116-102	1
2 m	771-8992/116-201	771-8992/116-202	1
3 m	771-8992/116-301	771-8992/116-302	1
4 m	771-8992/116-401	771-8992/116-402	1
5 m	771-8992/116-501	771-8992/116-502	1
6 m	771-8992/116-601	771-8992/116-602	1
7 m	771-8992/116-701	771-8992/116-702	1
8 m	771-8992/116-801	771-8992/116-802	1



Connecting cable ▶ Plug - Free end ▶ Strip length (outer insulation): 35 mm			
Total length	Connector color/Strain relief color		PU
	black/black	white/white	
1 m	771-8992/216-101	771-8992/216-102	1
2 m	771-8992/216-201	771-8992/216-202	1
3 m	771-8992/216-301	771-8992/216-302	1
4 m	771-8992/216-401	771-8992/216-402	1
5 m	771-8992/216-501	771-8992/216-502	1
6 m	771-8992/216-601	771-8992/216-602	1
7 m	771-8992/216-701	771-8992/216-702	1
8 m	771-8992/216-801	771-8992/216-802	1

### Accessories; for all products on this page



Locking lever; for flying leads; manually operated		
Color	Item No.	PU (SPU)
● black	770-101	100 (25)
○ white	770-121	100 (25)



Locking lever; for flying leads; tool operated		
Color	Item No.	PU (SPU)
● black	770-111	100 (25)
○ white	770-131	100 (25)

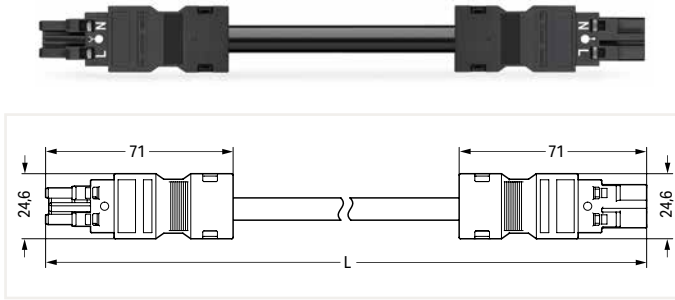


Mounting carrier; for flying leads; 2- to 5-pole		
Color	Item No.	PU
● black	770-310	25

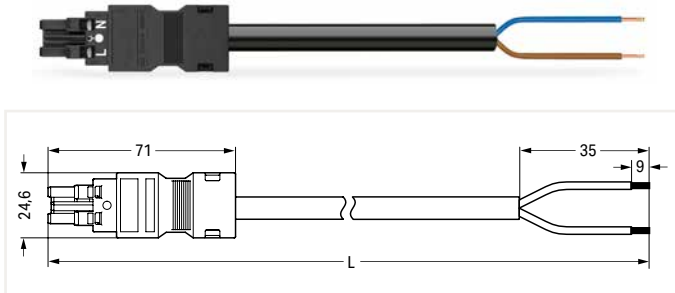
PU = Packaging Unit; SPU = Subpackaging Unit; Dimensions in mm

### Cable Assembly ▶ WINSTA® MIDI ▶ 771 Series

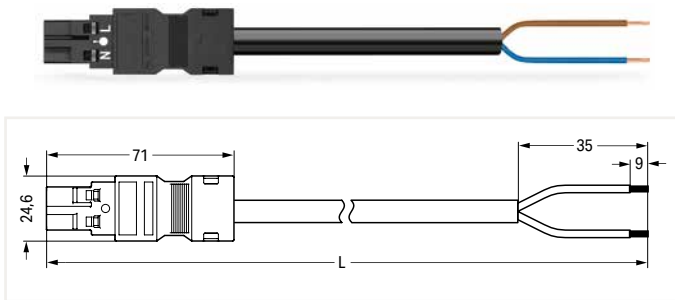
Pole No.: 2 ▶ Protection type: IP20 ▶ Fire class per EN 50575: E<sub>ca</sub> ▶ Coding: A ▶ 2.5 mm<sup>2</sup> ▶ Marking: L N ▶ PVC ▶ Sheathed cable diameter: 8.4 ... 10.6 mm ▶ H05VV-F 2x2.5 ▶ General mains applications



Interconnecting cable ▶ Socket - Plug			
Total length	Connector color/Strain relief color		PU
	black/black	white/white	
1 m	771-8992/007-101	771-8992/007-102	1
2 m	771-8992/007-201	771-8992/007-202	1
3 m	771-8992/007-301	771-8992/007-302	1
4 m	771-8992/007-401	771-8992/007-402	1
5 m	771-8992/007-501	771-8992/007-502	1
6 m	771-8992/007-601	771-8992/007-602	1
7 m	771-8992/007-701	771-8992/007-702	1
8 m	771-8992/007-801	771-8992/007-802	1



Connecting cable ▶ Socket - Free end ▶ Strip length (outer insulation): 35 mm			
Total length	Connector color/Strain relief color		PU
	black/black	white/white	
1 m	771-8992/107-101	771-8992/107-102	1
2 m	771-8992/107-201	771-8992/107-202	1
3 m	771-8992/107-301	771-8992/107-302	1
4 m	771-8992/107-401	771-8992/107-402	1
5 m	771-8992/107-501	771-8992/107-502	1
6 m	771-8992/107-601	771-8992/107-602	1
7 m	771-8992/107-701	771-8992/107-702	1
8 m	771-8992/107-801	771-8992/107-802	1



Connecting cable ▶ Plug - Free end ▶ Strip length (outer insulation): 35 mm			
Total length	Connector color/Strain relief color		PU
	black/black	white/white	
1 m	771-8992/207-101	771-8992/207-102	1
2 m	771-8992/207-201	771-8992/207-202	1
3 m	771-8992/207-301	771-8992/207-302	1
4 m	771-8992/207-401	771-8992/207-402	1
5 m	771-8992/207-501	771-8992/207-502	1
6 m	771-8992/207-601	771-8992/207-602	1
7 m	771-8992/207-701	771-8992/207-702	1
8 m	771-8992/207-801	771-8992/207-802	1

Accessories; for all products on this page



Locking lever; for flying leads; manually operated		
Color	Item No.	PU (SPU)
● black	770-101	100 (25)
○ white	770-121	100 (25)



Locking lever; for flying leads; tool operated		
Color	Item No.	PU (SPU)
● black	770-111	100 (25)
○ white	770-131	100 (25)



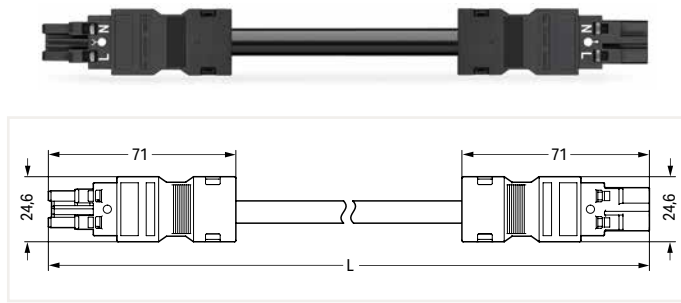
Mounting carrier; for flying leads; 2- to 5-pole		
Color	Item No.	PU
● black	770-310	25

PU = Packaging Unit; SPU = Subpackaging Unit; Dimensions in mm

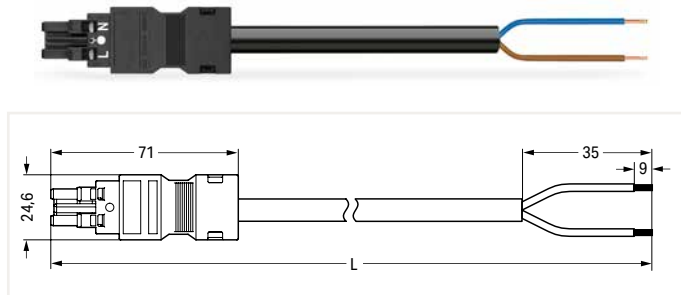
## Cable Assembly ▶ WINSTA® MIDI ▶ 771 Series

Pole No.: 2 ▶ Protection type: IP20 ▶ Fire class per EN 50575: E<sub>ca</sub> ▶ Coding: A ▶ 2.5 mm<sup>2</sup> ▶ Mar-  
 king: L N ▶ Halogen-free ▶ Sheathed cable diameter: 8.4 ... 10.6 mm ▶ H05Z1Z1-F 2x2.5 ▶ General  
 mains applications

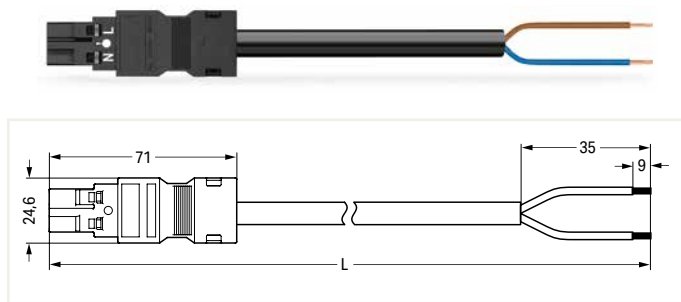
2



Interconnecting cable ▶ Socket - Plug			
Total length	Connector color/Strain relief color		PU
	black/black	white/white	
1 m	771-8992/017-101	771-8992/017-102	1
2 m	771-8992/017-201	771-8992/017-202	1
3 m	771-8992/017-301	771-8992/017-302	1
4 m	771-8992/017-401	771-8992/017-402	1
5 m	771-8992/017-501	771-8992/017-502	1
6 m	771-8992/017-601	771-8992/017-602	1
7 m	771-8992/017-701	771-8992/017-702	1
8 m	771-8992/017-801	771-8992/017-802	1



Connecting cable ▶ Socket - Free end ▶ Strip length (outer insulation): 35 mm			
Total length	Connector color/Strain relief color		PU
	black/black	white/white	
1 m	771-8992/117-101	771-8992/117-102	1
2 m	771-8992/117-201	771-8992/117-202	1
3 m	771-8992/117-301	771-8992/117-302	1
4 m	771-8992/117-401	771-8992/117-402	1
5 m	771-8992/117-501	771-8992/117-502	1
6 m	771-8992/117-601	771-8992/117-602	1
7 m	771-8992/117-701	771-8992/117-702	1
8 m	771-8992/117-801	771-8992/117-802	1



Connecting cable ▶ Plug - Free end ▶ Strip length (outer insulation): 35 mm			
Total length	Connector color/Strain relief color		PU
	black/black	white/white	
1 m	771-8992/217-101	771-8992/217-102	1
2 m	771-8992/217-201	771-8992/217-202	1
3 m	771-8992/217-301	771-8992/217-302	1
4 m	771-8992/217-401	771-8992/217-402	1
5 m	771-8992/217-501	771-8992/217-502	1
6 m	771-8992/217-601	771-8992/217-602	1
7 m	771-8992/217-701	771-8992/217-702	1
8 m	771-8992/217-801	771-8992/217-802	1

### Accessories; for all products on this page



Locking lever; for flying leads; manually operated		
Color	Item No.	PU (SPU)
● black	770-101	100 (25)
○ white	770-121	100 (25)



Locking lever; for flying leads; tool operated		
Color	Item No.	PU (SPU)
● black	770-111	100 (25)
○ white	770-131	100 (25)

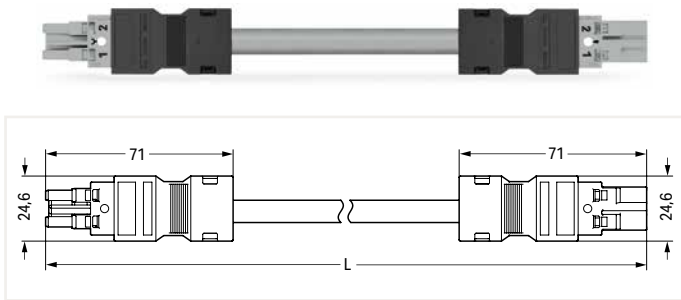


Mounting carrier; for flying leads; 2- to 5-pole		
Color	Item No.	PU
● black	770-310	25

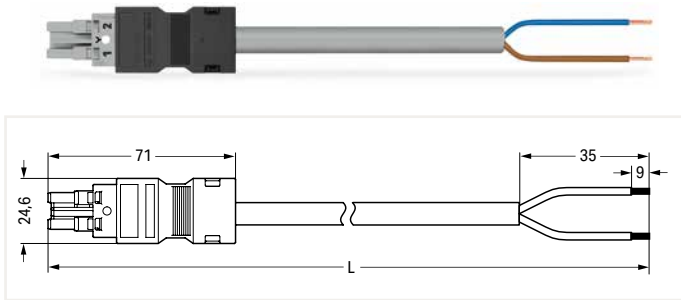
PU = Packaging Unit; SPU = Subpackaging Unit; Dimensions in mm

### Cable Assembly ▶ WINSTA® MIDI ▶ 771 Series

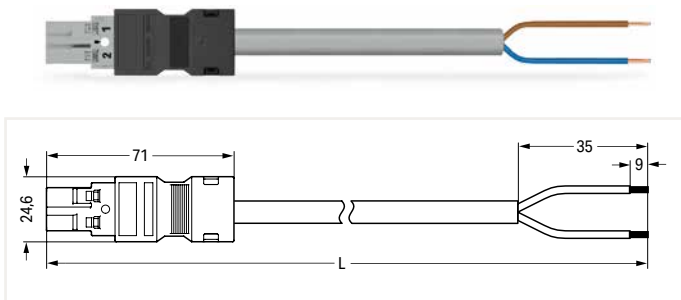
Pole No.: 2 ▶ Protection type: IP20 ▶ Fire class per EN 50575: E<sub>ca</sub> ▶ Coding: B ▶ 1 mm<sup>2</sup> ▶ Marking: 1 2 ▶ PVC ▶ Sheathed cable diameter: 5.9 ... 7.5 mm ▶ Control line 2 x 1 ▶ Measurement and regulation technology



Interconnecting cable ▶ Socket - Plug				
Total length	Connector color/Strain relief color			PU
	gray/black	light green/black	pink/black	
1 m	771-8992/005-103	771-8992/005-105	771-8992/005-107	1
2 m	771-8992/005-203	771-8992/005-205	771-8992/005-207	1
3 m	771-8992/005-303	771-8992/005-305	771-8992/005-307	1
4 m	771-8992/005-403	771-8992/005-405	771-8992/005-407	1
5 m	771-8992/005-503	771-8992/005-505	771-8992/005-507	1
6 m	771-8992/005-603	771-8992/005-605	771-8992/005-607	1
7 m	771-8992/005-703	771-8992/005-705	771-8992/005-707	1
8 m	771-8992/005-803	771-8992/005-805	771-8992/005-807	1



Connecting cable ▶ Socket - Free end ▶ Strip length (outer insulation): 35 mm				
Total length	Connector color/Strain relief color			PU
	gray/black	light green/black	pink/black	
1 m	771-8992/105-103	771-8992/105-105	771-8992/105-107	1
2 m	771-8992/105-203	771-8992/105-205	771-8992/105-207	1
3 m	771-8992/105-303	771-8992/105-305	771-8992/105-307	1
4 m	771-8992/105-403	771-8992/105-405	771-8992/105-407	1
5 m	771-8992/105-503	771-8992/105-505	771-8992/105-507	1
6 m	771-8992/105-603	771-8992/105-605	771-8992/105-607	1
7 m	771-8992/105-703	771-8992/105-705	771-8992/105-707	1
8 m	771-8992/105-803	771-8992/105-805	771-8992/105-807	1



Connecting cable ▶ Plug - Free end ▶ Strip length (outer insulation): 35 mm				
Total length	Connector color/Strain relief color			PU
	gray/black	light green/black	pink/black	
1 m	771-8992/205-103	771-8992/205-105	771-8992/205-107	1
2 m	771-8992/205-203	771-8992/205-205	771-8992/205-207	1
3 m	771-8992/205-303	771-8992/205-305	771-8992/205-307	1
4 m	771-8992/205-403	771-8992/205-405	771-8992/205-407	1
5 m	771-8992/205-503	771-8992/205-505	771-8992/205-507	1
6 m	771-8992/205-603	771-8992/205-605	771-8992/205-607	1
7 m	771-8992/205-703	771-8992/205-705	771-8992/205-707	1
8 m	771-8992/205-803	771-8992/205-805	771-8992/205-807	1

2

Accessories; for all products on this page



Locking lever; for flying leads; manually operated			
Color	Item No.	PU (SPU)	
● black	770-101	100 (25)	
○ white	770-121	100 (25)	



Locking lever; for flying leads; tool operated			
Color	Item No.	PU (SPU)	
● black	770-111	100 (25)	
○ white	770-131	100 (25)	



Mounting carrier; for flying leads; 2- to 5-pole			
Color	Item No.	PU	
● black	770-310	25	

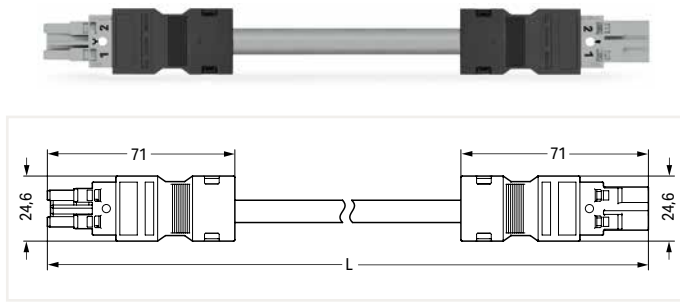
PU = Packaging Unit; SPU = Subpackaging Unit; Dimensions in mm



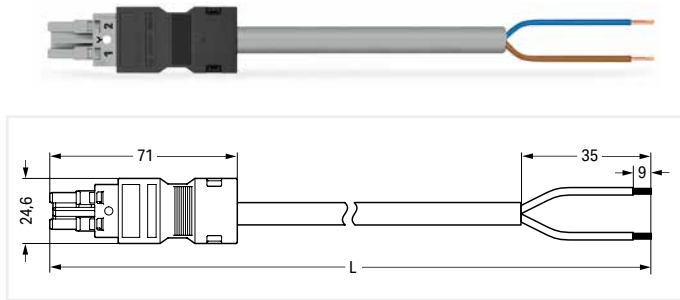
## Cable Assembly ▶ WINSTA® MIDI ▶ 771 Series

Pole No.: 2 ▶ Protection type: IP20 ▶ Fire class per EN 50575: E<sub>ca</sub> ▶ Coding: B ▶ 1.5 mm<sup>2</sup> ▶ Marking: 1 2 ▶ PVC ▶ Sheathed cable diameter: 6.8 ... 8.6 mm ▶ Control line 2 x 1.5 ▶ Measurement and regulation technology

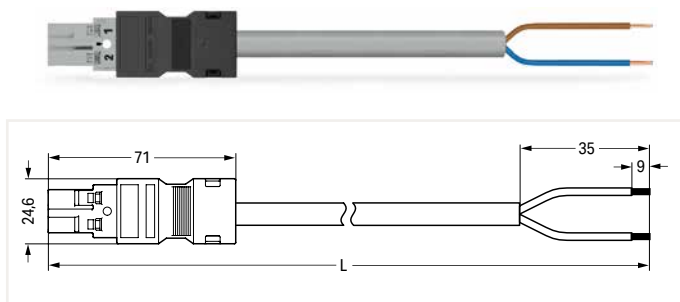
2



Interconnecting cable ▶ Socket - Plug				
Total length	Connector color/Strain relief color			PU
	gray/black	light green/black	pink/black	
1 m	771-8992/006-103	771-8992/006-105	771-8992/006-107	1
2 m	771-8992/006-203	771-8992/006-205	771-8992/006-207	1
3 m	771-8992/006-303	771-8992/006-305	771-8992/006-307	1
4 m	771-8992/006-403	771-8992/006-405	771-8992/006-407	1
5 m	771-8992/006-503	771-8992/006-505	771-8992/006-507	1
6 m	771-8992/006-603	771-8992/006-605	771-8992/006-607	1
7 m	771-8992/006-703	771-8992/006-705	771-8992/006-707	1
8 m	771-8992/006-803	771-8992/006-805	771-8992/006-807	1



Connecting cable ▶ Socket - Free end ▶ Strip length (outer insulation): 35 mm				
Total length	Connector color/Strain relief color			PU
	gray/black	light green/black	pink/black	
1 m	771-8992/106-103	771-8992/106-105	771-8992/106-107	1
2 m	771-8992/106-203	771-8992/106-205	771-8992/106-207	1
3 m	771-8992/106-303	771-8992/106-305	771-8992/106-307	1
4 m	771-8992/106-403	771-8992/106-405	771-8992/106-407	1
5 m	771-8992/106-503	771-8992/106-505	771-8992/106-507	1
6 m	771-8992/106-603	771-8992/106-605	771-8992/106-607	1
7 m	771-8992/106-703	771-8992/106-705	771-8992/106-707	1
8 m	771-8992/106-803	771-8992/106-805	771-8992/106-807	1



Connecting cable ▶ Plug - Free end ▶ Strip length (outer insulation): 35 mm				
Total length	Connector color/Strain relief color			PU
	gray/black	light green/black	pink/black	
1 m	771-8992/206-103	771-8992/206-105	771-8992/206-107	1
2 m	771-8992/206-203	771-8992/206-205	771-8992/206-207	1
3 m	771-8992/206-303	771-8992/206-305	771-8992/206-307	1
4 m	771-8992/206-403	771-8992/206-405	771-8992/206-407	1
5 m	771-8992/206-503	771-8992/206-505	771-8992/206-507	1
6 m	771-8992/206-603	771-8992/206-605	771-8992/206-607	1
7 m	771-8992/206-703	771-8992/206-705	771-8992/206-707	1
8 m	771-8992/206-803	771-8992/206-805	771-8992/206-807	1

### Accessories; for all products on this page



Locking lever; for flying leads; manually operated			
Color	Item No.	PU (SPU)	
● black	770-101	100 (25)	
○ white	770-121	100 (25)	



Locking lever; for flying leads; tool operated			
Color	Item No.	PU (SPU)	
● black	770-111	100 (25)	
○ white	770-131	100 (25)	

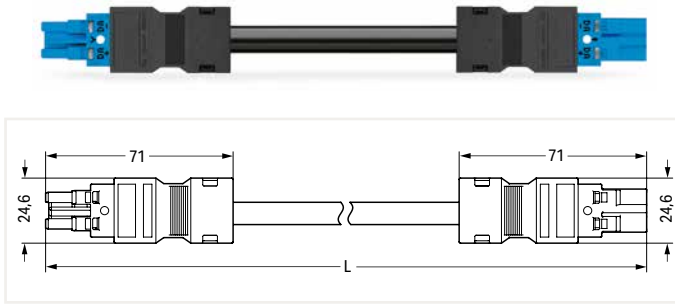


Mounting carrier; for flying leads; 2- to 5-pole			
Color	Item No.	PU	
● black	770-310	25	

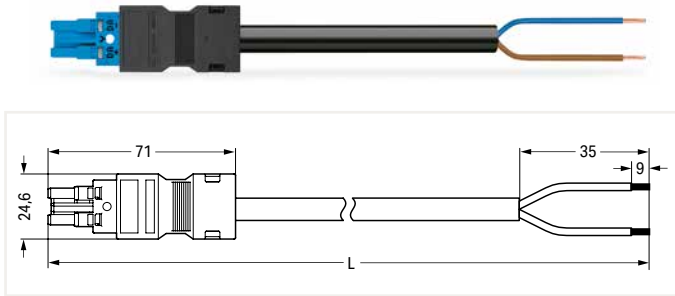
PU = Packaging Unit; SPU = Subpackaging Unit; Dimensions in mm

### Cable Assembly ▶ WINSTA® MIDI ▶ 771 Series

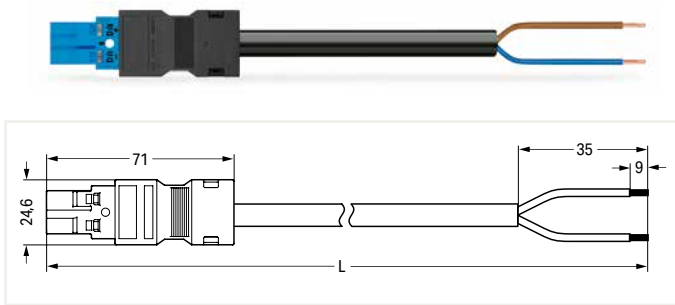
Pole No.: 2 ▶ Protection type: IP20 ▶ Fire class per EN 50575: E<sub>ca</sub> ▶ Coding: I ▶ 1.5 mm<sup>2</sup> ▶ Marking: DA+ DA- ▶ PVC ▶ Sheathed cable diameter: 6.8 ... 8.6 mm ▶ H05VV-F 2x1.5 ▶ DALI, Lighting Management



Interconnecting cable ▶ Socket - Plug			
Total length	Connector color/Strain relief color		PU
	blue/black	blue/white	
1 m	771-8982/006-101	771-8982/006-102	1
2 m	771-8982/006-201	771-8982/006-202	1
3 m	771-8982/006-301	771-8982/006-302	1
4 m	771-8982/006-401	771-8982/006-402	1
5 m	771-8982/006-501	771-8982/006-502	1
6 m	771-8982/006-601	771-8982/006-602	1
7 m	771-8982/006-701	771-8982/006-702	1
8 m	771-8982/006-801	771-8982/006-802	1



Connecting cable ▶ Socket - Free end ▶ Strip length (outer insulation): 35 mm			
Total length	Connector color/Strain relief color		PU
	blue/black	blue/white	
1 m	771-8982/106-101	771-8982/106-102	1
2 m	771-8982/106-201	771-8982/106-202	1
3 m	771-8982/106-301	771-8982/106-302	1
4 m	771-8982/106-401	771-8982/106-402	1
5 m	771-8982/106-501	771-8982/106-502	1
6 m	771-8982/106-601	771-8982/106-602	1
7 m	771-8982/106-701	771-8982/106-702	1
8 m	771-8982/106-801	771-8982/106-802	1



Connecting cable ▶ Plug - Free end ▶ Strip length (outer insulation): 35 mm			
Total length	Connector color/Strain relief color		PU
	blue/black	blue/white	
1 m	771-8982/206-101	771-8982/206-102	1
2 m	771-8982/206-201	771-8982/206-202	1
3 m	771-8982/206-301	771-8982/206-302	1
4 m	771-8982/206-401	771-8982/206-402	1
5 m	771-8982/206-501	771-8982/206-502	1
6 m	771-8982/206-601	771-8982/206-602	1
7 m	771-8982/206-701	771-8982/206-702	1
8 m	771-8982/206-801	771-8982/206-802	1

Accessories; for all products on this page



Locking lever; for flying leads; manually operated		
Color	Item No.	PU (SPU)
● black	770-101	100 (25)
○ white	770-121	100 (25)



Locking lever; for flying leads; tool operated		
Color	Item No.	PU (SPU)
● black	770-111	100 (25)
○ white	770-131	100 (25)

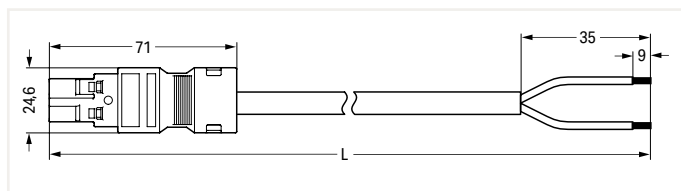
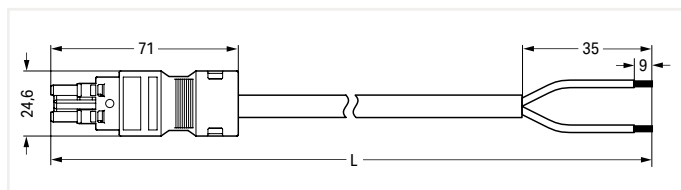
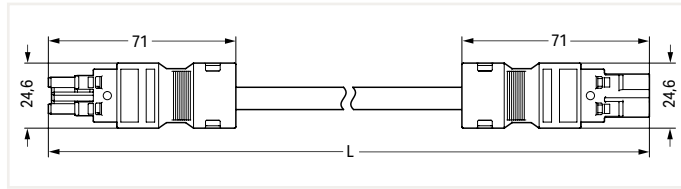


Mounting carrier; for flying leads; 2- to 5-pole		
Color	Item No.	PU
● black	770-310	25

PU = Packaging Unit; SPU = Subpackaging Unit; Dimensions in mm

## Cable Assembly ▶ WINSTA® MIDI ▶ 771 Series

Pole No.: 2 ▶ Protection type: IP20 ▶ Fire class per EN 50575: E<sub>ca</sub> ▶ Coding: I ▶ 1.5 mm<sup>2</sup> ▶ Marking: DA+ DA- ▶ Halogen-free ▶ Sheathed cable diameter: 6.8 ... 8.6 mm ▶ H05Z1Z1-F 2x1.5 ▶ DALI, Lighting Management



### Interconnecting cable ▶ Socket - Plug

Total length	Connector color/Strain relief color		PU
	blue/black	blue/white	
1 m	771-8982/016-101	771-8982/016-102	1
2 m	771-8982/016-201	771-8982/016-202	1
3 m	771-8982/016-301	771-8982/016-302	1
4 m	771-8982/016-401	771-8982/016-402	1
5 m	771-8982/016-501	771-8982/016-502	1
6 m	771-8982/016-601	771-8982/016-602	1
7 m	771-8982/016-701	771-8982/016-702	1
8 m	771-8982/016-801	771-8982/016-802	1

### Connecting cable ▶ Socket - Free end ▶ Strip length (outer insulation): 35 mm

Total length	Connector color/Strain relief color		PU
	blue/black	blue/white	
1 m	771-8982/116-101	771-8982/116-102	1
2 m	771-8982/116-201	771-8982/116-202	1
3 m	771-8982/116-301	771-8982/116-302	1
4 m	771-8982/116-401	771-8982/116-402	1
5 m	771-8982/116-501	771-8982/116-502	1
6 m	771-8982/116-601	771-8982/116-602	1
7 m	771-8982/116-701	771-8982/116-702	1
8 m	771-8982/116-801	771-8982/116-802	1

### Connecting cable ▶ Plug - Free end ▶ Strip length (outer insulation): 35 mm

Total length	Connector color/Strain relief color		PU
	blue/black	blue/white	
1 m	771-8982/216-101	771-8982/216-102	1
2 m	771-8982/216-201	771-8982/216-202	1
3 m	771-8982/216-301	771-8982/216-302	1
4 m	771-8982/216-401	771-8982/216-402	1
5 m	771-8982/216-501	771-8982/216-502	1
6 m	771-8982/216-601	771-8982/216-602	1
7 m	771-8982/216-701	771-8982/216-702	1
8 m	771-8982/216-801	771-8982/216-802	1

### Accessories; for all products on this page



Locking lever; for flying leads; manually operated		
Color	Item No.	PU (SPU)
● black	770-101	100 (25)
○ white	770-121	100 (25)



Locking lever; for flying leads; tool operated		
Color	Item No.	PU (SPU)
● black	770-111	100 (25)
○ white	770-131	100 (25)

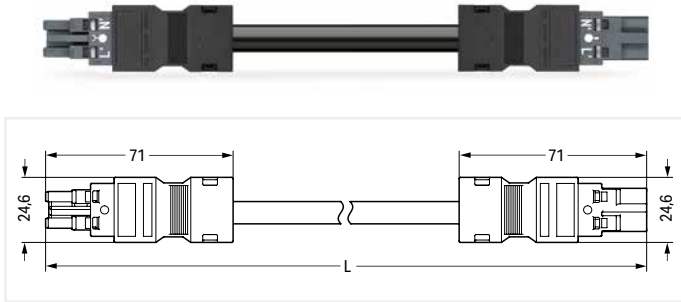


Mounting carrier; for flying leads; 2- to 5-pole		
Color	Item No.	PU
● black	770-310	25

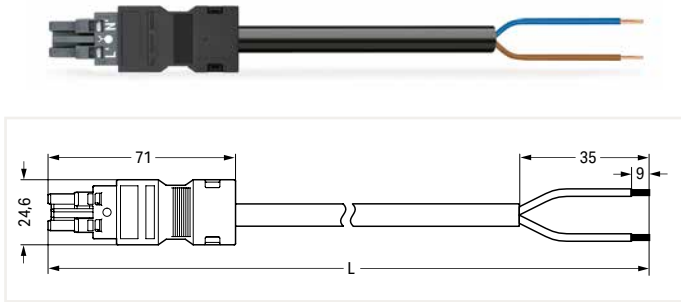
PU = Packaging Unit; SPU = Subpackaging Unit; Dimensions in mm

### Cable Assembly ▶ WINSTA® MIDI ▶ 771 Series

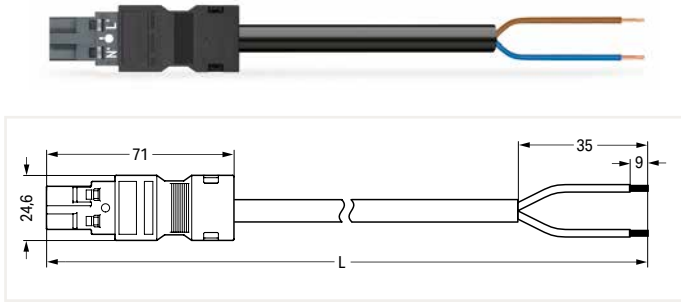
Pole No.: 2 ▶ Protection type: IP20 ▶ Fire class per EN 50575: E<sub>ca</sub> ▶ Coding: L ▶ 1.5 mm<sup>2</sup> ▶ Marking: L' N' ▶ PVC ▶ Sheathed cable diameter: 6.8 ... 8.6 mm ▶ H05VV-F 2x1.5 ▶ Emergency power supply



Interconnecting cable ▶ Socket - Plug			
Total length	Connector color/Strain relief color		PU
	dark gray/black	dark gray/white	
1 m	771-8982/006-103	771-8982/006-104	1
2 m	771-8982/006-203	771-8982/006-204	1
3 m	771-8982/006-303	771-8982/006-304	1
4 m	771-8982/006-403	771-8982/006-404	1
5 m	771-8982/006-503	771-8982/006-504	1
6 m	771-8982/006-603	771-8982/006-604	1
7 m	771-8982/006-703	771-8982/006-704	1
8 m	771-8982/006-803	771-8982/006-804	1



Connecting cable ▶ Socket - Free end ▶ Strip length (outer insulation): 35 mm			
Total length	Connector color/Strain relief color		PU
	dark gray/black	dark gray/white	
1 m	771-8982/106-103	771-8982/106-104	1
2 m	771-8982/106-203	771-8982/106-204	1
3 m	771-8982/106-303	771-8982/106-304	1
4 m	771-8982/106-403	771-8982/106-404	1
5 m	771-8982/106-503	771-8982/106-504	1
6 m	771-8982/106-603	771-8982/106-604	1
7 m	771-8982/106-703	771-8982/106-704	1
8 m	771-8982/106-803	771-8982/106-804	1



Connecting cable ▶ Plug - Free end ▶ Strip length (outer insulation): 35 mm			
Total length	Connector color/Strain relief color		PU
	dark gray/black	dark gray/white	
1 m	771-8982/206-103	771-8982/206-104	1
2 m	771-8982/206-203	771-8982/206-204	1
3 m	771-8982/206-303	771-8982/206-304	1
4 m	771-8982/206-403	771-8982/206-404	1
5 m	771-8982/206-503	771-8982/206-504	1
6 m	771-8982/206-603	771-8982/206-604	1
7 m	771-8982/206-703	771-8982/206-704	1
8 m	771-8982/206-803	771-8982/206-804	1

2

#### Accessories; for all products on this page



Locking lever; for flying leads; manually operated		
Color	Item No.	PU (SPU)
● black	770-101	100 (25)
○ white	770-121	100 (25)



Locking lever; for flying leads; tool operated		
Color	Item No.	PU (SPU)
● black	770-111	100 (25)
○ white	770-131	100 (25)

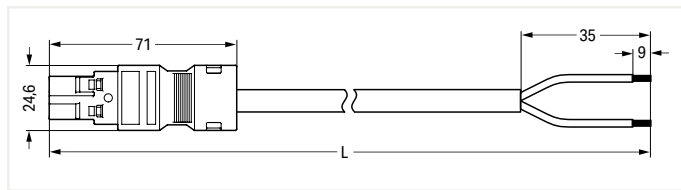
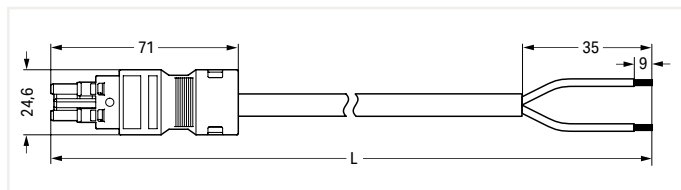
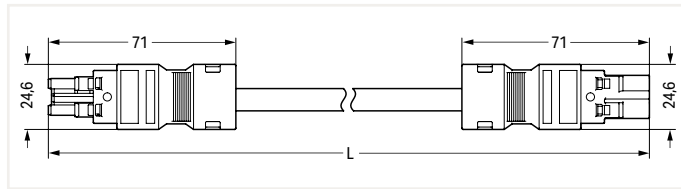


Mounting carrier; for flying leads; 2- to 5-pole		
Color	Item No.	PU
● black	770-310	25

PU = Packaging Unit; SPU = Subpackaging Unit; Dimensions in mm

## Cable Assembly ▶ WINSTA® MIDI ▶ 771 Series

Pole No.: 2 ▶ Protection type: IP20 ▶ Fire class per EN 50575: E<sub>ca</sub> ▶ Coding: L ▶ 1.5 mm<sup>2</sup> ▶ Marking: L' N' ▶ Halogen-free ▶ Sheathed cable diameter: 6.8 ... 8.6 mm ▶ H05Z1Z1-F 2x1.5 ▶ Emergency power supply



### Interconnecting cable ▶ Socket - Plug

Total length	Connector color/Strain relief color		PU
	dark gray/black	dark gray/white	
1 m	771-8982/016-103	771-8982/016-104	1
2 m	771-8982/016-203	771-8982/016-204	1
3 m	771-8982/016-303	771-8982/016-304	1
4 m	771-8982/016-403	771-8982/016-404	1
5 m	771-8982/016-503	771-8982/016-504	1
6 m	771-8982/016-603	771-8982/016-604	1
7 m	771-8982/016-703	771-8982/016-704	1
8 m	771-8982/016-803	771-8982/016-804	1

### Connecting cable ▶ Socket - Free end ▶ Strip length (outer insulation): 35 mm

Total length	Connector color/Strain relief color		PU
	dark gray/black	dark gray/white	
1 m	771-8982/116-103	771-8982/116-104	1
2 m	771-8982/116-203	771-8982/116-204	1
3 m	771-8982/116-303	771-8982/116-304	1
4 m	771-8982/116-403	771-8982/116-404	1
5 m	771-8982/116-503	771-8982/116-504	1
6 m	771-8982/116-603	771-8982/116-604	1
7 m	771-8982/116-703	771-8982/116-704	1
8 m	771-8982/116-803	771-8982/116-804	1

### Connecting cable ▶ Plug - Free end ▶ Strip length (outer insulation): 35 mm

Total length	Connector color/Strain relief color		PU
	dark gray/black	dark gray/white	
1 m	771-8982/216-103	771-8982/216-104	1
2 m	771-8982/216-203	771-8982/216-204	1
3 m	771-8982/216-303	771-8982/216-304	1
4 m	771-8982/216-403	771-8982/216-404	1
5 m	771-8982/216-503	771-8982/216-504	1
6 m	771-8982/216-603	771-8982/216-604	1
7 m	771-8982/216-703	771-8982/216-704	1
8 m	771-8982/216-803	771-8982/216-804	1

### Accessories; for all products on this page



Locking lever; for flying leads; manually operated		
Color	Item No.	PU (SPU)
● black	770-101	100 (25)
○ white	770-121	100 (25)



Locking lever; for flying leads; tool operated		
Color	Item No.	PU (SPU)
● black	770-111	100 (25)
○ white	770-131	100 (25)

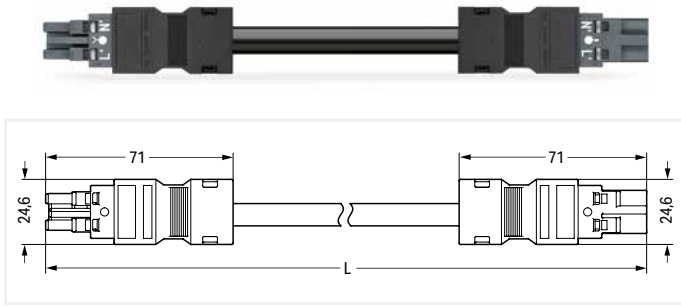


Mounting carrier; for flying leads; 2- to 5-pole		
Color	Item No.	PU
● black	770-310	25

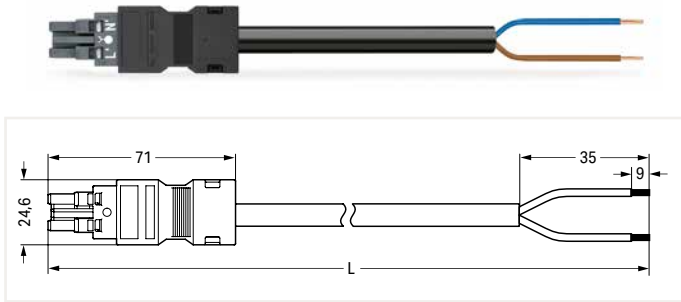
PU = Packaging Unit; SPU = Subpackaging Unit; Dimensions in mm

### Cable Assembly ▶ WINSTA® MIDI ▶ 771 Series

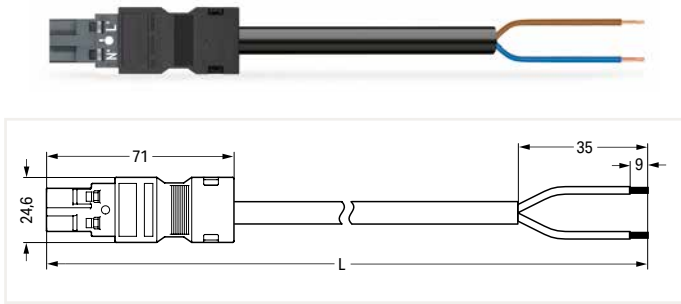
Pole No.: 2 ▶ Protection type: IP20 ▶ Fire class per EN 50575: E<sub>ca</sub> ▶ Coding: L ▶ 2.5 mm<sup>2</sup> ▶ Marking: L' N' ▶ PVC ▶ Sheathed cable diameter: 8.4 ... 10.6 mm ▶ H05VV-F 2x2.5 ▶ Emergency power supply



Interconnecting cable ▶ Socket - Plug			
Total length	Connector color/Strain relief color		PU
	dark gray/black	dark gray/white	
1 m	771-8982/007-103	771-8982/007-104	1
2 m	771-8982/007-203	771-8982/007-204	1
3 m	771-8982/007-303	771-8982/007-304	1
4 m	771-8982/007-403	771-8982/007-404	1
5 m	771-8982/007-503	771-8982/007-504	1
6 m	771-8982/007-603	771-8982/007-604	1
7 m	771-8982/007-703	771-8982/007-704	1
8 m	771-8982/007-803	771-8982/007-804	1



Connecting cable ▶ Socket - Free end ▶ Strip length (outer insulation): 35 mm			
Total length	Connector color/Strain relief color		PU
	dark gray/black	dark gray/white	
1 m	771-8982/107-103	771-8982/107-104	1
2 m	771-8982/107-203	771-8982/107-204	1
3 m	771-8982/107-303	771-8982/107-304	1
4 m	771-8982/107-403	771-8982/107-404	1
5 m	771-8982/107-503	771-8982/107-504	1
6 m	771-8982/107-603	771-8982/107-604	1
7 m	771-8982/107-703	771-8982/107-704	1
8 m	771-8982/107-803	771-8982/107-804	1



Connecting cable ▶ Plug - Free end ▶ Strip length (outer insulation): 35 mm			
Total length	Connector color/Strain relief color		PU
	dark gray/black	dark gray/white	
1 m	771-8982/207-103	771-8982/207-104	1
2 m	771-8982/207-203	771-8982/207-204	1
3 m	771-8982/207-303	771-8982/207-304	1
4 m	771-8982/207-403	771-8982/207-404	1
5 m	771-8982/207-503	771-8982/207-504	1
6 m	771-8982/207-603	771-8982/207-604	1
7 m	771-8982/207-703	771-8982/207-704	1
8 m	771-8982/207-803	771-8982/207-804	1

2

Accessories; for all products on this page



Locking lever; for flying leads; manually operated		
Color	Item No.	PU (SPU)
● black	770-101	100 (25)
○ white	770-121	100 (25)



Locking lever; for flying leads; tool operated		
Color	Item No.	PU (SPU)
● black	770-111	100 (25)
○ white	770-131	100 (25)

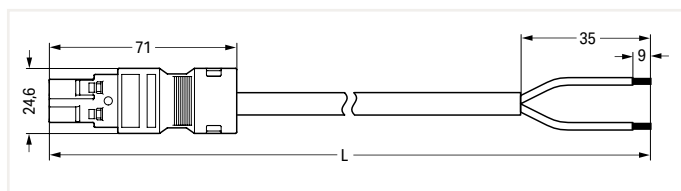
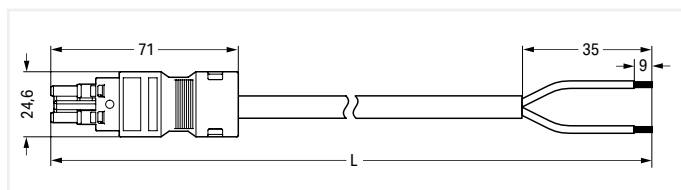
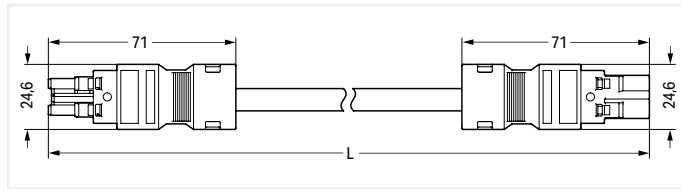


Mounting carrier; for flying leads; 2- to 5-pole		
Color	Item No.	PU
● black	770-310	25

PU = Packaging Unit; SPU = Subpackaging Unit; Dimensions in mm

## Cable Assembly ▶ WINSTA® MIDI ▶ 771 Series

Pole No.: 2 ▶ Protection type: IP20 ▶ Fire class per EN 50575: E<sub>ca</sub> ▶ Coding: L ▶ 2.5 mm<sup>2</sup> ▶ Marking: L' N' ▶ Halogen-free ▶ Sheathed cable diameter: 8.4 ... 10.6 mm ▶ H05Z1Z1-F 2x2.5 ▶ Emergency power supply



### Interconnecting cable ▶ Socket - Plug

Total length	Connector color/Strain relief color		PU
	dark gray/black	dark gray/white	
1 m	771-8982/017-103	771-8982/017-104	1
2 m	771-8982/017-203	771-8982/017-204	1
3 m	771-8982/017-303	771-8982/017-304	1
4 m	771-8982/017-403	771-8982/017-404	1
5 m	771-8982/017-503	771-8982/017-504	1
6 m	771-8982/017-603	771-8982/017-604	1
7 m	771-8982/017-703	771-8982/017-704	1
8 m	771-8982/017-803	771-8982/017-804	1

### Connecting cable ▶ Socket - Free end ▶ Strip length (outer insulation): 35 mm

Total length	Connector color/Strain relief color		PU
	dark gray/black	dark gray/white	
1 m	771-8982/117-103	771-8982/117-104	1
2 m	771-8982/117-203	771-8982/117-204	1
3 m	771-8982/117-303	771-8982/117-304	1
4 m	771-8982/117-403	771-8982/117-404	1
5 m	771-8982/117-503	771-8982/117-504	1
6 m	771-8982/117-603	771-8982/117-604	1
7 m	771-8982/117-703	771-8982/117-704	1
8 m	771-8982/117-803	771-8982/117-804	1

### Connecting cable ▶ Plug - Free end ▶ Strip length (outer insulation): 35 mm

Total length	Connector color/Strain relief color		PU
	dark gray/black	dark gray/white	
1 m	771-8982/217-103	771-8982/217-104	1
2 m	771-8982/217-203	771-8982/217-204	1
3 m	771-8982/217-303	771-8982/217-304	1
4 m	771-8982/217-403	771-8982/217-404	1
5 m	771-8982/217-503	771-8982/217-504	1
6 m	771-8982/217-603	771-8982/217-604	1
7 m	771-8982/217-703	771-8982/217-704	1
8 m	771-8982/217-803	771-8982/217-804	1

### Accessories; for all products on this page



Locking lever; for flying leads; manually operated		
Color	Item No.	PU (SPU)
● black	770-101	100 (25)
○ white	770-121	100 (25)



Locking lever; for flying leads; tool operated		
Color	Item No.	PU (SPU)
● black	770-111	100 (25)
○ white	770-131	100 (25)



Mounting carrier; for flying leads; 2- to 5-pole		
Color	Item No.	PU
● black	770-310	25

PU = Packaging Unit; SPU = Subpackaging Unit; Dimensions in mm





## Pluggable Connector ▶ WINSTA® MIDI ▶ 770 Series

Pole No.: 3 ▶ Number of connection points: 2



- Protected against mismatching and maintenance-free
- Push-in CAGE CLAMP® spring pressure connection technology allows solid conductors to be simply pushed into a unit.
- Two wire connections per pole for loops or bridges
- Additional variable coding is possible.

Electrical Data			
Coding	A;B;P;R;S		
Ratings per	IEC/EN 60664-1		
Overvoltage category	III	III	II
Pollution degree	3	2	2
Rated voltage	250 V	-	-
Rated impulse voltage	4 kV	-	-
Rated current	25 A	-	-
Approbations per	UL 1977		
Rated voltage	600 V		
Rated current	23 A		

Connection Data	
Connection technology	Push-in CAGE CLAMP®
Strip length	9 mm / 0.35 inch
Nominal cross-section	4 mm <sup>2</sup>
Solid conductor	0.5 ... 4 mm <sup>2</sup> / 20 ... 12 AWG
Solid conductor; push-in termination	1.5 ... 4 mm <sup>2</sup> / 16 ... 12 AWG
Stranded conductor	0.5 ... 2.5 mm <sup>2</sup> / 20 ... 14 AWG
Fine-stranded conductor	0.5 ... 4 mm <sup>2</sup> / 20 ... 12 AWG
Fine-stranded conductor; with insulated ferrule	0.25 ... 1.5 mm <sup>2</sup> / 20 ... 16 AWG
Fine-stranded conductor; with uninsulated ferrule	0.25 ... 2.5 mm <sup>2</sup> / 20 ... 14 AWG
Fine-stranded conductor; with ferrule; push-in termination	1.5 mm <sup>2</sup> / 16 AWG

Material Data	
Insulation material	Polyamide (PA66)
Clamping spring material	Chrome nickel spring steel (CrNi)
Contact material	Copper or copper alloy (surface-treated)

Mechanical Data	
Number of mating cycles	200, without resistive load
Mating force of a plug-in connection	approx. 20 ... 70 N (depending on pole number)
Unmating force of a plug-in connection	Unlocked: approx. 20 ... 70 N (depending on pole number)
Retention force of a plug-in connection	Locked: > 80 N

Environmental Requirements	
Processing temperature	-5 ... +40 °C
Continuous operating temperature	-35 ... +85 °C
Note on continuous operating temperature	Insulating parts for temperatures ≤ 105 °C

All WINSTA® components are 100% protected against mismatching when:

- plugging different numbers of poles
- plugging while rotated 180
- plugging while laterally staggered
- plugging one pole

Coding	Page 379
Cover	Page 380
Marking	Page 405
Shield termination	Page 383
Strain relief	Page 384
Tool	Page 400
See technical section for further information	
For approvals and corresponding ratings, visit <a href="http://www.wago.com">www.wago.com</a>	

# Pluggable Connector ▶ WINSTA® MIDI ▶ 770 Series

## Pole No.: 3 ▶ Number of connection points: 2

Strain relief house, for quick assembly ▶ Female connector/socket ▶ Strip length (outer insulation): 48 mm ▶ Connectable sheathed cable diameter : 7 ... 11.5 mm

Strain relief house, for quick assembly ▶ Male connector/plug ▶ Strip length (outer insulation): 48 mm ▶ Connectable sheathed cable diameter : 7 ... 11.5 mm



770-203/035-000



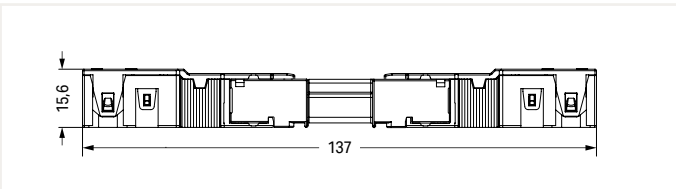
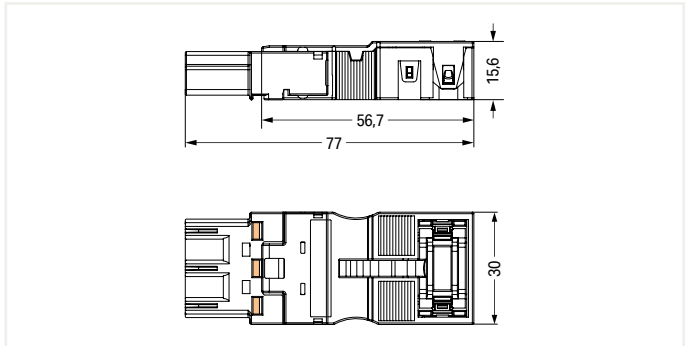
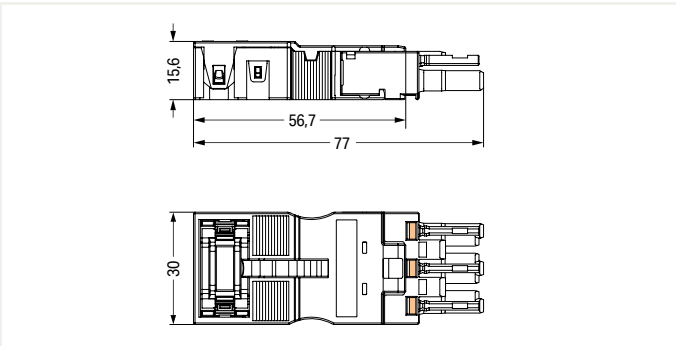
770-213/035-000

### General mains applications

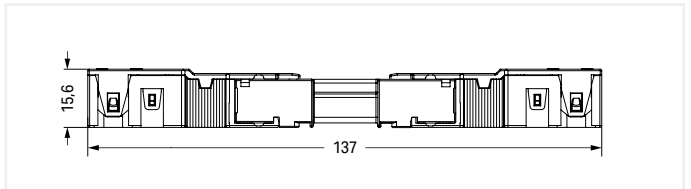
Color	Coding	Marking	Item No.	PU
● black	A	L ⊕ N	770-203/035-000	25
○ white	A	L ⊕ N	770-223/035-050	25

### General mains applications

Color	Coding	Marking	Item No.	PU
● black	A	L ⊕ N	770-213/035-000	25
○ white	A	L ⊕ N	770-233/035-050	25



Overall length when mated



Overall length when mated

### Item-Specific Accessories



Lockout cap; for socket; separable; Pole No.: 12

Color	Item No.	PU
● black	770-201	100
○ white	770-221	100

### Item-Specific Accessories



Lockout cap; for plugs; separable; Pole No.: 5

Color	Item No.	PU
● yellow	770-360	100

### Accessories; for all products on this page



Color	Item No.	PU (SPU)
● black	770-101	100 (25)
○ white	770-121	100 (25)



Color	Item No.	PU (SPU)
● black	770-111	100 (25)
○ white	770-131	100 (25)



Color	Item No.	PU (SPU)
● green	770-383	50 (1)

PU = Packaging Unit; SPU = Subpackaging Unit; Dimensions in mm

## Pluggable Connector ▶ WINSTA® MIDI ▶ 770 Series

### Pole No.: 3 ▶ Number of connection points: 2

Strain relief housing ▶ Female connector/socket ▶ Strip length (outer insulation): 55 mm  
▶ Connectable sheathed cable diameter : 8 ... 11.5 mm ▶ Protection type: IP 2xC

Strain relief housing ▶ Male connector/plug ▶ Strip length (outer insulation): 55 mm ▶  
Connectable sheathed cable diameter : 8 ... 11.5 mm ▶ Protection type: IP20



770-103



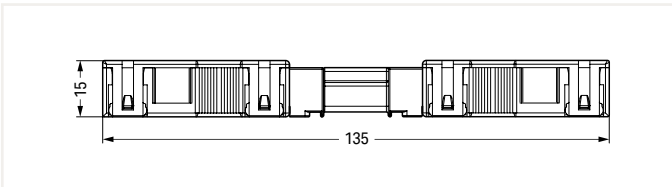
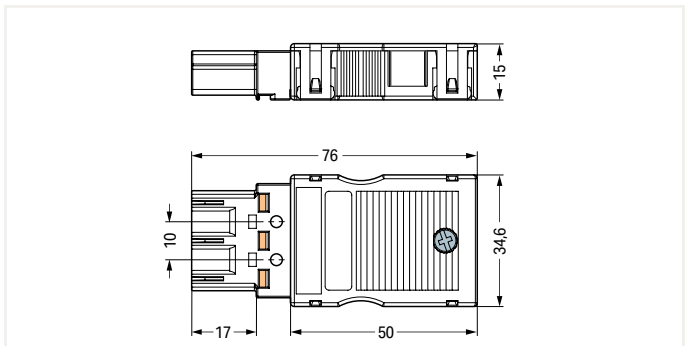
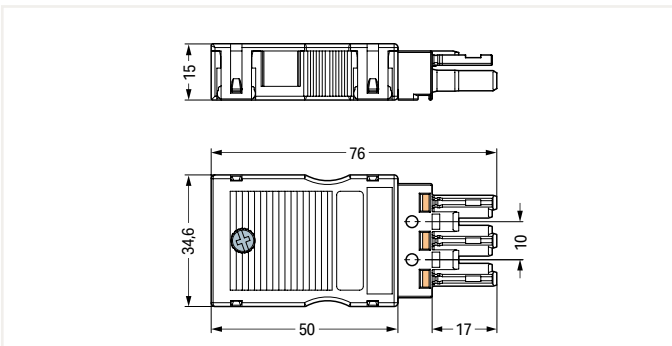
770-113

#### General mains applications

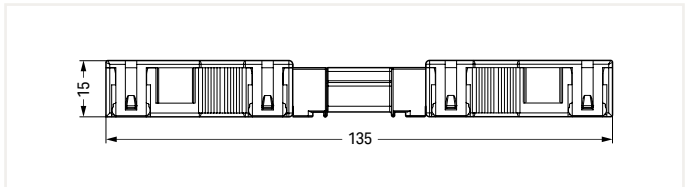
Color	Coding	Marking	Item No.	PU
● black	A	L ⊕ N	770-103	25
○ white	A	L ⊕ N	770-123	25

#### General mains applications

Color	Coding	Marking	Item No.	PU
● black	A	L ⊕ N	770-113	25
○ white	A	L ⊕ N	770-133	25



Overall length when mated



Overall length when mated

#### Item-Specific Accessories



Lockout cap; for socket; separable; Pole No.: 12

Color	Item No.	PU
● black	770-201	100
○ white	770-221	100



Lockout cap; for plugs; separable; Pole No.: 5

Color	Item No.	PU
● yellow	770-360	100

#### Accessories; for all products on this page



Color	Item No.	PU (SPU)
● black	770-101	100 (25)
○ white	770-121	100 (25)



Color	Item No.	PU (SPU)
● black	770-111	100 (25)
○ white	770-131	100 (25)



Color	Item No.	PU (SPU)
● green	770-383	50 (1)

PU = Packaging Unit; SPU = Subpackaging Unit; Dimensions in mm

## Pluggable Connector ▶ WINSTA® MIDI ▶ 770 Series

### Pole No.: 3 ▶ Number of connection points: 2

Female connector/socket ▶ Protection type: IP20



770-203

## General mains applications

Color	Coding	Marking	Item No.	PU
● black	A	L ⊕ N	770-203	100
○ white	A	L ⊕ N	770-223	100

## Measurement and regulation technology

Color	Coding	Marking	Item No.	PU
● gray	B	1 2 3	770-243	100
● gray	B	L ⊕ N	770-243/060-000	100
● gray	B	2 ⊕ 1	770-243/062-000	100
● gray	B	1 2 5	770-243/081-000	100
● light green	B	1 2 3	770-263	100
● light green	B	U+ X/Y U-	770-263/071-000	100
● light green	B	1 ⊕ 2	770-263/073-000	100
● pink	B	1 2 3	770-283	100
● pink	B	1 2 5	770-283/081-000	100
● pink	B	+ S -	770-283/082-000	100

## EDV (UPS)

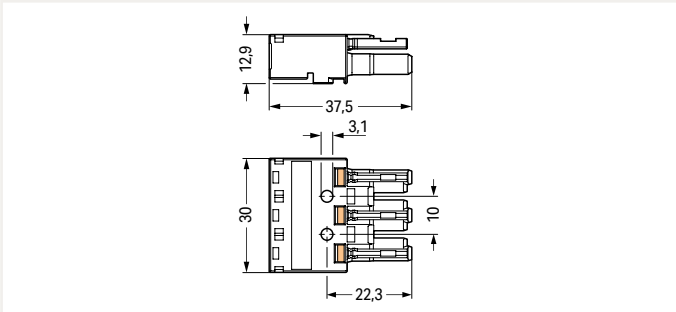
Color	Coding	Marking	Item No.	PU
● red	P	L ⊕ N	770-1303	100

## LON bus

Color	Coding	Marking	Item No.	PU
● orange	R	LON LON S	770-1343	100

## Switching function

Color	Coding	Marking	Item No.	PU
● brown	S	1 2 L	770-1363	100



## Accessories; for all products on this page



Locking lever; for flying leads; manually operated

Color	Item No.	PU (SPU)
● black	770-101	100 (25)
○ white	770-121	100 (25)



Locking lever; for flying leads; tool operated

Color	Item No.	PU (SPU)
● black	770-111	100 (25)
○ white	770-131	100 (25)



Lockout cap; for socket; separable; Pole No.: 12

Color	Item No.	PU
● black	770-201	100
○ white	770-221	100



Operating tool; for WAGO WINSTA® MIDI Connectors; Pole No.: 3

Color	Item No.	PU (SPU)
● green	770-383	50 (1)



Strain relief housing; Connectable sheathed cable diameter: 8 ... 11.5 mm; Strip length (outer insulation): 55 mm

Color	Item No.	PU
● black	770-503	50
○ white	770-513	50



Strain relief housing; Connectable sheathed cable diameter: 4.5 ... 8 mm; Strip length (outer insulation): 55 mm

Color	Item No.	PU
● black	770-503/023-000	50
○ white	770-513/023-000	50

PU = Packaging Unit; SPU = Subpackaging Unit; Dimensions in mm

# Pluggable Connector ▶ WINSTA® MIDI ▶ 770 Series

## Pole No.: 3 ▶ Number of connection points: 2

Male connector/plug ▶ Protection type: IP20



770-213

### General mains applications

Color	Coding	Marking	Item No.	PU
● black	A	L ⊕ N	770-213	100
○ white	A	L ⊕ N	770-233	100

### Measurement and regulation technology

Color	Coding	Marking	Item No.	PU
● gray	B	1 2 3	770-253	100
● gray	B	L ⊕ N	770-253/060-000	100
● gray	B	2 ⊕ 1	770-253/062-000	100
● gray	B	1 2 5	770-253/081-000	100
● light green	B	1 2 3	770-273	100
● light green	B	U+ X/Y U-	770-273/071-000	100
● light green	B	1 ⊕ 2	770-273/073-000	100
● pink	B	1 2 3	770-293	100
● pink	B	1 2 5	770-293/081-000	100
● pink	B	+ S -	770-293/082-000	100

### EDV (UPS)

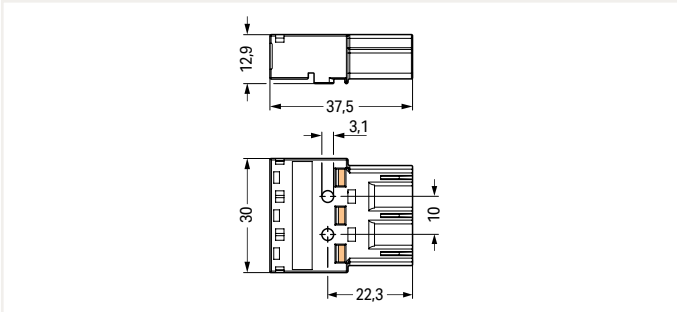
Color	Coding	Marking	Item No.	PU
● red	P	L ⊕ N	770-1313	100

### LON bus

Color	Coding	Marking	Item No.	PU
● orange	R	LON LON S	770-1353	100

### Switching function

Color	Coding	Marking	Item No.	PU
● brown	S	1 2 L	770-1373	100



### Accessories; for all products on this page



Locking lever; for flying leads; manually operated		
Color	Item No.	PU (SPU)
● black	770-101	100 (25)
○ white	770-121	100 (25)



Locking lever; for flying leads; tool operated		
Color	Item No.	PU (SPU)
● black	770-111	100 (25)
○ white	770-131	100 (25)



Lockout cap; for plugs; separable; Pole No.: 5		
Color	Item No.	PU
● yellow	770-360	100



Operating tool; for WAGO WINSTA® MIDI Connectors; Pole No.: 3		
Color	Item No.	PU (SPU)
● green	770-383	50 (1)



Strain relief housing; Connectable sheathed cable diameter: 8 ... 11.5 mm; Strip length (outer insulation): 55 mm		
Color	Item No.	PU
● black	770-503	50
○ white	770-513	50



Strain relief housing; Connectable sheathed cable diameter: 4.5 ... 8 mm; Strip length (outer insulation): 55 mm		
Color	Item No.	PU
● black	770-503/023-000	50
○ white	770-513/023-000	50

PU = Packaging Unit; SPU = Subpackaging Unit; Dimensions in mm

# Pluggable Connector ▶ WINSTA® MIDI ▶ 770 Series

## Pole No.: 3 ▶ Number of connection points: 2

with direct ground contact ▶ Male connector/plug ▶ Protection type: IP20

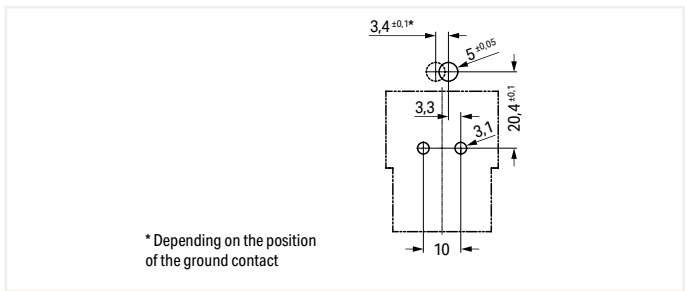
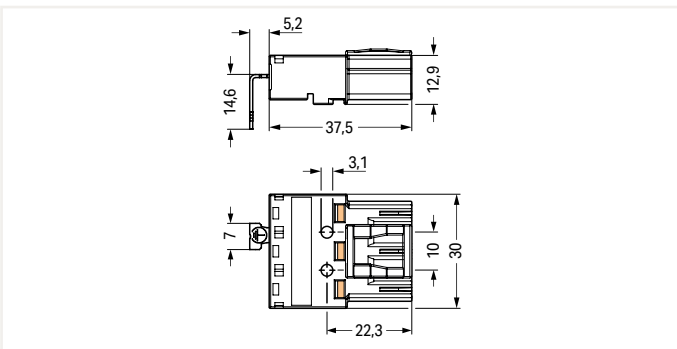


770-213/002-000

2

### General mains applications

Color	Coding	Marking	Item No.	PU
● black	A	L ⊕ N	770-213/002-000	100
○ white	A	L ⊕ N	770-233/002-000	100



### Accessories; for all products on this page



Locking lever; for flying leads; manually operated			
Color	Item No.	PU (SPU)	
● black	770-101	100 (25)	
○ white	770-121	100 (25)	



Locking lever; for flying leads; tool operated			
Color	Item No.	PU (SPU)	
● black	770-111	100 (25)	
○ white	770-131	100 (25)	

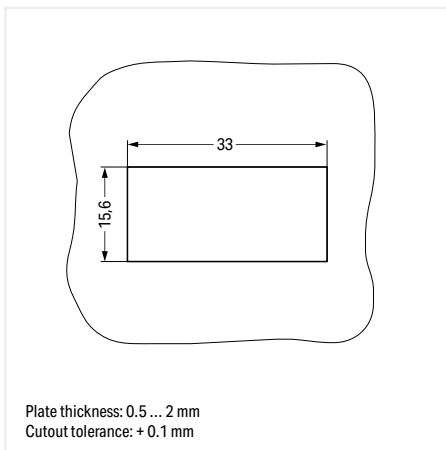


Lockout cap; for plugs; separable; Pole No.: 5			
Color	Item No.	PU	
● yellow	770-360	100	

PU = Packaging Unit; SPU = Subpackaging Unit; Dimensions in mm

**Snap-in Device Connector ▶ WINSTA® MIDI ▶ 770 Series****Pole No.: 3 ▶ Number of connection points: 2 ▶ Protection type: IP20**

- Protected against mismatching and maintenance-free
- Push-in CAGE CLAMP® spring pressure connection technology allows solid conductors to be simply pushed into a unit.
- Two wire connections per pole for loops or bridges
- Additional variable coding is possible.



Electrical Data			
Coding	A;B;P;R;S		
Ratings per	IEC/EN 60664-1		
Overvoltage category	III	III	II
Pollution degree	3	2	2
Rated voltage	250 V	-	-
Rated impulse voltage	4 kV	-	-
Rated current	25 A	-	-
Approbations per	UL 1977		
Rated voltage	600 V		
Rated current	23 A		

Connection Data	
Connection technology	Push-in CAGE CLAMP®
Strip length	9 mm / 0.35 inch
Nominal cross-section	4 mm <sup>2</sup>
Solid conductor	0.5 ... 4 mm <sup>2</sup> / 20 ... 12 AWG
Solid conductor; push-in termination	1.5 ... 4 mm <sup>2</sup> / 16 ... 12 AWG
Stranded conductor	0.5 ... 2.5 mm <sup>2</sup> / 20 ... 14 AWG
Fine-stranded conductor	0.5 ... 4 mm <sup>2</sup> / 20 ... 12 AWG
Fine-stranded conductor; with insulated ferrule	0.25 ... 1.5 mm <sup>2</sup> / 20 ... 16 AWG
Fine-stranded conductor; with uninsulated ferrule	0.25 ... 2.5 mm <sup>2</sup> / 20 ... 14 AWG
Fine-stranded conductor; with ferrule; push-in termination	1.5 mm <sup>2</sup> / 16 AWG

Material Data	
Insulation material	Polyamide (PA66)
Clamping spring material	Chrome nickel spring steel (CrNi)
Contact material	Copper or copper alloy (surface-treated)

Mechanical Data	
Number of mating cycles	200, without resistive load
Mating force of a plug-in connection	approx. 20 ... 70 N (depending on pole number)
Unmating force of a plug-in connection	Unlocked: approx. 20 ... 70 N (depending on pole number)
Retention force of a plug-in connection	Locked: > 80 N
Protection type	IP20
Note on protection type	When mated: IP2xC (These compact connectors are not designed for use in open, easily accessible areas!)

Environmental Requirements	
Processing temperature	-5 ... +40 °C
Continuous operating temperature	-35 ... +85 °C
Note on continuous operating temperature	Insulating parts for temperatures ≤ 105 °C

All WINSTA® components are 100% protected against mismatching when:

- plugging different numbers of poles
- plugging while rotated 180
- plugging while laterally staggered
- plugging one pole

Coding Page 379

Locking system Page 379

Tool Page 400

See technical section for further information

For approvals and corresponding ratings, visit [www.wago.com](http://www.wago.com)

## Snap-in Device Connector ▶ WINSTA® MIDI ▶ 770 Series

Pole No.: 3 ▶ Number of connection points: 2 ▶ Protection type: IP20

Female connector/socket



770-703

## General mains applications

Color	Coding	Marking	Item No.	PU
● black	A	L ⊕ N	770-703	100
○ white	A	L ⊕ N	770-723	100

## Switching function

Color	Coding	Marking	Item No.	PU
● brown	S	1 2 L	770-2363	100

## Measurement and regulation technology

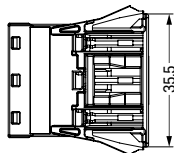
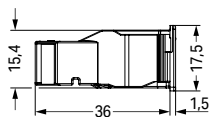
Color	Coding	Marking	Item No.	PU
● gray	B	1 2 3	770-743	100
● gray	B	L ⊕ N	770-743/060-000	100
● gray	B	2 ⊕ 1	770-743/062-000	100
● light green	B	1 2 3	770-763	100
● light green	B	U+ X/Y U-	770-763/071-000	100
● light green	B	1 ⊕ 2	770-763/073-000	100
● pink	B	I+ I-	770-783/081-000	100
● pink	B	1 2 3	770-783	100
● pink	B	+ S -	770-783/082-000	100

## EDV (UPS)

Color	Coding	Marking	Item No.	PU
● red	P	L ⊕ N	770-2303	100

## LON bus

Color	Coding	Marking	Item No.	PU
● orange	R	LON LON S	770-2343	100



## Accessories; for all products on this page



Lockout cap; for socket; separable; Pole No.: 12

Color	Item No.	PU
● black	770-201	100
○ white	770-221	100



Operating tool; for WAGO WINSTA® MIDI Connectors; Pole No.: 3

Color	Item No.	PU (SPU)
● green	770-383	50 (1)



Lockout cap; for cutout; Pole No.: 3

Color	Item No.	PU
● black	770-643	100
○ white	770-693	100

PU = Packaging Unit; SPU = Subpackaging Unit; Dimensions in mm



# Snap-in Device Connector ▶ WINSTA® MIDI ▶ 770 Series

Pole No.: 3 ▶ Number of connection points: 2 ▶ Protection type: IP20

Male connector/plug



770-713

### General mains applications

Color	Coding	Marking	Item No.	PU
● black	A	L ⊕ N	770-713	100
○ white	A	L ⊕ N	770-733	100

### Measurement and regulation technology

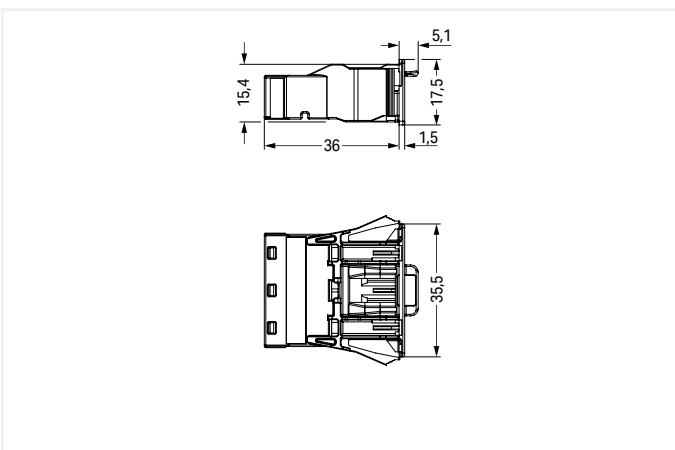
Color	Coding	Marking	Item No.	PU
● gray	B	1 2 3	770-753	100
● gray	B	L ⊕ N	770-753/060-000	100
● gray	B	2 ⊕ 1	770-753/062-000	100
● light green	B	1 2 3	770-773	100
● light green	B	U+ X/Y U-	770-773/071-000	100
● light green	B	1 ⊕ 2	770-773/073-000	100
● pink	B	I+ I-	770-793/081-000	100
● pink	B	1 2 3	770-793	100
● pink	B	+ S -	770-793/082-000	100

### EDV (UPS)

Color	Coding	Marking	Item No.	PU
● red	P	L ⊕ N	770-2313	100

### LON bus

Color	Coding	Marking	Item No.	PU
● orange	R	LON LON S	770-2353	100



### Accessories; for all products on this page



Lockout cap; for plugs; separable; Pole No.: 5			
Color	Item No.	PU	
● yellow	770-360	100	



Operating tool; for WAGO WINSTA® MIDI Connectors; Pole No.: 3			
Color	Item No.	PU (SPU)	
● green	770-383	50(1)	



Lockout cap; for cutout; Pole No.: 3			
Color	Item No.	PU	
● black	770-643	100	
○ white	770-693	100	

PU = Packaging Unit; SPU = Subpackaging Unit; Dimensions in mm

# Snap-in Device Connector ▶ WINSTA® MIDI ▶ 770 Series

Pole No.: 3 ▶ Number of connection points: 2 ▶ Protection type: IP20

with protruding interface ▶ Female connector/socket

with direct ground contact ▶ Male connector/plug



770-703/009-000



770-713/007-000

General mains applications

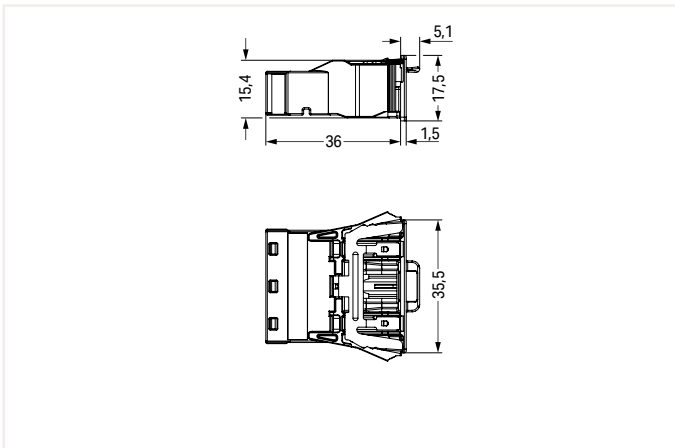
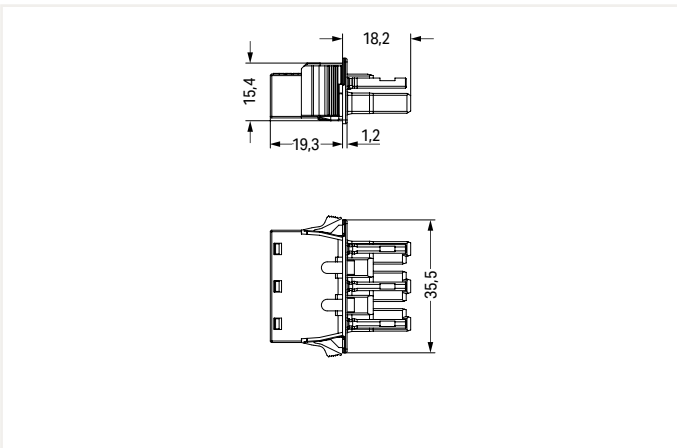
Color	Coding	Marking	Item No.	PU
● black	A	L ⊕ N	770-703/009-000	100
○ white	A	L ⊕ N	770-723/009-000	100

General mains applications

Color	Coding	Marking	Item No.	PU
● black	A	L ⊕ N	770-713/007-000	100
○ white	A	L ⊕ N	770-733/007-000	100

EDV (UPS)

Color	Coding	Marking	Item No.	PU
● red	P	L ⊕ N	770-2313/007-000	100



Item-Specific Accessories



Lockout cap; for socket; separable; Pole No.: 12

Color	Item No.	PU
● black	770-201	100
○ white	770-221	100

Item-Specific Accessories



Lockout cap; for plugs; separable; Pole No.: 5

Color	Item No.	PU
● yellow	770-360	100

Accessories; for all products on this page



Operating tool; for WAGO WINSTA® MIDI Connectors; Pole No.: 3

Color	Item No.	PU (SPU)
● green	770-383	50 (1)



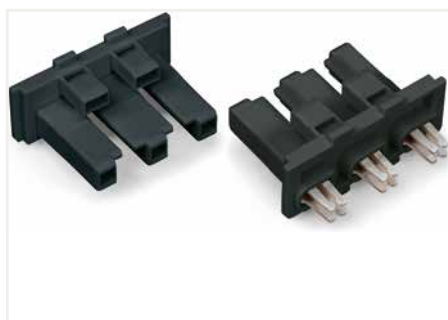
Lockout cap; for cutout; Pole No.: 3

Color	Item No.	PU
● black	770-643	100
○ white	770-693	100

PU = Packaging Unit; SPU = Subpackaging Unit; Dimensions in mm

## Pluggable Connector ▶ WINSTA® MIDI ▶ 770 Series

Pole No.: 3 ▶ Protection type: IP20



- Protected against mismatching and maintenance-free
- Push-in CAGE CLAMP® spring pressure connection technology allows solid conductors to be simply pushed into a unit.
- Two wire connections per pole for loops or bridges
- Additional variable coding is possible.

Electrical Data			
Coding	A		
Ratings per	IEC/EN 60664-1		
Overvoltage category	III	III	II
Pollution degree	3	2	2
Rated voltage	250 V	-	-
Rated impulse voltage	4 kV	-	-
Rated current	25 A	-	-
Approbations per	UL 1977		
Rated voltage	600 V		
Rated current	23 A		

Material Data	
Insulation material	Polyamide (PA66)
Clamping spring material	Chrome nickel spring steel (CrNi)
Contact material	Copper or copper alloy (surface-treated)

Mechanical Data	
Number of mating cycles	200, without resistive load
Mating force of a plug-in connection	approx. 20 ... 70 N (depending on pole number)
Unmating force of a plug-in connection	Unlocked: approx. 20 ... 70 N (depending on pole number)
Retention force of a plug-in connection	Locked: > 80 N
Protection type	IP20

Environmental Requirements	
Processing temperature	-5 ... +40 °C
Continuous operating temperature	-35 ... +85 °C
Note on continuous operating temperature	Insulating parts for temperatures ≤ 105 °C

All WINSTA® components are 100% protected against mismatching when:

- a.) plugging different numbers of poles
- b.) plugging while rotated 180
- c.) plugging while laterally staggered
- d.) plugging one pole

Application note for the U.S. market (USR): Some versions may also be used for current interruption in accordance with the UL certificate in select applications with currents below 16 A and voltages up to 600 V. For further information, please contact your local sales office.

See technical section for further information

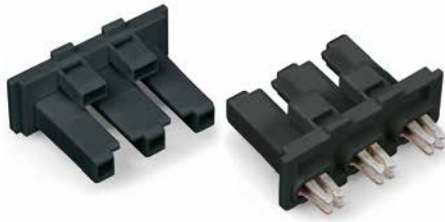
For approvals and corresponding ratings, visit [www.wago.com](http://www.wago.com)

# Pluggable Connector ▶ WINSTA® MIDI ▶ 770 Series

## Pole No.: 3 ▶ Protection type: IP20

Female connector/socket

Male connector/plug



770-408



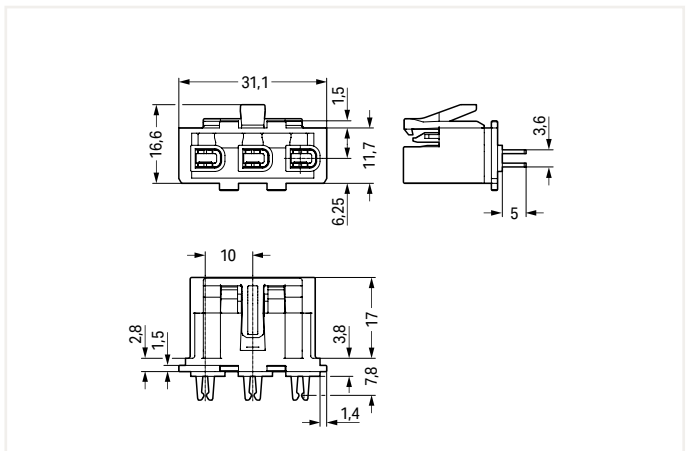
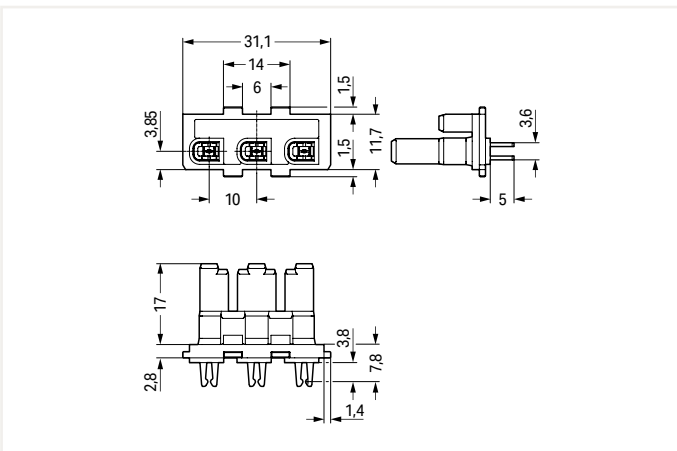
770-418

General mains applications

Color	Coding	Marking	Item No.	PU
● black	A	plain	770-408	100
○ white	A	plain	770-428	100

General mains applications

Color	Coding	Marking	Item No.	PU
● black	A	plain	770-418	100
○ white	A	plain	770-438	100



Item-Specific Accessories



Lockout cap; for socket; separable; Pole No.: 12

Color	Item No.	PU
● black	770-201	100
○ white	770-221	100

Item-Specific Accessories



Lockout cap; for plugs; separable; Pole No.: 5

Color	Item No.	PU
● yellow	770-360	100

PU = Packaging Unit; SPU = Subpackaging Unit; Dimensions in mm

## Pluggable PCB Connector ▶ WINSTA® MIDI ▶ 770 Series

Pole No.: 3



- Protected against mismatching and maintenance-free
- Push-in CAGE CLAMP® spring pressure connection technology allows solid conductors to be simply pushed into a unit.
- Two wire connections per pole for loops or bridges
- Additional variable coding is possible.

Electrical Data			
Coding	A;B		
Ratings per	IEC/EN 60664-1		
Overvoltage category	III	III	II
Pollution degree	3	2	2
Rated voltage	250 V	-	-
Rated impulse voltage	4 kV	-	-
Rated current	25 A	-	-
Approbations per	UL 1977		
Rated voltage	600 V		
Rated current	23 A		

Material Data	
Insulation material	Polyamide (PA66)
Clamping spring material	Chrome nickel spring steel (CrNi)
Contact material	Copper or copper alloy (surface-treated)

Mechanical Data	
Solder pin arrangement	2 in-line solder pins/pole
Solder pin length	3.5 mm
Solder pin dimensions	1 x 0.8 mm
Drilled hole diameter with tolerance	1.5 <sup>(+0.1...+0.1)</sup> mm
Number of mating cycles	200, without resistive load
Mating force of a plug-in connection	approx. 20 ... 70 N (depending on pole number)
Unmating force of a plug-in connection	Unlocked: approx. 20 ... 70 N (depending on pole number)
Retention force of a plug-in connection	Locked: > 80 N

Environmental Requirements	
Processing temperature	-5 ... +40 °C
Continuous operating temperature	-35 ... +85 °C
Note on continuous operating temperature	Insulating parts for temperatures ≤ 105 °C

All WINSTA® components are 100% protected against mismatching when:

- plugging different numbers of poles
- plugging while rotated 180
- plugging while laterally staggered
- plugging one pole

Coding Page 379

See technical section for further information

For approvals and corresponding ratings, visit [www.wago.com](http://www.wago.com)

# Pluggable PCB Connector ▶ WINSTA® MIDI ▶ 770 Series

## Pole No.: 3

straight ▶ Female connector/socket



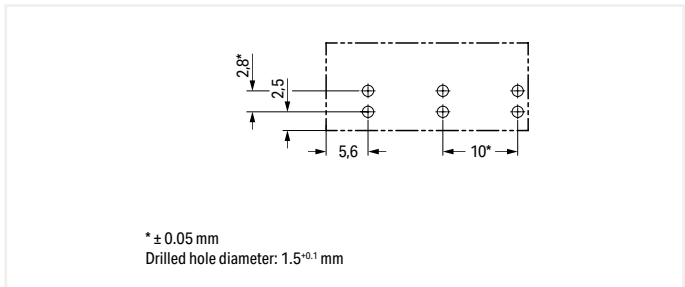
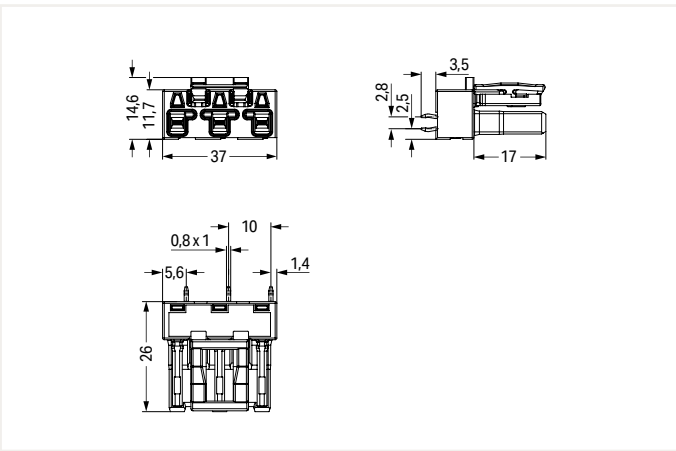
770-803

### General mains applications

Color	Coding	Marking	Item No.	PU
● black	A	L ⊕ N	770-803	100
○ white	A	L ⊕ N	770-823	100

### Measurement and regulation technology

Color	Coding	Marking	Item No.	PU
● gray	B	1 2 3	770-843	100
● gray	B	L ⊕ N	770-843/060-000	100
● gray	B	2 ⊕ 1	770-843/062-000	100
● light green	B	1 2 3	770-863	100
● light green	B	U+ X/Y U-	770-863/071-000	100
● light green	B	1 ⊕ 2	770-863/073-000	100
● pink	B	1 2 3	770-883	100
● pink	B	1 2 5	770-883/081-000	100
● pink	B	+ S -	770-883/082-000	100



### Accessories; for all products on this page



Lockout cap; for socket; separable; Pole No.: 12

Color	Item No.	PU
● black	770-201	100
○ white	770-221	100

PU = Packaging Unit; SPU = Subpackaging Unit; Dimensions in mm

# Pluggable PCB Connector ▶ WINSTA® MIDI ▶ 770 Series

## Pole No.: 3

straight ▶ Male connector/plug



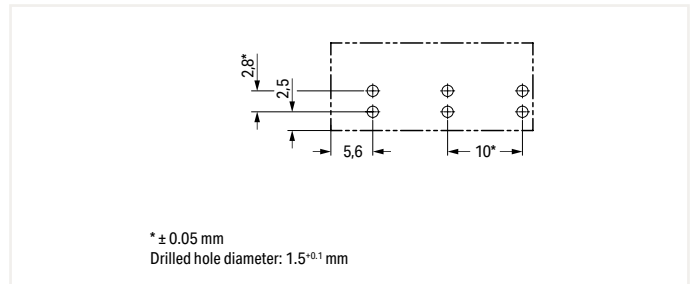
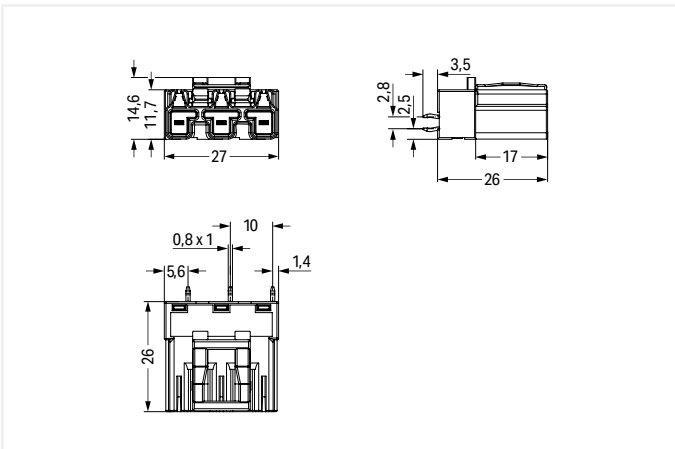
770-813

### General mains applications

Color	Coding	Marking	Item No.	PU
● black	A	L ⊕ N	770-813	100
○ white	A	L ⊕ N	770-833	100

### Measurement and regulation technology

Color	Coding	Marking	Item No.	PU
● gray	B	1 2 3	770-853	100
● gray	B	L ⊕ N	770-853/060-000	100
● gray	B	2 ⊕ 1	770-853/062-000	100
● light green	B	1 2 3	770-873	100
● light green	B	U+ X/Y U-	770-873/071-000	100
● light green	B	1 ⊕ 2	770-873/073-000	100
● pink	B	1 2 3	770-893	100
● pink	B	1 2 5	770-893/081-000	100
● pink	B	+ S -	770-893/082-000	100



### Accessories; for all products on this page



Lockout cap; for plugs; separable; Pole No.: 5

Color	Item No.	PU
● yellow	770-360	100

PU = Packaging Unit; SPU = Subpackaging Unit; Dimensions in mm

## Pluggable PCB Connector ▶ WINSTA® MIDI ▶ 770 Series

### Pole No.: 3

angled ▶ Female connector/socket



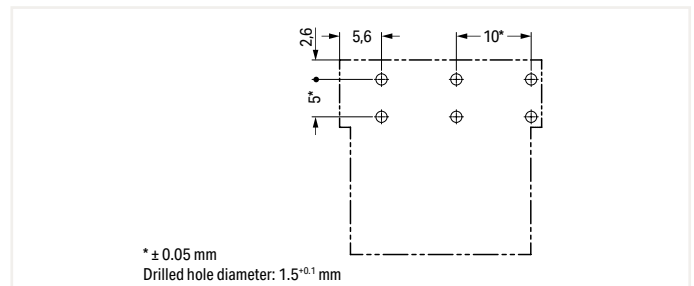
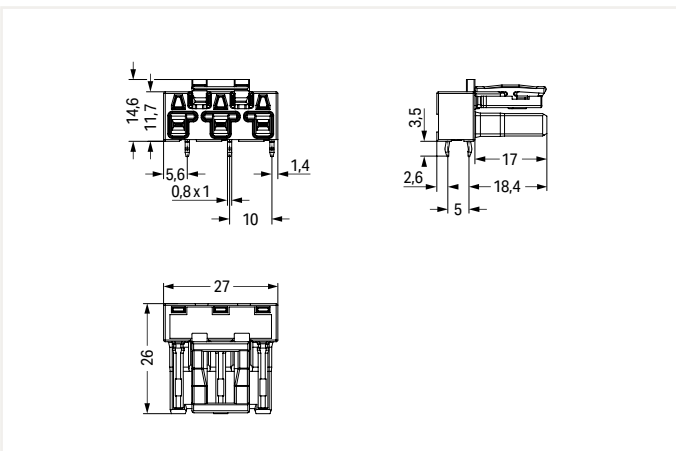
770-803/011-000

#### General mains applications

Color	Coding	Marking	Item No.	PU
● black	A	L ⊕ N	770-803/011-000	100
○ white	A	L ⊕ N	770-823/011-000	100

#### Measurement and regulation technology

Color	Coding	Marking	Item No.	PU
● gray	B	1 2 3	770-843/011-000	100
● gray	B	L ⊕ N	770-843/011-000/060-000	100
● gray	B	2 ⊕ 1	770-843/011-000/062-000	100
● light green	B	1 2 3	770-863/011-000	100
● light green	B	U+ X/Y U-	770-863/011-000/071-000	100
● light green	B	1 ⊕ 2	770-863/011-000/073-000	100
● pink	B	1 2 3	770-883/011-000	100
● pink	B	1 2 5	770-883/011-000/081-000	100
● pink	B	+ S -	770-883/011-000/082-000	100



Accessories; for all products on this page



Lockout cap; for socket; separable; Pole No.: 12

Color	Item No.	PU
● black	770-201	100
○ white	770-221	100

PU = Packaging Unit; SPU = Subpackaging Unit; Dimensions in mm



# Pluggable PCB Connector ▶ WINSTA® MIDI ▶ 770 Series

Pole No.: 3

angled ▶ Male connector/plug



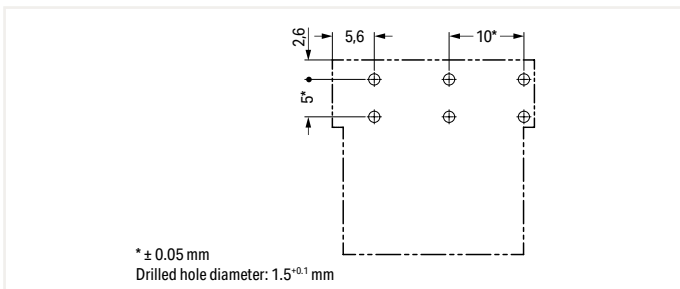
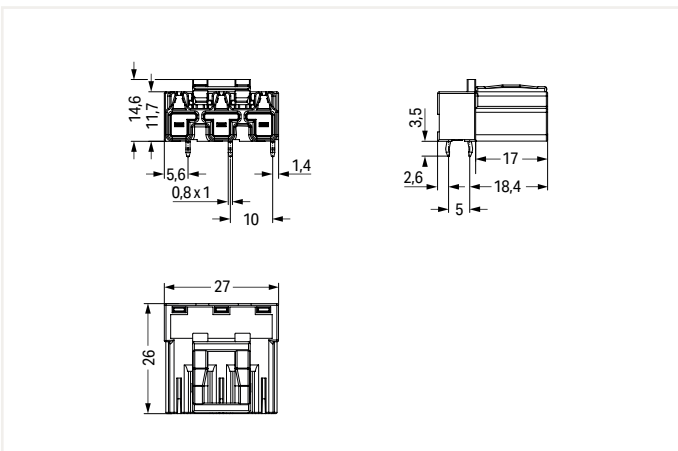
770-813/011-000

### General mains applications

Color	Coding	Marking	Item No.	PU
● black	A	L ⊕ N	770-813/011-000	100
○ white	A	L ⊕ N	770-833/011-000	100

### Measurement and regulation technology

Color	Coding	Marking	Item No.	PU
● gray	B	1 2 3	770-853/011-000	100
● gray	B	L ⊕ N	770-853/011-000/060-000	100
● gray	B	2 ⊕ 1	770-853/011-000/062-000	100
● light green	B	1 2 3	770-873/011-000	100
● light green	B	U+ X/Y U-	770-873/011-000/071-000	100
● light green	B	1 ⊕ 2	770-873/011-000/073-000	100
● pink	B	1 2 3	770-893/011-000	100
● pink	B	1 2 5	770-893/011-000/081-000	100
● pink	B	+ S -	770-893/011-000/082-000	100



### Accessories; for all products on this page



Lockout cap; for plugs; separable; Pole No.: 5

Color	Item No.	PU
● yellow	770-360	100

PU = Packaging Unit; SPU = Subpackaging Unit; Dimensions in mm



## Distribution Connector ▶ WINSTA® MIDI ▶ 770 Series

Pole No.: 3



- Protected against mismatching and maintenance-free
- Additional variable coding is possible.

Electrical Data			
Coding	A;B;P;R		
Ratings per	IEC/EN 60664-1		
Overvoltage category	III	III	II
Pollution degree	3	2	2
Rated voltage	250 V	-	-
Rated impulse voltage	4 kV	-	-
Rated current	25 A	-	-
Approbations per	UL 1977		
Rated voltage	600 V		
Rated current	23 A		

Material Data	
Insulation material	Polyamide (PA66)
Contact material	Copper or copper alloy (surface-treated)

Mechanical Data	
Number of mating cycles	200, without resistive load
Mating force of a plug-in connection	Approx. 20 ... 70 N (depending on pole number)
Unmating force of a plug-in connection	Unlocked: approx. 20 ... 70 N (depending on pole number)
Retention force of a plug-in connection	When locked: > 80 N
Protection type	IP20
Note on protection type	When mated: IP2xC (These compact connectors are not designed for use in open, easily accessible areas!)

Environmental Requirements	
Processing temperature	-5 ... +40 °C
Continuous operating temperature	-35 ... +85 °C
Note on continuous operating temperature	Insulating parts for temperatures ≤ 105 °C

All WINSTA® components are 100% protected against mismatching when:

- plugging different numbers of poles
- plugging while rotated 180
- plugging while laterally staggered
- plugging one pole

At least one snap-in connector **without** a locking lever is required on one side when connecting two lights directly via intermediate coupler.

Coding Page 379

See technical section for further information

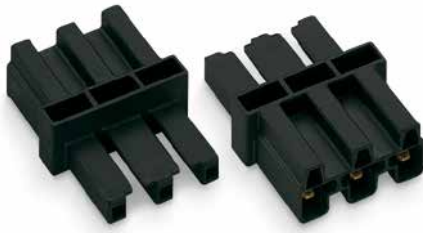
For approvals and corresponding ratings, visit [www.wago.com](http://www.wago.com)

# Distribution Connector ▶ WINSTA® MIDI ▶ 770 Series

## Pole No.: 3

Intermediate coupler

Linect® T-connector



770-603



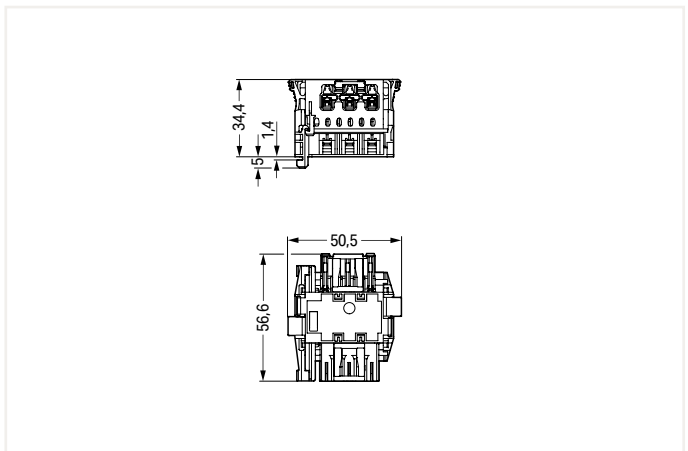
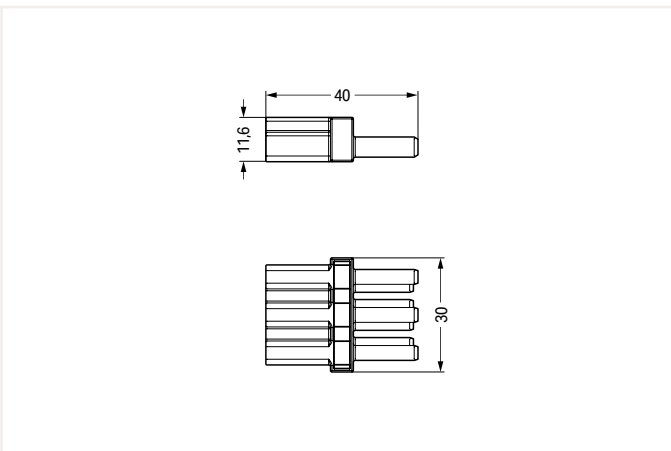
770-6223

General mains applications

Color	Coding	Marking	Item No.	PU
● black	A	plain	770-603	100
○ white	A	plain	770-653	100

General mains applications

Cover Color	Coding	Marking	Item No.	PU
○ white	A	L ⊕ N	770-6223	25



Accessories; for all products on this page



Lockout cap; for socket; separable; Pole No.: 12			
Color	Item No.	PU	
● black	770-201	100	
○ white	770-221	100	



Lockout cap; for plugs; separable; Pole No.: 5			
Color	Item No.	PU	
● yellow	770-360	100	

PU = Packaging Unit; SPU = Subpackaging Unit; Dimensions in mm

# Distribution Connector ▶ WINSTA® MIDI ▶ 770 Series

## Pole No.: 3

T-distribution connector ▶ Number of locking levers: 2

T-distribution connector ▶ for flying leads ▶ Number of locking levers: 3



770-606



770-606

### General mains applications

Color	Coding	Marking	Item No.	PU
● black	A	L ⊕ N	770-606	50
○ white	A	L ⊕ N	770-656	50

### Measurement and regulation technology

Color	Coding	Marking	Item No.	PU
● gray	B	1 2 3	770-967	50
● light green	B	1 2 3	770-1612	50
● pink	B	1 2 3	770-1613	50

### LON bus

Color	Coding	Marking	Item No.	PU
● orange	R	LON LON S	770-667	50

### General mains applications

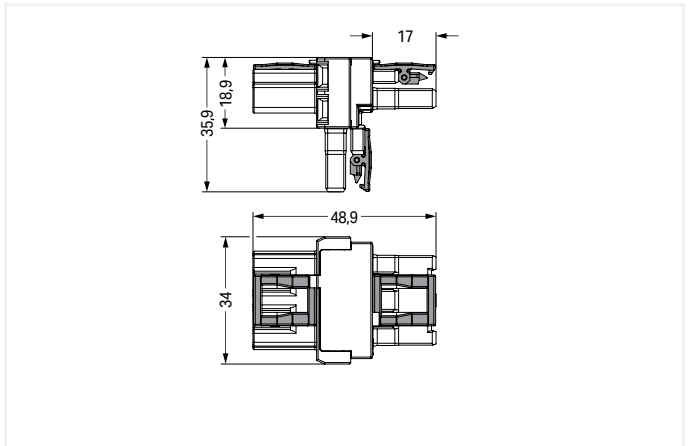
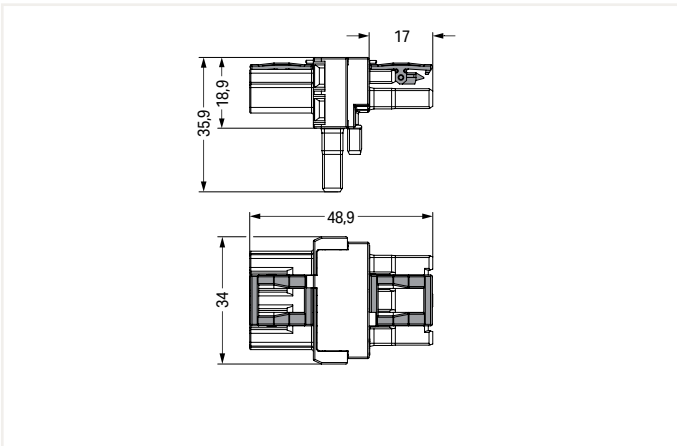
Color	Coding	Marking	Item No.	PU
● black	A	L ⊕ N	770-615	50
○ white	A	L ⊕ N	770-665	50

### Measurement and regulation technology

Color	Coding	Marking	Item No.	PU
● gray	B	1 2 3	770-970	50
● light green	B	1 2 3	770-1712	50
● pink	B	1 2 3	770-1713	50

### LON bus

Color	Coding	Marking	Item No.	PU
● orange	R	LON LON S	770-670	50



### Accessories; for all products on this page



Lockout cap; for socket; separable; Pole No.: 12			
Color	Item No.	PU	
● black	770-201	100	
○ white	770-221	100	



Lockout cap; for plugs; separable; Pole No.: 5			
Color	Item No.	PU	
● yellow	770-360	100	

PU = Packaging Unit; SPU = Subpackaging Unit; Dimensions in mm

# Distribution Connector ▶ WINSTA® MIDI ▶ 770 Series

## Pole No.: 3

h-distribution connector (bi-directional) ▶ Number of locking levers: 2

h-distribution connector (bi-directional) ▶ for flying leads ▶ Number of locking levers: 3



770-633



770-633

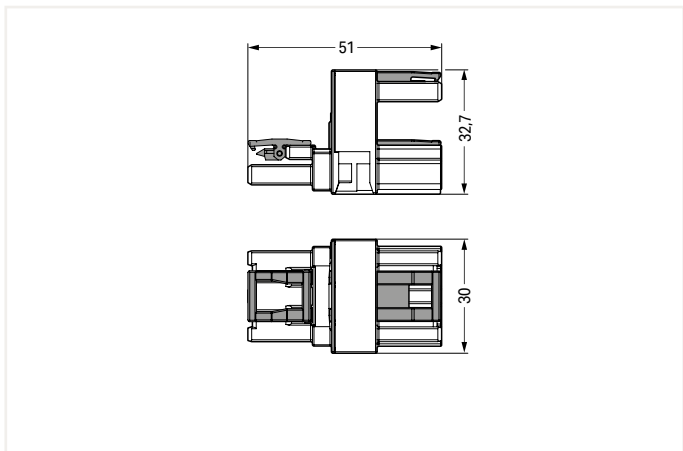
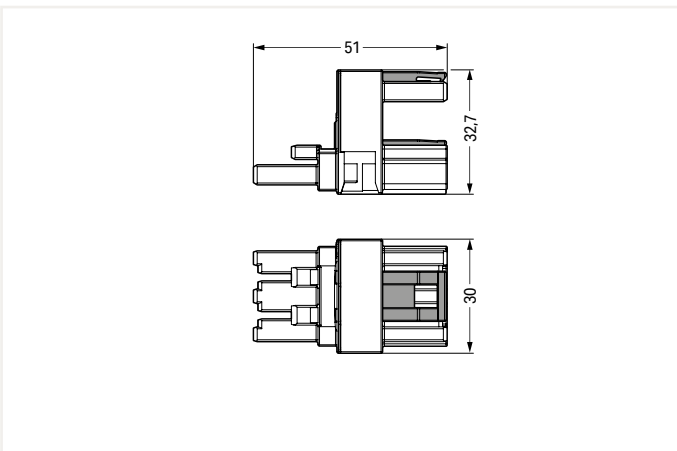
2

**General mains applications**

Color	Coding	Marking	Item No.	PU
● black	A	L ⊕ N	770-633	50
○ white	A	L ⊕ N	770-683	50

**General mains applications**

Color	Coding	Marking	Item No.	PU
● black	A	L ⊕ N	770-635	50
○ white	A	L ⊕ N	770-685	50



**Accessories; for all products on this page**



Lockout cap; for socket; separable; Pole No.: 12		
Color	Item No.	PU
● black	770-201	100
○ white	770-221	100



Lockout cap; for plugs; separable; Pole No.: 5		
Color	Item No.	PU
● yellow	770-360	100



Mounting plate; for distribution connectors (except T-distribution connectors); 3-pole		
Color	Item No.	PU
● black	770-623	25
○ white	770-673	25

PU = Packaging Unit; SPU = Subpackaging Unit; Dimensions in mm

# Distribution Connector ▶ WINSTA® MIDI ▶ 770 Series

## Pole No.: 3

h-distribution connector (unidirectional) ▶ Number of locking levers: 2

h-distribution connector (unidirectional) ▶ for flying leads ▶ Number of locking levers: 3



770-634



770-634

**General mains applications**

Color	Coding	Marking	Item No.	PU
● black	A	L ⊕ N	770-634	50
○ white	A	L ⊕ N	770-684	50

**General mains applications**

Color	Coding	Marking	Item No.	PU
● black	A	L ⊕ N	770-636	50
○ white	A	L ⊕ N	770-686	50

**Measurement and regulation technology**

Color	Coding	Marking	Item No.	PU
● gray	B	1 2 3	770-1661	50
● light green	B	1 2 3	770-1662	50
● pink	B	1 2 3	770-1663	50

**Measurement and regulation technology**

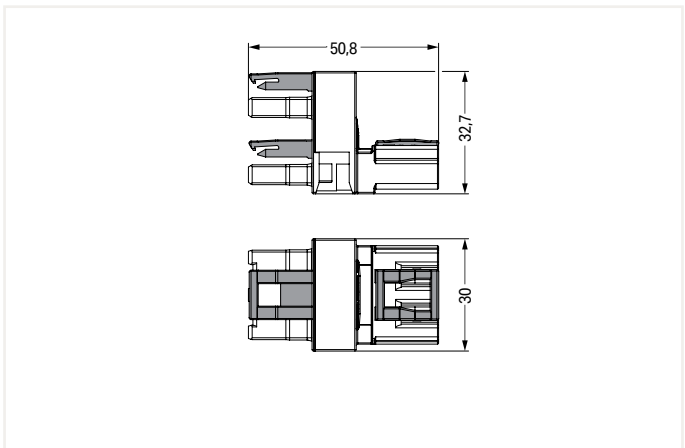
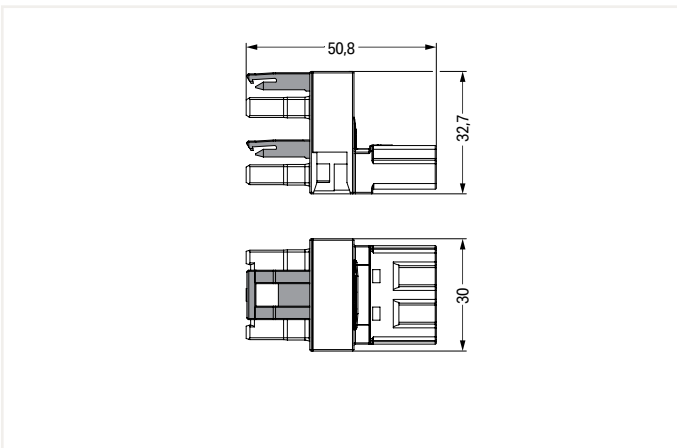
Color	Coding	Marking	Item No.	PU
● gray	B	1 2 3	770-1761	50
● light green	B	1 2 3	770-1762	50
● pink	B	1 2 3	770-1763	50

**EDV (UPS)**

Color	Coding	Marking	Item No.	PU
● red	P	L ⊕ N	770-934	50

**EDV (UPS)**

Color	Coding	Marking	Item No.	PU
● red	P	L ⊕ N	770-936	50



**Accessories; for all products on this page**



Lockout cap; for socket; separable; Pole No.: 12		
Color	Item No.	PU
● black	770-201	100
○ white	770-221	100



Lockout cap; for plugs; separable; Pole No.: 5		
Color	Item No.	PU
● yellow	770-360	100



Mounting plate; for distribution connectors (except T-distribution connectors); 3-pole		
Color	Item No.	PU
● black	770-623	25
○ white	770-673	25

PU = Packaging Unit; SPU = Subpackaging Unit; Dimensions in mm

# Distribution Connector ▶ WINSTA® MIDI ▶ 770 Series

## Pole No.: 3

Distribution connector, 3-way,

Distribution connector (5-way)



770-607



770-608

**General mains applications**

Color	Coding	Marking	Item No.	PU
● black	A	L ⊕ N	770-607	50
○ white	A	L ⊕ N	770-657	50

**Measurement and regulation technology**

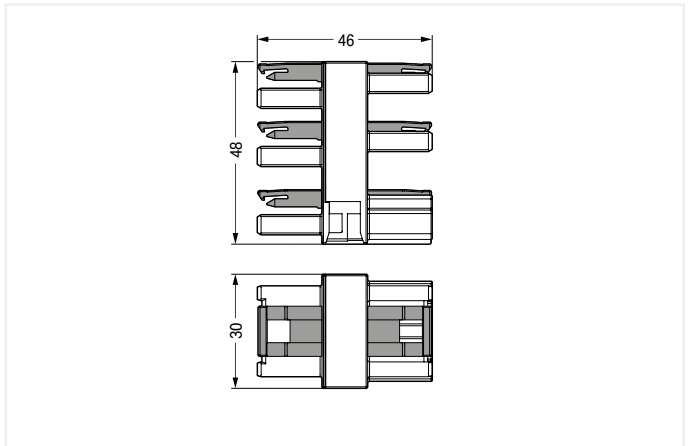
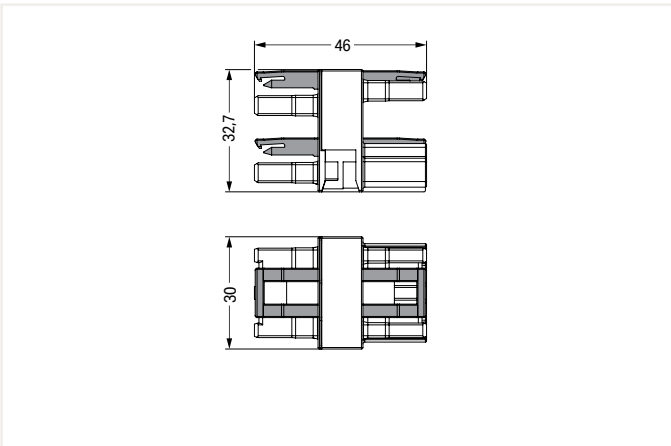
Color	Coding	Marking	Item No.	PU
● gray	B	1 2 3	770-1714	50
● light green	B	1 2 3	770-1715	50
● pink	B	1 2 3	770-1716	50

**EDV (UPS)**

Color	Coding	Marking	Item No.	PU
● red	P	L ⊕ N	770-907	50

**General mains applications**

Color	Coding	Marking	Item No.	PU
● black	A	L ⊕ N	770-608	25
○ white	A	L ⊕ N	770-658	25



**Accessories; for all products on this page**



Lockout cap; for socket; separable; Pole No.: 12		
Color	Item No.	PU
● black	770-201	100
○ white	770-221	100



Lockout cap; for plugs; separable; Pole No.: 5		
Color	Item No.	PU
● yellow	770-360	100



Mounting plate; for distribution connectors (except T-distribution connectors); 3-pole		
Color	Item No.	PU
● black	770-623	25
○ white	770-673	25

PU = Packaging Unit; SPU = Subpackaging Unit; Dimensions in mm



# Distribution Connector ▶ WINSTA® MIDI ▶ 770 Series

## Pole No.: 3

Distribution connector for single-pole switch or series circuits ▶ for single-pole switch and series circuits

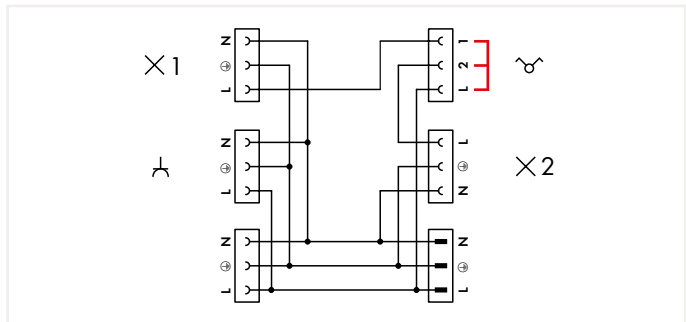
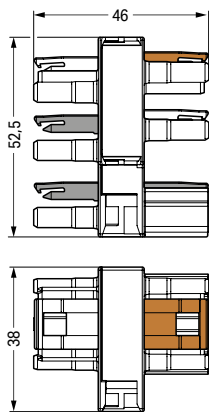
2



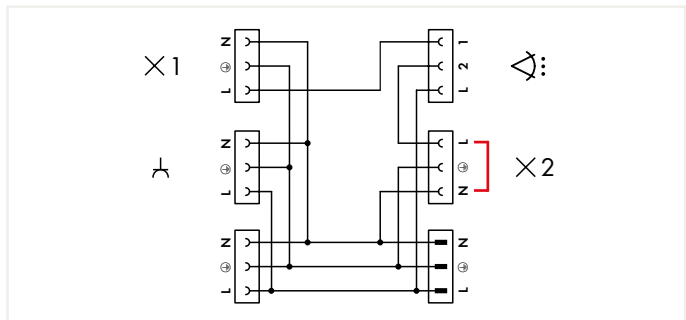
770-637

### General mains applications

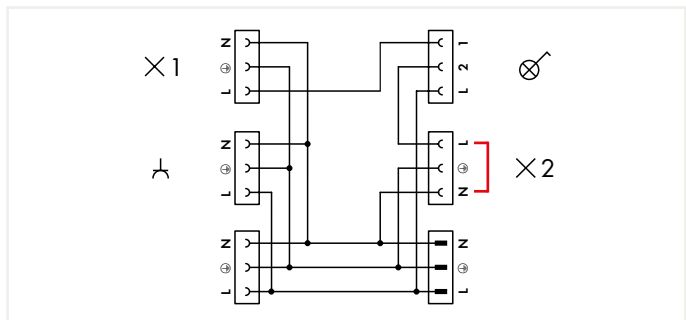
Color	Coding	Marking	Item No.	PU
● black	A	plain	770-637	10
○ white	A	plain	770-687	10



Internal circuit of 770-637 Distribution Connector with possible insertion position of 770-1373/14x-000 Shorting Plug



Internal circuit of 770-637 Distribution Connector with insertion position of 770-113/147-000 Shorting Plug for connecting a motion sensor



Internal circuit of 770-637 Distribution Connector with insertion position of 770-113/147-000 Shorting Plug for connecting a switch with control lamp

### Accessories; for all products on this page



Shorting plug; for distribution connectors; series and two-way circuits; Pole No.: 3; Coding: A

Marking	Item No.	PU
	770-113/147-000	25



Shorting plug; for distribution connectors; series and two-way circuits; Pole No.: 3; Coding: S

Marking	Item No.	PU
	770-1373/146-000	25
	770-1373/147-000	25
	770-1373/148-000	25
	770-1373/149-000	25



Lockout cap; for socket; separable; Pole No.: 12

Color	Item No.	PU
● black	770-201	100
○ white	770-221	100



Lockout cap; for plugs; separable; Pole No.: 5

Color	Item No.	PU
● yellow	770-360	100



Mounting plate; for distribution connectors (except T-distribution connectors); 3-pole

Color	Item No.	PU
● black	770-623	25
○ white	770-673	25

PU = Packaging Unit; SPU = Subpackaging Unit; Dimensions in mm

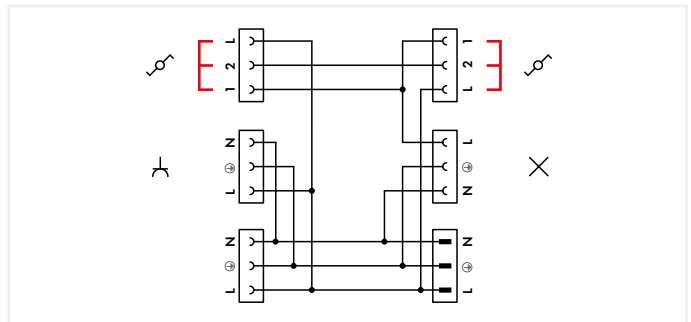
# Distribution Connector ▶ WINSTA® MIDI ▶ 770 Series

## Pole No.: 3

Distribution connector for single-pole switch and two-way circuits ▶ for single-pole switch and two-way circuits



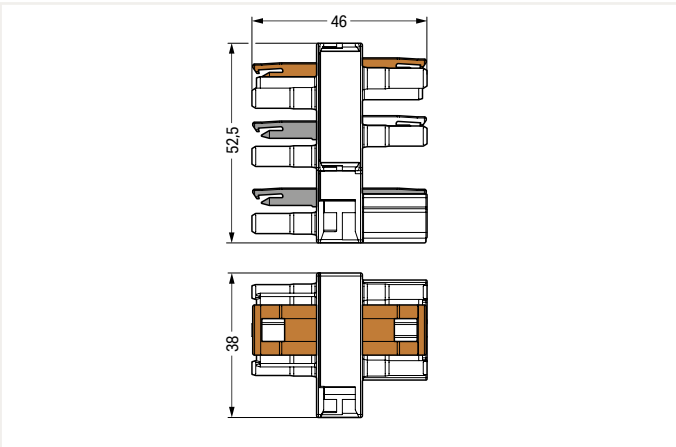
770-638



Internal circuit of 770-638 Distribution Connector with possible insertion positions of 770-1373/14x-000 Shorting Plug

### General mains applications

Color	Coding	Marking	Item No.	PU
● black	A	plain	770-638	10
○ white	A	plain	770-688	10



### Accessories; for all products on this page



Shorting plug; for distribution connectors; series and two-way circuits; Pole No.: 3; Coding: S

Marking	Item No.	PU
	770-1373/146-000	25
	770-1373/147-000	25
	770-1373/148-000	25
	770-1373/149-000	25



Lockout cap; for socket; separable; Pole No.: 12

Color	Item No.	PU
● black	770-201	100
○ white	770-221	100



Lockout cap; for plugs; separable; Pole No.: 5

Color	Item No.	PU
● yellow	770-360	100



Mounting plate; for distribution connectors (except T-distribution connectors); 3-pole

Color	Item No.	PU
● black	770-623	25
○ white	770-673	25

PU = Packaging Unit; SPU = Subpackaging Unit; Dimensions in mm

**Cable Assembly ▶ WINSTA® MIDI ▶ 771 Series**Pole No.: 3 ▶ Protection type: IP20 ▶ Fire class per EN 50575: E<sub>ca</sub>

- Protected against mismatching and maintenance-free
- Additional variable coding is possible.

Electrical Data									
Coding	A;B;P;S			A;P			B		
Wire cross-section	1.5 mm <sup>2</sup>			2.5 mm <sup>2</sup>			1 mm <sup>2</sup>		
Ratings per	IEC/EN 60664-1			IEC/EN 60664-1			IEC/EN 60664-1		
Oversvoltage category	III	III	II	III	III	II	III	III	II
Pollution degree	3	2	2	3	2	2	3	2	2
Rated voltage	250 V	-	-	250 V	-	-	250 V	-	-
Rated impulse voltage	4 kV	-	-	4 kV	-	-	4 kV	-	-
Rated current	16 A	-	-	20 A	-	-	10 A	-	-

Material Data	
Insulation material	Polyamide (PA66)
Contact material	Copper or copper alloy (surface-treated)
Fire class per EN 50575	E <sub>ca</sub>

Mechanical Data	
Number of mating cycles	200, without resistive load
Mating force of a plug-in connection	approx. 20 ... 70 N (depending on pole number)
Unmating force of a plug-in connection	when unlocked: approx. 20 ... 70 N (depending on pole number)
Retention force of a plug-in connection	when locked: > 80N
Protection type	IP20
Note on protection type	When mated: IP2xC (These compact connectors are not designed for use in open, easily accessible areas!)

Environmental Requirements	
Processing temperature	-5 ... +40 °C
Continuous operating temperature	-35 ... +85 °C
Note on continuous operating temperature	PVC cable for temperatures ≤ 70 °C (including halogen-free) Insulating parts for temperatures ≤ 105 °C

All WINSTA® components are 100% protected against mismatching when:

- plugging different numbers of poles
- plugging while rotated 180
- plugging while laterally staggered
- plugging one pole

Cables with a different fire class can be found in the eShop.

Cover Page 380

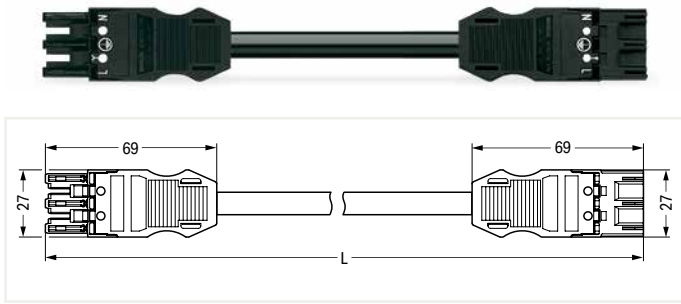
Marking Page 405

See technical section for further information

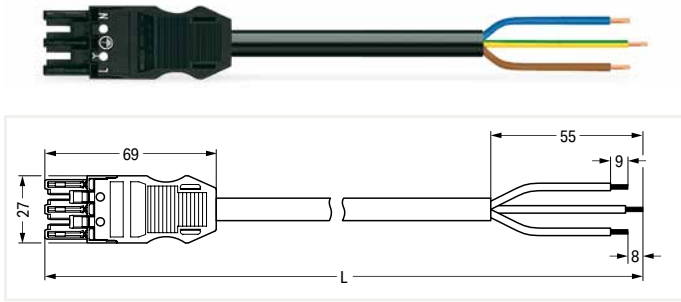
For approvals and corresponding ratings, visit [www.wago.com](http://www.wago.com)

### Cable Assembly ▶ WINSTA® MIDI ▶ 771 Series

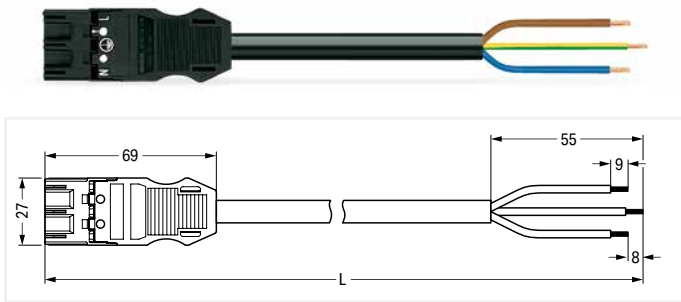
Pole No.: 3 ▶ Protection type: IP20 ▶ Fire class per EN 50575: E<sub>ca</sub> ▶ Coding: A ▶ 1.5 mm<sup>2</sup> ▶ Marking: L ⊕ N ▶ PVC ▶ Sheathed cable diameter: 7.4 ... 9.4 mm ▶ H05VV-F 3G1.5 ▶ General mains applications



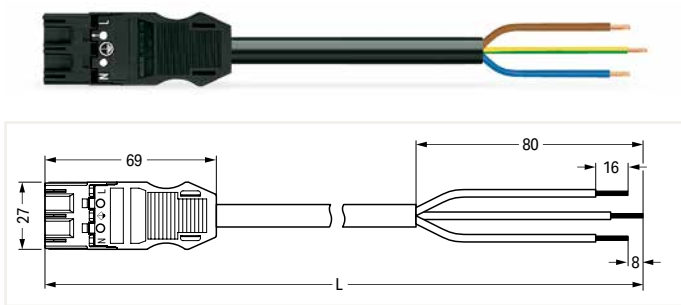
Interconnecting cable ▶ Socket - Plug			
Total length	Connector color/Strain relief color		PU
	black/black	white/white	
1 m	771-9993/006-101	771-9993/006-102	1
2 m	771-9993/006-201	771-9993/006-202	1
3 m	771-9993/006-301	771-9993/006-302	1
4 m	771-9993/006-401	771-9993/006-402	1
5 m	771-9993/006-501	771-9993/006-502	1
6 m	771-9993/006-601	771-9993/006-602	1
7 m	771-9993/006-701	771-9993/006-702	1
8 m	771-9993/006-801	771-9993/006-802	1



Connecting cable ▶ Socket - Free end ▶ Strip length (outer insulation): 55 mm			
Total length	Connector color/Strain relief color		PU
	black/black	white/white	
1 m	771-9993/106-101	771-9993/106-102	1
2 m	771-9993/106-201	771-9993/106-202	1
3 m	771-9993/106-301	771-9993/106-302	1
4 m	771-9993/106-401	771-9993/106-402	1
5 m	771-9993/106-501	771-9993/106-502	1
6 m	771-9993/106-601	771-9993/106-602	1
7 m	771-9993/106-701	771-9993/106-702	1
8 m	771-9993/106-801	771-9993/106-802	1



Connecting cable ▶ Plug - Free end ▶ Strip length (outer insulation): 55 mm			
Total length	Connector color/Strain relief color		PU
	black/black	white/white	
1 m	771-9993/206-101	771-9993/206-102	1
2 m	771-9993/206-201	771-9993/206-202	1
3 m	771-9993/206-301	771-9993/206-302	1
4 m	771-9993/206-401	771-9993/206-402	1
5 m	771-9993/206-501	771-9993/206-502	1
6 m	771-9993/206-601	771-9993/206-602	1
7 m	771-9993/206-701	771-9993/206-702	1
8 m	771-9993/206-801	771-9993/206-802	1



Connecting cable ▶ Plug - Free end ▶ Strip length (outer insulation): 80 mm ▶ for installation of switches and outlets			
Total length	Connector color/Strain relief color		PU
	black/black	white/white	
1 m	771-9993/3206-101		1
2 m	771-9993/3206-201		1
3 m	771-9993/3206-301		1
4 m	771-9993/3206-401		1
5 m	771-9993/3206-501		1
6 m	771-9993/3206-601		1
7 m	771-9993/3206-701		1
8 m	771-9993/3206-801		1

Accessories; for all products on this page



Locking lever; for flying leads; manually operated		
Color	Item No.	PU (SPU)
● black	770-101	100 (25)
○ white	770-121	100 (25)



Locking lever; for flying leads; tool operated		
Color	Item No.	PU (SPU)
● black	770-111	100 (25)
○ white	770-131	100 (25)



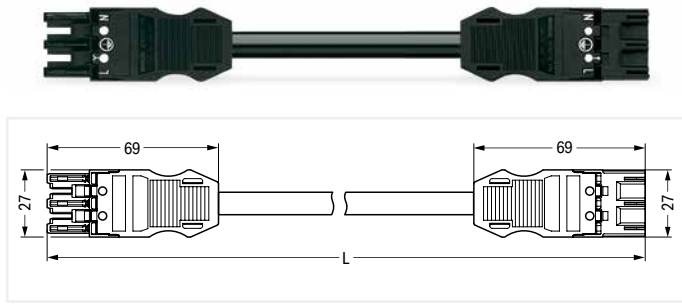
Mounting carrier; for flying leads; 2- to 5-pole		
Color	Item No.	PU
● black	770-310	25

PU = Packaging Unit; SPU = Subpackaging Unit; Dimensions in mm

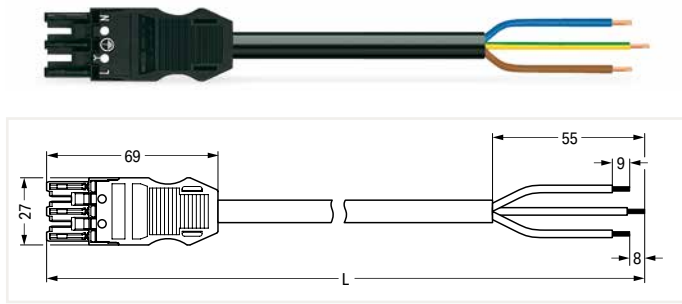
## Cable Assembly ▶ WINSTA® MIDI ▶ 771 Series

Pole No.: 3 ▶ Protection type: IP20 ▶ Fire class per EN 50575: E<sub>ca</sub> ▶ Coding: A ▶ 1.5 mm<sup>2</sup> ▶ Marking: L ⊕ N ▶ Halogen-free ▶ Sheathed cable diameter: 7.4 ... 9.4 mm ▶ H05Z1Z1-F 3G1.5 ▶ General mains applications

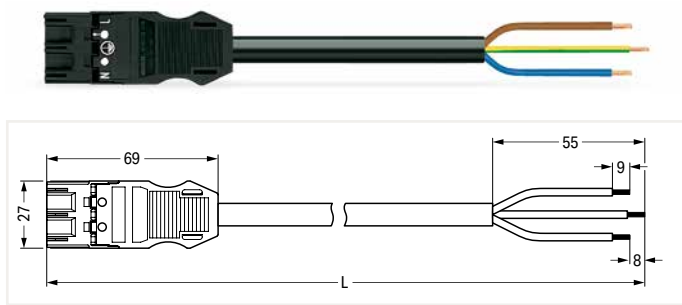
2



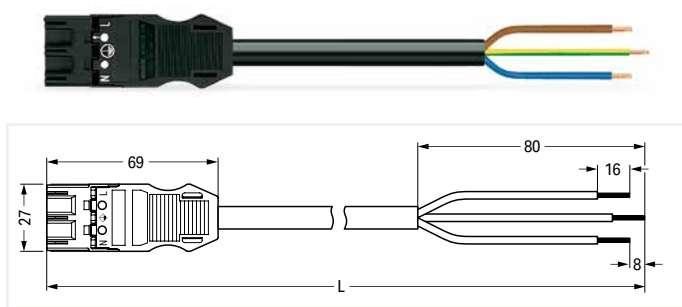
Interconnecting cable ▶ Socket - Plug			
Total length	Connector color/Strain relief color		PU
	black/black	white/white	
1 m	771-9993/016-101	771-9993/016-102	1
2 m	771-9993/016-201	771-9993/016-202	1
3 m	771-9993/016-301	771-9993/016-302	1
4 m	771-9993/016-401	771-9993/016-402	1
5 m	771-9993/016-501	771-9993/016-502	1
6 m	771-9993/016-601	771-9993/016-602	1
7 m	771-9993/016-701	771-9993/016-702	1
8 m	771-9993/016-801	771-9993/016-802	1



Connecting cable ▶ Socket - Free end ▶ Strip length (outer insulation): 55 mm			
Total length	Connector color/Strain relief color		PU
	black/black	white/white	
1 m	771-9993/116-101	771-9993/116-102	1
2 m	771-9993/116-201	771-9993/116-202	1
3 m	771-9993/116-301	771-9993/116-302	1
4 m	771-9993/116-401	771-9993/116-402	1
5 m	771-9993/116-501	771-9993/116-502	1
6 m	771-9993/116-601	771-9993/116-602	1
7 m	771-9993/116-701	771-9993/116-702	1
8 m	771-9993/116-801	771-9993/116-802	1



Connecting cable ▶ Plug - Free end ▶ Strip length (outer insulation): 55 mm			
Total length	Connector color/Strain relief color		PU
	black/black	white/white	
1 m	771-9993/216-101	771-9993/216-102	1
2 m	771-9993/216-201	771-9993/216-202	1
3 m	771-9993/216-301	771-9993/216-302	1
4 m	771-9993/216-401	771-9993/216-402	1
5 m	771-9993/216-501	771-9993/216-502	1
6 m	771-9993/216-601	771-9993/216-602	1
7 m	771-9993/216-701	771-9993/216-702	1
8 m	771-9993/216-801	771-9993/216-802	1



Connecting cable ▶ Plug - Free end ▶ Strip length (outer insulation): 80 mm ▶ for installation of switches and outlets			
Total length	Connector color/Strain relief color		PU
	black/black	white/white	
1 m	771-9993/3216-101		1
2 m	771-9993/3216-201		1
3 m	771-9993/3216-301		1
4 m	771-9993/3216-401		1
5 m	771-9993/3216-501		1
6 m	771-9993/3216-601		1
7 m	771-9993/3216-701		1
8 m	771-9993/3216-801		1

### Accessories; for all products on this page



Locking lever; for flying leads; manually operated		
Color	Item No.	PU (SPU)
● black	770-101	100 (25)
○ white	770-121	100 (25)



Locking lever; for flying leads; tool operated		
Color	Item No.	PU (SPU)
● black	770-111	100 (25)
○ white	770-131	100 (25)

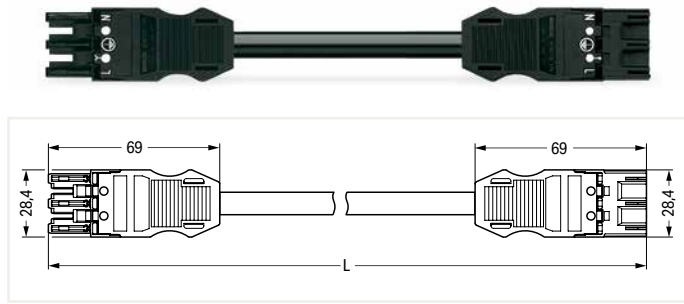


Mounting carrier; for flying leads; 2- to 5-pole		
Color	Item No.	PU
● black	770-310	25

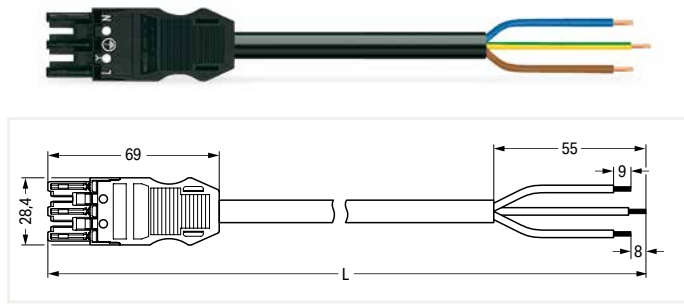
PU = Packaging Unit; SPU = Subpackaging Unit; Dimensions in mm

### Cable Assembly ▶ WINSTA® MIDI ▶ 771 Series

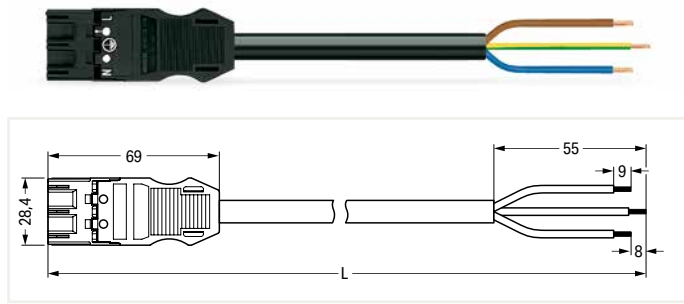
Pole No.: 3 ▶ Protection type: IP20 ▶ Fire class per EN 50575: E<sub>ca</sub> ▶ Coding: A ▶ 2.5 mm<sup>2</sup> ▶ Marking: L ⊕ N ▶ PVC ▶ Sheathed cable diameter: 9.2 ... 11.4 mm ▶ H05VV-F 3G2.5 ▶ General mains applications



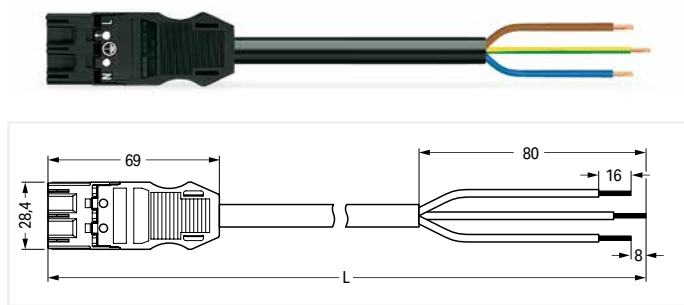
Interconnecting cable ▶ Socket - Plug			
Total length	Connector color/Strain relief color		PU
	black/black	white/white	
1 m	771-9993/007-101	771-9993/007-102	1
2 m	771-9993/007-201	771-9993/007-202	1
3 m	771-9993/007-301	771-9993/007-302	1
4 m	771-9993/007-401	771-9993/007-402	1
5 m	771-9993/007-501	771-9993/007-502	1
6 m	771-9993/007-601	771-9993/007-602	1
7 m	771-9993/007-701	771-9993/007-702	1
8 m	771-9993/007-801	771-9993/007-802	1



Connecting cable ▶ Socket - Free end ▶ Strip length (outer insulation): 55 mm			
Total length	Connector color/Strain relief color		PU
	black/black	white/white	
1 m	771-9993/107-101	771-9993/107-102	1
2 m	771-9993/107-201	771-9993/107-202	1
3 m	771-9993/107-301	771-9993/107-302	1
4 m	771-9993/107-401	771-9993/107-402	1
5 m	771-9993/107-501	771-9993/107-502	1
6 m	771-9993/107-601	771-9993/107-602	1
7 m	771-9993/107-701	771-9993/107-702	1
8 m	771-9993/107-801	771-9993/107-802	1



Connecting cable ▶ Plug - Free end ▶ Strip length (outer insulation): 55 mm			
Total length	Connector color/Strain relief color		PU
	black/black	white/white	
1 m	771-9993/207-101	771-9993/207-102	1
2 m	771-9993/207-201	771-9993/207-202	1
3 m	771-9993/207-301	771-9993/207-302	1
4 m	771-9993/207-401	771-9993/207-402	1
5 m	771-9993/207-501	771-9993/207-502	1
6 m	771-9993/207-601	771-9993/207-602	1
7 m	771-9993/207-701	771-9993/207-702	1
8 m	771-9993/207-801	771-9993/207-802	1



Connecting cable ▶ Plug - Free end ▶ Strip length (outer insulation): 80 mm ▶ for installation of switches and outlets			
Total length	Connector color/Strain relief color		PU
	black/black		
1 m	771-9993/3207-101		1
2 m	771-9993/3207-201		1
3 m	771-9993/3207-301		1
4 m	771-9993/3207-401		1
5 m	771-9993/3207-501		1
6 m	771-9993/3207-601		1
7 m	771-9993/3207-701		1
8 m	771-9993/3207-801		1

Accessories; for all products on this page



Locking lever; for flying leads; manually operated		
Color	Item No.	PU (SPU)
● black	770-101	100 (25)
○ white	770-121	100 (25)



Locking lever; for flying leads; tool operated		
Color	Item No.	PU (SPU)
● black	770-111	100 (25)
○ white	770-131	100 (25)



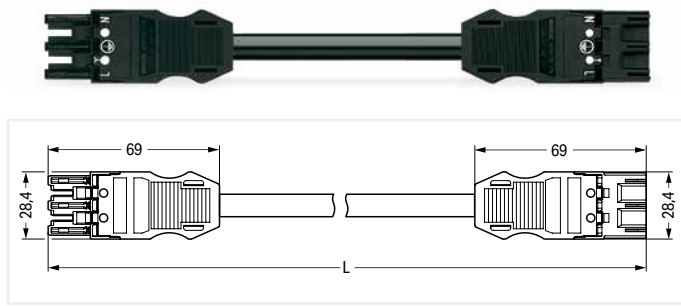
Mounting carrier; for flying leads; 2- to 5-pole		
Color	Item No.	PU
● black	770-310	25

PU = Packaging Unit; SPU = Subpackaging Unit; Dimensions in mm

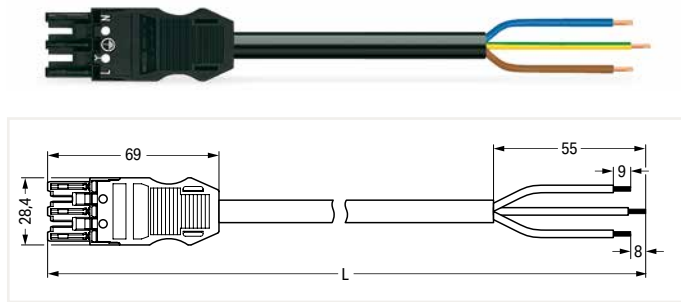
## Cable Assembly ▶ WINSTA® MIDI ▶ 771 Series

Pole No.: 3 ▶ Protection type: IP20 ▶ Fire class per EN 50575: E<sub>ca</sub> ▶ Coding: A ▶ 2.5 mm<sup>2</sup> ▶ Marking: L ⊕ N ▶ Halogen-free ▶ Sheathed cable diameter: 9.2 ... 11.4 mm ▶ H05Z1Z1-F 3G2.5 ▶ General mains applications

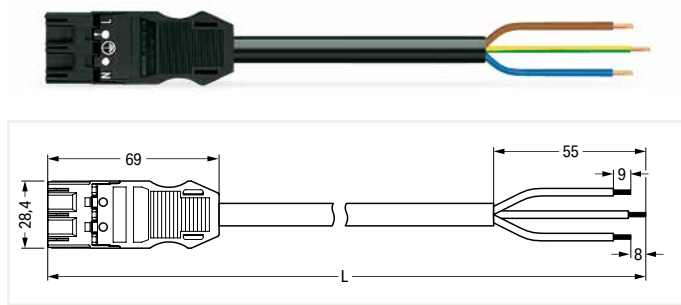
2



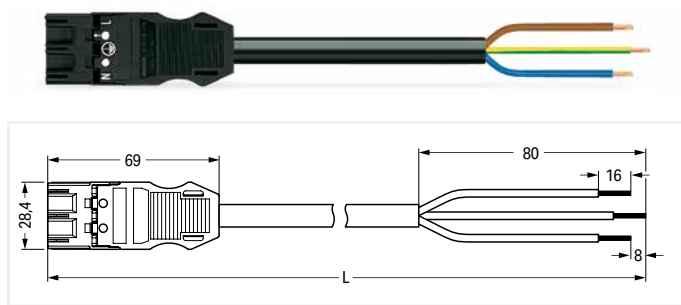
Total length	Connector color/Strain relief color		PU
	black/black	white/white	
1 m	771-9993/017-101	771-9993/017-102	1
2 m	771-9993/017-201	771-9993/017-202	1
3 m	771-9993/017-301	771-9993/017-302	1
4 m	771-9993/017-401	771-9993/017-402	1
5 m	771-9993/017-501	771-9993/017-502	1
6 m	771-9993/017-601	771-9993/017-602	1
7 m	771-9993/017-701	771-9993/017-702	1
8 m	771-9993/017-801	771-9993/017-802	1



Total length	Connector color/Strain relief color		PU
	black/black	white/white	
1 m	771-9993/117-101	771-9993/117-102	1
2 m	771-9993/117-201	771-9993/117-202	1
3 m	771-9993/117-301	771-9993/117-302	1
4 m	771-9993/117-401	771-9993/117-402	1
5 m	771-9993/117-501	771-9993/117-502	1
6 m	771-9993/117-601	771-9993/117-602	1
7 m	771-9993/117-701	771-9993/117-702	1
8 m	771-9993/117-801	771-9993/117-802	1



Total length	Connector color/Strain relief color		PU
	black/black	white/white	
1 m	771-9993/217-101	771-9993/217-102	1
2 m	771-9993/217-201	771-9993/217-202	1
3 m	771-9993/217-301	771-9993/217-302	1
4 m	771-9993/217-401	771-9993/217-402	1
5 m	771-9993/217-501	771-9993/217-502	1
6 m	771-9993/217-601	771-9993/217-602	1
7 m	771-9993/217-701	771-9993/217-702	1
8 m	771-9993/217-801	771-9993/217-802	1



Total length	Connector color/Strain relief color		PU
	black/black	white/white	
1 m	771-9993/3217-101		1
2 m	771-9993/3217-201		1
3 m	771-9993/3217-301		1
4 m	771-9993/3217-401		1
5 m	771-9993/3217-501		1
6 m	771-9993/3217-601		1
7 m	771-9993/3217-701		1
8 m	771-9993/3217-801		1

### Accessories; for all products on this page



Locking lever; for flying leads; manually operated		
Color	Item No.	PU (SPU)
● black	770-101	100 (25)
○ white	770-121	100 (25)



Locking lever; for flying leads; tool operated		
Color	Item No.	PU (SPU)
● black	770-111	100 (25)
○ white	770-131	100 (25)



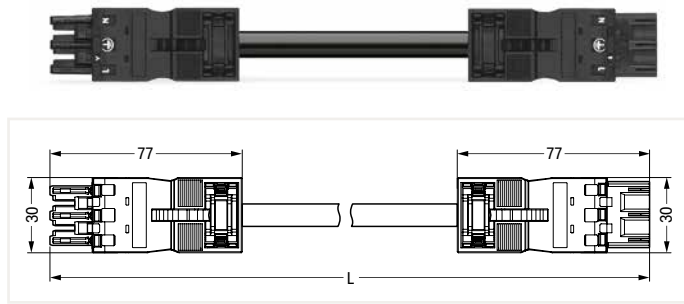
Mounting carrier; for flying leads; 2- to 5-pole		
Color	Item No.	PU
● black	770-310	25

PU = Packaging Unit; SPU = Subpackaging Unit; Dimensions in mm

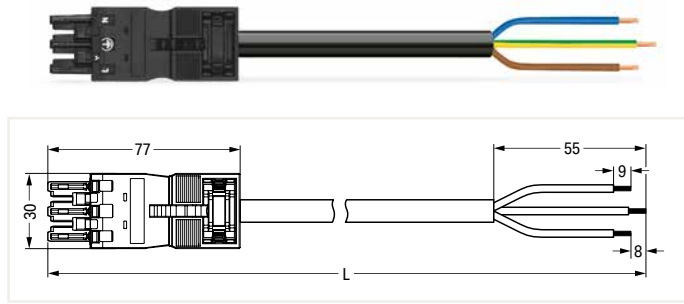


### Cable Assembly ▶ WINSTA® MIDI ▶ 771 Series

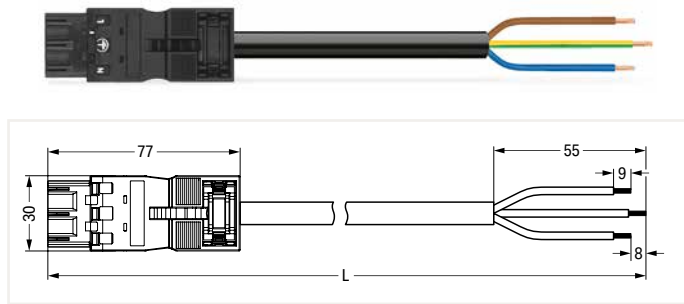
Pole No.: 3 ▶ Protection type: IP 2xD ▶ Coding: A ▶ Marking: L ⊕ N ▶ Fire class per EN 50575: E<sub>ca</sub> ▶ General mains applications ▶ 1.5 mm<sup>2</sup> ▶ PVC ▶ Sheathed cable diameter: 7.4 ... 9.4 mm ▶ H05VV-F 3G1.5



Interconnecting cable ▶ Socket - Plug			
Total length	Connector color/Strain relief color		PU
	black/black	white/white	
1 m	771-6993/006-101	771-6993/006-102	1
2 m	771-6993/006-201	771-6993/006-202	1
3 m	771-6993/006-301	771-6993/006-302	1
4 m	771-6993/006-401	771-6993/006-402	1
5 m	771-6993/006-501	771-6993/006-502	1
6 m	771-6993/006-601	771-6993/006-602	1
7 m	771-6993/006-701	771-6993/006-702	1
8 m	771-6993/006-801	771-6993/006-802	1



Connecting cable ▶ Socket - Free end ▶ Strip length (outer insulation): 55 mm			
Total length	Connector color/Strain relief color		PU
	black/black	white/white	
1 m	771-6993/106-101	771-6993/106-102	1
2 m	771-6993/106-201	771-6993/106-202	1
3 m	771-6993/106-301	771-6993/106-302	1
4 m	771-6993/106-401	771-6993/106-402	1
5 m	771-6993/106-501	771-6993/106-502	1
6 m	771-6993/106-601	771-6993/106-602	1
7 m	771-6993/106-701	771-6993/106-702	1
8 m	771-6993/106-801	771-6993/106-802	1



Connecting cable ▶ Plug - Free end ▶ Strip length (outer insulation): 55 mm			
Total length	Connector color/Strain relief color		PU
	black/black	white/white	
1 m	771-6993/206-101	771-6993/206-102	1
2 m	771-6993/206-201	771-6993/206-202	1
3 m	771-6993/206-301	771-6993/206-302	1
4 m	771-6993/206-401	771-6993/206-402	1
5 m	771-6993/206-501	771-6993/206-502	1
6 m	771-6993/206-601	771-6993/206-602	1
7 m	771-6993/206-701	771-6993/206-702	1
8 m	771-6993/206-801	771-6993/206-802	1

Accessories; for all products on this page



Locking lever; for flying leads; manually operated		
Color	Item No.	PU (SPU)
● black	770-101	100 (25)
○ white	770-121	100 (25)



Locking lever; for flying leads; tool operated		
Color	Item No.	PU (SPU)
● black	770-111	100 (25)
○ white	770-131	100 (25)



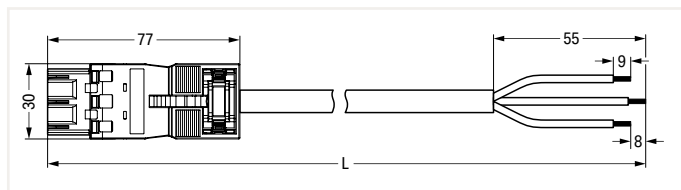
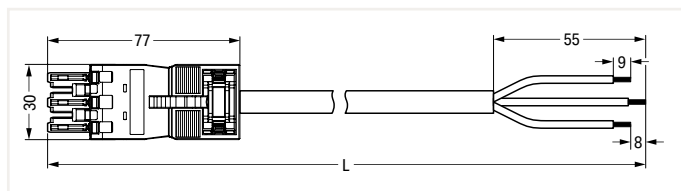
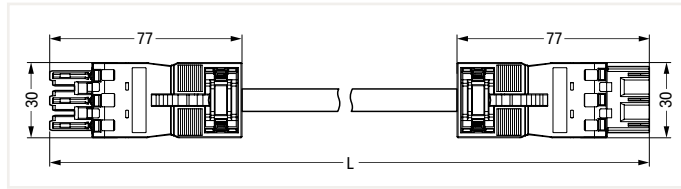
Mounting carrier; for flying leads; 2- to 5-pole		
Color	Item No.	PU
● black	770-310	25

PU = Packaging Unit; SPU = Subpackaging Unit; Dimensions in mm



## Cable Assembly ▶ WINSTA® MIDI ▶ 771 Series

Pole No.: 3 ▶ Protection type: IP 2xD ▶ Coding: A ▶ Marking: L ⊕ N ▶ Fire class per EN 50575: E<sub>ca</sub> ▶ General mains applications ▶ 1.5 mm<sup>2</sup> ▶ Halogen-free ▶ Sheathed cable diameter: 7.4 ... 9.4 mm ▶ H05Z1Z1-F 3G1.5



Interconnecting cable ▶ Socket - Plug			
Total length	Connector color/Strain relief color		PU
	black/black	white/white	
1 m	771-6993/016-101	771-6993/016-102	1
2 m	771-6993/016-201	771-6993/016-202	1
3 m	771-6993/016-301	771-6993/016-302	1
4 m	771-6993/016-401	771-6993/016-402	1
5 m	771-6993/016-501	771-6993/016-502	1
6 m	771-6993/016-601	771-6993/016-602	1
7 m	771-6993/016-701	771-6993/016-702	1
8 m	771-6993/016-801	771-6993/016-802	1

Connecting cable ▶ Socket - Free end ▶ Strip length (outer insulation): 55 mm			
Total length	Connector color/Strain relief color		PU
	black/black	white/white	
1 m	771-6993/116-101	771-6993/116-102	1
2 m	771-6993/116-201	771-6993/116-202	1
3 m	771-6993/116-301	771-6993/116-302	1
4 m	771-6993/116-401	771-6993/116-402	1
5 m	771-6993/116-501	771-6993/116-502	1
6 m	771-6993/116-601	771-6993/116-602	1
7 m	771-6993/116-701	771-6993/116-702	1
8 m	771-6993/116-801	771-6993/116-802	1

Connecting cable ▶ Plug - Free end ▶ Strip length (outer insulation): 55 mm			
Total length	Connector color/Strain relief color		PU
	black/black	white/white	
1 m	771-6993/216-101	771-6993/216-102	1
2 m	771-6993/216-201	771-6993/216-202	1
3 m	771-6993/216-301	771-6993/216-302	1
4 m	771-6993/216-401	771-6993/216-402	1
5 m	771-6993/216-501	771-6993/216-502	1
6 m	771-6993/216-601	771-6993/216-602	1
7 m	771-6993/216-701	771-6993/216-702	1
8 m	771-6993/216-801	771-6993/216-802	1

### Accessories; for all products on this page



Locking lever; for flying leads; manually operated		
Color	Item No.	PU (SPU)
● black	770-101	100 (25)
○ white	770-121	100 (25)



Locking lever; for flying leads; tool operated		
Color	Item No.	PU (SPU)
● black	770-111	100 (25)
○ white	770-131	100 (25)

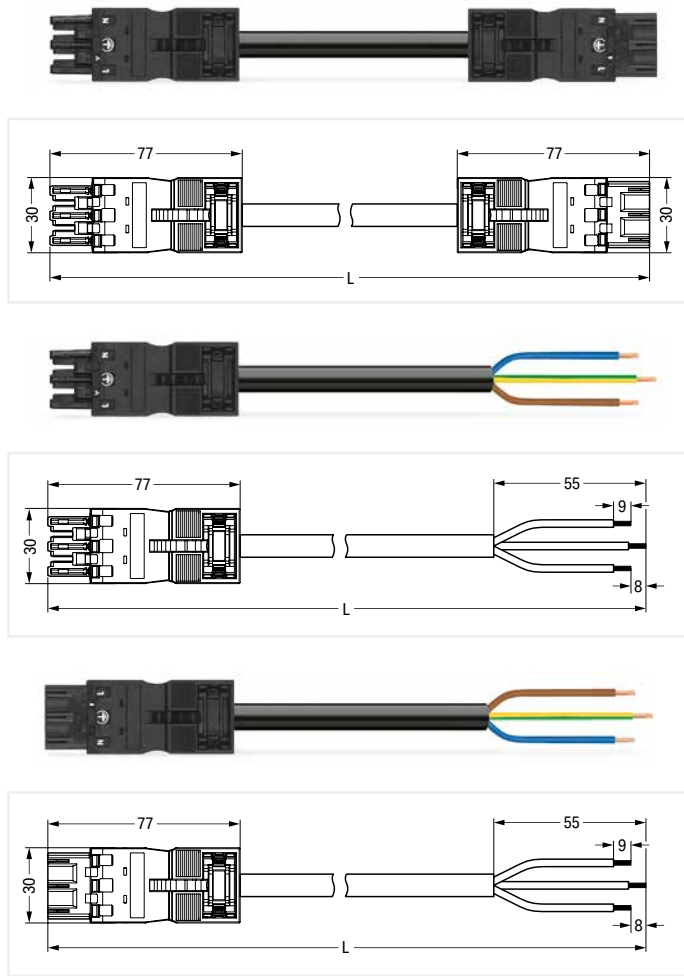


Mounting carrier; for flying leads; 2- to 5-pole		
Color	Item No.	PU
● black	770-310	25

PU = Packaging Unit; SPU = Subpackaging Unit; Dimensions in mm

### Cable Assembly ▶ WINSTA® MIDI ▶ 771 Series

Pole No.: 3 ▶ Protection type: IP 2xD ▶ Coding: A ▶ Marking: L ⊕ N ▶ Fire class per EN 50575: E<sub>ca</sub> ▶ General mains applications ▶ 2.5 mm<sup>2</sup> ▶ PVC ▶ Sheathed cable diameter: 9.2 ... 11.4 mm ▶ H05VV-F 3G2.5



Interconnecting cable ▶ Socket - Plug			
Total length	Connector color/Strain relief color		PU
	black/black	white/white	
1 m	771-6993/007-101	771-6993/007-102	1
2 m	771-6993/007-201	771-6993/007-202	1
3 m	771-6993/007-301	771-6993/007-302	1
4 m	771-6993/007-401	771-6993/007-402	1
5 m	771-6993/007-501	771-6993/007-502	1
6 m	771-6993/007-601	771-6993/007-602	1
7 m	771-6993/007-701	771-6993/007-702	1
8 m	771-6993/007-801	771-6993/007-802	1

Connecting cable ▶ Socket - Free end ▶ Strip length (outer insulation): 55 mm			
Total length	Connector color/Strain relief color		PU
	black/black	white/white	
1 m	771-6993/107-101	771-6993/107-102	1
2 m	771-6993/107-201	771-6993/107-202	1
3 m	771-6993/107-301	771-6993/107-302	1
4 m	771-6993/107-401	771-6993/107-402	1
5 m	771-6993/107-501	771-6993/107-502	1
6 m	771-6993/107-601	771-6993/107-602	1
7 m	771-6993/107-701	771-6993/107-702	1
8 m	771-6993/107-801	771-6993/107-802	1

Connecting cable ▶ Plug - Free end ▶ Strip length (outer insulation): 55 mm			
Total length	Connector color/Strain relief color		PU
	black/black	white/white	
1 m	771-6993/207-101	771-6993/207-102	1
2 m	771-6993/207-201	771-6993/207-202	1
3 m	771-6993/207-301	771-6993/207-302	1
4 m	771-6993/207-401	771-6993/207-402	1
5 m	771-6993/207-501	771-6993/207-502	1
6 m	771-6993/207-601	771-6993/207-602	1
7 m	771-6993/207-701	771-6993/207-702	1
8 m	771-6993/207-801	771-6993/207-802	1

2

Accessories; for all products on this page



Locking lever; for flying leads; manually operated		
Color	Item No.	PU (SPU)
● black	770-101	100 (25)
○ white	770-121	100 (25)



Locking lever; for flying leads; tool operated		
Color	Item No.	PU (SPU)
● black	770-111	100 (25)
○ white	770-131	100 (25)



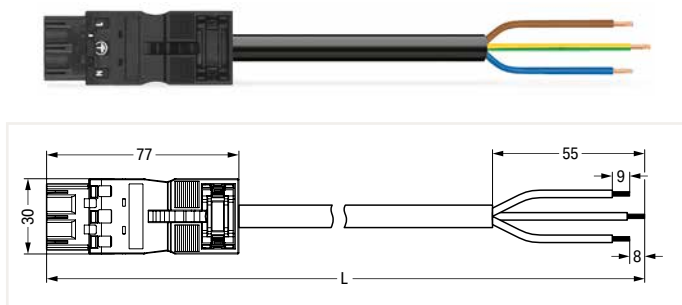
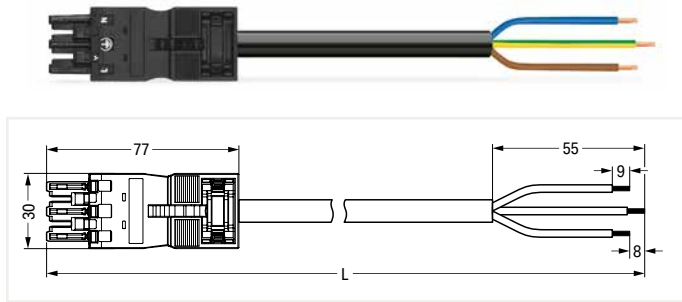
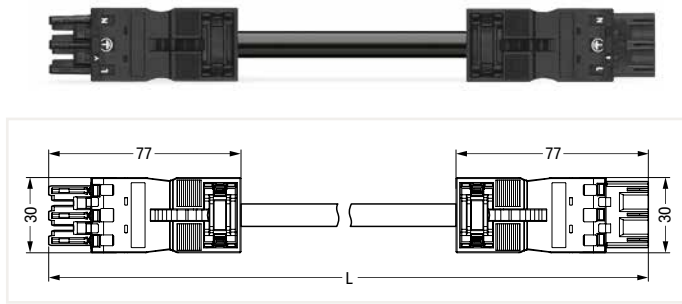
Mounting carrier; for flying leads; 2- to 5-pole		
Color	Item No.	PU
● black	770-310	25

PU = Packaging Unit; SPU = Subpackaging Unit; Dimensions in mm

## Cable Assembly ▶ WINSTA® MIDI ▶ 771 Series

Pole No.: 3 ▶ Protection type: IP 2xD ▶ Coding: A ▶ Marking: L ⊕ N ▶ Fire class per EN 50575: E<sub>ca</sub> ▶ General mains applications ▶ 2.5 mm<sup>2</sup> ▶ Halogen-free ▶ Sheathed cable diameter: 9.2 ... 11.4 mm ▶ H05Z1Z1-F 3G2.5

2



Interconnecting cable ▶ Socket - Plug			
Total length	Connector color/Strain relief color		PU
	black/black	white/white	
1 m	771-6993/017-101	771-6993/017-102	1
2 m	771-6993/017-201	771-6993/017-202	1
3 m	771-6993/017-301	771-6993/017-302	1
4 m	771-6993/017-401	771-6993/017-402	1
5 m	771-6993/017-501	771-6993/017-502	1
6 m	771-6993/017-601	771-6993/017-602	1
7 m	771-6993/017-701	771-6993/017-702	1
8 m	771-6993/017-801	771-6993/017-802	1

Connecting cable ▶ Socket - Free end ▶ Strip length (outer insulation): 55 mm			
Total length	Connector color/Strain relief color		PU
	black/black	white/white	
1 m	771-6993/117-101	771-6993/117-102	1
2 m	771-6993/117-201	771-6993/117-202	1
3 m	771-6993/117-301	771-6993/117-302	1
4 m	771-6993/117-401	771-6993/117-402	1
5 m	771-6993/117-501	771-6993/117-502	1
6 m	771-6993/117-601	771-6993/117-602	1
7 m	771-6993/117-701	771-6993/117-702	1
8 m	771-6993/117-801	771-6993/117-802	1

Connecting cable ▶ Plug - Free end ▶ Strip length (outer insulation): 55 mm			
Total length	Connector color/Strain relief color		PU
	black/black	white/white	
1 m	771-6993/217-101	771-6993/217-102	1
2 m	771-6993/217-201	771-6993/217-202	1
3 m	771-6993/217-301	771-6993/217-302	1
4 m	771-6993/217-401	771-6993/217-402	1
5 m	771-6993/217-501	771-6993/217-502	1
6 m	771-6993/217-601	771-6993/217-602	1
7 m	771-6993/217-701	771-6993/217-702	1
8 m	771-6993/217-801	771-6993/217-802	1

### Accessories; for all products on this page



Locking lever; for flying leads; manually operated		
Color	Item No.	PU (SPU)
● black	770-101	100 (25)
○ white	770-121	100 (25)



Locking lever; for flying leads; tool operated		
Color	Item No.	PU (SPU)
● black	770-111	100 (25)
○ white	770-131	100 (25)



Mounting carrier; for flying leads; 2- to 5-pole		
Color	Item No.	PU
● black	770-310	25

PU = Packaging Unit; SPU = Subpackaging Unit; Dimensions in mm

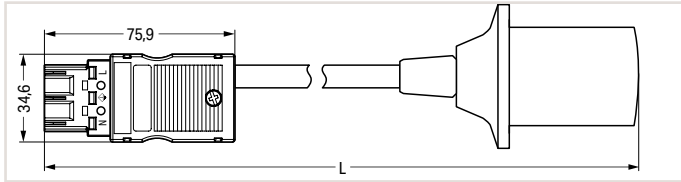
### Cable Assembly ▶ WINSTA® MIDI ▶ 771 Series

No. of poles: 3 ▶ Protection type: IP20 ▶ Fire class per EN 50575: E<sub>ca</sub> ▶ Coding: A ▶ PVC ▶ General mains application



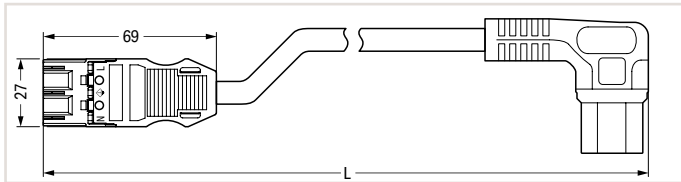
Adapter cable ▶ plug – E 27 lamp socket ▶ 0.75 mm<sup>2</sup> ▶ Connectable sheathed cable diameter: 5.7 ... 7.2 mm ▶ H05VV-F 2x0.75

Length	Connector color/Strain relief color		PU
	black/black		
0.5 m	771-8993/1004-051		1



Interconnecting cable ▶ plug – cold equipment socket ▶ angled ▶ 1 mm<sup>2</sup> ▶ Connectable sheathed cable diameter: 6.3 ... 8 mm ▶ H05VV-F 3G1

Length	Connector color/Strain relief color		PU
	black/black	white/white	
1 m	771-9993/805-101	771-9993/805-102	1
2 m	771-9993/805-201	771-9993/805-202	1
3 m	771-9993/805-301	771-9993/805-302	1



2

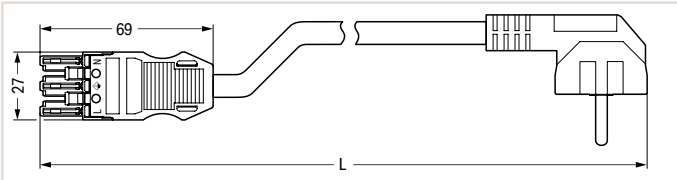
## Cable Assembly ▶ WINSTA® MIDI ▶ 771 Series

No. of poles: 3 ▶ Protection type: IP20 ▶ Fire class per EN 50575: E<sub>ca</sub> ▶ Coding: A ▶ PVC ▶ General mains application



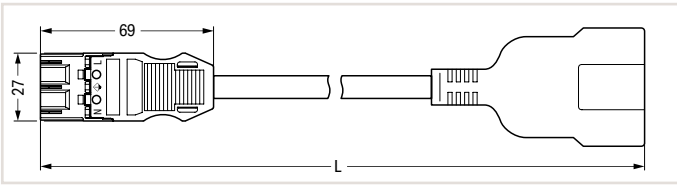
Interconnecting cable ▶ socket – SCHUKO® plug ▶ angled ▶ 1.5 mm<sup>2</sup> ▶ Connectable sheathed cable diameter: 7.4 ... 9.4 mm ▶ H05VV-F 3G1.5

Length	Connector color/Strain relief color		PU
	black/black	white/white	
1 m	771-9993/306-101	771-9993/306-102	1
2 m	771-9993/306-201	771-9993/306-202	1
3 m	771-9993/306-301	771-9993/306-302	1



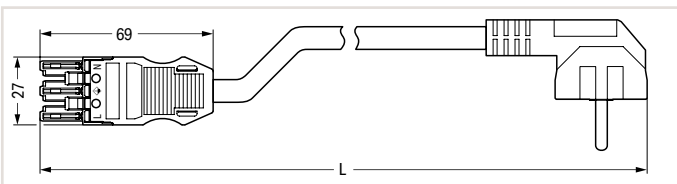
Interconnecting cable ▶ plug – SCHUKO® socket ▶ 1.5 mm<sup>2</sup> ▶ Connectable sheathed cable diameter: 7.4 ... 9.4 mm ▶ H05VV-F 3G1.5

Length	Connector color/Strain relief color		PU
	black/black	white/white	
1 m	771-9993/406-101	771-9993/406-102	1
2 m	771-9993/406-201	771-9993/406-202	1
3 m	771-9993/406-301	771-9993/406-302	1



Interconnecting cable ▶ socket – SCHUKO® plug ▶ angled ▶ 2.5 mm<sup>2</sup> ▶ Connectable sheathed cable diameter: 7.4 ... 9.4 mm ▶ H05VV-F 3G1.5

Length	Connector color/Strain relief color		PU
	black/black	white/white	
1 m	771-9993/307-101	771-9993/307-102	1
2 m	771-9993/307-201	771-9993/307-202	1
3 m	771-9993/307-301	771-9993/307-302	1



### Accessories; for all products on this page



Locking lever; for flying leads; manually operated

Color	Item No.	PU (SPU)
● black	770-101	100 (25)
○ white	770-121	100 (25)



Locking lever; for flying leads; tool operated

Color	Item No.	PU (SPU)
● black	770-111	100 (25)
○ white	770-131	100 (25)



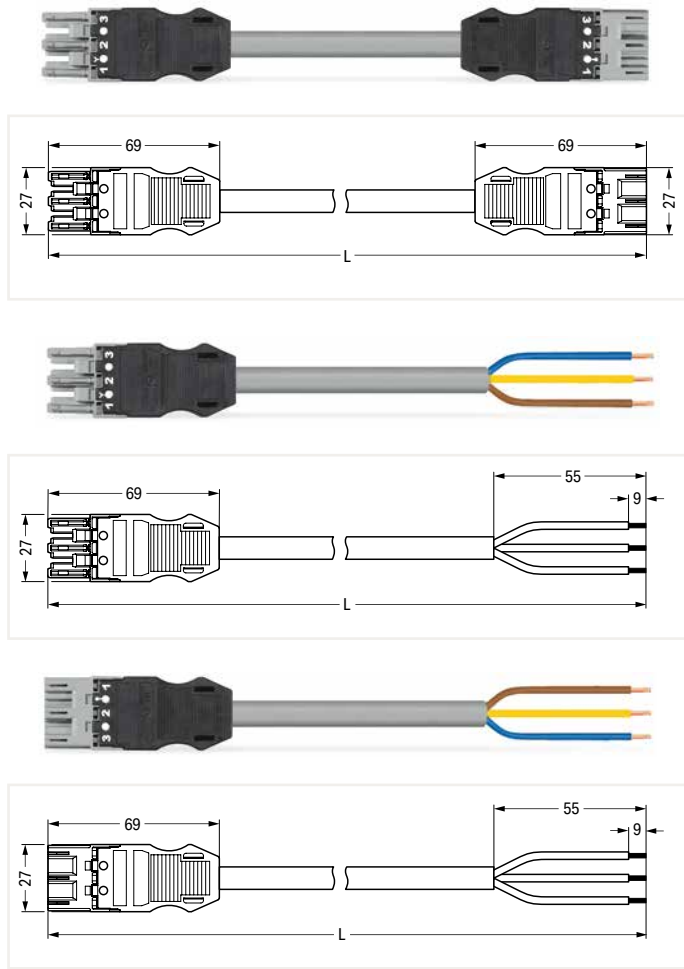
Mounting carrier; for flying leads; 2- to 5-pole

Color	Item No.	PU
● black	770-310	25

PU = Packaging Unit; SPU = Subpackaging Unit; Dimensions in mm

### Cable Assembly ▶ WINSTA® MIDI ▶ 771 Series

Pole No.: 3 ▶ Protection type: IP20 ▶ Fire class per EN 50575: E<sub>ca</sub> ▶ Coding: B ▶ 1 mm<sup>2</sup> ▶ Marking: 1 2 3 ▶ PVC ▶ Sheathed cable diameter: 6.3 ... 8 mm ▶ Control line 3 x 1 ▶ Measurement and regulation technology



Total length	Connector color/Strain relief color			PU
	gray/black	light green/black	pink/black	
1 m	771-9993/005-103	771-9993/005-105	771-9993/005-107	1
2 m	771-9993/005-203	771-9993/005-205	771-9993/005-207	1
3 m	771-9993/005-303	771-9993/005-305	771-9993/005-307	1
4 m	771-9993/005-403	771-9993/005-405	771-9993/005-407	1
5 m	771-9993/005-503	771-9993/005-505	771-9993/005-507	1
6 m	771-9993/005-603	771-9993/005-605	771-9993/005-607	1
7 m	771-9993/005-703	771-9993/005-705	771-9993/005-707	1
8 m	771-9993/005-803	771-9993/005-805	771-9993/005-807	1

Total length	Connector color/Strain relief color			PU
	gray/black	light green/black	pink/black	
1 m	771-9993/105-103	771-9993/105-105	771-9993/105-107	1
2 m	771-9993/105-203	771-9993/105-205	771-9993/105-207	1
3 m	771-9993/105-303	771-9993/105-305	771-9993/105-307	1
4 m	771-9993/105-403	771-9993/105-405	771-9993/105-407	1
5 m	771-9993/105-503	771-9993/105-505	771-9993/105-507	1
6 m	771-9993/105-603	771-9993/105-605	771-9993/105-607	1
7 m	771-9993/105-703	771-9993/105-705	771-9993/105-707	1
8 m	771-9993/105-803	771-9993/105-805	771-9993/105-807	1

Total length	Connector color/Strain relief color			PU
	gray/black	light green/black	pink/black	
1 m	771-9993/205-103	771-9993/205-105	771-9993/205-107	1
2 m	771-9993/205-203	771-9993/205-205	771-9993/205-207	1
3 m	771-9993/205-303	771-9993/205-305	771-9993/205-307	1
4 m	771-9993/205-403	771-9993/205-405	771-9993/205-407	1
5 m	771-9993/205-503	771-9993/205-505	771-9993/205-507	1
6 m	771-9993/205-603	771-9993/205-605	771-9993/205-607	1
7 m	771-9993/205-703	771-9993/205-705	771-9993/205-707	1
8 m	771-9993/205-803	771-9993/205-805	771-9993/205-807	1

2

Accessories; for all products on this page



Locking lever; for flying leads; manually operated		
Color	Item No.	PU (SPU)
● black	770-101	100 (25)
○ white	770-121	100 (25)



Locking lever; for flying leads; tool operated		
Color	Item No.	PU (SPU)
● black	770-111	100 (25)
○ white	770-131	100 (25)



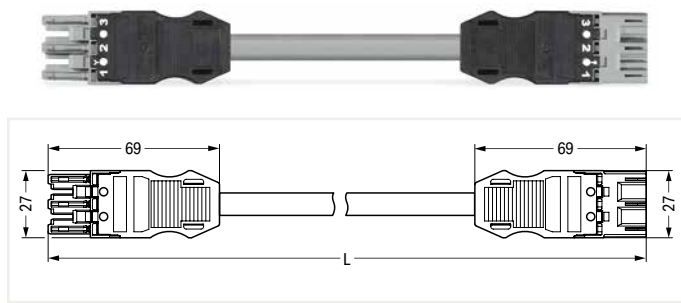
Mounting carrier; for flying leads; 2- to 5-pole		
Color	Item No.	PU
● black	770-310	25

PU = Packaging Unit; SPU = Subpackaging Unit; Dimensions in mm

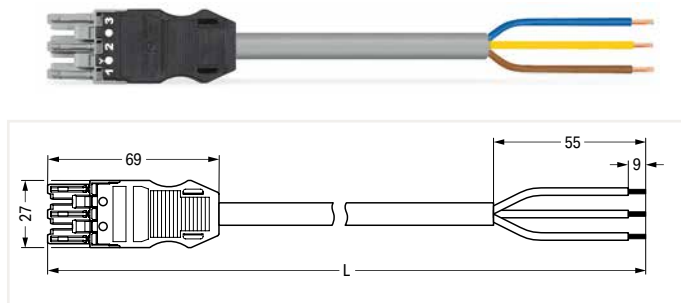
## Cable Assembly ▶ WINSTA® MIDI ▶ 771 Series

Pole No.: 3 ▶ Protection type: IP20 ▶ Fire class per EN 50575: E<sub>ca</sub> ▶ Coding: B ▶ 1.5 mm<sup>2</sup> ▶ Marking: 1 2 3 ▶ PVC ▶ Sheathed cable diameter: 7.4 ... 9.4 mm ▶ Control line 3 x 1.5 ▶ Measurement and regulation technology

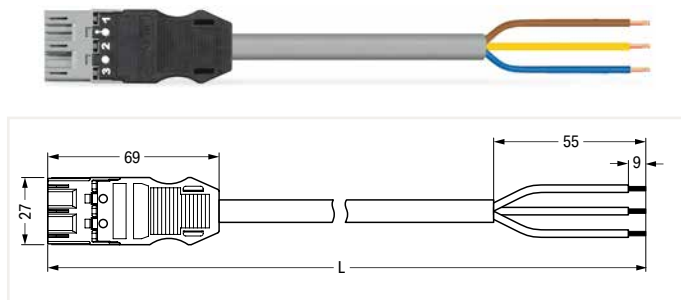
2



Interconnecting cable ▶ Socket - Plug				
Total length	Connector color/Strain relief color			PU
	gray/black	light green/black	pink/black	
1 m	771-9993/006-103	771-9993/006-105	771-9993/006-107	1
2 m	771-9993/006-203	771-9993/006-205	771-9993/006-207	1
3 m	771-9993/006-303	771-9993/006-305	771-9993/006-307	1
4 m	771-9993/006-403	771-9993/006-405	771-9993/006-407	1
5 m	771-9993/006-503	771-9993/006-505	771-9993/006-507	1
6 m	771-9993/006-603	771-9993/006-605	771-9993/006-607	1
7 m	771-9993/006-703	771-9993/006-705	771-9993/006-707	1
8 m	771-9993/006-803	771-9993/006-805	771-9993/006-807	1



Connecting cable ▶ Socket - Free end ▶ Strip length (outer insulation): 55 mm				
Total length	Connector color/Strain relief color			PU
	gray/black	light green/black	pink/black	
1 m	771-9993/106-103	771-9993/106-105	771-9993/106-107	1
2 m	771-9993/106-203	771-9993/106-205	771-9993/106-207	1
3 m	771-9993/106-303	771-9993/106-305	771-9993/106-307	1
4 m	771-9993/106-403	771-9993/106-405	771-9993/106-407	1
5 m	771-9993/106-503	771-9993/106-505	771-9993/106-507	1
6 m	771-9993/106-603	771-9993/106-605	771-9993/106-607	1
7 m	771-9993/106-703	771-9993/106-705	771-9993/106-707	1
8 m	771-9993/106-803	771-9993/106-805	771-9993/106-807	1



Connecting cable ▶ Plug - Free end ▶ Strip length (outer insulation): 55 mm				
Total length	Connector color/Strain relief color			PU
	gray/black	light green/black	pink/black	
1 m	771-9993/206-103	771-9993/206-105	771-9993/206-107	1
2 m	771-9993/206-203	771-9993/206-205	771-9993/206-207	1
3 m	771-9993/206-303	771-9993/206-305	771-9993/206-307	1
4 m	771-9993/206-403	771-9993/206-405	771-9993/206-407	1
5 m	771-9993/206-503	771-9993/206-505	771-9993/206-507	1
6 m	771-9993/206-603	771-9993/206-605	771-9993/206-607	1
7 m	771-9993/206-703	771-9993/206-705	771-9993/206-707	1
8 m	771-9993/206-803	771-9993/206-805	771-9993/206-807	1

### Accessories; for all products on this page



Locking lever; for flying leads; manually operated		
Color	Item No.	PU (SPU)
● black	770-101	100 (25)
○ white	770-121	100 (25)



Locking lever; for flying leads; tool operated		
Color	Item No.	PU (SPU)
● black	770-111	100 (25)
○ white	770-131	100 (25)



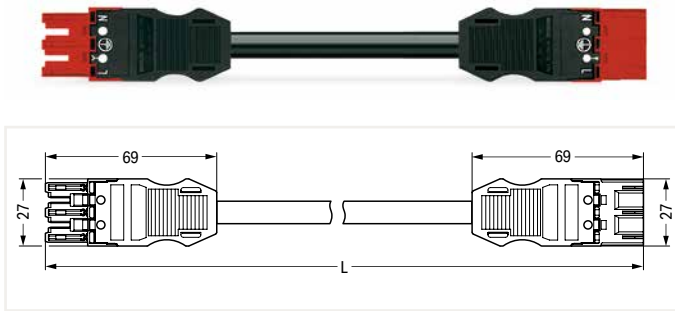
Mounting carrier; for flying leads; 2- to 5-pole		
Color	Item No.	PU
● black	770-310	25

PU = Packaging Unit; SPU = Subpackaging Unit; Dimensions in mm

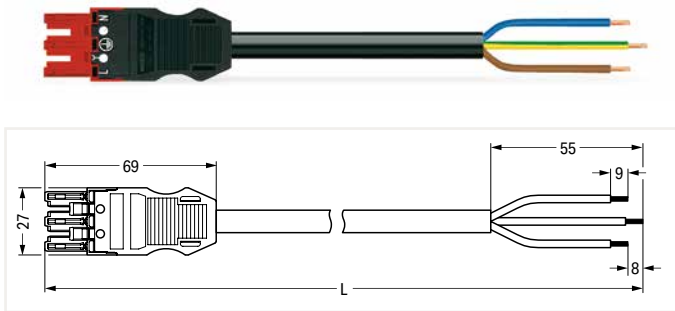


### Cable Assembly ▶ WINSTA® MIDI ▶ 771 Series

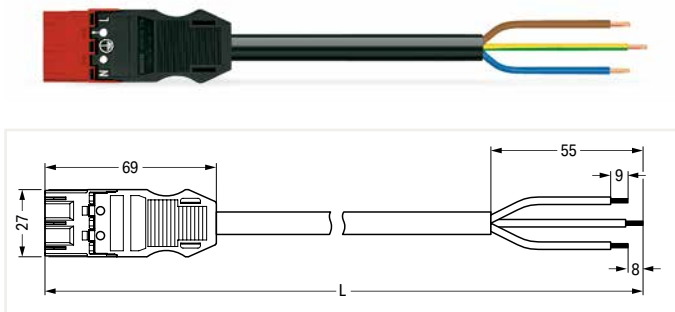
Pole No.: 3 ▶ Protection type: IP20 ▶ Fire class per EN 50575: E<sub>ca</sub> ▶ Coding: P ▶ 1.5 mm<sup>2</sup> ▶ Marking: L ⊕ N ▶ PVC ▶ Sheathed cable diameter: 7.4 ... 9.4 mm ▶ H05VV-F 3G1.5 ▶ EDV (UPS)



Total length	Connector color/Strain relief color		PU
	red/black	red/white	
1 m	771-9973/006-101	771-9973/006-102	1
2 m	771-9973/006-201	771-9973/006-202	1
3 m	771-9973/006-301	771-9973/006-302	1
4 m	771-9973/006-401	771-9973/006-402	1
5 m	771-9973/006-501	771-9973/006-502	1
6 m	771-9973/006-601	771-9973/006-602	1
7 m	771-9973/006-701	771-9973/006-702	1
8 m	771-9973/006-801	771-9973/006-802	1



Total length	Connector color/Strain relief color		PU
	red/black	red/white	
1 m	771-9973/106-101	771-9973/106-102	1
2 m	771-9973/106-201	771-9973/106-202	1
3 m	771-9973/106-301	771-9973/106-302	1
4 m	771-9973/106-401	771-9973/106-402	1
5 m	771-9973/106-501	771-9973/106-502	1
6 m	771-9973/106-601	771-9973/106-602	1
7 m	771-9973/106-701	771-9973/106-702	1
8 m	771-9973/106-801	771-9973/106-802	1



Total length	Connector color/Strain relief color		PU
	red/black	red/white	
1 m	771-9973/206-101	771-9973/206-102	1
2 m	771-9973/206-201	771-9973/206-202	1
3 m	771-9973/206-301	771-9973/206-302	1
4 m	771-9973/206-401	771-9973/206-402	1
5 m	771-9973/206-501	771-9973/206-502	1
6 m	771-9973/206-601	771-9973/206-602	1
7 m	771-9973/206-701	771-9973/206-702	1
8 m	771-9973/206-801	771-9973/206-802	1

2

Accessories; for all products on this page



Locking lever; for flying leads; manually operated		
Color	Item No.	PU (SPU)
● black	770-101	100 (25)
○ white	770-121	100 (25)



Locking lever; for flying leads; tool operated		
Color	Item No.	PU (SPU)
● black	770-111	100 (25)
○ white	770-131	100 (25)



Mounting carrier; for flying leads; 2- to 5-pole		
Color	Item No.	PU
● black	770-310	25

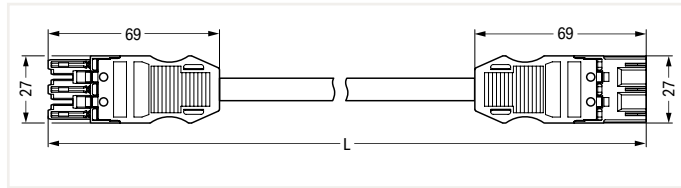
PU = Packaging Unit; SPU = Subpackaging Unit; Dimensions in mm



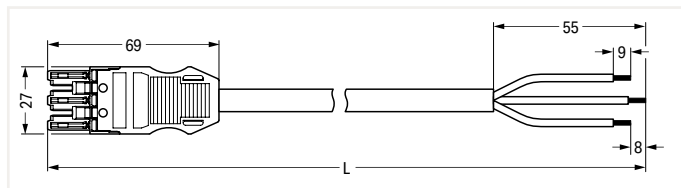
## Cable Assembly ▶ WINSTA® MIDI ▶ 771 Series

Pole No.: 3 ▶ Protection type: IP20 ▶ Fire class per EN 50575: E<sub>ca</sub> ▶ Coding: P ▶ 1.5 mm<sup>2</sup> ▶ Marking: L ⊕ N ▶ Halogen-free ▶ Sheathed cable diameter: 7.4 ... 9.4 mm ▶ H05Z1Z1-F 3G1.5 ▶ EDV (UPS)

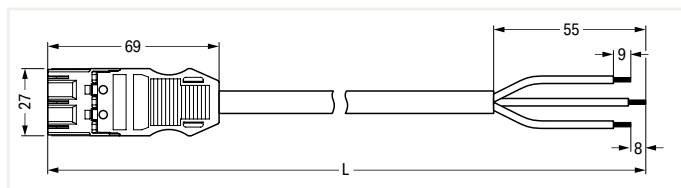
2



Interconnecting cable ▶ Socket - Plug			
Total length	Connector color/Strain relief color		PU
	red/black	red/white	
1 m	771-9973/016-101	771-9973/016-102	1
2 m	771-9973/016-201	771-9973/016-202	1
3 m	771-9973/016-301	771-9973/016-302	1
4 m	771-9973/016-401	771-9973/016-402	1
5 m	771-9973/016-501	771-9973/016-502	1
6 m	771-9973/016-601	771-9973/016-602	1
7 m	771-9973/016-701	771-9973/016-702	1
8 m	771-9973/016-801	771-9973/016-802	1



Connecting cable ▶ Socket - Free end ▶ Strip length (outer insulation): 55 mm			
Total length	Connector color/Strain relief color		PU
	red/black	red/white	
1 m	771-9973/116-101	771-9973/116-102	1
2 m	771-9973/116-201	771-9973/116-202	1
3 m	771-9973/116-301	771-9973/116-302	1
4 m	771-9973/116-401	771-9973/116-402	1
5 m	771-9973/116-501	771-9973/116-502	1
6 m	771-9973/116-601	771-9973/116-602	1
7 m	771-9973/116-701	771-9973/116-702	1
8 m	771-9973/116-801	771-9973/116-802	1



Connecting cable ▶ Plug - Free end ▶ Strip length (outer insulation): 55 mm			
Total length	Connector color/Strain relief color		PU
	red/black	red/white	
1 m	771-9973/216-101	771-9973/216-102	1
2 m	771-9973/216-201	771-9973/216-202	1
3 m	771-9973/216-301	771-9973/216-302	1
4 m	771-9973/216-401	771-9973/216-402	1
5 m	771-9973/216-501	771-9973/216-502	1
6 m	771-9973/216-601	771-9973/216-602	1
7 m	771-9973/216-701	771-9973/216-702	1
8 m	771-9973/216-801	771-9973/216-802	1

### Accessories; for all products on this page



Locking lever; for flying leads; manually operated		
Color	Item No.	PU (SPU)
● black	770-101	100 (25)
○ white	770-121	100 (25)



Locking lever; for flying leads; tool operated		
Color	Item No.	PU (SPU)
● black	770-111	100 (25)
○ white	770-131	100 (25)

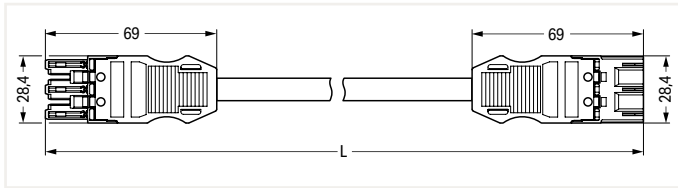


Mounting carrier; for flying leads; 2- to 5-pole		
Color	Item No.	PU
● black	770-310	25

PU = Packaging Unit; SPU = Subpackaging Unit; Dimensions in mm

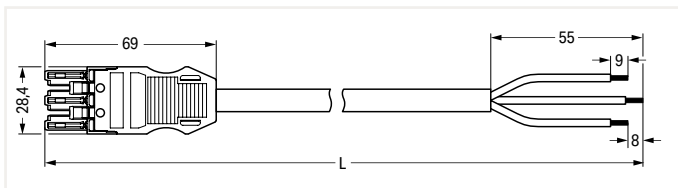
### Cable Assembly ▶ WINSTA® MIDI ▶ 771 Series

Pole No.: 3 ▶ Protection type: IP20 ▶ Fire class per EN 50575: E<sub>ca</sub> ▶ Coding: P ▶ 2.5 mm<sup>2</sup> ▶ Marking: L ⊕ N ▶ PVC ▶ Sheathed cable diameter: 9.2 ... 11.4 mm ▶ H05VV-F 3G2.5 ▶ EDV (UPS)



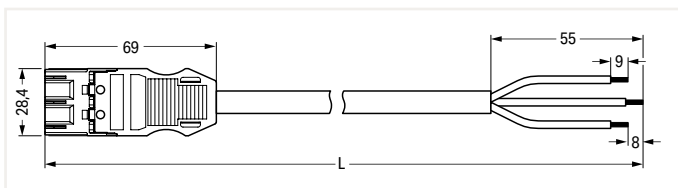
Interconnecting cable ▶ Socket - Plug

Total length	Connector color/Strain relief color		PU
	red/black	red/white	
1 m	771-9973/007-101	771-9973/007-102	1
2 m	771-9973/007-201	771-9973/007-202	1
3 m	771-9973/007-301	771-9973/007-302	1
4 m	771-9973/007-401	771-9973/007-402	1
5 m	771-9973/007-501	771-9973/007-502	1
6 m	771-9973/007-601	771-9973/007-602	1
7 m	771-9973/007-701	771-9973/007-702	1
8 m	771-9973/007-801	771-9973/007-802	1



Connecting cable ▶ Socket - Free end ▶ Strip length (outer insulation): 55 mm

Total length	Connector color/Strain relief color		PU
	red/black	red/white	
1 m	771-9973/107-101	771-9973/107-102	1
2 m	771-9973/107-201	771-9973/107-202	1
3 m	771-9973/107-301	771-9973/107-302	1
4 m	771-9973/107-401	771-9973/107-402	1
5 m	771-9973/107-501	771-9973/107-502	1
6 m	771-9973/107-601	771-9973/107-602	1
7 m	771-9973/107-701	771-9973/107-702	1
8 m	771-9973/107-801	771-9973/107-802	1



Connecting cable ▶ Plug - Free end ▶ Strip length (outer insulation): 55 mm

Total length	Connector color/Strain relief color		PU
	red/black	red/white	
1 m	771-9973/207-101	771-9973/207-102	1
2 m	771-9973/207-201	771-9973/207-202	1
3 m	771-9973/207-301	771-9973/207-302	1
4 m	771-9973/207-401	771-9973/207-402	1
5 m	771-9973/207-501	771-9973/207-502	1
6 m	771-9973/207-601	771-9973/207-602	1
7 m	771-9973/207-701	771-9973/207-702	1
8 m	771-9973/207-801	771-9973/207-802	1

Accessories; for all products on this page



Locking lever; for flying leads; manually operated		
Color	Item No.	PU (SPU)
● black	770-101	100 (25)
○ white	770-121	100 (25)



Locking lever; for flying leads; tool operated		
Color	Item No.	PU (SPU)
● black	770-111	100 (25)
○ white	770-131	100 (25)



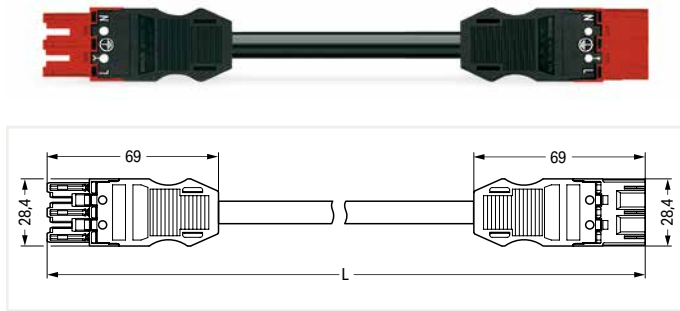
Mounting carrier; for flying leads; 2- to 5-pole		
Color	Item No.	PU
● black	770-310	25

PU = Packaging Unit; SPU = Subpackaging Unit; Dimensions in mm

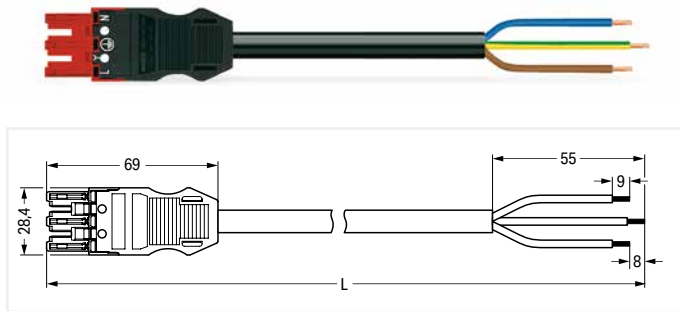
## Cable Assembly ▶ WINSTA® MIDI ▶ 771 Series

Pole No.: 3 ▶ Protection type: IP20 ▶ Fire class per EN 50575: E<sub>ca</sub> ▶ Coding: P ▶ 2.5 mm<sup>2</sup> ▶ Marking: L ⊕ N ▶ Halogen-free ▶ Sheathed cable diameter: 9.2 ... 11.4 mm ▶ H05Z1Z1-F 3G2.5 ▶ EDV (UPS)

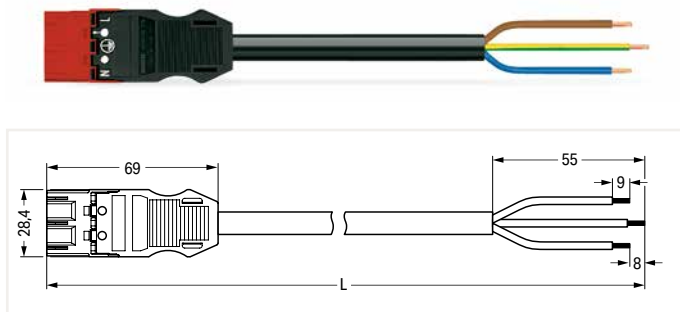
2



Interconnecting cable ▶ Socket - Plug			
Total length	Connector color/Strain relief color		PU
	red/black	red/white	
1 m	771-9973/017-101	771-9973/017-102	1
2 m	771-9973/017-201	771-9973/017-202	1
3 m	771-9973/017-301	771-9973/017-302	1
4 m	771-9973/017-401	771-9973/017-402	1
5 m	771-9973/017-501	771-9973/017-502	1
6 m	771-9973/017-601	771-9973/017-602	1
7 m	771-9973/017-701	771-9973/017-702	1
8 m	771-9973/017-801	771-9973/017-802	1



Connecting cable ▶ Socket - Free end ▶ Strip length (outer insulation): 55 mm			
Total length	Connector color/Strain relief color		PU
	red/black	red/white	
1 m	771-9973/117-101	771-9973/117-102	1
2 m	771-9973/117-201	771-9973/117-202	1
3 m	771-9973/117-301	771-9973/117-302	1
4 m	771-9973/117-401	771-9973/117-402	1
5 m	771-9973/117-501	771-9973/117-502	1
6 m	771-9973/117-601	771-9973/117-602	1
7 m	771-9973/117-701	771-9973/117-702	1
8 m	771-9973/117-801	771-9973/117-802	1



Connecting cable ▶ Plug - Free end ▶ Strip length (outer insulation): 55 mm			
Total length	Connector color/Strain relief color		PU
	red/black	red/white	
1 m	771-9973/217-101	771-9973/217-102	1
2 m	771-9973/217-201	771-9973/217-202	1
3 m	771-9973/217-301	771-9973/217-302	1
4 m	771-9973/217-401	771-9973/217-402	1
5 m	771-9973/217-501	771-9973/217-502	1
6 m	771-9973/217-601	771-9973/217-602	1
7 m	771-9973/217-701	771-9973/217-702	1
8 m	771-9973/217-801	771-9973/217-802	1

### Accessories; for all products on this page



Locking lever; for flying leads; manually operated		
Color	Item No.	PU (SPU)
● black	770-101	100 (25)
○ white	770-121	100 (25)



Locking lever; for flying leads; tool operated		
Color	Item No.	PU (SPU)
● black	770-111	100 (25)
○ white	770-131	100 (25)

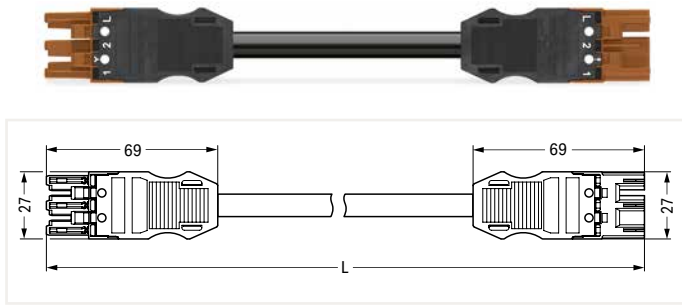


Mounting carrier; for flying leads; 2- to 5-pole		
Color	Item No.	PU
● black	770-310	25

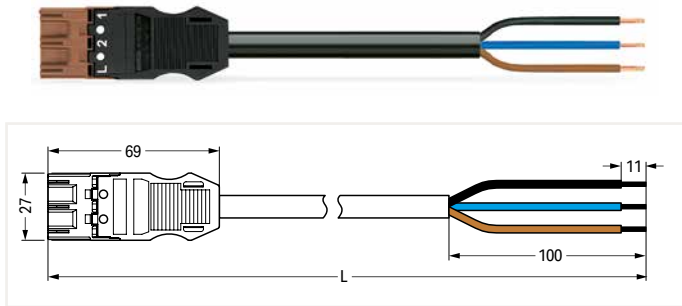
PU = Packaging Unit; SPU = Subpackaging Unit; Dimensions in mm

### Cable Assembly ▶ WINSTA® MIDI ▶ 771 Series

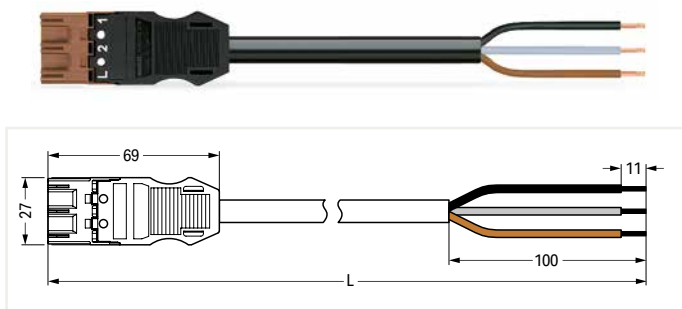
Pole No.: 3 ▶ Protection type: IP20 ▶ Fire class per EN 50575: E<sub>ca</sub> ▶ Coding: S ▶ 1.5 mm<sup>2</sup> ▶ Marking: 1 2 L ▶ PVC ▶ Sheathed cable diameter: 7.4 ... 9.4 mm ▶ H05VV-F 3x1.5 ▶ Switching function



Interconnecting cable ▶ Socket - Plug				
Total length	Connector color/Strain relief color			PU
	brown/black			
1 m	771-9973/006-105			1
2 m	771-9973/006-205			1
3 m	771-9973/006-305			1
4 m	771-9973/006-405			1
5 m	771-9973/006-505			1
6 m	771-9973/006-605			1
7 m	771-9973/006-705			1
8 m	771-9973/006-805			1



Connecting cable ▶ Plug - Free end ▶ Strip length (outer insulation): 100 mm ▶ for distribution connectors (motion sensors)				
Total length	Connector color/Strain relief color			PU
	brown/black			
1 m	771-9973/206-104			1
2 m	771-9973/206-204			1
3 m	771-9973/206-304			1
4 m	771-9973/206-404			1
5 m	771-9973/206-504			1
6 m	771-9973/206-604			1
7 m	771-9973/206-704			1
8 m	771-9973/206-804			1



Connecting cable ▶ Plug - Free end ▶ Strip length (outer insulation): 100 mm ▶ for distribution connectors; series and two-way circuits				
Total length	Connector color/Strain relief color			PU
	brown/black			
1 m	771-9973/206-105			1
2 m	771-9973/206-205			1
3 m	771-9973/206-305			1
4 m	771-9973/206-405			1
5 m	771-9973/206-505			1
6 m	771-9973/206-605			1
7 m	771-9973/206-705			1
8 m	771-9973/206-805			1

2

Accessories; for all products on this page



Locking lever; for flying leads; manually operated		
Color	Item No.	PU (SPU)
● black	770-101	100 (25)
○ white	770-121	100 (25)



Locking lever; for flying leads; tool operated		
Color	Item No.	PU (SPU)
● black	770-111	100 (25)
○ white	770-131	100 (25)



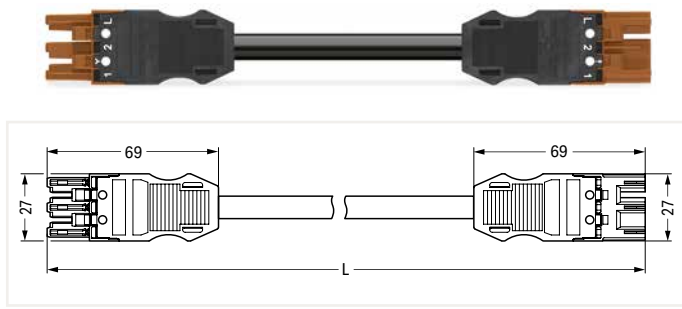
Mounting carrier; for flying leads; 2- to 5-pole		
Color	Item No.	PU
● black	770-310	25

PU = Packaging Unit; SPU = Subpackaging Unit; Dimensions in mm

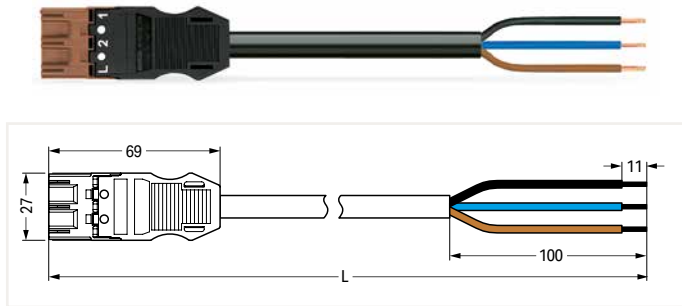
## Cable Assembly ▶ WINSTA® MIDI ▶ 771 Series

Pole No.: 3 ▶ Protection type: IP20 ▶ Fire class per EN 50575: E<sub>ca</sub> ▶ Coding: S ▶ 1.5 mm<sup>2</sup> ▶ Marking: 1 2 L ▶ Halogen-free ▶ Sheathed cable diameter: 7.4 ... 9.4 mm ▶ H05Z1Z1-F 3x1.5 ▶ Switching function

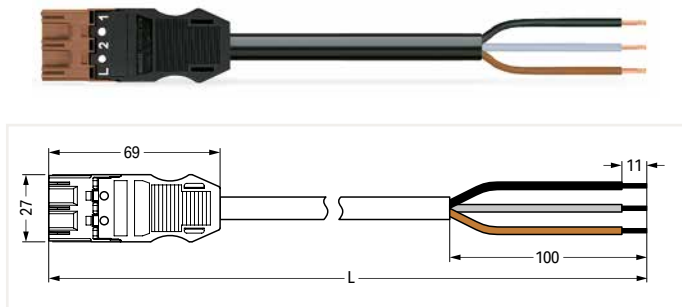
2



Interconnecting cable ▶ Socket - Plug			
Total length	Connector color/Strain relief color		PU
	brown/black		
1 m	771-9973/016-105		1
2 m	771-9973/016-205		1
3 m	771-9973/016-305		1
4 m	771-9973/016-405		1
5 m	771-9973/016-505		1
6 m	771-9973/016-605		1
7 m	771-9973/016-705		1
8 m	771-9973/016-805		1



Connecting cable ▶ Plug - Free end ▶ Strip length (outer insulation): 100 mm ▶ for distribution connectors (motion sensors)			
Total length	Connector color/Strain relief color		PU
	brown/black		
1 m	771-9973/216-104		1
2 m	771-9973/216-204		1
3 m	771-9973/216-304		1
4 m	771-9973/216-404		1
5 m	771-9973/216-504		1
6 m	771-9973/216-604		1
7 m	771-9973/216-704		1
8 m	771-9973/216-804		1



Connecting cable ▶ Plug - Free end ▶ Strip length (outer insulation): 100 mm ▶ for distribution connectors; series and two-way circuits			
Total length	Connector color/Strain relief color		PU
	brown/black		
1 m	771-9973/216-105		1
2 m	771-9973/216-205		1
3 m	771-9973/216-305		1
4 m	771-9973/216-405		1
5 m	771-9973/216-505		1
6 m	771-9973/216-605		1
7 m	771-9973/216-705		1
8 m	771-9973/216-805		1

### Accessories; for all products on this page



Locking lever; for flying leads; manually operated		
Color	Item No.	PU (SPU)
● black	770-101	100 (25)
○ white	770-121	100 (25)



Locking lever; for flying leads; tool operated		
Color	Item No.	PU (SPU)
● black	770-111	100 (25)
○ white	770-131	100 (25)



Mounting carrier; for flying leads; 2- to 5-pole		
Color	Item No.	PU
● black	770-310	25

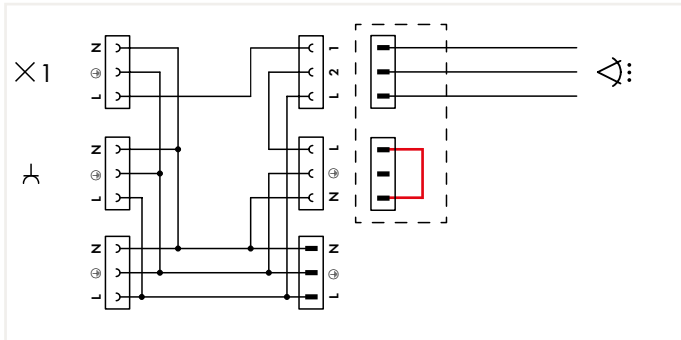
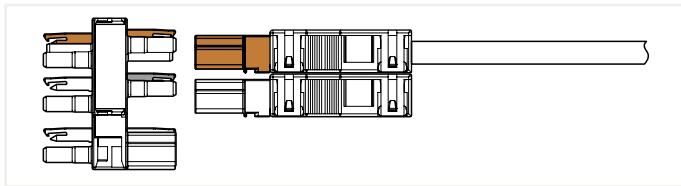
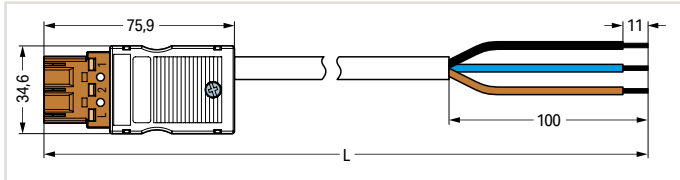
PU = Packaging Unit; SPU = Subpackaging Unit; Dimensions in mm

### Cable Assembly ▶ WINSTA® MIDI ▶ 771 Series

No. of poles: 3 ▶ Protection type: IP20 ▶ Fire class per EN 50575: E<sub>ca</sub> ▶ Coding: A + S ▶ 1.5 mm<sup>2</sup> ▶ PVC ▶ Sheathed cable diameter: 7.4 ... 9.4 ▶ H05VV-F 3x1.5 ▶ Switching function



Connecting cable ▶ plug/plug – free end			
Length	Connector color/Strain relief color		PU
	black/black		
3 m	771-5001/106-000		1
4 m	771-5001/107-000		1



This cable combines a standard S-coded cable with an A-coded shorting plug. Both strain relief housings are locked together.  
 A motion detector or switch with signal lamp can be directly connected using a cable equipped with 770-637 Distribution Connector.

2

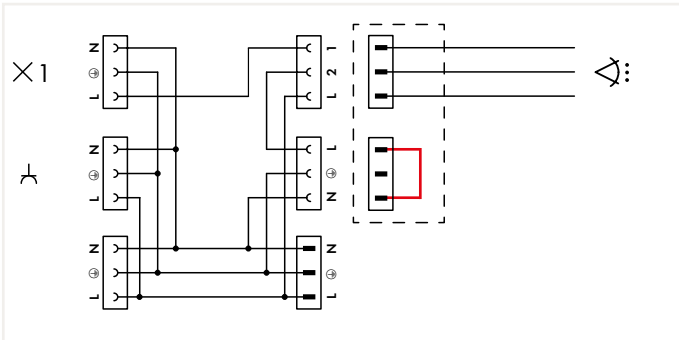
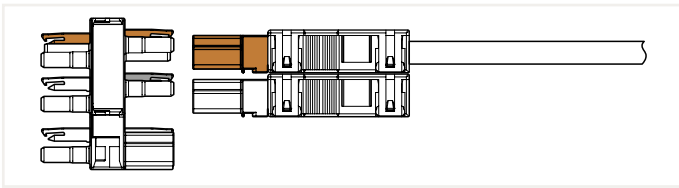
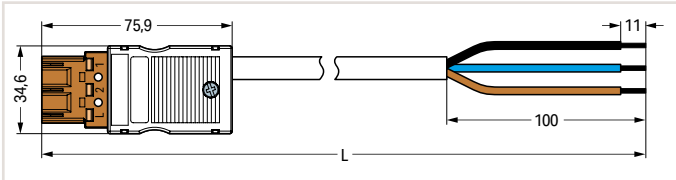
### Cable Assembly ▶ WINSTA® MIDI ▶ 771 Series

No. of poles: 3 ▶ Protection type: IP20 ▶ Fire class per EN 50575: E<sub>ca</sub> ▶ Coding: A + S ▶ 1.5 mm<sup>2</sup> ▶ Halogen-free ▶ Sheathed cable diameter: 7.4 ... 9.4 ▶ H05VV-F 3x1.5 ▶ Switching function



Connecting cable ▶ plug/plug – free end			
Length	Connector color/Strain relief color		PU
	black/black		
3 m	771-5001/131-000		1
4 m	771-5001/132-000		1

2



This cable combines a standard S-coded cable with an A-coded shorting plug. Both strain relief housings are locked together. A motion detector or switch with signal lamp can be directly connected using a cable equipped with 770-637 Distribution Connector.





**Pluggable Connector ▶ WINSTA® MIDI ▶ 770 Series**

Pole No.: 4 ▶ Number of connection points: 2 ▶ Protection type: IP20



- Protected against mismatching and maintenance-free
- Push-in CAGE CLAMP® spring pressure connection technology allows solid conductors to be simply pushed into a unit
- Two-wire connection per pole for loops or bridges
- Additional variable coding is possible

Electrical Data						
Coding	A;B			Q		
Ratings per	IEC/EN 60664-1			IEC/EN 60664-1		
Overvoltage category	III	III	II	III	III	II
Pollution degree	3	2	2	3	2	2
Rated voltage	400 V	-	-	400 V	-	-
Rated impulse voltage	6 kV	-	-	6 kV	-	-
Rated current	25 A	-	-	32 A	-	-
Approbations per	UL 1977			UL 1977		
Rated voltage	600 V			600 V		
Rated current	23 A			23 A		

Connection Data	
Connection technology	Push-in CAGE CLAMP®
Strip length	9 mm / 0.35 inch
Nominal cross-section	4 mm <sup>2</sup>
Solid conductor	0.5 ... 4 mm <sup>2</sup> / 20 ... 12 AWG
Solid conductor; push-in termination	1.5 ... 4 mm <sup>2</sup> / 16 ... 12 AWG
Stranded conductor	0.5 ... 2.5 mm <sup>2</sup> / 20 ... 14 AWG
Fine-stranded conductor	0.5 ... 4 mm <sup>2</sup> / 20 ... 12 AWG
Fine-stranded conductor; with insulated ferrule	0.25 ... 1.5 mm <sup>2</sup> / 20 ... 16 AWG
Fine-stranded conductor; with uninsulated ferrule	0.25 ... 2.5 mm <sup>2</sup> / 20 ... 14 AWG
Fine-stranded conductor; with ferrule; push-in termination	1.5 mm <sup>2</sup> / 16 AWG

Material Data	
Insulation material	Polyamide (PA66)
Clamping spring material	Chrome nickel spring steel (CrNi)
Contact material	Copper or copper alloy (surface-treated)

Mechanical Data	
Number of mating cycles	200, without resistive load
Mating force of a plug-in connection	approx. 20 ... 70 N (depending on pole number)
Unmating force of a plug-in connection	Unlocked: approx. 20 ... 70 N (depending on pole number)
Retention force of a plug-in connection	Locked: > 80 N
Protection type	IP20
Note on protection type	When mated and secured with a strain relief housing: IP2xC (These compact connectors are not designed for use in open, easily accessible areas!)

Environmental Requirements	
Processing temperature	-5 ... +40 °C
Continuous operating temperature	-35 ... +85 °C
Note on continuous operating temperature	Insulating parts for temperatures ≤ 105 °C

All WINSTA® components are 100% protected against mismatching when:

- plugging different numbers of poles
- plugging while rotated 180
- plugging while laterally staggered
- plugging one pole

Cover [Page 380](#)

Marking [Page 405](#)

Tool [Page 400](#)

See technical section for further information

For approvals and corresponding ratings, visit [www.wago.com](http://www.wago.com)

# Pluggable Connector ▶ WINSTA® MIDI ▶ 770 Series

Pole No.: 4 ▶ Number of connection points: 2 ▶ Protection type: IP20

Strain relief housing ▶ Female connector/socket ▶ Strip length (outer insulation): 55 mm ▶ Connectable sheathed cable diameter : 9 ... 13 mm

Strain relief housing ▶ Male connector/plug ▶ Strip length (outer insulation): 55 mm ▶ Connectable sheathed cable diameter : 9 ... 13 mm



770-104

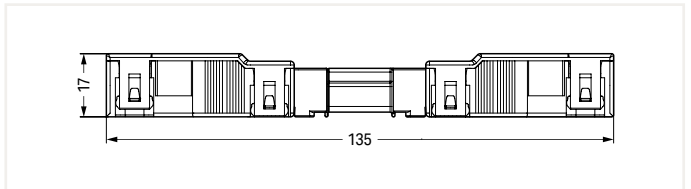
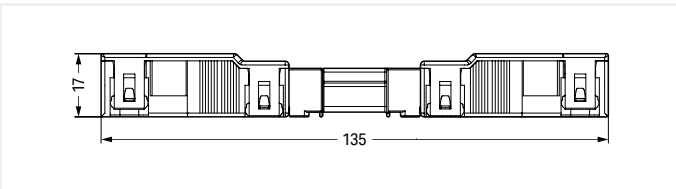
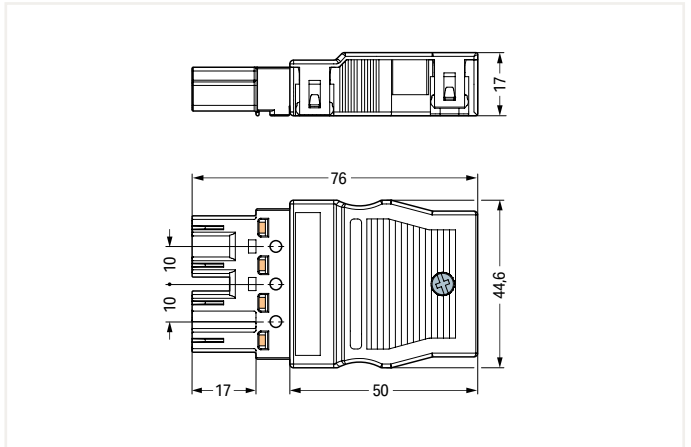
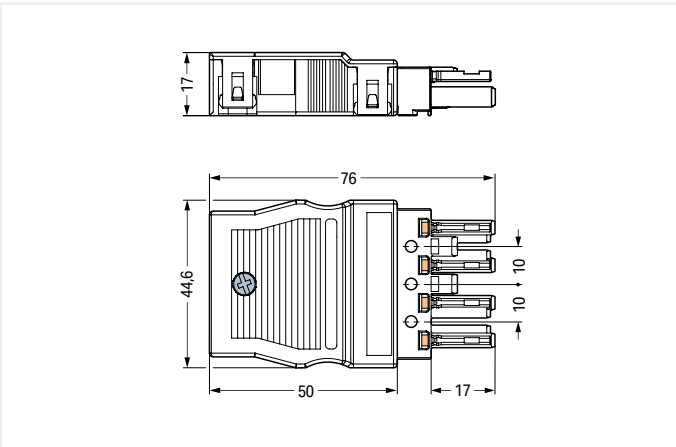
770-114

**General mains applications**

Color	Coding	Marking	Item No.	PU
● black	A	N ⊕ 2/L 1/L'	770-104	25
○ white	A	N ⊕ 2/L 1/L'	770-124	25

**General mains applications**

Color	Coding	Marking	Item No.	PU
● black	A	N ⊕ 2/L 1/L'	770-114	25
○ white	A	N ⊕ 2/L 1/L'	770-134	25



Overall length when mated

Overall length when mated

**Item-Specific Accessories**



Lockout cap; for socket; separable; Pole No.: 12

Color	Item No.	PU
● black	770-201	100
○ white	770-221	100



Lockout cap; for plugs; separable; Pole No.: 5

Color	Item No.	PU
● yellow	770-360	100

**Accessories; for all products on this page**



Locking lever; for flying leads; manually operated

Color	Item No.	PU (SPU)
● black	770-101	100 (25)
○ white	770-121	100 (25)



Locking lever; for flying leads; tool operated

Color	Item No.	PU (SPU)
● black	770-111	100 (25)
○ white	770-131	100 (25)

PU = Packaging Unit; SPU = Subpackaging Unit; Dimensions in mm

# Pluggable Connector ▶ WINSTA® MIDI ▶ 770 Series

Pole No.: 4 ▶ Number of connection points: 2 ▶ Protection type: IP20

Female connector/socket



770-204

**General mains applications**

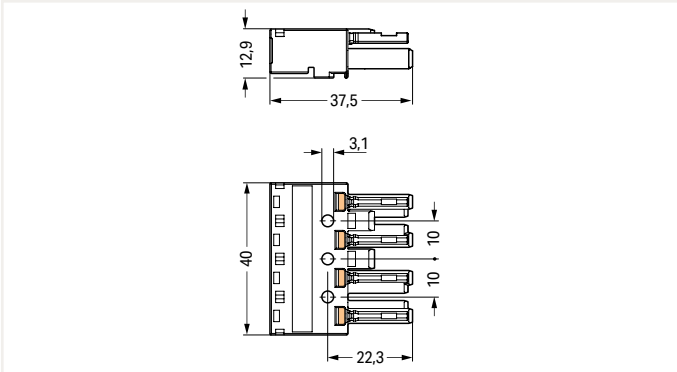
Color	Coding	Marking	Item No.	PU
● black	A	N ⊕ 2/L 1/L'	770-204	50
○ white	A	N ⊕ 2/L 1/L'	770-224	50

**For „Clean Ground“ applications**

Color	Coding	Marking	Item No.	PU
● green	Q	N PE1 PE2 L	770-1324	50

**Measurement and regulation technology**

Color	Coding	Marking	Item No.	PU
● gray	B	1 2 3 4	770-244	50
● gray	B	N ⊕ 2/L 1/L'	770-244/060-000	50
● gray	B	3 ⊕ 2 1	770-244/062-000	50
● gray	B	2L ⊕ 1L L	770-244/064-000	50
● light green	B	1 2 3 4	770-264	50
● light green	B	U- S U+ X/Y	770-264/071-000	50
● light green	B	U- U+ DI AI	770-264/072-000	50
● light green	B	1 ⊕ 2 3	770-264/073-000	50
● pink	B	1 2 3 4	770-284	50
● pink	B	1 2 5 3	770-284/081-000	50



**Accessories; for all products on this page**



Locking lever; for flying leads; manually operated

Color	Item No.	PU (SPU)
● black	770-101	100 (25)
○ white	770-121	100 (25)



Locking lever; for flying leads; tool operated

Color	Item No.	PU (SPU)
● black	770-111	100 (25)
○ white	770-131	100 (25)



Lockout cap; for socket; separable; Pole No.: 12

Color	Item No.	PU
● black	770-201	100
○ white	770-221	100



Strain relief housing; Connectable sheathed cable diameter: 9 ... 13 mm; Strip length (outer insulation): 55 mm

Color	Item No.	PU
● black	770-504	25
○ white	770-514	25



Strain relief housing; Connectable sheathed cable diameter: 5 ... 9 mm; Strip length (outer insulation): 55 mm

Color	Item No.	PU
● black	770-504/023-000	25
○ white	770-514/023-000	25

PU = Packaging Unit; SPU = Subpackaging Unit; Dimensions in mm

# Pluggable Connector ▶ WINSTA® MIDI ▶ 770 Series

Pole No.: 4 ▶ Number of connection points: 2 ▶ Protection type: IP20

Male connector/plug



770-214

**General mains applications**

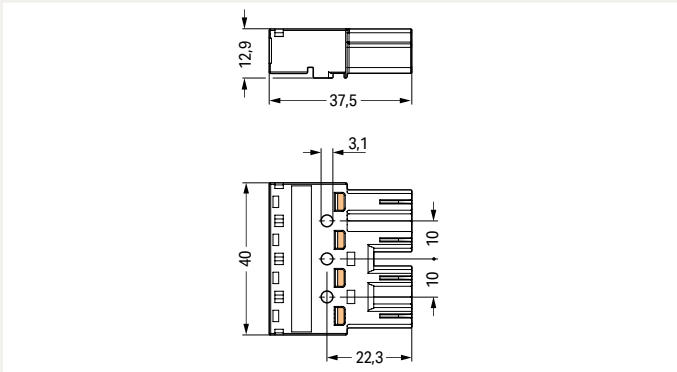
Color	Coding	Marking	Item No.	PU
● black	A	N ⊕ 2/L 1/L'	770-214	50
○ white	A	N ⊕ 2/L 1/L'	770-234	50

**For „Clean Ground“ applications**

Color	Coding	Marking	Item No.	PU
● green	Q	N PE1 PE2 L	770-1334	50

**Measurement and regulation technology**

Color	Coding	Marking	Item No.	PU
● gray	B	1 2 3 4	770-254	50
● gray	B	N ⊕ 2/L 1/L'	770-254/060-000	50
● gray	B	3 ⊕ 2 1	770-254/062-000	50
● gray	B	2L ⊕ 1L L	770-254/064-000	50
● light green	B	1 2 3 4	770-274	50
● light green	B	U- S U+ X/Y	770-274/071-000	50
● light green	B	U- U+ DI AI	770-274/072-000	50
● light green	B	1 ⊕ 2 3	770-274/073-000	50
● pink	B	1 2 3 4	770-294	50
● pink	B	1 2 5 3	770-294/081-000	50



**Accessories; for all products on this page**



Locking lever; for flying leads; manually operated

Color	Item No.	PU (SPU)
● black	770-101	100 (25)
○ white	770-121	100 (25)



Locking lever; for flying leads; tool operated

Color	Item No.	PU (SPU)
● black	770-111	100 (25)
○ white	770-131	100 (25)



Lockout cap; for plugs; separable; Pole No.: 5

Color	Item No.	PU
● yellow	770-360	100



Strain relief housing; Connectable sheathed cable diameter: 9 ... 13 mm; Strip length (outer insulation): 55 mm

Color	Item No.	PU
● black	770-504	25
○ white	770-514	25



Strain relief housing; Connectable sheathed cable diameter: 5 ... 9 mm; Strip length (outer insulation): 55 mm

Color	Item No.	PU
● black	770-504/023-000	25
○ white	770-514/023-000	25

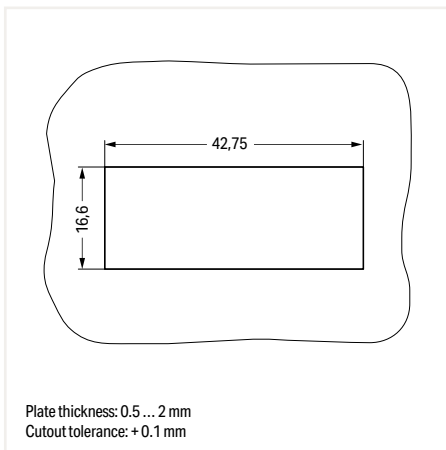
PU = Packaging Unit; SPU = Subpackaging Unit; Dimensions in mm

**Snap-in Device Connector ▶ WINSTA® MIDI ▶ 770 Series**

Pole No.: 4 ▶ Number of connection points: 2 ▶ Protection type: IP20



- Protected against mismatching and maintenance-free
- Push-in CAGE CLAMP® spring pressure connection technology allows solid conductors to be simply pushed into a unit.
- Two wire connections per pole for loops or bridges
- Additional variable coding is possible.



Electrical Data						
Coding	A;B			Q		
Ratings per	IEC/EN 60664-1			IEC/EN 60664-1		
Overvoltage category	III	III	II	III	III	II
Pollution degree	3	2	2	3	2	2
Rated voltage	400 V	-	-	400 V	-	-
Rated impulse voltage	6 kV	-	-	6 kV	-	-
Rated current	25 A	-	-	32 A	-	-
Approbations per	UL 1977			UL 1977		
Rated voltage	600 V			600 V		
Rated current	23 A			23 A		

Connection Data	
Connection technology	Push-in CAGE CLAMP®
Strip length	9 mm / 0.35 inch
Nominal cross-section	4 mm <sup>2</sup>
Solid conductor	0.5 ... 4 mm <sup>2</sup> / 20 ... 12 AWG
Solid conductor; push-in termination	1.5 ... 4 mm <sup>2</sup> / 16 ... 12 AWG
Stranded conductor	0.5 ... 2.5 mm <sup>2</sup> / 20 ... 14 AWG
Fine-stranded conductor	0.5 ... 4 mm <sup>2</sup> / 20 ... 12 AWG
Fine-stranded conductor; with insulated ferrule	0.25 ... 1.5 mm <sup>2</sup> / 20 ... 16 AWG
Fine-stranded conductor; with uninsulated ferrule	0.25 ... 2.5 mm <sup>2</sup> / 20 ... 14 AWG
Fine-stranded conductor; with ferrule; push-in termination	1.5 mm <sup>2</sup> / 16 AWG

Material Data	
Insulation material	Polyamide (PA66)
Clamping spring material	Chrome nickel spring steel (CrNi)
Contact material	Copper or copper alloy (surface-treated)

Mechanical Data	
Number of mating cycles	200, without resistive load
Mating force of a plug-in connection	approx. 20 ... 70 N (depending on pole number)
Unmating force of a plug-in connection	Unlocked: approx. 20 ... 70 N (depending on pole number)
Retention force of a plug-in connection	Locked: > 80 N
Protection type	IP20
Note on protection type	When mated: IP2xC (These compact connectors are not designed for use in open, easily accessible areas!)

Environmental Requirements	
Processing temperature	-5 ... +40 °C
Continuous operating temperature	-35 ... +85 °C
Note on continuous operating temperature	Insulating parts for temperatures ≤ 105 °C

All WINSTA® components are 100% protected against mismatching when:

- plugging different numbers of poles
- plugging while rotated 180
- plugging while laterally staggered
- plugging one pole

Coding Page 379

Tool Page 400

See technical section for further information

For approvals and corresponding ratings, visit [www.wago.com](http://www.wago.com)

## Snap-in Device Connector ▶ WINSTA® MIDI ▶ 770 Series

Pole No.: 4 ▶ Number of connection points: 2 ▶ Protection type: IP20

Female connector/socket



770-704

## General mains applications

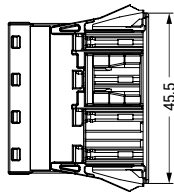
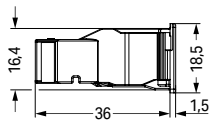
Color	Coding	Marking	Item No.	PU
● black	A	N ⊕ 2/L 1/L'	770-704	100
○ white	A	N ⊕ 2/L 1/L'	770-724	100

## Measurement and regulation technology

Color	Coding	Marking	Item No.	PU
● gray	B	1 2 3 4	770-744	100
● gray	B	N ⊕ 2/L 1/L'	770-744/060-000	100
● gray	B	3 ⊕ 2 1	770-744/062-000	100
● gray	B	2L ⊕ 1LL	770-744/064-000	100
● light green	B	1 2 3 4	770-764	100
● light green	B	U- S U+ X/Y	770-764/071-000	100
● light green	B	U- U+ DI AI	770-764/072-000	100
● light green	B	1 ⊕ 2 3	770-764/073-000	100
● pink	B	1 2 3 4	770-784	100
● pink	B	1 2 5 3	770-784/081-000	100

## For „Clean Ground“ applications

Color	Coding	Marking	Item No.	PU
● green	Q	N PE1 PE2 L	770-2324	100



## Accessories; for all products on this page



Lockout cap; for socket; separable; Pole No.: 12

Color	Item No.	PU
● black	770-201	100
○ white	770-221	100

Lockout cap; for cutout; Pole No.: 4

Color	Item No.	PU
● black	770-644	100
○ white	770-694	100

PU = Packaging Unit; SPU = Subpackaging Unit; Dimensions in mm

# Snap-in Device Connector ▶ WINSTA® MIDI ▶ 770 Series

Pole No.: 4 ▶ Number of connection points: 2 ▶ Protection type: IP20

Male connector/plug



770-714

### General mains applications

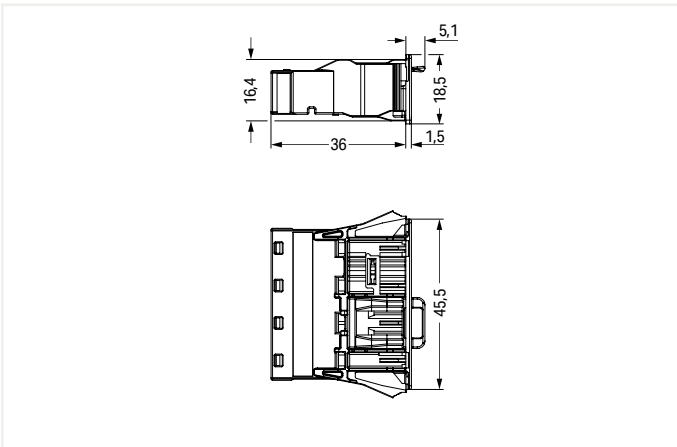
Color	Coding	Marking	Item No.	PU
● black	A	N ⊕ 2/L 1/L'	770-714	100
○ white	A	N ⊕ 2/L 1/L'	770-734	100

### Measurement and regulation technology

Color	Coding	Marking	Item No.	PU
● gray	B	1 2 3 4	770-754	100
● gray	B	N ⊕ 2/L 1/L'	770-754/060-000	100
● gray	B	3 ⊕ 2 1	770-754/062-000	100
● gray	B	2L ⊕ 1L L	770-754/064-000	100
● light green	B	1 2 3 4	770-774	100
● light green	B	U- S U+ X/Y	770-774/071-000	100
● light green	B	U- U+ DI AI	770-774/072-000	100
● light green	B	1 ⊕ 2 3	770-774/073-000	100
● pink	B	1 2 3 4	770-794	100
● pink	B	1 2 5 3	770-794/081-000	100

### For „Clean Ground“ applications

Color	Coding	Marking	Item No.	PU
● green	Q	N PE1 PE2 L	770-2334	100



### Accessories; for all products on this page



Lockout cap; for plugs; separable; Pole No.: 5		
Color	Item No.	PU
● yellow	770-360	100



Lockout cap; for cutout; Pole No.: 4		
Color	Item No.	PU
● black	770-644	100
○ white	770-694	100

PU = Packaging Unit; SPU = Subpackaging Unit; Dimensions in mm

# Snap-in Device Connector ▶ WINSTA® MIDI ▶ 770 Series

Pole No.: 4 ▶ Number of connection points: 2 ▶ Protection type: IP20

with protruding interface ▶ Female connector/socket

with direct ground contact ▶ Male connector/plug



770-704/009-000



770-714/007-000

General mains applications

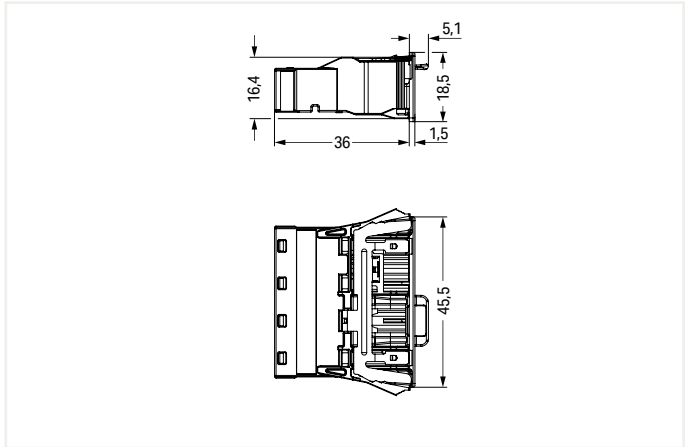
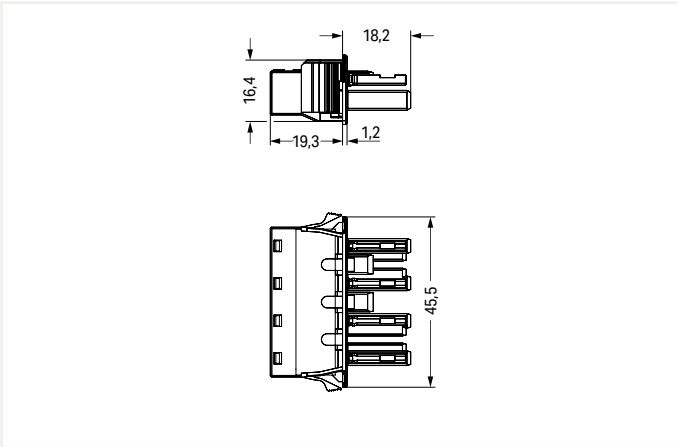
Color	Coding	Marking	Item No.	PU
● black	A	N ⊕ 2/L 1/L'	770-704/009-000	100
○ white	A	N ⊕ 2/L 1/L'	770-724/009-000	100

General mains applications

Color	Coding	Marking	Item No.	PU
● black	A	N ⊕ 2/L 1/L'	770-714/007-000	100
○ white	A	N ⊕ 2/L 1/L'	770-734/007-000	100

For „Clean Ground“ applications

Color	Coding	Marking	Item No.	PU
● green	Q	N PE1 PE2 L	770-2334/007-000	100



Item-Specific Accessories



Lockout cap; for socket; separable; Pole No.: 12

Color	Item No.	PU
● black	770-201	100
○ white	770-221	100

Item-Specific Accessories



Lockout cap; for plugs; separable; Pole No.: 5

Color	Item No.	PU
● yellow	770-360	100

Accessories; for all products on this page



Lockout cap; for cutout; Pole No.: 4

Color	Item No.	PU
● black	770-644	100
○ white	770-694	100

PU = Packaging Unit; SPU = Subpackaging Unit; Dimensions in mm



## Pluggable PCB Connector ▶ WINSTA® MIDI ▶ 770 Series

Pole No.: 4



- Protected against mismatching and maintenance-free
- Push-in CAGE CLAMP® spring pressure connection technology allows solid conductors to be simply pushed into a unit.
- Two wire connections per pole for loops or bridges
- Additional variable coding is possible.

Electrical Data			
<b>Coding</b>	A;B		
Ratings per	IEC/EN 60664-1		
Overvoltage category	III	III	II
Pollution degree	3	2	2
Rated voltage	400 V	-	-
Rated impulse voltage	6 kV	-	-
Rated current	25 A	-	-
<b>Approbations per</b>	UL 1977		
Rated voltage	600 V		
Rated current	23 A		

Material Data	
Insulation material	Polyamide (PA66)
Clamping spring material	Chrome nickel spring steel (CrNi)
Contact material	Copper or copper alloy (surface-treated)

Mechanical Data	
Solder pin arrangement	2 in-line solder pins/pole
Solder pin length	3.5 mm
Solder pin dimensions	1 x 0.8 mm
Drilled hole diameter with tolerance	1.5 <sup>(+0.1...+0.1)</sup> mm
Number of mating cycles	200, without resistive load
Mating force of a plug-in connection	approx. 20 ... 70 N (depending on pole number)
Unmating force of a plug-in connection	Unlocked: approx. 20 ... 70 N (depending on pole number)
Retention force of a plug-in connection	Locked: > 80 N

Environmental Requirements	
Processing temperature	-5 ... +40 °C
Continuous operating temperature	-35 ... +85 °C
Note on continuous operating temperature	Insulating parts for temperatures ≤ 105 °C

All WINSTA® components are 100% protected against mismatching when:

- plugging different numbers of poles
- plugging while rotated 180
- plugging while laterally staggered
- plugging one pole

Coding Page 379

See technical section for further information

For approvals and corresponding ratings, visit [www.wago.com](http://www.wago.com)

# Pluggable PCB Connector ▶ WINSTA® MIDI ▶ 770 Series

## Pole No.: 4

straight ▶ Female connector/socket



770-804

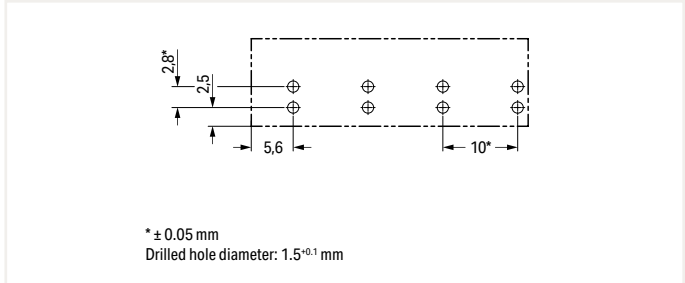
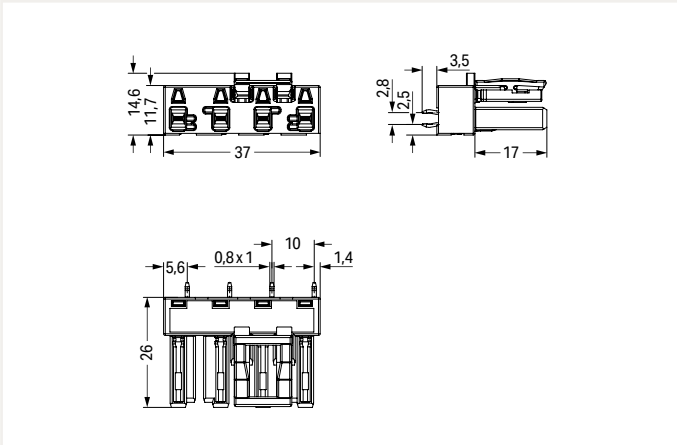
2

### General mains applications

Color	Coding	Marking	Item No.	PU
● black	A	N ⊕ 2/L 1/L'	770-804	50
○ white	A	N ⊕ 2/L 1/L'	770-824	50

### Measurement and regulation technology

Color	Coding	Marking	Item No.	PU
● gray	B	1 2 3 4	770-844	50
● gray	B	N ⊕ 2/L 1/L'	770-844/060-000	50
● gray	B	3 ⊕ 2 1	770-844/062-000	50
● gray	B	2L ⊕ 1LL	770-844/064-000	50
● light green	B	1 2 3 4	770-864	50
● light green	B	U- S U+ X/Y	770-864/071-000	50
● light green	B	U- U+ DI AI	770-864/072-000	50
● light green	B	1 ⊕ 2 3	770-864/073-000	50
● pink	B	1 2 3 4	770-884	50
● pink	B	1 2 5 3	770-884/081-000	50



### Accessories; for all products on this page



Lockout cap; for socket; separable; Pole No.: 12		
Color	Item No.	PU
● black	770-201	100
○ white	770-221	100

PU = Packaging Unit; SPU = Subpackaging Unit; Dimensions in mm

# Pluggable PCB Connector ▶ WINSTA® MIDI ▶ 770 Series

## Pole No.: 4

straight ▶ Male connector/plug



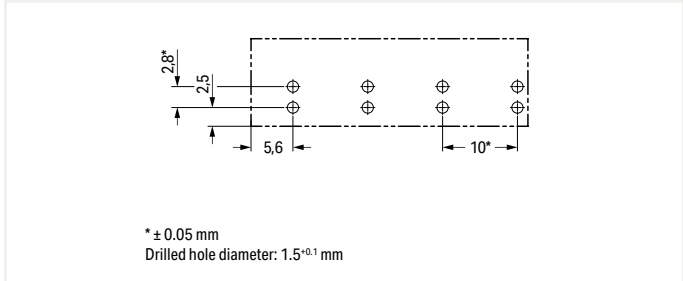
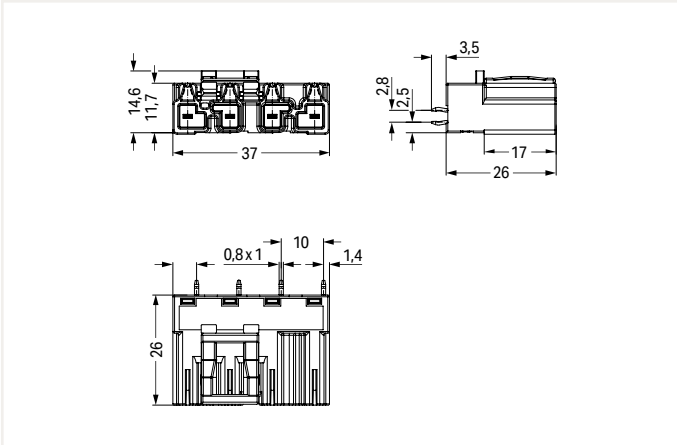
770-814

### General mains applications

Color	Coding	Marking	Item No.	PU
● black	A	N ⊕ 2/L 1/L'	770-814	50
○ white	A	N ⊕ 2/L 1/L'	770-834	50

### Measurement and regulation technology

Color	Coding	Marking	Item No.	PU
● gray	B	1 2 3 4	770-854	50
● gray	B	N ⊕ 2/L 1/L'	770-854/060-000	50
● gray	B	3 ⊕ 2 1	770-854/062-000	50
● gray	B	2L ⊕ 1L L	770-854/064-000	50
● light green	B	1 2 3 4	770-874	50
● light green	B	U- S U+ X/Y	770-874/071-000	50
● light green	B	U- U+ DI AI	770-874/072-000	50
● light green	B	1 ⊕ 2 3	770-874/073-000	50
● pink	B	1 2 3 4	770-894	50
● pink	B	1 2 5 3	770-894/081-000	50



### Accessories; for all products on this page



Lockout cap; for plugs; separable; Pole No.: 5

Color	Item No.	PU
● yellow	770-360	100

PU = Packaging Unit; SPU = Subpackaging Unit; Dimensions in mm

## Pluggable PCB Connector ▶ WINSTA® MIDI ▶ 770 Series

### Pole No.: 4

angled ▶ Female connector/socket



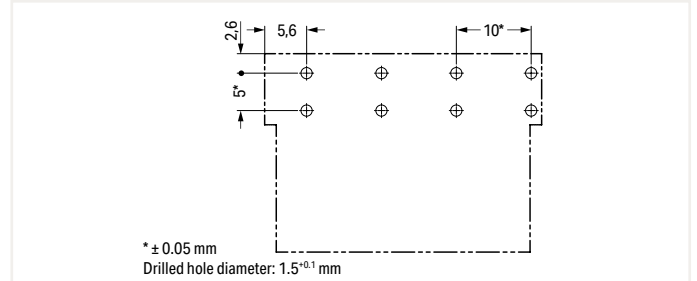
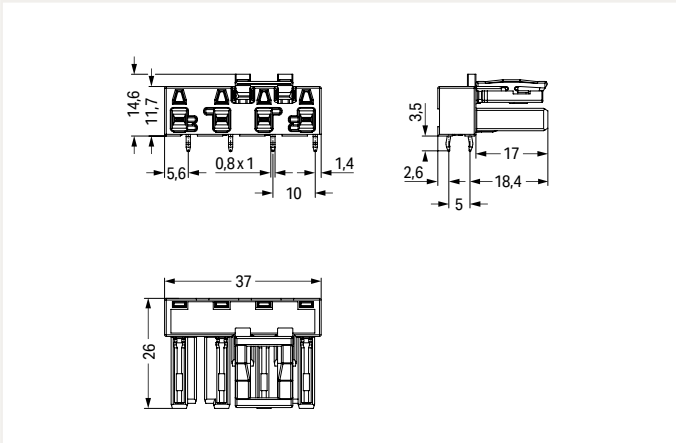
770-804/011-000

#### General mains applications

Color	Coding	Marking	Item No.	PU
● black	A	N ⊕ 2/L 1/L'	770-804/011-000	50
○ white	A	N ⊕ 2/L 1/L'	770-824/011-000	50

#### Measurement and regulation technology

Color	Coding	Marking	Item No.	PU
● gray	B	1 2 3 4	770-844/011-000	50
● gray	B	N ⊕ 2/L 1/L'	770-844/011-000/060-000	50
● gray	B	3 ⊕ 2 1	770-844/011-000/062-000	50
● gray	B	2L ⊕ 1LL	770-844/011-000/064-000	50
● light green	B	1 2 3 4	770-864/011-000	50
● light green	B	U- S U+ X/Y	770-864/011-000/071-000	50
● light green	B	U- U+ DI AI	770-864/011-000/072-000	50
● light green	B	1 ⊕ 2 3	770-864/011-000/073-000	50
● pink	B	1 2 3 4	770-884/011-000	50
● pink	B	1 2 5 3	770-884/011-000/081-000	50



#### Accessories; for all products on this page



Lockout cap; for socket; separable; Pole No.: 12

Color	Item No.	PU
● black	770-201	100
○ white	770-221	100

PU = Packaging Unit; SPU = Subpackaging Unit; Dimensions in mm

# Pluggable PCB Connector ▶ WINSTA® MIDI ▶ 770 Series

Pole No.: 4

angled ▶ Male connector/plug



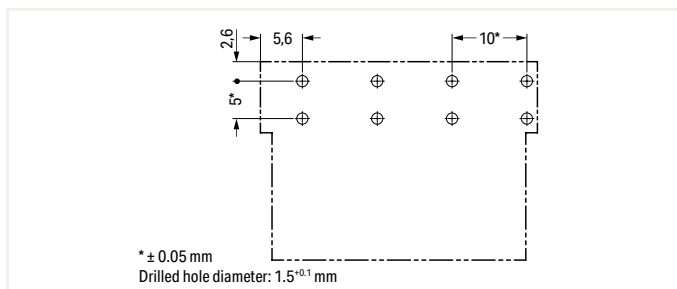
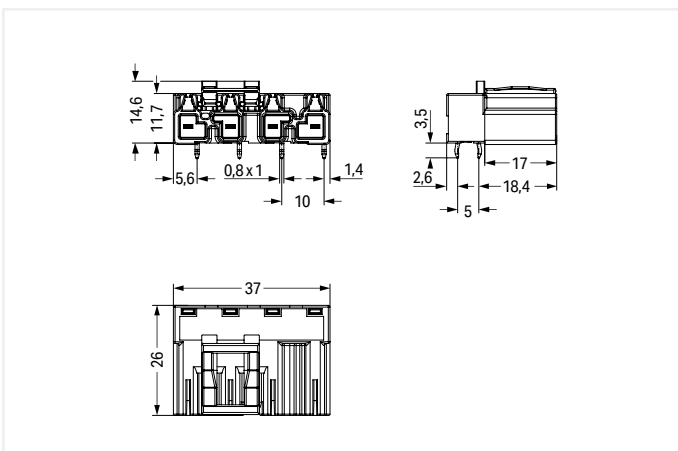
770-814/011-000

### General mains applications

Color	Coding	Marking	Item No.	PU
● black	A	N ⊕ 2/L 1/L'	770-814/011-000	50
○ white	A	N ⊕ 2/L 1/L'	770-834/011-000	50

### Measurement and regulation technology

Color	Coding	Marking	Item No.	PU
● gray	B	1 2 3 4	770-854/011-000	50
● gray	B	N ⊕ 2/L 1/L'	770-854/011-000/060-000	50
● gray	B	3 ⊕ 2 1	770-854/011-000/062-000	50
● gray	B	2L ⊕ 1L L	770-854/011-000/064-000	50
● light green	B	1 2 3 4	770-874/011-000	50
● light green	B	U- S U+ X/Y	770-874/011-000/071-000	50
● light green	B	U- U+ DI AI	770-874/011-000/072-000	50
● light green	B	1 ⊕ 2 3	770-874/011-000/073-000	50
● pink	B	1 2 3 4	770-894/011-000	50
● pink	B	1 2 5 3	770-894/011-000/081-000	50



### Accessories; for all products on this page



Lockout cap; for plugs; separable; Pole No.: 5

Color	Item No.	PU
● yellow	770-360	100

PU = Packaging Unit; SPU = Subpackaging Unit; Dimensions in mm



## Distribution Connector ▶ WINSTA® MIDI ▶ 770 Series

Pole No.: 4



- Protected against mismatching and maintenance-free
- Additional variable coding is possible.

Electrical Data			
Coding	A;B		
Ratings per	IEC/EN 60664-1		
Overvoltage category	III	III	II
Pollution degree	3	2	2
Rated voltage	400 V	-	-
Rated impulse voltage	6 kV	-	-
Rated current	25 A	-	-
Approbations per	UL 1977		
Rated voltage	600 V		
Rated current	23 A		

Material Data	
Insulation material	Polyamide (PA66)
Contact material	Copper or copper alloy (surface-treated)

Mechanical Data	
Number of mating cycles	200, without resistive load
Mating force of a plug-in connection	Approx. 20 ... 70 N (depending on pole number)
Unmating force of a plug-in connection	Unlocked: approx. 20 ... 70 N (depending on pole number)
Retention force of a plug-in connection	When locked: > 80 N
Protection type	IP20
Note on protection type	When mated: IP2xC (These compact connectors are not designed for use in open, easily accessible areas!)

Environmental Requirements	
Processing temperature	-5 ... +40 °C
Continuous operating temperature	-35 ... +85 °C
Note on continuous operating temperature	Insulating parts for temperatures ≤ 105 °C

All WINSTA® components are 100% protected against mismatching when:

- plugging different numbers of poles
- plugging while rotated 180
- plugging while laterally staggered
- plugging one pole

Coding Page 379

See technical section for further information

For approvals and corresponding ratings, visit [www.wago.com](http://www.wago.com)

# Distribution Connector ▶ WINSTA® MIDI ▶ 770 Series

## Pole No.: 4

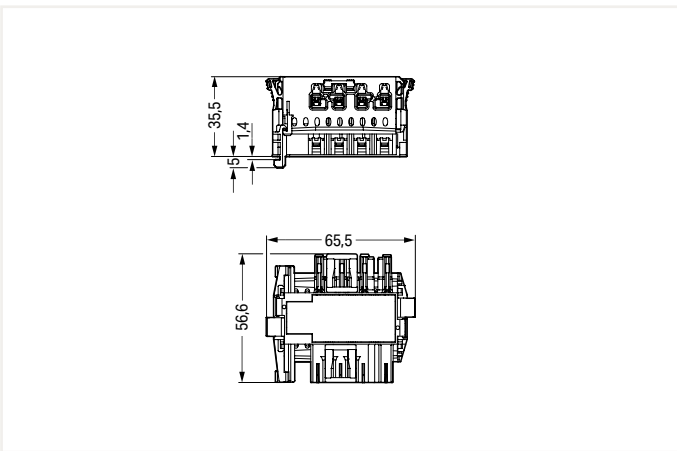
Linect® T-connector



770-6224

### General mains applications

Cover Color	Coding	Marking	Item No.	PU
○ white	A	N ⊕ 2/L 1/L'	770-6224	25



2

### Accessories; for all products on this page



Lockout cap; for socket; separable; Pole No.: 12			
Color	Item No.	PU	
● black	770-201	100	
○ white	770-221	100	

Lockout cap; for plugs; separable; Pole No.: 5			
Color	Item No.	PU	
● yellow	770-360	100	

PU = Packaging Unit; SPU = Subpackaging Unit; Dimensions in mm



# Distribution Connector ▶ WINSTA® MIDI ▶ 770 Series

## Pole No.: 4

T-distribution connector ▶ Number of locking levers: 2

T-distribution connector ▶ for flying leads ▶ Number of locking levers: 3



770-626



770-626

### General mains applications

Color	Coding	Marking	Item No.	PU
● black	A	N ⊕ 2/L 1/L'	770-626	50
○ white	A	N ⊕ 2/L 1/L'	770-676	50

### General mains applications

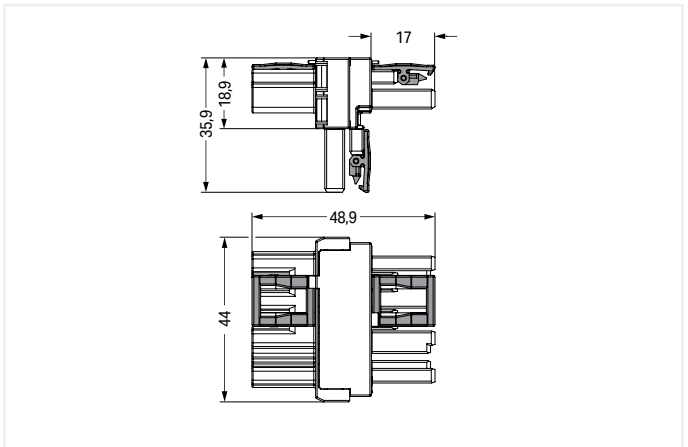
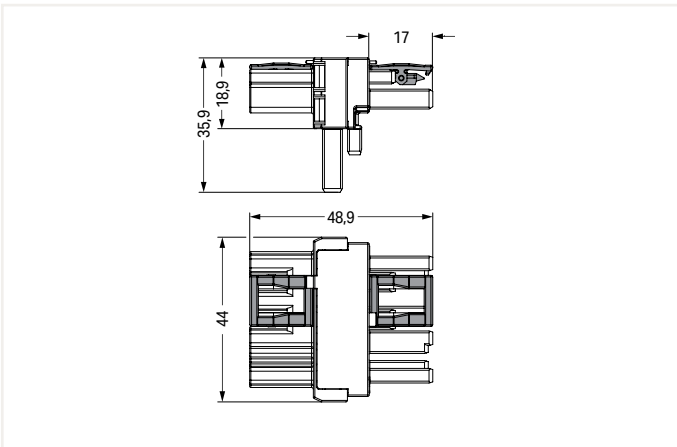
Color	Coding	Marking	Item No.	PU
● black	A	N ⊕ 2/L 1/L'	770-627	50
○ white	A	N ⊕ 2/L 1/L'	770-677	50

### Measurement and regulation technology

Color	Coding	Marking	Item No.	PU
● gray	B	1 2 3 4	770-1631	50
● light green	B	1 2 3 4	770-1632	50
● pink	B	1 2 3 4	770-1633	50

### Measurement and regulation technology

Color	Coding	Marking	Item No.	PU
● gray	B	1 2 3 4	770-1731	50
● light green	B	1 2 3 4	770-1732	50
● pink	B	1 2 3 4	770-1733	50



### Accessories; for all products on this page



Color	Item No.	PU
● black	770-201	100
○ white	770-221	100



Color	Item No.	PU
● yellow	770-360	100

PU = Packaging Unit; SPU = Subpackaging Unit; Dimensions in mm

# Distribution Connector ▶ WINSTA® MIDI ▶ 770 Series

## Pole No.: 4

h-distribution connector (unidirectional) ▶ Number of locking levers: 2

h-distribution connector (unidirectional) ▶ for flying leads ▶ Number of locking levers: 3



770-944



770-944

**General mains applications**

Color	Coding	Marking	Item No.	PU
● black	A	N ⊕ 2/L 1/L'	770-944	25
○ white	A	N ⊕ 2/L 1/L'	770-994	25

**General mains applications**

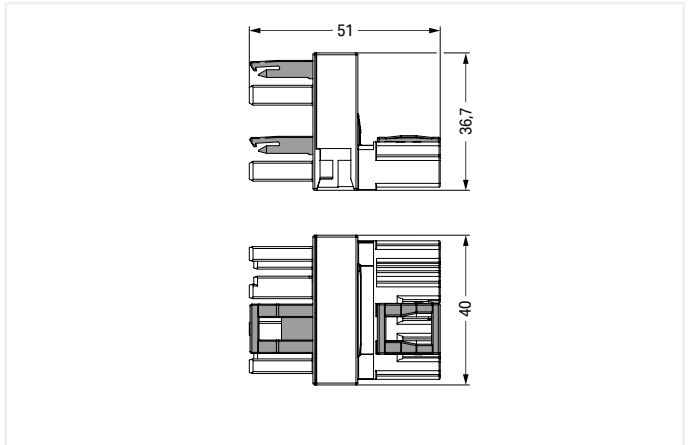
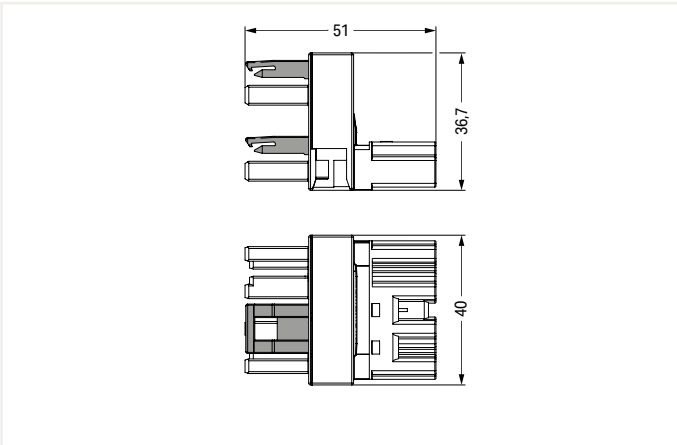
Color	Coding	Marking	Item No.	PU
● black	A	N ⊕ 2/L 1/L'	770-945	25
○ white	A	N ⊕ 2/L 1/L'	770-995	25

**Measurement and regulation technology**

Color	Coding	Marking	Item No.	PU
● gray	B	1 2 3 4	770-1681	50
● light green	B	1 2 3 4	770-1682	50
● pink	B	1 2 3 4	770-1683	50

**Measurement and regulation technology**

Color	Coding	Marking	Item No.	PU
● gray	B	1 2 3 4	770-1781	50
● light green	B	1 2 3 4	770-1782	50
● pink	B	1 2 3 4	770-1783	50



**Accessories; for all products on this page**



Color	Item No.	PU
● black	770-201	100
○ white	770-221	100



Color	Item No.	PU
● yellow	770-360	100



Color	Item No.	PU
● black	770-624	25
○ white	770-674	25

PU = Packaging Unit; SPU = Subpackaging Unit; Dimensions in mm

## Distribution Connector ▶ WINSTA® MIDI ▶ 770 Series Pole No.: 4

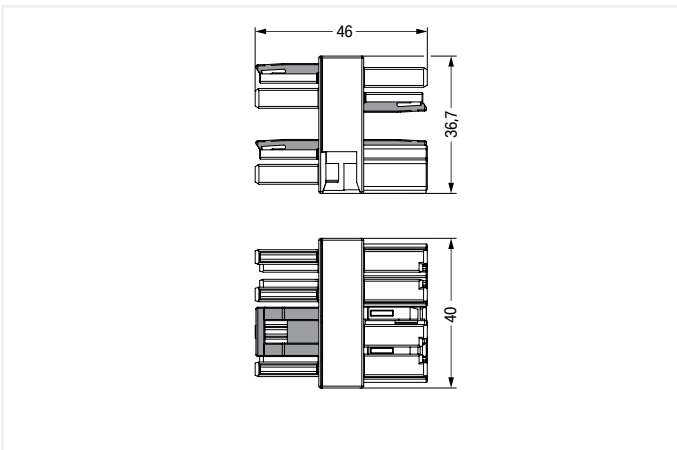
Distribution connector, 3-way,



770-1734

### Measurement and regulation technology

Color	Coding	Marking	Item No.	PU
gray	B	1 2 3 4	770-1734	50
light green	B	1 2 3 4	770-1735	50
pink	B	1 2 3 4	770-1736	50



### Accessories; for all products on this page



Lockout cap; for socket; separable; Pole No.: 12		
Color	Item No.	PU
● black	770-201	100
○ white	770-221	100



Lockout cap; for plugs; separable; Pole No.: 5		
Color	Item No.	PU
● yellow	770-360	100



Mounting plate; for distribution connectors (except T-distribution connectors); 4-pole		
Color	Item No.	PU
● black	770-624	25
○ white	770-674	25

PU = Packaging Unit; SPU = Subpackaging Unit; Dimensions in mm



**Cable Assembly ▶ WINSTA® MIDI ▶ 771 Series**Pole No.: 4 ▶ Protection type: IP20 ▶ Fire class per EN 50575: E<sub>ca</sub>

- Protected against mismatching and maintenance-free
- Additional variable coding is possible.

Electrical Data						
Coding	A;B			B		
Wire cross-section	1.5 mm <sup>2</sup>			1 mm <sup>2</sup>		
Ratings per	IEC/EN 60664-1			IEC/EN 60664-1		
Oversvoltage category	III	III	II	III	III	II
Pollution degree	3	2	2	3	2	2
Rated voltage	400 V	-	-	400 V	-	-
Rated impulse voltage	6 kV	-	-	6 kV	-	-
Rated current	16 A	-	-	10 A	-	-

Material Data	
Insulation material	Polyamide (PA66)
Contact material	Copper or copper alloy (surface-treated)
Fire class per EN 50575	E <sub>ca</sub>

Mechanical Data	
Number of mating cycles	200, without resistive load
Mating force of a plug-in connection	approx. 20 ... 70 N (depending on pole number)
Unmating force of a plug-in connection	when unlocked: approx. 20 ... 70 N (depending on pole number)
Retention force of a plug-in connection	when locked: > 80N
Protection type	IP20
Note on protection type	When mated: IP2xC (These compact connectors are not designed for use in open, easily accessible areas!)

Environmental Requirements	
Processing temperature	-5 ... +40 °C
Continuous operating temperature	-35 ... +85 °C
Note on continuous operating temperature	PVC cable for temperatures ≤ 70 °C (including halogen-free) Insulating parts for temperatures ≤ 105 °C

All WINSTA® components are 100% protected against mismatching when:

- a.) plugging different numbers of poles
- b.) plugging while rotated 180
- c.) plugging while laterally staggered
- d.) plugging one pole

Cables with a different fire class can be found in the eShop.

Cover Page 380

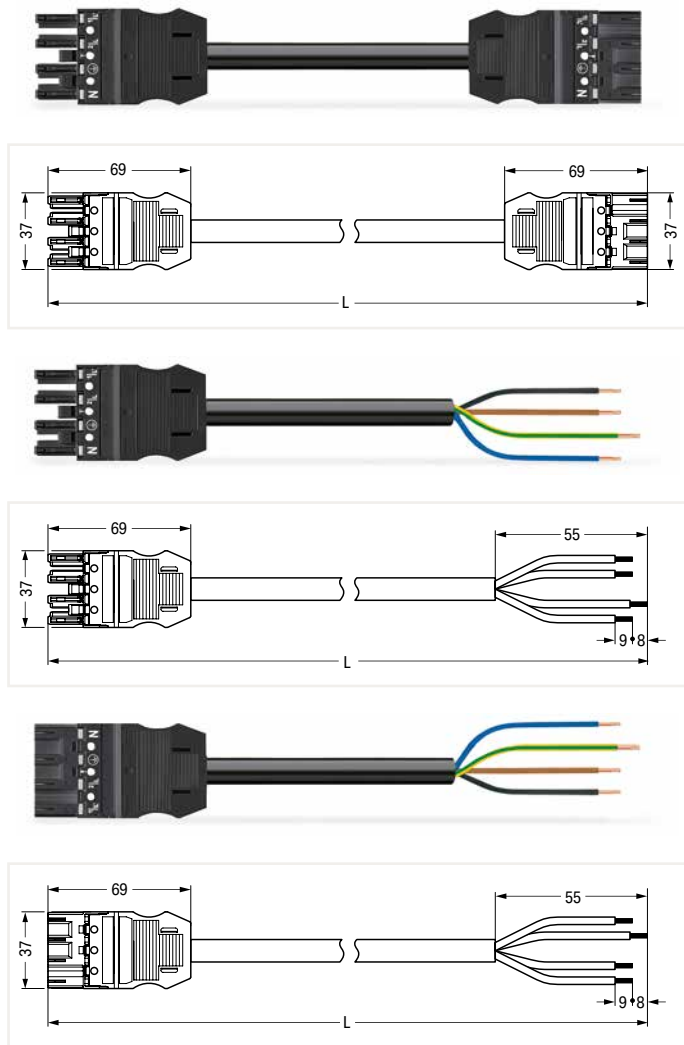
Marking Page 405

See technical section for further information

For approvals and corresponding ratings, visit [www.wago.com](http://www.wago.com)

### Cable Assembly ▶ WINSTA® MIDI ▶ 771 Series

Pole No.: 4 ▶ Protection type: IP20 ▶ Fire class per EN 50575: E<sub>ca</sub> ▶ Coding: A ▶ 1.5 mm<sup>2</sup> ▶ Marking: N ⊕ 2/L 1/L' ▶ PVC ▶ Sheathed cable diameter: 8.4 ... 10.5 mm ▶ H05VV-F 4G1.5 ▶ General mains applications



Interconnecting cable ▶ Socket - Plug			
Total length	Connector color/Strain relief color		PU
	black/black	white/white	
1 m	771-9994/006-101	771-9994/006-102	1
2 m	771-9994/006-201	771-9994/006-202	1
3 m	771-9994/006-301	771-9994/006-302	1
4 m	771-9994/006-401	771-9994/006-402	1
5 m	771-9994/006-501	771-9994/006-502	1
6 m	771-9994/006-601	771-9994/006-602	1
7 m	771-9994/006-701	771-9994/006-702	1
8 m	771-9994/006-801	771-9994/006-802	1

Connecting cable ▶ Socket - Free end ▶ Strip length (outer insulation): 55 mm			
Total length	Connector color/Strain relief color		PU
	black/black	white/white	
1 m	771-9994/106-101	771-9994/106-102	1
2 m	771-9994/106-201	771-9994/106-202	1
3 m	771-9994/106-301	771-9994/106-302	1
4 m	771-9994/106-401	771-9994/106-402	1
5 m	771-9994/106-501	771-9994/106-502	1
6 m	771-9994/106-601	771-9994/106-602	1
7 m	771-9994/106-701	771-9994/106-702	1
8 m	771-9994/106-801	771-9994/106-802	1

Connecting cable ▶ Plug - Free end ▶ Strip length (outer insulation): 55 mm			
Total length	Connector color/Strain relief color		PU
	black/black	white/white	
1 m	771-9994/206-101	771-9994/206-102	1
2 m	771-9994/206-201	771-9994/206-202	1
3 m	771-9994/206-301	771-9994/206-302	1
4 m	771-9994/206-401	771-9994/206-402	1
5 m	771-9994/206-501	771-9994/206-502	1
6 m	771-9994/206-601	771-9994/206-602	1
7 m	771-9994/206-701	771-9994/206-702	1
8 m	771-9994/206-801	771-9994/206-802	1

Accessories; for all products on this page



Locking lever; for flying leads; manually operated		
Color	Item No.	PU (SPU)
● black	770-101	100 (25)
○ white	770-121	100 (25)



Locking lever; for flying leads; tool operated		
Color	Item No.	PU (SPU)
● black	770-111	100 (25)
○ white	770-131	100 (25)



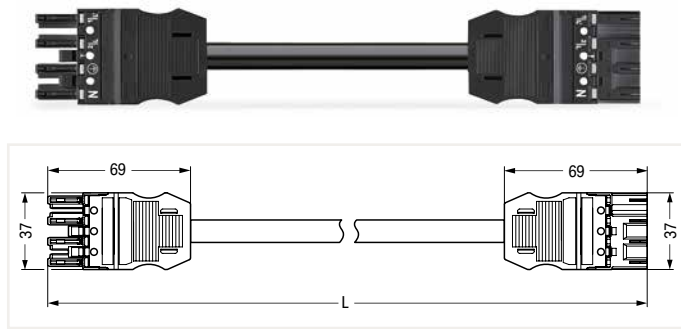
Mounting carrier; for flying leads; 2- to 5-pole		
Color	Item No.	PU
● black	770-310	25

PU = Packaging Unit; SPU = Subpackaging Unit; Dimensions in mm

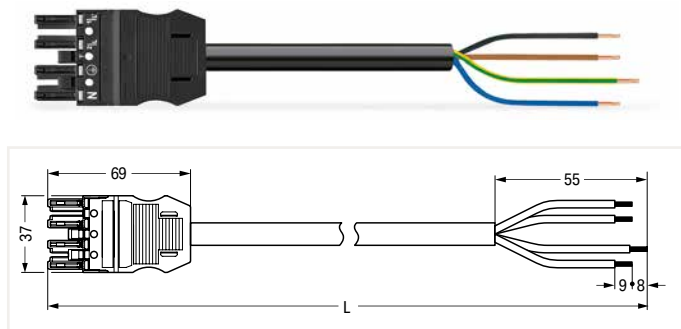
## Cable Assembly ▶ WINSTA® MIDI ▶ 771 Series

Pole No.: 4 ▶ Protection type: IP20 ▶ Fire class per EN 50575: E<sub>ca</sub> ▶ Coding: A ▶ 1.5 mm<sup>2</sup> ▶ Marking: N ⊕ 2/L 1/L' ▶ Halogen-free ▶ Sheathed cable diameter: 8.4 ... 10.5 mm ▶ H05Z1Z1-F 4G1.5 ▶ General mains applications

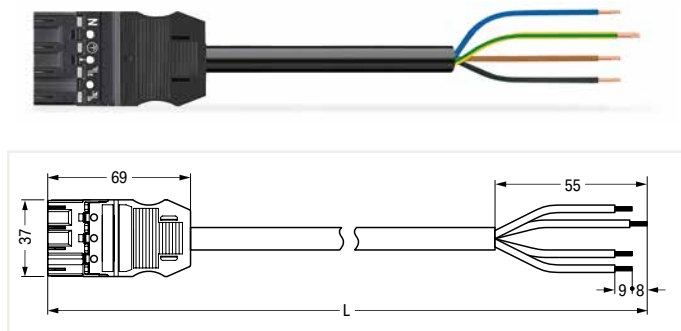
2



Total length	Connector color/Strain relief color		PU
	black/black	white/white	
1 m	771-9994/016-101	771-9994/016-102	1
2 m	771-9994/016-201	771-9994/016-202	1
3 m	771-9994/016-301	771-9994/016-302	1
4 m	771-9994/016-401	771-9994/016-402	1
5 m	771-9994/016-501	771-9994/016-502	1
6 m	771-9994/016-601	771-9994/016-602	1
7 m	771-9994/016-701	771-9994/016-702	1
8 m	771-9994/016-801	771-9994/016-802	1



Total length	Connector color/Strain relief color		PU
	black/black	white/white	
1 m	771-9994/116-101	771-9994/116-102	1
2 m	771-9994/116-201	771-9994/116-202	1
3 m	771-9994/116-301	771-9994/116-302	1
4 m	771-9994/116-401	771-9994/116-402	1
5 m	771-9994/116-501	771-9994/116-502	1
6 m	771-9994/116-601	771-9994/116-602	1
7 m	771-9994/116-701	771-9994/116-702	1
8 m	771-9994/116-801	771-9994/116-802	1



Total length	Connector color/Strain relief color		PU
	black/black	white/white	
1 m	771-9994/216-101	771-9994/216-102	1
2 m	771-9994/216-201	771-9994/216-202	1
3 m	771-9994/216-301	771-9994/216-302	1
4 m	771-9994/216-401	771-9994/216-402	1
5 m	771-9994/216-501	771-9994/216-502	1
6 m	771-9994/216-601	771-9994/216-602	1
7 m	771-9994/216-701	771-9994/216-702	1
8 m	771-9994/216-801	771-9994/216-802	1

### Accessories; for all products on this page



Locking lever; for flying leads; manually operated		
Color	Item No.	PU (SPU)
● black	770-101	100 (25)
○ white	770-121	100 (25)



Locking lever; for flying leads; tool operated		
Color	Item No.	PU (SPU)
● black	770-111	100 (25)
○ white	770-131	100 (25)



Mounting carrier; for flying leads; 2- to 5-pole		
Color	Item No.	PU
● black	770-310	25

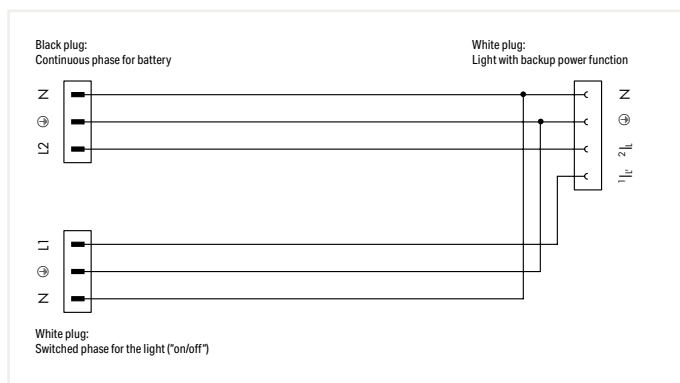
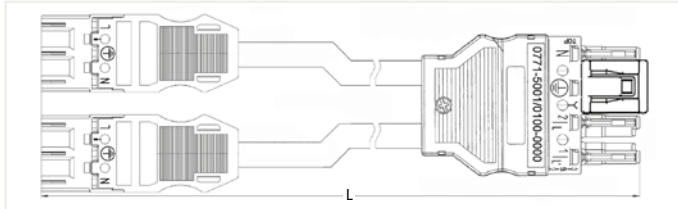
PU = Packaging Unit; SPU = Subpackaging Unit; Dimensions in mm

## Cable Assembly ▶ WINSTA® MIDI ▶ 771 Series

No. of poles: 4 ▶ Protection type: IP20 ▶ Fire class per EN 50575: E<sub>ca</sub> ▶ Coding: A ▶ 1.5 mm<sup>2</sup> ▶ PVC  
▶ Sheathed cable diameter: 7.4 ... 9.4 ▶ H05VV-F 3G1.5 ▶ Backup power function



Y-cable				
Length	Connector color/Strain relief color			PU
		black/black		
0.6 m	771-5001/100-000			1



This cable connects lights with backup power function (battery pack). The black 3-pole plug connects the continuous phase for the battery, while the white 3-pole plug connects the switched phase for the light ("on/off").

The white 4-pole socket can be directly plugged into the light.



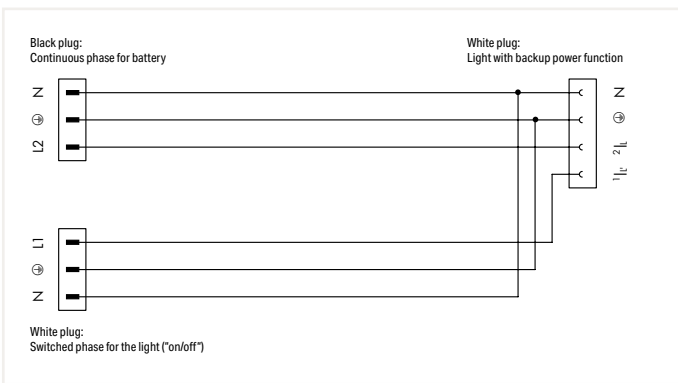
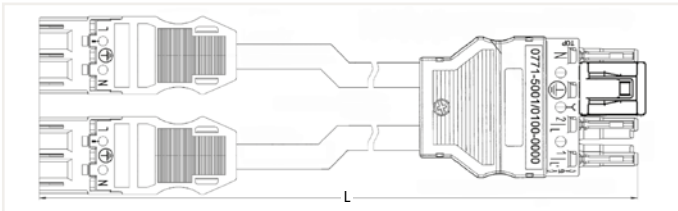
### Cable Assembly ▶ WINSTA® MIDI ▶ 771 Series

No. of poles: 4 ▶ Protection type: IP20 ▶ Fire class per EN 50575: E<sub>ca</sub> ▶ Coding: A ▶ 1.5 mm<sup>2</sup> ▶ Halogen-free ▶ Sheathed cable diameter: 7.4 ... 9.4 ▶ H05VV-F 3G1.5 ▶ Backup power function



Y-cable				
Length	Connector color/Strain relief color			PU
		black/black		
0.6 m	771-5001/110-000			1

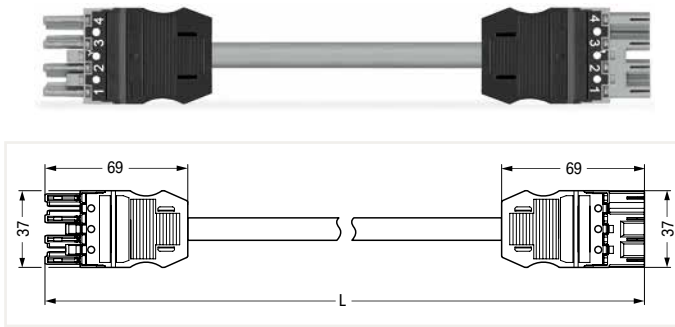
2



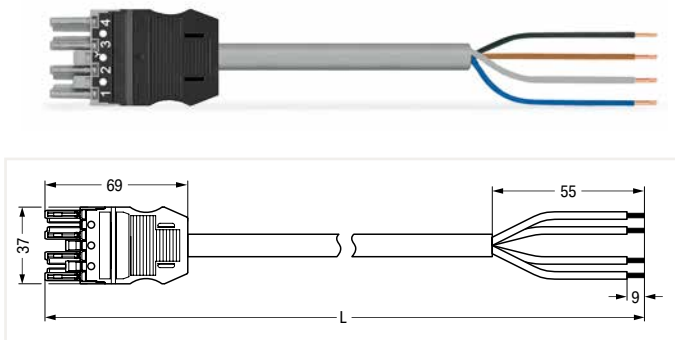
This cable connects lights with backup power function (battery pack). The black 3-pole plug connects the continuous phase for the battery, while the white 3-pole plug connects the switched phase for the light ("on/off"). The white 4-pole socket can be directly plugged into the light.

### Cable Assembly ▶ WINSTA® MIDI ▶ 771 Series

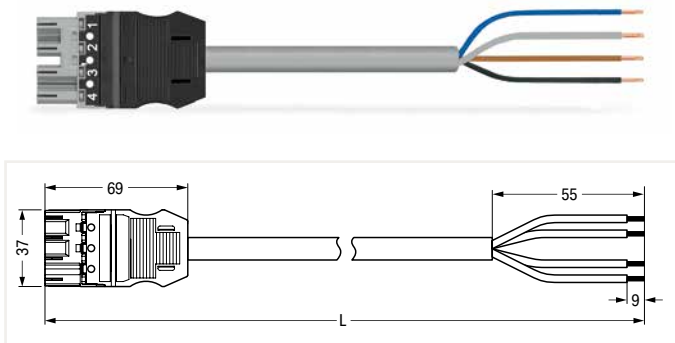
Pole No.: 4 ▶ Protection type: IP20 ▶ Fire class per EN 50575: E<sub>ca</sub> ▶ Coding: B ▶ 1 mm<sup>2</sup> ▶ Marking: 1 2 3 4 ▶ PVC ▶ Sheathed cable diameter: 7.1 ... 9 mm ▶ Control line 4 x 1 ▶ Measurement and regulation technology



Interconnecting cable ▶ Socket - Plug				
Total length	Connector color/Strain relief color			PU
	gray/black	light green/black	pink/black	
1 m	771-9994/005-103	771-9994/005-105	771-9994/005-107	1
2 m	771-9994/005-203	771-9994/005-205	771-9994/005-207	1
3 m	771-9994/005-303	771-9994/005-305	771-9994/005-307	1
4 m	771-9994/005-403	771-9994/005-405	771-9994/005-407	1
5 m	771-9994/005-503	771-9994/005-505	771-9994/005-507	1
6 m	771-9994/005-603	771-9994/005-605	771-9994/005-607	1
7 m	771-9994/005-703	771-9994/005-705	771-9994/005-707	1
8 m	771-9994/005-803	771-9994/005-805	771-9994/005-807	1



Connecting cable ▶ Socket - Free end ▶ Strip length (outer insulation): 55 mm				
Total length	Connector color/Strain relief color			PU
	gray/black	light green/black	pink/black	
1 m	771-9994/105-103	771-9994/105-105	771-9994/105-107	1
2 m	771-9994/105-203	771-9994/105-205	771-9994/105-207	1
3 m	771-9994/105-303	771-9994/105-305	771-9994/105-307	1
4 m	771-9994/105-403	771-9994/105-405	771-9994/105-407	1
5 m	771-9994/105-503	771-9994/105-505	771-9994/105-507	1
6 m	771-9994/105-603	771-9994/105-605	771-9994/105-607	1
7 m	771-9994/105-703	771-9994/105-705	771-9994/105-707	1
8 m	771-9994/105-803	771-9994/105-805	771-9994/105-807	1



Connecting cable ▶ Plug - Free end ▶ Strip length (outer insulation): 55 mm				
Total length	Connector color/Strain relief color			PU
	gray/black	light green/black	pink/black	
1 m	771-9994/205-103	771-9994/205-105	771-9994/205-107	1
2 m	771-9994/205-203	771-9994/205-205	771-9994/205-207	1
3 m	771-9994/205-303	771-9994/205-305	771-9994/205-307	1
4 m	771-9994/205-403	771-9994/205-405	771-9994/205-407	1
5 m	771-9994/205-503	771-9994/205-505	771-9994/205-507	1
6 m	771-9994/205-603	771-9994/205-605	771-9994/205-607	1
7 m	771-9994/205-703	771-9994/205-705	771-9994/205-707	1
8 m	771-9994/205-803	771-9994/205-805	771-9994/205-807	1

Accessories; for all products on this page



Locking lever; for flying leads; manually operated			
Color	Item No.	PU (SPU)	
● black	770-101	100 (25)	
○ white	770-121	100 (25)	



Locking lever; for flying leads; tool operated			
Color	Item No.	PU (SPU)	
● black	770-111	100 (25)	
○ white	770-131	100 (25)	



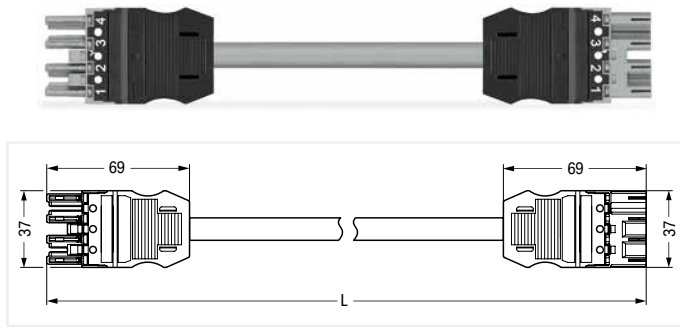
Mounting carrier; for flying leads; 2- to 5-pole			
Color	Item No.	PU	
● black	770-310	25	

PU = Packaging Unit; SPU = Subpackaging Unit; Dimensions in mm

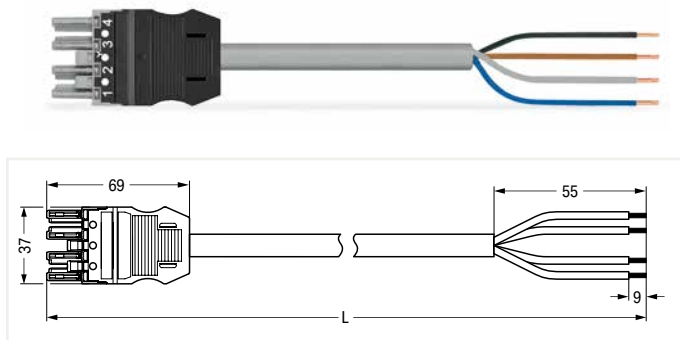
## Cable Assembly ▶ WINSTA® MIDI ▶ 771 Series

Pole No.: 4 ▶ Protection type: IP20 ▶ Fire class per EN 50575: E<sub>ca</sub> ▶ Coding: B ▶ 1.5 mm<sup>2</sup> ▶ Marking: 1 2 3 4 ▶ PVC ▶ Sheathed cable diameter: 8.4 ... 10.5 mm ▶ Control line 4 x 1.5 ▶ Measurement and regulation technology

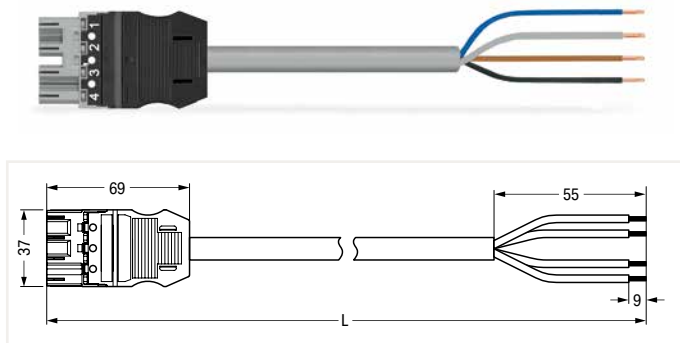
2



Total length	Connector color/Strain relief color			PU
	gray/black	light green/black	pink/black	
	1 m	771-9994/006-103	771-9994/006-105	
2 m	771-9994/006-203	771-9994/006-205	771-9994/006-207	1
3 m	771-9994/006-303	771-9994/006-305	771-9994/006-307	1
4 m	771-9994/006-403	771-9994/006-405	771-9994/006-407	1
5 m	771-9994/006-503	771-9994/006-505	771-9994/006-507	1
6 m	771-9994/006-603	771-9994/006-605	771-9994/006-607	1
7 m	771-9994/006-703	771-9994/006-705	771-9994/006-707	1
8 m	771-9994/006-803	771-9994/006-805	771-9994/006-807	1



Total length	Connector color/Strain relief color			PU
	gray/black	light green/black	pink/black	
	1 m	771-9994/106-103	771-9994/106-105	
2 m	771-9994/106-203	771-9994/106-205	771-9994/106-207	1
3 m	771-9994/106-303	771-9994/106-305	771-9994/106-307	1
4 m	771-9994/106-403	771-9994/106-405	771-9994/106-407	1
5 m	771-9994/106-503	771-9994/106-505	771-9994/106-507	1
6 m	771-9994/106-603	771-9994/106-605	771-9994/106-607	1
7 m	771-9994/106-703	771-9994/106-705	771-9994/106-707	1
8 m	771-9994/106-803	771-9994/106-805	771-9994/106-807	1



Total length	Connector color/Strain relief color			PU
	gray/black	light green/black	pink/black	
	1 m	771-9994/206-103	771-9994/206-105	
2 m	771-9994/206-203	771-9994/206-205	771-9994/206-207	1
3 m	771-9994/206-303	771-9994/206-305	771-9994/206-307	1
4 m	771-9994/206-403	771-9994/206-405	771-9994/206-407	1
5 m	771-9994/206-503	771-9994/206-505	771-9994/206-507	1
6 m	771-9994/206-603	771-9994/206-605	771-9994/206-607	1
7 m	771-9994/206-703	771-9994/206-705	771-9994/206-707	1
8 m	771-9994/206-803	771-9994/206-805	771-9994/206-807	1

### Accessories; for all products on this page



Locking lever; for flying leads; manually operated		
Color	Item No.	PU (SPU)
● black	770-101	100 (25)
○ white	770-121	100 (25)



Locking lever; for flying leads; tool operated		
Color	Item No.	PU (SPU)
● black	770-111	100 (25)
○ white	770-131	100 (25)



Mounting carrier; for flying leads; 2- to 5-pole		
Color	Item No.	PU
● black	770-310	25

PU = Packaging Unit; SPU = Subpackaging Unit; Dimensions in mm



## Pluggable Connector ▶ WINSTA® MIDI ▶ 770 Series

### Pole No.: 5 ▶ Protection type: IP20



- Protected against mismatching and maintenance-free
- Push-in CAGE CLAMP® spring pressure connection technology allows solid conductors to be simply pushed into a unit
- Two-wire connection per pole for loops or bridges
- Additional variable coding is possible

Electrical Data						
Coding	A;B;L;P			Q		
Ratings per	IEC/EN 60664-1			IEC/EN 60664-1		
Overvoltage category	III	III	II	III	III	II
Pollution degree	3	2	2	3	2	2
Rated voltage	400 V	-	-	400 V	-	-
Rated impulse voltage	6 kV	-	-	6 kV	-	-
Rated current	25 A	-	-	32 A	-	-
Approbations per	UL 1977			UL 1977		
Rated voltage	600 V			600 V		
Rated current	23 A			23 A		

Connection Data	
Connection technology	Push-in CAGE CLAMP®
Strip length	9 mm / 0.35 inch
Nominal cross-section	4 mm <sup>2</sup>
Solid conductor	0.5 ... 4 mm <sup>2</sup> / 20 ... 12 AWG
Solid conductor; push-in termination	1.5 ... 4 mm <sup>2</sup> / 16 ... 12 AWG
Stranded conductor	0.5 ... 2.5 mm <sup>2</sup> / 20 ... 14 AWG
Fine-stranded conductor	0.5 ... 4 mm <sup>2</sup> / 20 ... 12 AWG
Fine-stranded conductor; with insulated ferrule	0.25 ... 1.5 mm <sup>2</sup> / 20 ... 16 AWG
Fine-stranded conductor; with uninsulated ferrule	0.25 ... 2.5 mm <sup>2</sup> / 20 ... 14 AWG
Fine-stranded conductor; with ferrule; push-in termination	1.5 mm <sup>2</sup> / 16 AWG

Material Data	
Insulation material	Polyamide (PA66)
Clamping spring material	Chrome nickel spring steel (CrNi)
Contact material	Copper or copper alloy (surface-treated)

Mechanical Data	
Number of mating cycles	200, without resistive load
Mating force of a plug-in connection	approx. 20 ... 70 N (depending on pole number)
Unmating force of a plug-in connection	Unlocked: approx. 20 ... 70 N (depending on pole number)
Retention force of a plug-in connection	Locked: > 80 N
Protection type	IP20
Note on protection type	When mated and secured with a strain relief housing: IP2xC (These compact connectors are not designed for use in open, easily accessible areas!)

Environmental Requirements	
Processing temperature	-5 ... +40 °C
Continuous operating temperature	-35 ... +85 °C
Note on continuous operating temperature	Insulating parts for temperatures ≤ 105 °C

All WINSTA® components are 100% protected against mismatching when:

- plugging different numbers of poles
- plugging while rotated 180
- plugging while laterally staggered
- plugging one pole

Coding	Page 379
Cover	Page 380
Marking	Page 405
Strain relief	Page 387
Tool	Page 400

See technical section for further information

For approvals and corresponding ratings, visit [www.wago.com](http://www.wago.com)

# Pluggable Connector ▶ WINSTA® MIDI ▶ 770 Series

## Pole No.: 5 ▶ Protection type: IP20

Number of connection points: 2 ▶ Strain relief housing ▶ Female connector/socket ▶ Strip length (outer insulation): 55 mm ▶ Connectable sheathed cable diameter : 9 ... 13 mm

Number of connection points: 2 ▶ Strain relief housing ▶ Male connector/plug ▶ Strip length (outer insulation): 55 mm ▶ Connectable sheathed cable diameter : 9 ... 13 mm



770-105



770-115

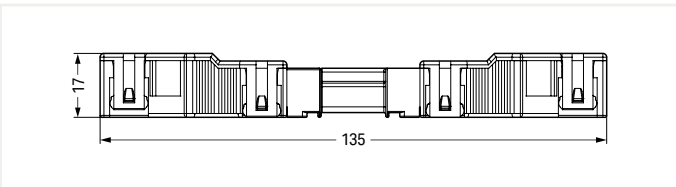
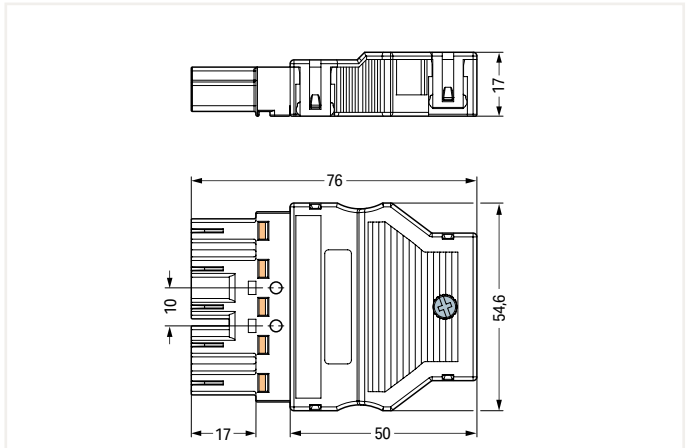
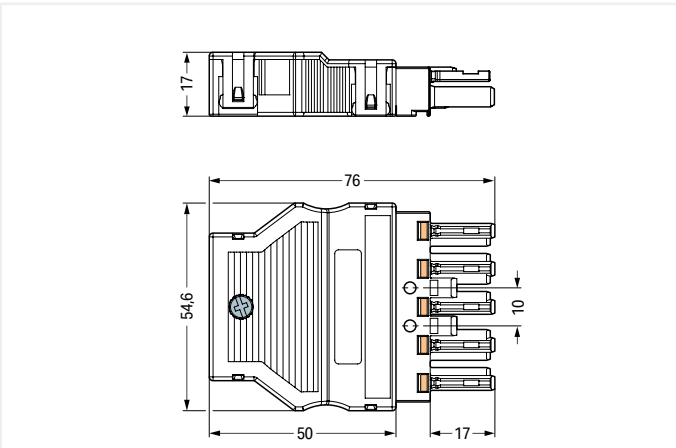
2

### General mains applications

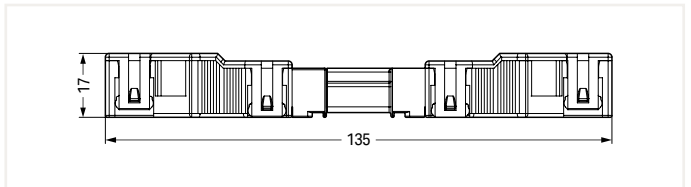
Color	Coding	Marking	Item No.	PU
● black	A	N ⊕ L1 L2 L3	770-105	25
○ white	A	N ⊕ L1 L2 L3	770-125	25

### General mains applications

Color	Coding	Marking	Item No.	PU
● black	A	N ⊕ L1 L2 L3	770-115	25
○ white	A	N ⊕ L1 L2 L3	770-135	25



Overall length when mated



Overall length when mated

### Item-Specific Accessories



Lockout cap; for socket; separable; Pole No.: 12

Color	Item No.	PU
● black	770-201	100
○ white	770-221	100



Lockout cap; for plugs; separable; Pole No.: 5

Color	Item No.	PU
● yellow	770-360	100

### Accessories; for all products on this page



Locking lever; for flying leads; manually operated

Color	Item No.	PU (SPU)
● black	770-101	100 (25)
○ white	770-121	100 (25)



Locking lever; for flying leads; tool operated

Color	Item No.	PU (SPU)
● black	770-111	100 (25)
○ white	770-131	100 (25)

PU = Packaging Unit; SPU = Subpackaging Unit; Dimensions in mm

# Pluggable Connector ▶ WINSTA® MIDI ▶ 770 Series

## Pole No.: 5 ▶ Protection type: IP20

Number of connection points: 2 ▶ Female connector/socket



770-205

### General mains applications

Color	Coding	Marking	Item No.	PU
● black	A	N ⊕ L1 L2 L3	770-205	50
○ white	A	N ⊕ L1 L2 L3	770-225	50

### Measurement and regulation technology

Color	Coding	Marking	Item No.	PU
● gray	B	1 2 3 4 5	770-245	50
● gray	B	N ⊕ L1 L2 L3	770-245/060-000	50
● gray	B	N ⊕ 3 2 1	770-245/062-000	50
● gray	B	N ⊕ L 2L 1L	770-245/064-000	50
● light green	B	1 2 3 4 5	770-265	50
● light green	B	1 ⊕ 2 3 4	770-265/073-000	50
● pink	B	1 2 3 4 5	770-285	50
● pink	B	N ⊕ L I - I+	770-285/080-000	50
● pink	B	N ⊕ L - +	770-285/082-000	50

### DALI, Lighting Management

Color	Coding	Marking	Item No.	PU
● blue	I	N ⊕ L DA- DA+	770-1105	50

### Emergency power supply

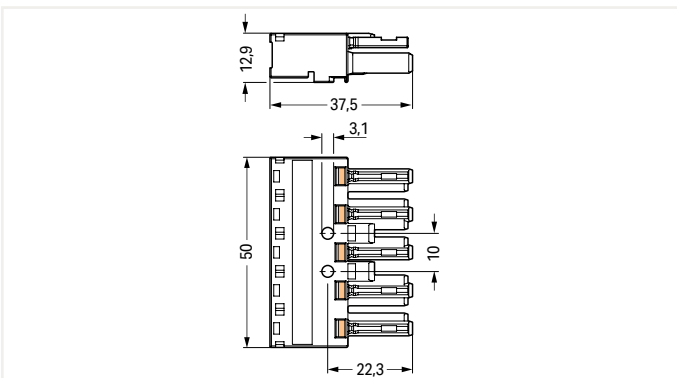
Color	Coding	Marking	Item No.	PU
● dark gray	L	N ⊕ L N' L'	770-1165	50

### EDV (UPS)

Color	Coding	Marking	Item No.	PU
● red	P	N ⊕ L1 L2 L3	770-1305	50

### For „Clean Ground“ applications

Color	Coding	Marking	Item No.	PU
● green	Q	N PE1 PE2 PE3 L	770-1325	50



### Accessories; for all products on this page



Locking lever; for flying leads; manually operated

Color	Item No.	PU (SPU)
● black	770-101	100 (25)
○ white	770-121	100 (25)



Locking lever; for flying leads; tool operated

Color	Item No.	PU (SPU)
● black	770-111	100 (25)
○ white	770-131	100 (25)



Lockout cap; for socket; separable; Pole No.: 12

Color	Item No.	PU
● black	770-201	100
○ white	770-221	100



Strain relief housing; Connectable sheathed cable diameter: 9 ... 13 mm; Strip length (outer insulation): 55 mm

Color	Item No.	PU
● black	770-505	25
○ white	770-515	25



Strain relief housing; Connectable sheathed cable diameter: 5 ... 9 mm; Strip length (outer insulation): 55 mm

Color	Item No.	PU
● black	770-505/023-000	25
○ white	770-515/023-000	25

PU = Packaging Unit; SPU = Subpackaging Unit; Dimensions in mm

# Pluggable Connector ▶ WINSTA® MIDI ▶ 770 Series

## Pole No.: 5 ▶ Protection type: IP20

Number of connection points: 2 ▶ Male connector/plug



770-215

### General mains applications

Color	Coding	Marking	Item No.	PU
● black	A	N ⊕ L1 L2 L3	770-215	50
○ white	A	N ⊕ L1 L2 L3	770-235	50

### Measurement and regulation technology

Color	Coding	Marking	Item No.	PU
● gray	B	1 2 3 4 5	770-255	50
● gray	B	N ⊕ L1 L2 L3	770-255/060-000	50
● gray	B	N ⊕ 3 2 1	770-255/062-000	50
● gray	B	N ⊕ L2 L1	770-255/064-000	50
● light green	B	1 2 3 4 5	770-275	50
● light green	B	1 ⊕ 2 3 4	770-275/073-000	50
● pink	B	1 2 3 4 5	770-295	50
● pink	B	N ⊕ L1 - I+	770-295/080-000	50
● pink	B	N ⊕ L - +	770-295/082-000	50

### DALI, Lighting Management

Color	Coding	Marking	Item No.	PU
● blue	I	N ⊕ L DA- DA+	770-1115	50

### Emergency power supply

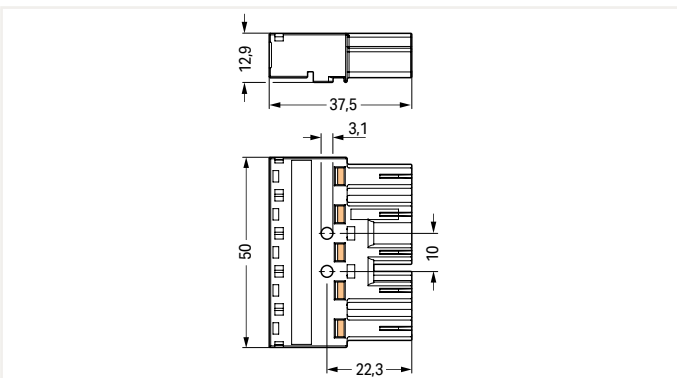
Color	Coding	Marking	Item No.	PU
● dark gray	L	N ⊕ L N' L'	770-1175	50

### EDV (UPS)

Color	Coding	Marking	Item No.	PU
● red	P	N ⊕ L1 L2 L3	770-1315	50

### For „Clean Ground“ applications

Color	Coding	Marking	Item No.	PU
● green	Q	N PE1 PE2 PE3 L	770-1335	50



### Accessories; for all products on this page



Locking lever; for flying leads; manually operated			
Color	Item No.	PU (SPU)	
● black	770-101	100 (25)	
○ white	770-121	100 (25)	



Locking lever; for flying leads; tool operated			
Color	Item No.	PU (SPU)	
● black	770-111	100 (25)	
○ white	770-131	100 (25)	



Lockout cap; for plugs; separable; Pole No.: 5			
Color	Item No.	PU	
● yellow	770-360	100	



Strain relief housing; Connectable sheathed cable diameter: 9 ... 13 mm; Strip length (outer insulation): 55 mm			
Color	Item No.	PU	
● black	770-505	25	
○ white	770-515	25	



Strain relief housing; Connectable sheathed cable diameter: 5 ... 9 mm; Strip length (outer insulation): 55 mm			
Color	Item No.	PU	
● black	770-505/023-000	25	
○ white	770-515/023-000	25	

PU = Packaging Unit; SPU = Subpackaging Unit; Dimensions in mm



# Pluggable Connector ▶ WINSTA® MIDI ▶ 770 Series

## Pole No.: 5 ▶ Protection type: IP20

Number of connection points: 1 ▶ Strain relief housing ▶ Female connector/socket ▶ Strip length (outer insulation): 55 mm ▶ Connectable sheathed cable diameter : 9 ... 13 mm

Number of connection points: 1 ▶ Strain relief housing ▶ Male connector/plug ▶ Strip length (outer insulation): 55 mm ▶ Connectable sheathed cable diameter : 9 ... 13 mm



770-305

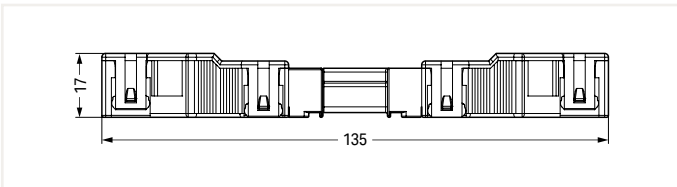
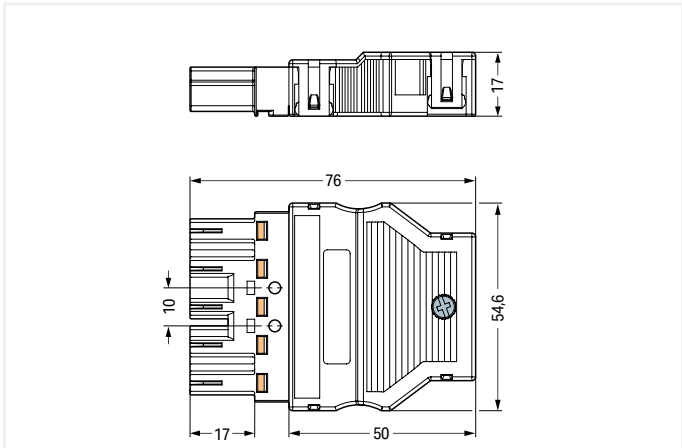
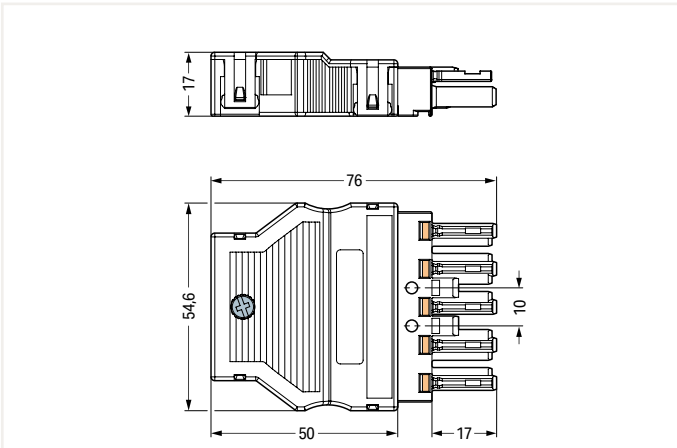
770-315

### General mains applications

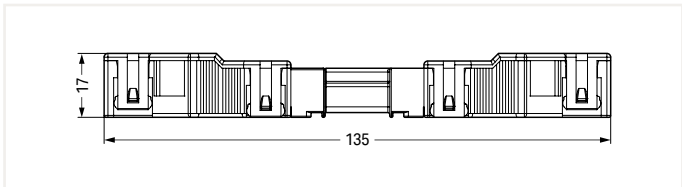
Color	Coding	Marking	Item No.	PU
● black	A	N ⊕ L1 L2 L3	770-305	25
○ white	A	N ⊕ L1 L2 L3	770-325	25

### General mains applications

Color	Coding	Marking	Item No.	PU
● black	A	N ⊕ L1 L2 L3	770-315	25
○ white	A	N ⊕ L1 L2 L3	770-335	25



Overall length when mated



Overall length when mated

### Item-Specific Accessories



Lockout cap; for socket; separable; Pole No.: 12

Color	Item No.	PU
● black	770-201	100
○ white	770-221	100



### Item-Specific Accessories

Lockout cap; for plugs; separable; Pole No.: 5

Color	Item No.	PU
● yellow	770-360	100

### Accessories; for all products on this page



Locking lever; for flying leads; manually operated

Color	Item No.	PU (SPU)
● black	770-101	100 (25)
○ white	770-121	100 (25)



Locking lever; for flying leads; tool operated

Color	Item No.	PU (SPU)
● black	770-111	100 (25)
○ white	770-131	100 (25)

PU = Packaging Unit; SPU = Subpackaging Unit; Dimensions in mm

# Pluggable Connector ▶ WINSTA® MIDI ▶ 770 Series

## Pole No.: 5 ▶ Protection type: IP20

Number of connection points: 1 ▶ Female connector/socket

Number of connection points: 1 ▶ Male connector/plug

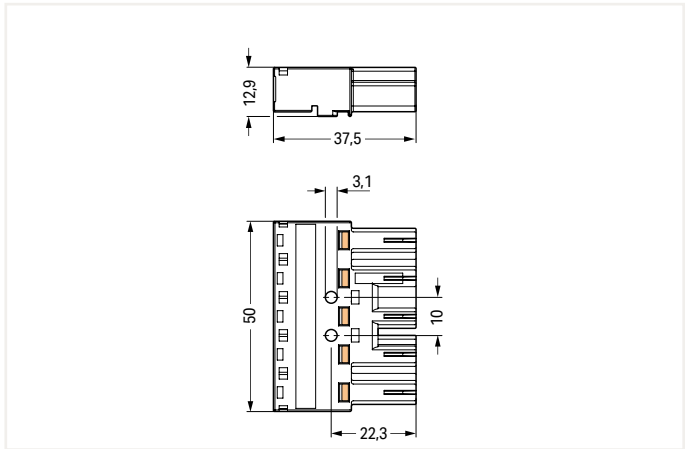
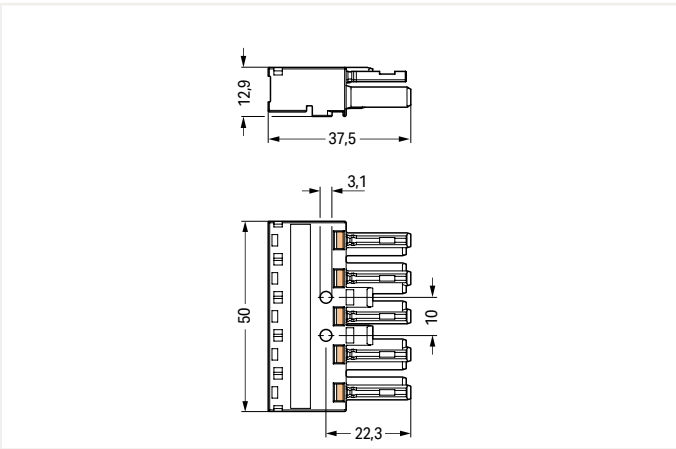


### General mains applications

Color	Coding	Marking	Item No.	PU
● black	A	N ⊕ L1 L2 L3	770-405	50
○ white	A	N ⊕ L1 L2 L3	770-425	50

### General mains applications

Color	Coding	Marking	Item No.	PU
● black	A	N ⊕ L1 L2 L3	770-415	50
○ white	A	N ⊕ L1 L2 L3	770-435	50



### Item-Specific Accessories



Lockout cap; for socket; separable; Pole No.: 12

Color	Item No.	PU
● black	770-201	100
○ white	770-221	100

### Item-Specific Accessories



Lockout cap; for plugs; separable; Pole No.: 5

Color	Item No.	PU
● yellow	770-360	100

### Accessories; for all products on this page



Locking lever; for flying leads; manually operated

Color	Item No.	PU (SPU)
● black	770-101	100 (25)
○ white	770-121	100 (25)



Locking lever; for flying leads; tool operated

Color	Item No.	PU (SPU)
● black	770-111	100 (25)
○ white	770-131	100 (25)

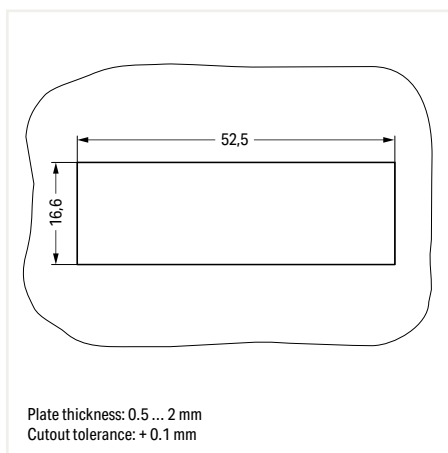
PU = Packaging Unit; SPU = Subpackaging Unit; Dimensions in mm

**Snap-in Device Connector ▶ WINSTA® MIDI ▶ 770 Series**

Pole No.: 5 ▶ Number of connection points: 2 ▶ Protection type: IP20



- Protected against mismatching and maintenance-free
- Push-in CAGE CLAMP® spring pressure connection technology allows solid conductors to be simply pushed into a unit.
- Two wire connections per pole for loops or bridges
- Additional variable coding is possible.



Electrical Data						
Coding	A;B;I;P			Q		
Ratings per	IEC/EN 60664-1			IEC/EN 60664-1		
Overvoltage category	III	III	II	III	III	II
Pollution degree	3	2	2	3	2	2
Rated voltage	400 V	-	-	400 V	-	-
Rated impulse voltage	6 kV	-	-	6 kV	-	-
Rated current	25 A	-	-	32 A	-	-
Approbations per	UL 1977			UL 1977		
Rated voltage	600 V			600 V		
Rated current	23 A			23 A		

Connection Data	
Connection technology	Push-in CAGE CLAMP®
Strip length	9 mm / 0.35 inch
Nominal cross-section	4 mm <sup>2</sup>
Solid conductor	0.5 ... 4 mm <sup>2</sup> / 20 ... 12 AWG
Solid conductor; push-in termination	1.5 ... 4 mm <sup>2</sup> / 16 ... 12 AWG
Stranded conductor	0.5 ... 2.5 mm <sup>2</sup> / 20 ... 14 AWG
Fine-stranded conductor	0.5 ... 4 mm <sup>2</sup> / 20 ... 12 AWG
Fine-stranded conductor; with insulated ferrule	0.25 ... 1.5 mm <sup>2</sup> / 20 ... 16 AWG
Fine-stranded conductor; with uninsulated ferrule	0.25 ... 2.5 mm <sup>2</sup> / 20 ... 14 AWG
Fine-stranded conductor; with ferrule; push-in termination	1.5 mm <sup>2</sup> / 16 AWG

Material Data	
Insulation material	Polyamide (PA66)
Clamping spring material	Chrome nickel spring steel (CrNi)
Contact material	Copper or copper alloy (surface-treated)

Mechanical Data	
Number of mating cycles	200, without resistive load
Mating force of a plug-in connection	approx. 20 ... 70 N (depending on pole number)
Unmating force of a plug-in connection	Unlocked: approx. 20 ... 70 N (depending on pole number)
Retention force of a plug-in connection	Locked: > 80 N
Protection type	IP20
Note on protection type	When mated: IP2xC (These compact connectors are not designed for use in open, easily accessible areas!)

Environmental Requirements	
Processing temperature	-5 ... +40 °C
Continuous operating temperature	-35 ... +85 °C
Note on continuous operating temperature	Insulating parts for temperatures ≤ 105 °C

All WINSTA® components are 100% protected against mismatching when:

- plugging different numbers of poles
- plugging while rotated 180
- plugging while laterally staggered
- plugging one pole

Tool Page 400

See technical section for further information

For approvals and corresponding ratings, visit [www.wago.com](http://www.wago.com)

## Snap-in Device Connector ▶ WINSTA® MIDI ▶ 770 Series

Pole No.: 5 ▶ Number of connection points: 2 ▶ Protection type: IP20

Female connector/socket



770-705

## General mains applications

Color	Coding	Marking	Item No.	PU
● black	A	N ⊕ L1 L2 L3	770-705	50
○ white	A	N ⊕ L1 L2 L3	770-725	50

## For „Clean Ground“ applications

Color	Coding	Marking	Item No.	PU
● green	Q	N PE1 PE2 PE3 L	770-2325	50

## Measurement and regulation technology

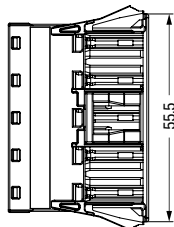
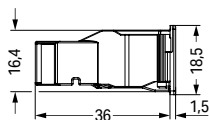
Color	Coding	Marking	Item No.	PU
● gray	B	1 2 3 4 5	770-745	50
● gray	B	N ⊕ L1 L2 L3	770-745/060-000	50
● gray	B	N ⊕ 3 2 1	770-745/062-000	50
● gray	B	N ⊕ L2L 1L	770-745/064-000	50
● light green	B	1 2 3 4 5	770-765	50
● light green	B	1 ⊕ 2 3 4	770-765/073-000	50
● pink	B	1 2 3 4 5	770-785	50
● pink	B	N ⊕ L I- I+	770-785/080-000	50
● pink	B	N ⊕ L - +	770-785/082-000	50

## DALI, Lighting Management

Color	Coding	Marking	Item No.	PU
● blue	I	N ⊕ L DA- DA+	770-2105	50

## EDV (UPS)

Color	Coding	Marking	Item No.	PU
● red	P	N ⊕ L1 L2 L3	770-2305	50



## Accessories; for all products on this page



Lockout cap; for socket; separable; Pole No.: 12

Color	Item No.	PU
● black	770-201	100
○ white	770-221	100

Lockout cap; for cutout; Pole No.: 5

Color	Item No.	PU
● black	770-645	100
○ white	770-695	100

PU = Packaging Unit; SPU = Subpackaging Unit; Dimensions in mm

# Snap-in Device Connector ▶ WINSTA® MIDI ▶ 770 Series

Pole No.: 5 ▶ Number of connection points: 2 ▶ Protection type: IP20

Male connector/plug



770-715

**General mains applications**

Color	Coding	Marking	Item No.	PU
● black	A	N ⊕ L1 L2 L3	770-715	50
○ white	A	N ⊕ L1 L2 L3	770-735	50

**For „Clean Ground“ applications**

Color	Coding	Marking	Item No.	PU
● green	Q	N PE1 PE2 PE3 L	770-2335	50

**Measurement and regulation technology**

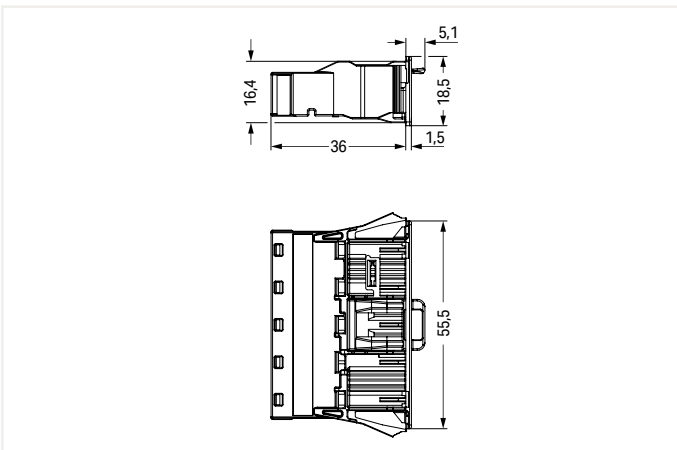
Color	Coding	Marking	Item No.	PU
● gray	B	1 2 3 4 5	770-755	50
● gray	B	N ⊕ L1 L2 L3	770-755/060-000	50
● gray	B	N ⊕ 3 2 1	770-755/062-000	50
● gray	B	N ⊕ L 2L 1L	770-755/064-000	50
● light green	B	1 2 3 4 5	770-775	50
● light green	B	1 ⊕ 2 3 4	770-775/073-000	50
● pink	B	1 2 3 4 5	770-795	50
● pink	B	N ⊕ L I- I+	770-795/080-000	50
● pink	B	N ⊕ L - +	770-795/082-000	50

**DALI, Lighting Management**

Color	Coding	Marking	Item No.	PU
● blue	I	N ⊕ L DA- DA+	770-2115	50

**EDV (UPS)**

Color	Coding	Marking	Item No.	PU
● red	P	N ⊕ L1 L2 L3	770-2315	50



**Accessories; for all products on this page**



Lockout cap; for plugs; separable; Pole No.: 5		
Color	Item No.	PU
● yellow	770-360	100



Lockout cap; for cutout; Pole No.: 5		
Color	Item No.	PU
● black	770-645	100
○ white	770-695	100

PU = Packaging Unit; SPU = Subpackaging Unit; Dimensions in mm

# Snap-in Device Connector ▶ WINSTA® MIDI ▶ 770 Series

Pole No.: 5 ▶ Number of connection points: 2 ▶ Protection type: IP20

with protruding interface ▶ Female connector/socket

with direct ground contact ▶ Male connector/plug



770-705/009-000



770-715/007-000

General mains applications

Color	Coding	Marking	Item No.	PU
● black	A	N ⊕ L1 L2 L3	770-705/009-000	50
○ white	A	N ⊕ L1 L2 L3	770-725/009-000	50

General mains applications

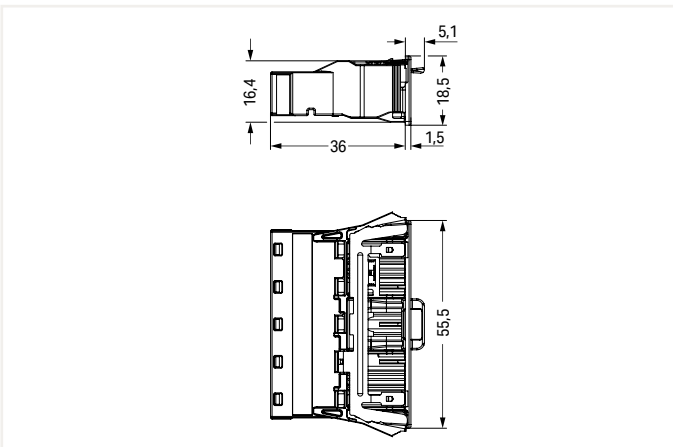
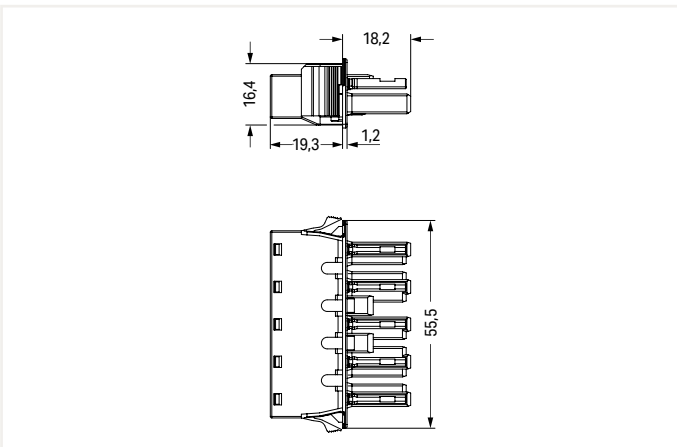
Color	Coding	Marking	Item No.	PU
● black	A	N ⊕ L1 L2 L3	770-715/007-000	50
○ white	A	N ⊕ L1 L2 L3	770-735/007-000	50

DALI, Lighting Management

Color	Coding	Marking	Item No.	PU
● blue	I	N ⊕ L DA- DA+	770-2115/007-000	50

For „Clean Ground“ applications

Color	Coding	Marking	Item No.	PU
● green	Q	N PE1 PE2 PE3 L	770-2335/007-000	50



Item-Specific Accessories



Lockout cap; for socket; separable; Pole No.: 12

Color	Item No.	PU
● black	770-201	100
○ white	770-221	100

Item-Specific Accessories



Lockout cap; for plugs; separable; Pole No.: 5

Color	Item No.	PU
● yellow	770-360	100

Accessories; for all products on this page



Lockout cap; for cutout; Pole No.: 5

Color	Item No.	PU
● black	770-645	100
○ white	770-695	100

PU = Packaging Unit; SPU = Subpackaging Unit; Dimensions in mm

## Pluggable PCB Connector ▶ WINSTA® MIDI ▶ 770 Series

Pole No.: 5



- Protected against mismatching and maintenance-free
- Push-in CAGE CLAMP® spring pressure connection technology allows solid conductors to be simply pushed into a unit.
- Two wire connections per pole for loops or bridges
- Additional variable coding is possible.

Electrical Data			
Coding	A;B;I		
Ratings per	IEC/EN 60664-1		
Overvoltage category	III	III	II
Pollution degree	3	2	2
Rated voltage	400 V	-	-
Rated impulse voltage	6 kV	-	-
Rated current	25 A	-	-
Approbations per	UL 1977		
Rated voltage	600 V		
Rated current	23 A		

Material Data	
Insulation material	Polyamide (PA66)
Clamping spring material	Chrome nickel spring steel (CrNi)
Contact material	Copper or copper alloy (surface-treated)

Mechanical Data	
Solder pin arrangement	2 in-line solder pins/pole
Solder pin length	3.5 mm
Solder pin dimensions	1 x 0.8 mm
Drilled hole diameter with tolerance	1.5 <sup>(+0.1...+0.1)</sup> mm
Number of mating cycles	200, without resistive load
Mating force of a plug-in connection	approx. 20 ... 70 N (depending on pole number)
Unmating force of a plug-in connection	Unlocked: approx. 20 ... 70 N (depending on pole number)
Retention force of a plug-in connection	Locked: > 80 N

Environmental Requirements	
Processing temperature	-5 ... +40 °C
Continuous operating temperature	-35 ... +85 °C
Note on continuous operating temperature	Insulating parts for temperatures ≤ 105 °C

All WINSTA® components are 100% protected against mismatching when:

- plugging different numbers of poles
- plugging while rotated 180
- plugging while laterally staggered
- plugging one pole

Coding Page 379

See technical section for further information

For approvals and corresponding ratings, visit [www.wago.com](http://www.wago.com)

# Pluggable PCB Connector ▶ WINSTA® MIDI ▶ 770 Series

## Pole No.: 5

straight ▶ Female connector/socket



770-805

### General mains applications

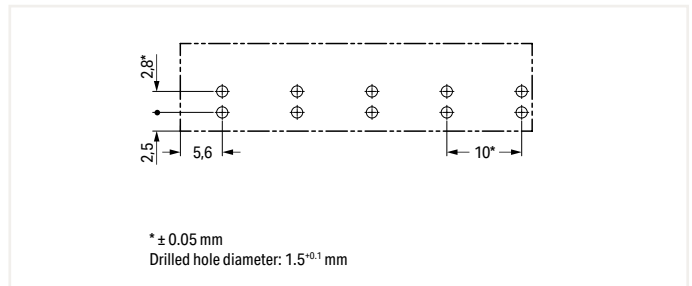
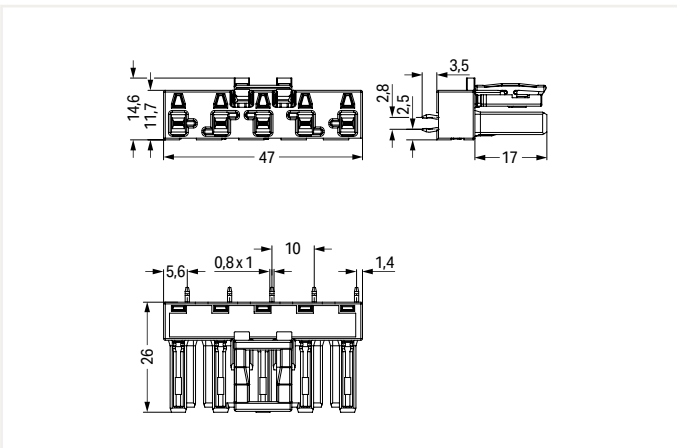
Color	Coding	Marking	Item No.	PU
● black	A	N ⊕ L1 L2 L3	770-805	50
○ white	A	N ⊕ L1 L2 L3	770-825	50

### Measurement and regulation technology

Color	Coding	Marking	Item No.	PU
● gray	B	1 2 3 4 5	770-845	50
● gray	B	N ⊕ L1 L2 L3	770-845/060-000	50
● gray	B	N ⊕ 3 2 1	770-845/062-000	50
● gray	B	N ⊕ L2L 1L	770-845/064-000	50
● light green	B	1 2 3 4 5	770-865	50
● light green	B	1 ⊕ 2 3 4	770-865/073-000	50
● pink	B	1 2 3 4 5	770-885	50
● pink	B	N ⊕ L I- I+	770-885/080-000	50
● pink	B	N ⊕ L - +	770-885/082-000	50

### DALI, Lighting Management

Color	Coding	Marking	Item No.	PU
● blue	I	N ⊕ L DA- DA+	770-3105	50



### Accessories; for all products on this page



Lockout cap; for socket; separable; Pole No.: 12

Color	Item No.	PU
● black	770-201	100
○ white	770-221	100

PU = Packaging Unit; SPU = Subpackaging Unit; Dimensions in mm



# Pluggable PCB Connector ▶ WINSTA® MIDI ▶ 770 Series

## Pole No.: 5

straight ▶ Male connector/plug



770-815

### General mains applications

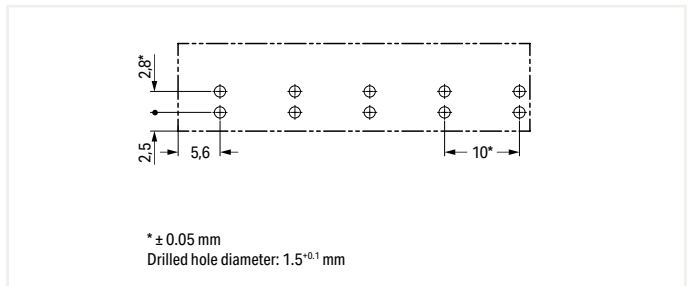
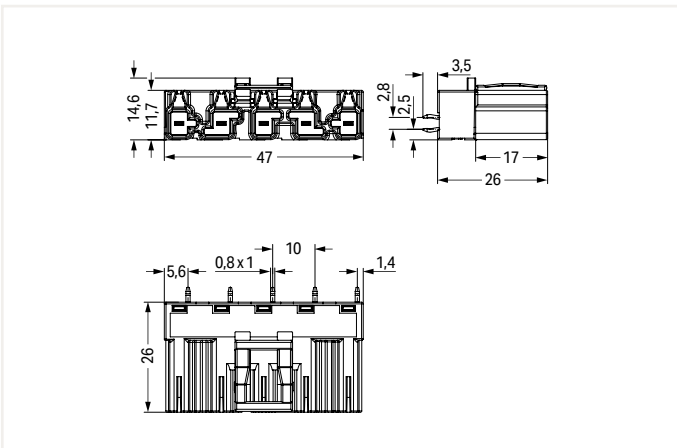
Color	Coding	Marking	Item No.	PU
● black	A	N ⊕ L1 L2 L3	770-815	50
○ white	A	N ⊕ L1 L2 L3	770-835	50

### Measurement and regulation technology

Color	Coding	Marking	Item No.	PU
● gray	B	1 2 3 4 5	770-855	50
● gray	B	N ⊕ L1 L2 L3	770-855/060-000	50
● gray	B	N ⊕ 3 2 1	770-855/062-000	50
● gray	B	N ⊕ L 2L 1L	770-855/064-000	50
● light green	B	1 2 3 4 5	770-875	50
● light green	B	1 ⊕ 2 3 4	770-875/073-000	50
● pink	B	1 2 3 4 5	770-895	50
● pink	B	N ⊕ L I- I+	770-895/080-000	50
● pink	B	N ⊕ L - +	770-895/082-000	50

### DALI, Lighting Management

Color	Coding	Marking	Item No.	PU
● blue	I	N ⊕ L DA- DA+	770-3115	50



### Accessories; for all products on this page



Lockout cap; for plugs; separable; Pole No.: 5

Color	Item No.	PU
● yellow	770-360	100

PU = Packaging Unit; SPU = Subpackaging Unit; Dimensions in mm

# Pluggable PCB Connector ▶ WINSTA® MIDI ▶ 770 Series

## Pole No.: 5

angled ▶ Female connector/socket



770-805/011-000

2

### General mains applications

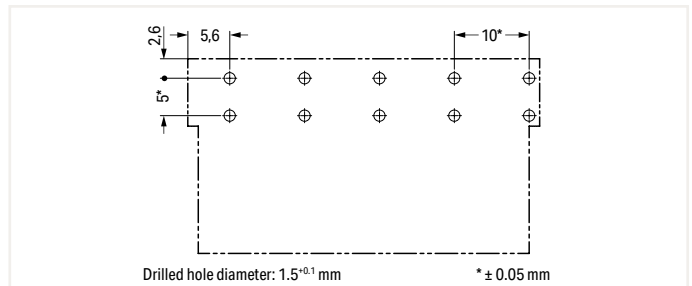
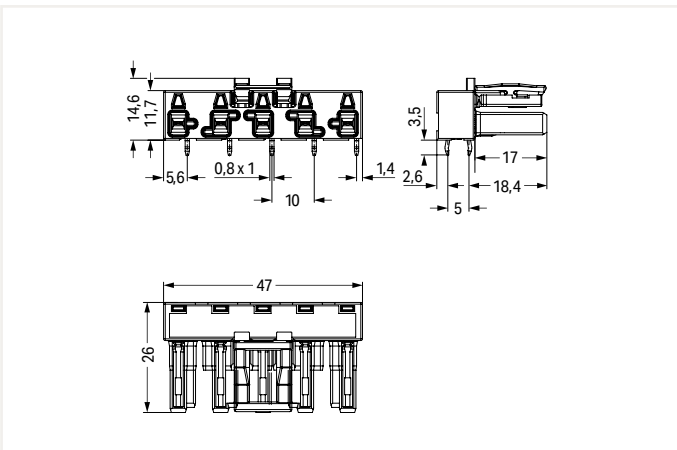
Color	Coding	Marking	Item No.	PU
● black	A	N ⊕ L1 L2 L3	770-805/011-000	50
○ white	A	N ⊕ L1 L2 L3	770-825/011-000	50

### Measurement and regulation technology

Color	Coding	Marking	Item No.	PU
● gray	B	1 2 3 4 5	770-845/011-000	50
● gray	B	N ⊕ L1 L2 L3	770-845/011-000/060-000	50
● gray	B	N ⊕ 3 2 1	770-845/011-000/062-000	50
● gray	B	N ⊕ L 2L 1L	770-845/011-000/064-000	50
● light green	B	1 2 3 4 5	770-865/011-000	50
● pink	B	N ⊕ L I- I+	770-885/011-000/080-000	50
● pink	B	1 2 3 4 5	770-885/011-000	50
● pink	B	N ⊕ L - +	770-885/011-000/082-000	50

### DALI, Lighting Management

Color	Coding	Marking	Item No.	PU
● blue	I	N ⊕ L DA- DA+	770-3105/011-000	50



### Accessories; for all products on this page



Lockout cap; for socket; separable; Pole No.: 12

Color	Item No.	PU
● black	770-201	100
○ white	770-221	100

PU = Packaging Unit; SPU = Subpackaging Unit; Dimensions in mm

# Pluggable PCB Connector ▶ WINSTA® MIDI ▶ 770 Series

## Pole No.: 5

angled ▶ Male connector/plug



770-815/011-000

### General mains applications

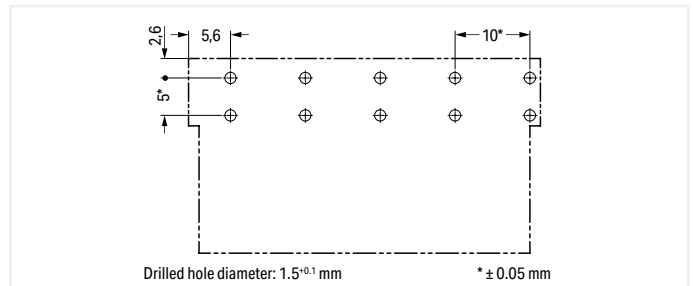
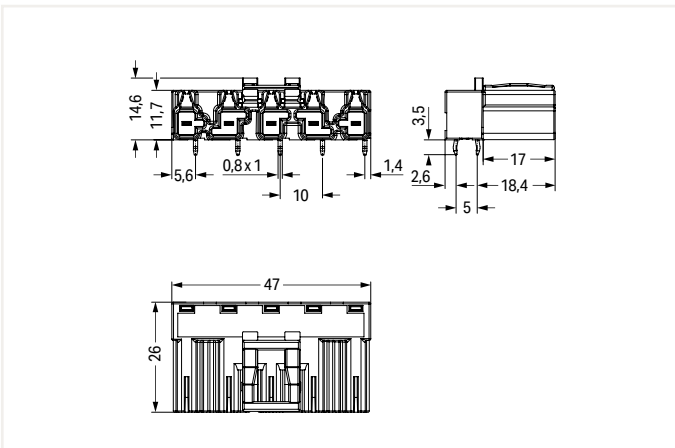
Color	Coding	Marking	Item No.	PU
● black	A	N ⊕ L1 L2 L3	770-815/011-000	50
○ white	A	N ⊕ L1 L2 L3	770-835/011-000	50

### Measurement and regulation technology

Color	Coding	Marking	Item No.	PU
● gray	B	1 2 3 4 5	770-855/011-000	50
● gray	B	N ⊕ L1 L2 L3	770-855/011-000/060-000	50
● gray	B	N ⊕ 3 2 1	770-855/011-000/062-000	50
● gray	B	N ⊕ L2L 1L	770-855/011-000/064-000	50
● light green	B	1 2 3 4 5	770-875/011-000	50
● light green	B	1 ⊕ 2 3 4	770-875/011-000/073-000	50
● pink	B	N ⊕ L I- I+	770-895/011-000/080-000	50
● pink	B	1 2 3 4 5	770-895/011-000	50
● pink	B	N ⊕ L - +	770-895/011-000/082-000	50

### DALI, Lighting Management

Color	Coding	Marking	Item No.	PU
● blue	I	N ⊕ L DA- DA+	770-3115/011-000	50



### Accessories; for all products on this page



Lockout cap; for plugs; separable; Pole No.: 5

Color	Item No.	PU
● yellow	770-360	100

PU = Packaging Unit; SPU = Subpackaging Unit; Dimensions in mm



## Distribution Connector ▶ WINSTA® MIDI ▶ 770 Series

Pole No.: 5



- Protected against mismatching and maintenance-free
- Additional variable coding is possible.

Electrical Data			
Coding	A;B;L;P		
Ratings per	IEC/EN 60664-1		
Overvoltage category	III	III	II
Pollution degree	3	2	2
Rated voltage	400 V	-	-
Rated impulse voltage	6 kV	-	-
Rated current	25 A	-	-
Approbations per	UL 1977		
Rated voltage	600 V		
Rated current	23 A		

Material Data	
Insulation material	Polyamide (PA66)
Contact material	Copper or copper alloy (surface-treated)

Mechanical Data	
Number of mating cycles	200, without resistive load
Mating force of a plug-in connection	Approx. 20 ... 70 N (depending on pole number)
Unmating force of a plug-in connection	Unlocked: approx. 20 ... 70 N (depending on pole number)
Retention force of a plug-in connection	When locked: > 80 N
Protection type	IP20
Note on protection type	When mated: IP2xC (These compact connectors are not designed for use in open, easily accessible areas!)

Environmental Requirements	
Processing temperature	-5 ... +40 °C
Continuous operating temperature	-35 ... +85 °C
Note on continuous operating temperature	Insulating parts for temperatures ≤ 105 °C

All WINSTA® components are 100% protected against mismatching when:

- plugging different numbers of poles
- plugging while rotated 180
- plugging while laterally staggered
- plugging one pole

At least one snap-in connector **without** a locking lever is required on one side when connecting two lights directly via intermediate coupler.

Tool Page 400

See technical section for further information

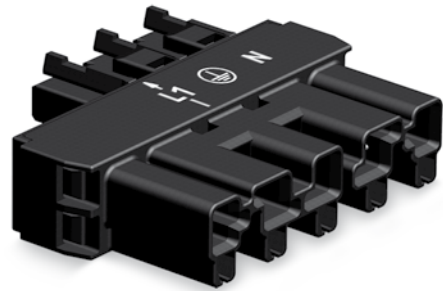
For approvals and corresponding ratings, visit [www.wago.com](http://www.wago.com)

# Distribution Connector ▶ WINSTA® MIDI ▶ 770 Series

## Pole No.: 5

Intermediate coupler

Intermediate coupler ▶ 5- to 3-pole; L1 - L



770-605

770-901

**General mains applications**

Color	Coding	Marking	Item No.	PU
● black	A	plain	770-605	100
○ white	A	plain	770-655	100

**General mains applications**

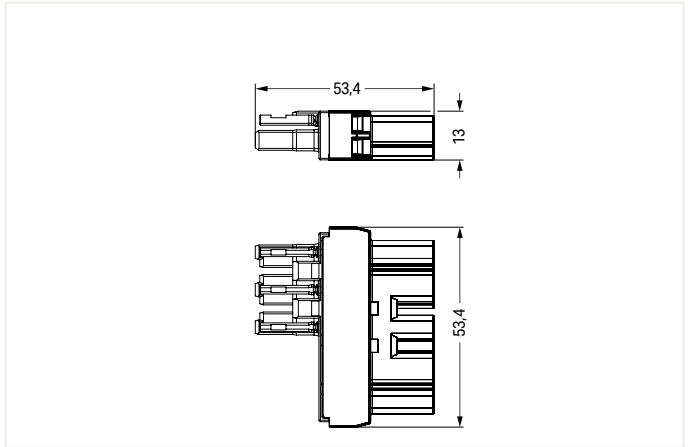
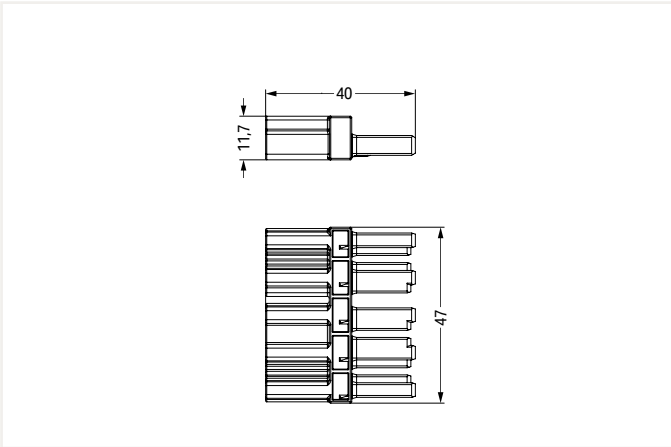
Color	Coding	Marking	Item No.	PU
● black	A	L1 - L ⊕ N	770-901	50
○ white	A	L1 - L ⊕ N	770-951	50

**DALI, Lighting Management**

Color	Coding	Marking	Item No.	PU
● blue	I	plain	770-619	100

**EDV (UPS)**

Color	Coding	Marking	Item No.	PU
● red	P	L1 - L ⊕ N	770-911	50



**Accessories; for all products on this page**



Lockout cap; for socket; separable; Pole No.: 12			
Color	Item No.	PU	
● black	770-201	100	
○ white	770-221	100	

Lockout cap; for plugs; separable; Pole No.: 5			
Color	Item No.	PU	
● yellow	770-360	100	

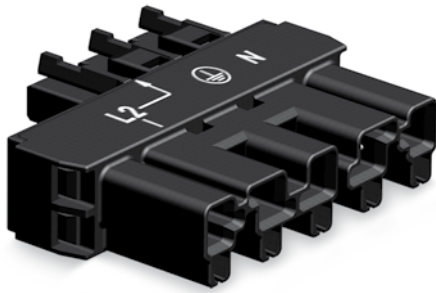
PU = Packaging Unit; SPU = Subpackaging Unit; Dimensions in mm

# Distribution Connector ▶ WINSTA® MIDI ▶ 770 Series

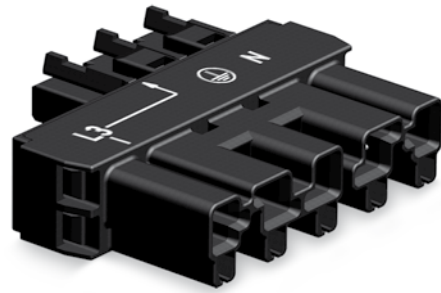
## Pole No.: 5

Intermediate coupler ▶ 5- to 3-pole; L2 - L

Intermediate coupler ▶ 5- to 3-pole; L3 - L



770-902



770-903

### General mains applications

Color	Coding	Marking	Item No.	PU
● black	A	L2 - L ⊕ N	770-902	50
○ white	A	L2 - L ⊕ N	770-952	50

### General mains applications

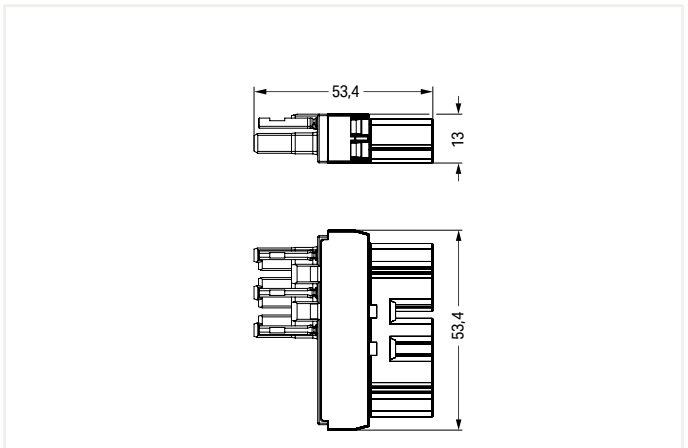
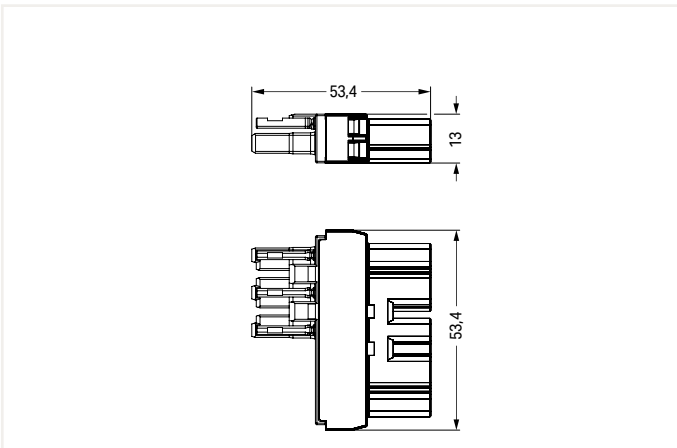
Color	Coding	Marking	Item No.	PU
● black	A	L3 - L ⊕ N	770-903	50
○ white	A	L3 - L ⊕ N	770-953	50

### EDV (UPS)

Color	Coding	Marking	Item No.	PU
● red	P	L2 - L ⊕ N	770-912	50

### EDV (UPS)

Color	Coding	Marking	Item No.	PU
● red	P	L3 - L ⊕ N	770-913	50



### Accessories; for all products on this page



Lockout cap; for socket; separable; Pole No.: 12			
Color	Item No.	PU	SPU
● black	770-201	100	100
○ white	770-221	100	100



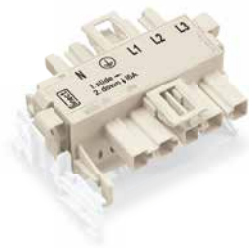
Lockout cap; for plugs; separable; Pole No.: 5			
Color	Item No.	PU	SPU
● yellow	770-360	100	100

PU = Packaging Unit; SPU = Subpackaging Unit; Dimensions in mm

# Distribution Connector ▶ WINSTA® MIDI ▶ 770 Series

## Pole No.: 5

Linect® T-connector



770-6225

**General mains applications**

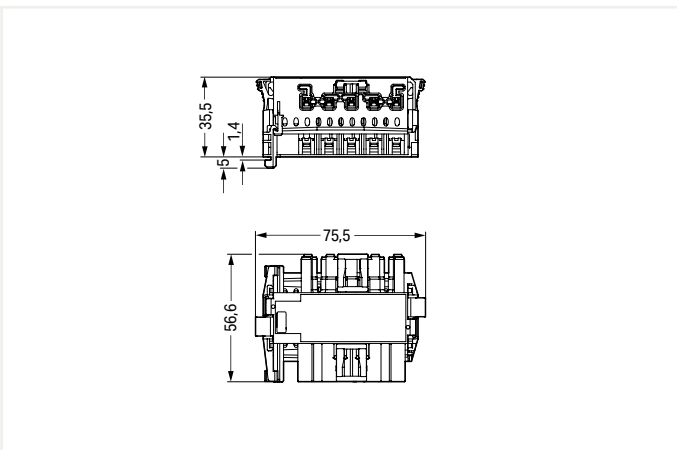
Cover Color	Coding	Marking	Item No.	PU
○ white	A	N ⊕ L1 L2 L3	770-6225	20

**DALI, Lighting Management**

Cover Color	Coding	Marking	Item No.	PU
● blue	I	N ⊕ L DA- DA+	770-7105	20

**Emergency power supply**

Cover Color	Coding	Marking	Item No.	PU
● dark gray	L	N ⊕ L N' L'	770-7505	20



2

**Accessories; for all products on this page**



Lockout cap; for socket; separable; Pole No.: 12			
Color	Item No.	PU	
● black	770-201	100	
○ white	770-221	100	

Lockout cap; for plugs; separable; Pole No.: 5			
Color	Item No.	PU	
● yellow	770-360	100	

PU = Packaging Unit; SPU = Subpackaging Unit; Dimensions in mm



# Distribution Connector ▶ WINSTA® MIDI ▶ 770 Series

## Pole No.: 5

T-distribution connector ▶ Number of locking levers: 2

T-distribution connector ▶ for flying leads ▶ Number of locking levers: 3



770-621



770-621

### General mains applications

Color	Coding	Marking	Item No.	PU
● black	A	N ⊕ L1 L2 L3	770-621	50
○ white	A	N ⊕ L1 L2 L3	770-671	50

### Measurement and regulation technology

Color	Coding	Marking	Item No.	PU
● gray	B	1 2 3 4 5	770-1641	50
● light green	B	1 2 3 4 5	770-1642	50
● pink	B	1 2 3 4 5	770-1643	50

### DALI, Lighting Management

Color	Coding	Marking	Item No.	PU
● blue	I	N ⊕ L DA- DA+	770-617	50

### EDV (UPS)

Color	Coding	Marking	Item No.	PU
● red	P	N ⊕ L1 L2 L3	770-921	50

### General mains applications

Color	Coding	Marking	Item No.	PU
● black	A	N ⊕ L1 L2 L3	770-622	50
○ white	A	N ⊕ L1 L2 L3	770-672	50

### Measurement and regulation technology

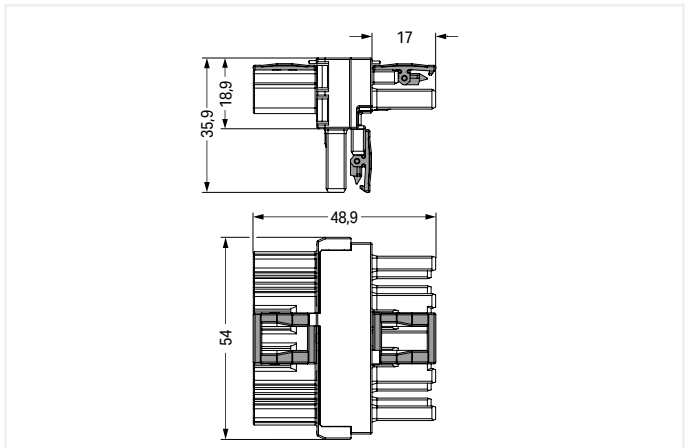
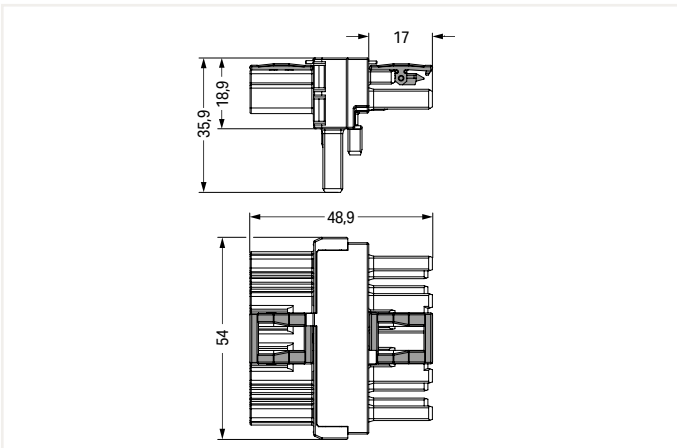
Color	Coding	Marking	Item No.	PU
● gray	B	1 2 3 4 5	770-1741	50
● light green	B	1 2 3 4 5	770-1742	50
● pink	B	1 2 3 4 5	770-1743	50

### DALI, Lighting Management

Color	Coding	Marking	Item No.	PU
● blue	I	N ⊕ L DA- DA+	770-620	50

### EDV (UPS)

Color	Coding	Marking	Item No.	PU
● red	P	N ⊕ L1 L2 L3	770-922	50



### Accessories; for all products on this page



Color	Item No.	PU
● black	770-201	100
○ white	770-221	100



Color	Item No.	PU
● yellow	770-360	100

PU = Packaging Unit; SPU = Subpackaging Unit; Dimensions in mm

# Distribution Connector ▶ WINSTA® MIDI ▶ 770 Series

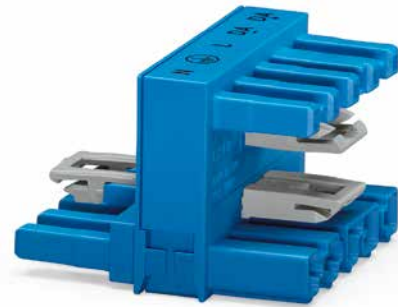
## Pole No.: 5

h-distribution connector (bi-directional) ▶ Number of locking levers: 2

h-distribution connector (bi-directional) ▶ for flying leads ▶ Number of locking levers: 3



770-992

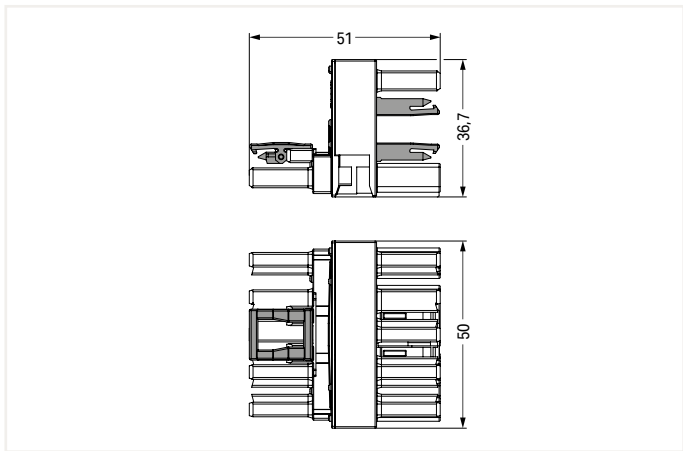
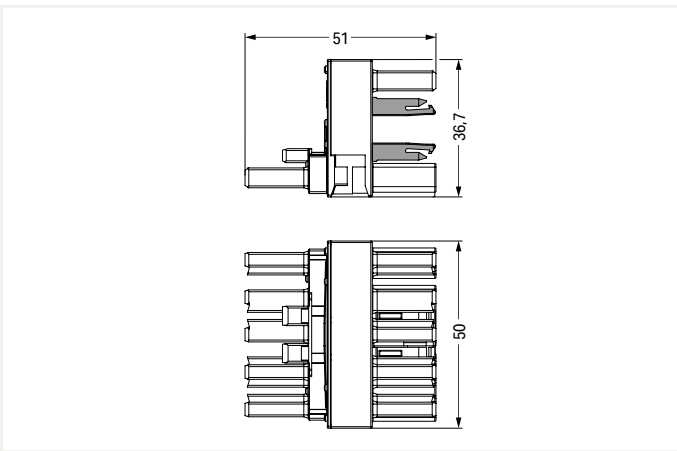


770-993

2

DALI, Lighting Management				
Color	Coding	Marking	Item No.	PU
● blue	I	N ⊕ L DA- DA+	770-992	25

DALI, Lighting Management				
Color	Coding	Marking	Item No.	PU
● blue	I	N ⊕ L DA- DA+	770-993	25



Accessories; for all products on this page



Lockout cap; for socket; separable; Pole No.: 12		
Color	Item No.	PU
● black	770-201	100
○ white	770-221	100



Lockout cap; for plugs; separable; Pole No.: 5		
Color	Item No.	PU
● yellow	770-360	100



Mounting plate; for distribution connectors (except T-distribution connectors); 5-pole		
Color	Item No.	PU
● black	770-625	25
○ white	770-675	25

PU = Packaging Unit; SPU = Subpackaging Unit; Dimensions in mm

# Distribution Connector ▶ WINSTA® MIDI ▶ 770 Series

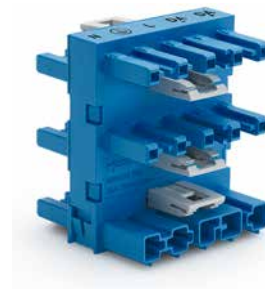
## Pole No.: 5

Distribution connector, 3-way,

Distribution connector (5-way)



770-609



770-1947

**General mains applications**

Color	Coding	Marking	Item No.	PU
● black	A	N ⊕ L1 L2 L3	770-609	25
○ white	A	N ⊕ L1 L2 L3	770-659	25

**DALI, Lighting Management**

Color	Coding	Marking	Item No.	PU
● blue	I	N ⊕ L DA- DA+	770-1947	20

**Measurement and regulation technology**

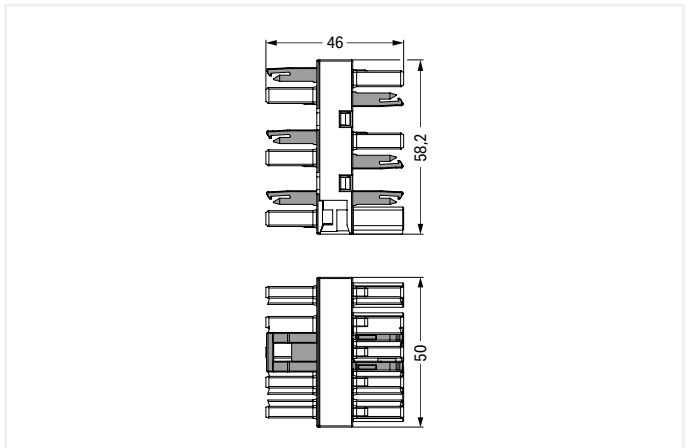
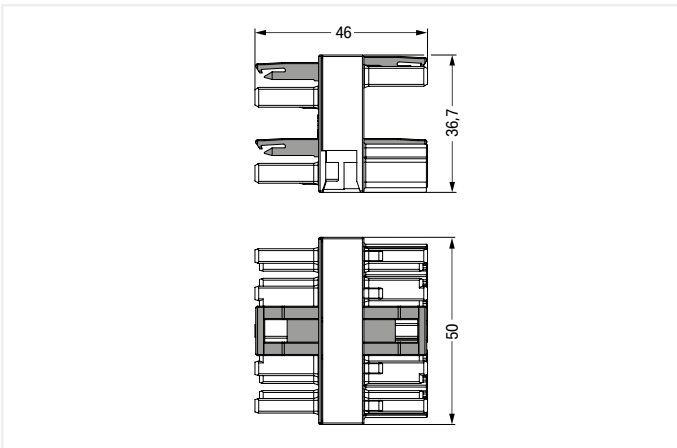
Color	Coding	Marking	Item No.	PU
● gray	B	1 2 3 4 5	770-1744	25
● light green	B	1 2 3 4 5	770-1745	25
● pink	B	1 2 3 4 5	770-1746	25

**DALI, Lighting Management**

Color	Coding	Marking	Item No.	PU
● blue	I	N ⊕ L DA- DA+	770-618	25

**EDV (UPS)**

Color	Coding	Marking	Item No.	PU
● red	P	N ⊕ L1 L2 L3	770-909	25



**Accessories; for all products on this page**



Color	Item No.	PU
● black	770-201	100
○ white	770-221	100



Color	Item No.	PU
● yellow	770-360	100



Color	Item No.	PU
● black	770-625	25
○ white	770-675	25

PU = Packaging Unit; SPU = Subpackaging Unit; Dimensions in mm

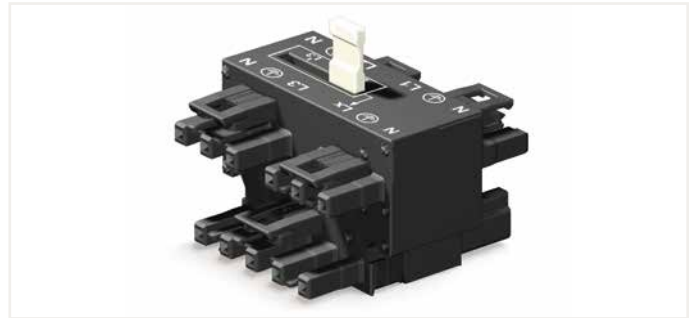
# Distribution Connector ▶ WINSTA® MIDI ▶ 770 Series

## Pole No.: 5

Three-phase to single-phase distribution connector



770-640



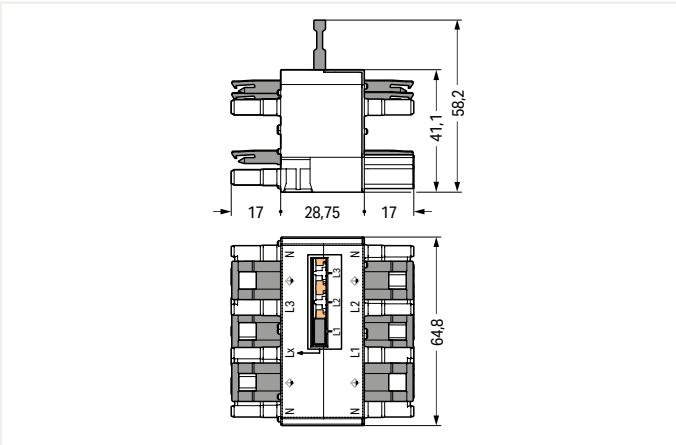
Movable jumper

**General mains applications**

Color	Coding	Marking	Item No.	PU
● black	A		770-640	10
○ white	A		770-690	10

**EDV (UPS)**

Color	Coding	Marking	Item No.	PU
● red	P		770-940	10



Jumper pushed down, flush with the housing (position L1)



Additional h-distribution connectors double L1 and L3.

This results in the following connection option:  
L1/L1/L2/L2/L3/L3 with jumper in position L2

Notice: h-distribution connectors can only be plugged on L1 and L3.

**Accessories; for all products on this page**



Lockout cap; for socket; separable; Pole No.: 12		
Color	Item No.	PU
● black	770-201	100
○ white	770-221	100



Lockout cap; for plugs; separable; Pole No.: 5		
Color	Item No.	PU
● yellow	770-360	100



Mounting plate; for distribution connectors (except T-distribution connectors); 5-pole		
Color	Item No.	PU
● black	770-625	25
○ white	770-675	25

PU = Packaging Unit; SPU = Subpackaging Unit; Dimensions in mm

# Distribution Connector ▶ WINSTA® MIDI ▶ 770 Series

## Pole No.: 5

Distribution connector with phase selection



770-611



Lift jumper out of delivery position (L2) using a screwdriver and move it into the desired position.



Push down jumper in its new position (picture shows L3).



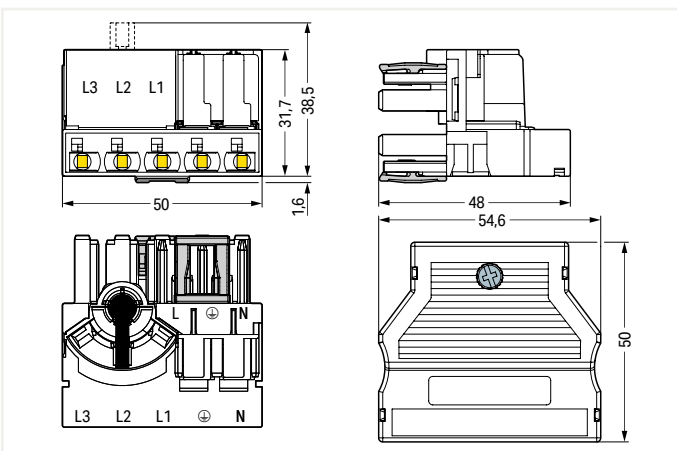
The 5-pole energy circuit can be extended using pluggable cable assemblies.



Plugging a 3-pole tap-off cable.

### General mains applications

Color	Coding	Marking	Item No.	PU
● black	A	N ⊕ L1 L2 L3	770-611	10
○ white	A	N ⊕ L1 L2 L3	770-661	10



### Accessories; for all products on this page



Lockout cap; for socket; separable; Pole No.: 12		
Color	Item No.	PU
● black	770-201	100
○ white	770-221	100



Lockout cap; for plugs; separable; Pole No.: 5		
Color	Item No.	PU
● yellow	770-360	100



Mounting plate; for distribution connectors (except T-distribution connectors); 5-pole		
Color	Item No.	PU
● black	770-625	25
○ white	770-675	25

PU = Packaging Unit; SPU = Subpackaging Unit; Dimensions in mm



## Cable Assembly ▶ WINSTA® MIDI ▶ 771 Series

Pole No.: 5 ▶ Protection type: IP20 ▶ Fire class per EN 50575: E<sub>ca</sub>

- Protected against mismatching and maintenance-free
- Additional variable coding is possible.

Electrical Data									
Coding	A;B;L;P			A;L;P			A		
Wire cross-section	1.5 mm <sup>2</sup>			2.5 mm <sup>2</sup>			4 mm <sup>2</sup>		
Ratings per	IEC/EN 60664-1			IEC/EN 60664-1			IEC/EN 60664-1		
Overtoltage category	III	III	II	III	III	II	III	III	II
Pollution degree	3	2	2	3	2	2	3	2	2
Rated voltage	400 V	-	-	400 V	-	-	400 V	-	-
Rated impulse voltage	6 kV	-	-	6 kV	-	-	6 kV	-	-
Rated current	16 A	-	-	20 A	-	-	25 A	-	-

Electrical Data									
Coding	B								
Wire cross-section	1 mm <sup>2</sup>								
Ratings per	IEC/EN 60664-1								
Overtoltage category	III	III	II						
Pollution degree	3	2	2						
Rated voltage	400 V	-	-						
Rated impulse voltage	6 kV	-	-						
Rated current	10 A	-	-						

Material Data	
Insulation material	Polyamide (PA66)
Contact material	Copper or copper alloy (surface-treated)
Fire class per EN 50575	E <sub>ca</sub>

Mechanical Data	
Number of mating cycles	200, without resistive load
Mating force of a plug-in connection	approx. 20 ... 70 N (depending on pole number)
Unmating force of a plug-in connection	when unlocked: approx. 20 ... 70 N (depending on pole number)
Retention force of a plug-in connection	when locked: > 80N
Protection type	IP20
Note on protection type	When mated: IP2xC (These compact connectors are not designed for use in open, easily accessible areas!)

Environmental Requirements	
Processing temperature	-5 ... +40 °C
Continuous operating temperature	-35 ... +85 °C
Note on continuous operating temperature	PVC cable for temperatures ≤ 70 °C (including halogen-free) Insulating parts for temperatures ≤ 105 °C

All WINSTA® components are 100% protected against mismatching when:

- plugging different numbers of poles
- plugging while rotated 180
- plugging while laterally staggered
- plugging one pole

Cables with a different fire class can be found in the eShop.

Cover Page 380

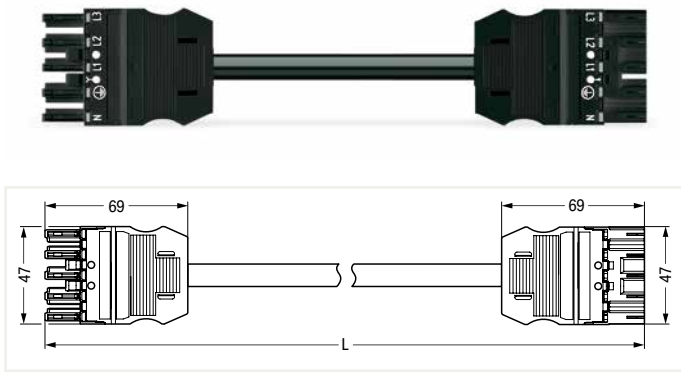
Marking Page 405

See technical section for further information

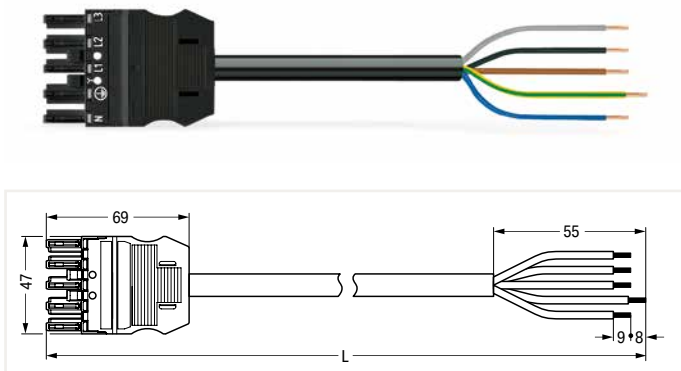
For approvals and corresponding ratings, visit [www.wago.com](http://www.wago.com)

### Cable Assembly ▶ WINSTA® MIDI ▶ 771 Series

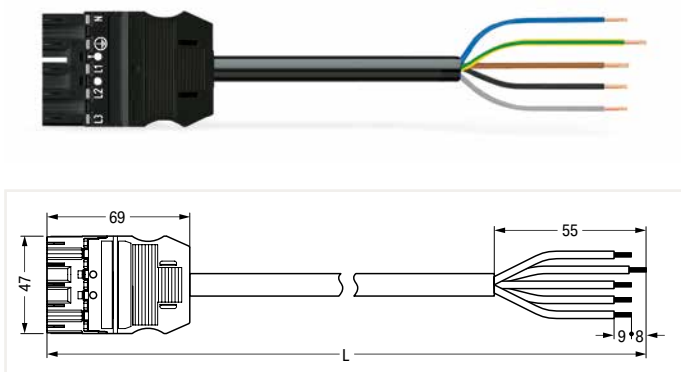
Pole No.: 5 ▶ Protection type: IP20 ▶ Fire class per EN 50575: E<sub>ca</sub> ▶ Coding: A ▶ 1.5 mm<sup>2</sup> ▶ Marking: N ⊕ L1 L2 L3 ▶ PVC ▶ Sheathed cable diameter: 9.3 ... 11.6 mm ▶ H05VV-F 5G1.5 ▶ General mains applications



Total length	Connector color/Strain relief color		PU
	black/black	white/white	
1 m	771-9995/006-101	771-9995/006-102	1
2 m	771-9995/006-201	771-9995/006-202	1
3 m	771-9995/006-301	771-9995/006-302	1
4 m	771-9995/006-401	771-9995/006-402	1
5 m	771-9995/006-501	771-9995/006-502	1
6 m	771-9995/006-601	771-9995/006-602	1
7 m	771-9995/006-701	771-9995/006-702	1
8 m	771-9995/006-801	771-9995/006-802	1



Total length	Connector color/Strain relief color		PU
	black/black	white/white	
1 m	771-9995/106-101	771-9995/106-102	1
2 m	771-9995/106-201	771-9995/106-202	1
3 m	771-9995/106-301	771-9995/106-302	1
4 m	771-9995/106-401	771-9995/106-402	1
5 m	771-9995/106-501	771-9995/106-502	1
6 m	771-9995/106-601	771-9995/106-602	1
7 m	771-9995/106-701	771-9995/106-702	1
8 m	771-9995/106-801	771-9995/106-802	1



Total length	Connector color/Strain relief color		PU
	black/black	white/white	
1 m	771-9995/206-101	771-9995/206-102	1
2 m	771-9995/206-201	771-9995/206-202	1
3 m	771-9995/206-301	771-9995/206-302	1
4 m	771-9995/206-401	771-9995/206-402	1
5 m	771-9995/206-501	771-9995/206-502	1
6 m	771-9995/206-601	771-9995/206-602	1
7 m	771-9995/206-701	771-9995/206-702	1
8 m	771-9995/206-801	771-9995/206-802	1

Accessories; for all products on this page



Locking lever; for flying leads; manually operated		
Color	Item No.	PU (SPU)
● black	770-101	100 (25)
○ white	770-121	100 (25)



Locking lever; for flying leads; tool operated		
Color	Item No.	PU (SPU)
● black	770-111	100 (25)
○ white	770-131	100 (25)



Mounting carrier; for flying leads; 2- to 5-pole		
Color	Item No.	PU
● black	770-310	25

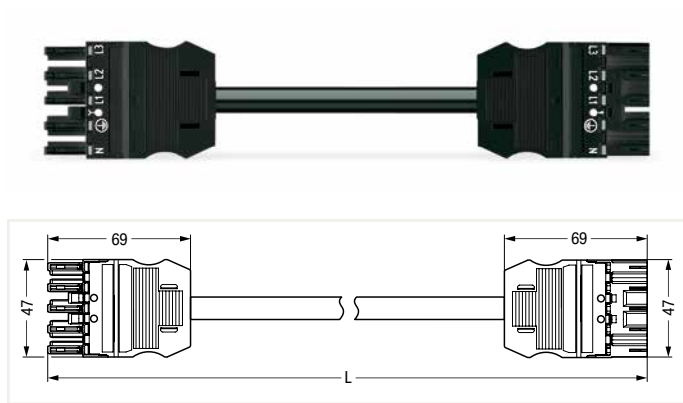
PU = Packaging Unit; SPU = Subpackaging Unit; Dimensions in mm



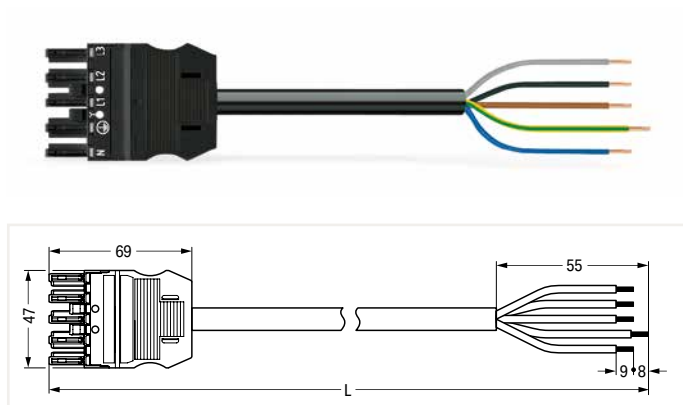
## Cable Assembly ▶ WINSTA® MIDI ▶ 771 Series

Pole No.: 5 ▶ Protection type: IP20 ▶ Fire class per EN 50575: E<sub>ca</sub> ▶ Coding: A ▶ 1.5 mm<sup>2</sup> ▶ Marking: N ⊕ L1 L2 L3 ▶ Halogen-free ▶ Sheathed cable diameter: 9.3 ... 11.6 mm ▶ H05Z1Z1-F 5G1.5 ▶ General mains applications

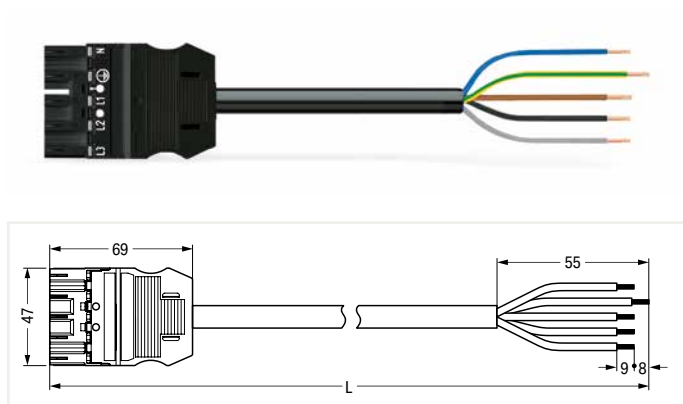
2



Total length	Connector color/Strain relief color		PU
	black/black	white/white	
1 m	771-9995/016-101	771-9995/016-102	1
2 m	771-9995/016-201	771-9995/016-202	1
3 m	771-9995/016-301	771-9995/016-302	1
4 m	771-9995/016-401	771-9995/016-402	1
5 m	771-9995/016-501	771-9995/016-502	1
6 m	771-9995/016-601	771-9995/016-602	1
7 m	771-9995/016-701	771-9995/016-702	1
8 m	771-9995/016-801	771-9995/016-802	1



Total length	Connector color/Strain relief color		PU
	black/black	white/white	
1 m	771-9995/116-101	771-9995/116-102	1
2 m	771-9995/116-201	771-9995/116-202	1
3 m	771-9995/116-301	771-9995/116-302	1
4 m	771-9995/116-401	771-9995/116-402	1
5 m	771-9995/116-501	771-9995/116-502	1
6 m	771-9995/116-601	771-9995/116-602	1
7 m	771-9995/116-701	771-9995/116-702	1
8 m	771-9995/116-801	771-9995/116-802	1



Total length	Connector color/Strain relief color		PU
	black/black	white/white	
1 m	771-9995/216-101	771-9995/216-102	1
2 m	771-9995/216-201	771-9995/216-202	1
3 m	771-9995/216-301	771-9995/216-302	1
4 m	771-9995/216-401	771-9995/216-402	1
5 m	771-9995/216-501	771-9995/216-502	1
6 m	771-9995/216-601	771-9995/216-602	1
7 m	771-9995/216-701	771-9995/216-702	1
8 m	771-9995/216-801	771-9995/216-802	1

### Accessories; for all products on this page



Locking lever; for flying leads; manually operated		
Color	Item No.	PU (SPU)
● black	770-101	100 (25)
○ white	770-121	100 (25)



Locking lever; for flying leads; tool operated		
Color	Item No.	PU (SPU)
● black	770-111	100 (25)
○ white	770-131	100 (25)

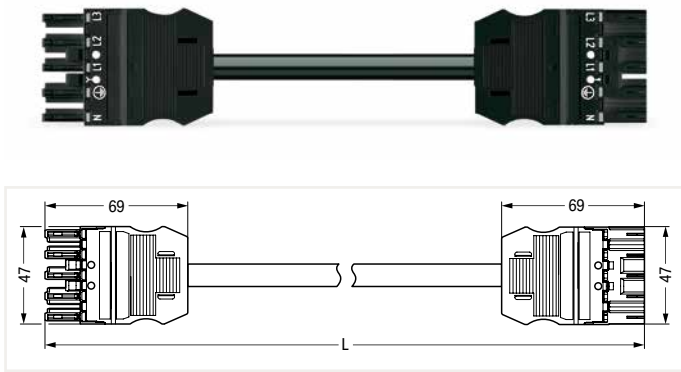


Mounting carrier; for flying leads; 2- to 5-pole		
Color	Item No.	PU
● black	770-310	25

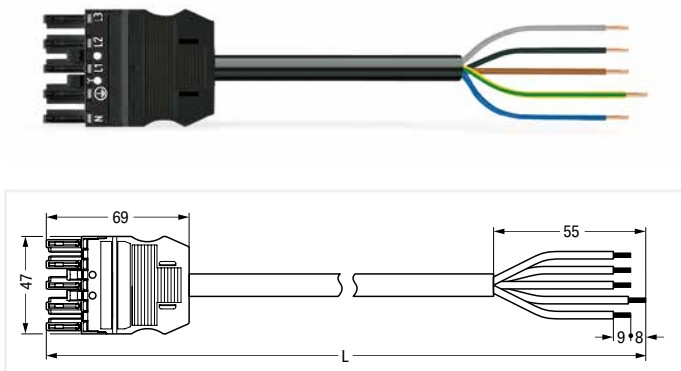
PU = Packaging Unit; SPU = Subpackaging Unit; Dimensions in mm

### Cable Assembly ▶ WINSTA® MIDI ▶ 771 Series

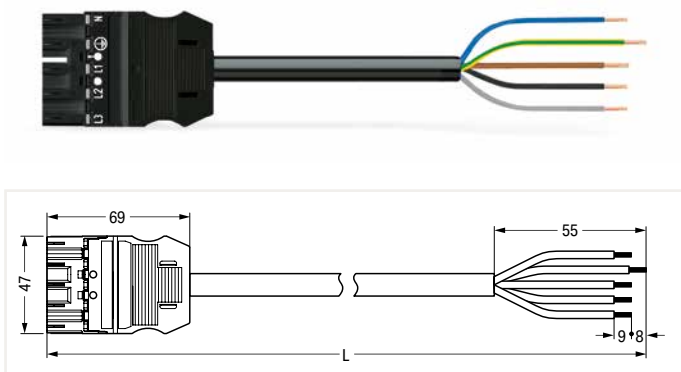
Pole No.: 5 ▶ Protection type: IP20 ▶ Fire class per EN 50575: E<sub>ca</sub> ▶ Coding: A ▶ 2.5 mm<sup>2</sup> ▶ Marking: N ⊕ L1 L2 L3 ▶ PVC ▶ Sheathed cable diameter: 11.2 ... 13.9 mm ▶ H05VV-F 5G2.5 ▶ General mains applications



Interconnecting cable ▶ Socket - Plug			
Total length	Connector color/Strain relief color		PU
	black/black	white/white	
1 m	771-9995/007-101	771-9995/007-102	1
2 m	771-9995/007-201	771-9995/007-202	1
3 m	771-9995/007-301	771-9995/007-302	1
4 m	771-9995/007-401	771-9995/007-402	1
5 m	771-9995/007-501	771-9995/007-502	1
6 m	771-9995/007-601	771-9995/007-602	1
7 m	771-9995/007-701	771-9995/007-702	1
8 m	771-9995/007-801	771-9995/007-802	1



Connecting cable ▶ Socket - Free end ▶ Strip length (outer insulation): 55 mm			
Total length	Connector color/Strain relief color		PU
	black/black	white/white	
1 m	771-9995/107-101	771-9995/107-102	1
2 m	771-9995/107-201	771-9995/107-202	1
3 m	771-9995/107-301	771-9995/107-302	1
4 m	771-9995/107-401	771-9995/107-402	1
5 m	771-9995/107-501	771-9995/107-502	1
6 m	771-9995/107-601	771-9995/107-602	1
7 m	771-9995/107-701	771-9995/107-702	1
8 m	771-9995/107-801	771-9995/107-802	1



Connecting cable ▶ Plug - Free end ▶ Strip length (outer insulation): 55 mm			
Total length	Connector color/Strain relief color		PU
	black/black	white/white	
1 m	771-9995/207-101	771-9995/207-102	1
2 m	771-9995/207-201	771-9995/207-202	1
3 m	771-9995/207-301	771-9995/207-302	1
4 m	771-9995/207-401	771-9995/207-402	1
5 m	771-9995/207-501	771-9995/207-502	1
6 m	771-9995/207-601	771-9995/207-602	1
7 m	771-9995/207-701	771-9995/207-702	1
8 m	771-9995/207-801	771-9995/207-802	1

Accessories; for all products on this page



Locking lever; for flying leads; manually operated		
Color	Item No.	PU (SPU)
● black	770-101	100 (25)
○ white	770-121	100 (25)



Locking lever; for flying leads; tool operated		
Color	Item No.	PU (SPU)
● black	770-111	100 (25)
○ white	770-131	100 (25)



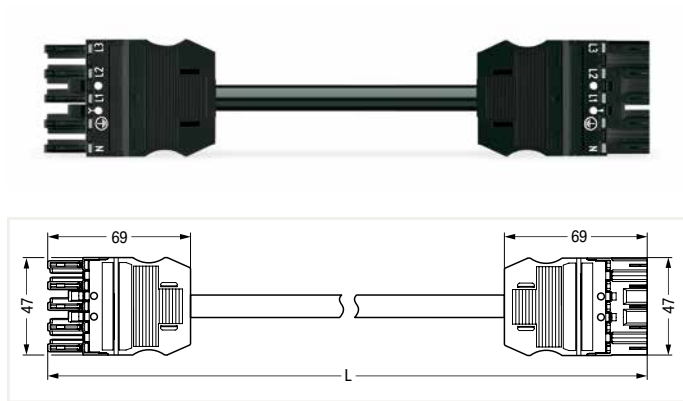
Mounting carrier; for flying leads; 2- to 5-pole		
Color	Item No.	PU
● black	770-310	25

PU = Packaging Unit; SPU = Subpackaging Unit; Dimensions in mm

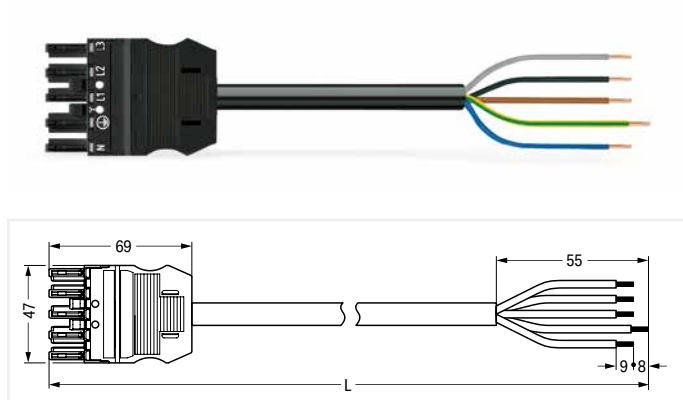
## Cable Assembly ▶ WINSTA® MIDI ▶ 771 Series

Pole No.: 5 ▶ Protection type: IP20 ▶ Fire class per EN 50575: E<sub>ca</sub> ▶ Coding: A ▶ 2.5 mm<sup>2</sup> ▶ Marking: N ⊕ L1 L2 L3 ▶ Halogen-free ▶ Sheathed cable diameter: 11.2 ... 13.9 mm ▶ H05Z1Z1-F 5G2.5 ▶ General mains applications

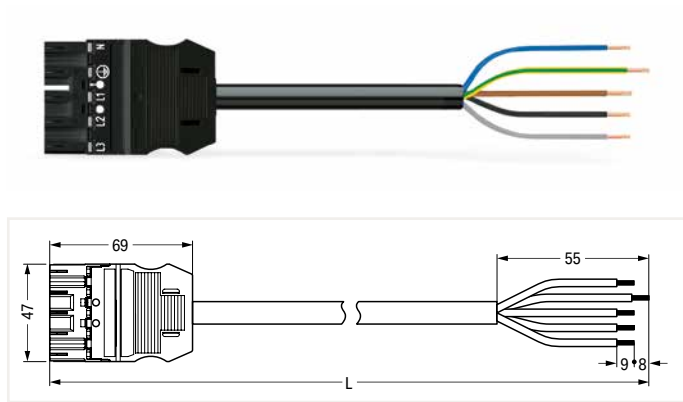
2



Total length	Connector color/Strain relief color		PU
	black/black	white/white	
1 m	771-9995/017-101	771-9995/017-102	1
2 m	771-9995/017-201	771-9995/017-202	1
3 m	771-9995/017-301	771-9995/017-302	1
4 m	771-9995/017-401	771-9995/017-402	1
5 m	771-9995/017-501	771-9995/017-502	1
6 m	771-9995/017-601	771-9995/017-602	1
7 m	771-9995/017-701	771-9995/017-702	1
8 m	771-9995/017-801	771-9995/017-802	1



Total length	Connector color/Strain relief color		PU
	black/black	white/white	
1 m	771-9995/117-101	771-9995/117-102	1
2 m	771-9995/117-201	771-9995/117-202	1
3 m	771-9995/117-301	771-9995/117-302	1
4 m	771-9995/117-401	771-9995/117-402	1
5 m	771-9995/117-501	771-9995/117-502	1
6 m	771-9995/117-601	771-9995/117-602	1
7 m	771-9995/117-701	771-9995/117-702	1
8 m	771-9995/117-801	771-9995/117-802	1



Total length	Connector color/Strain relief color		PU
	black/black	white/white	
1 m	771-9995/217-101	771-9995/217-102	1
2 m	771-9995/217-201	771-9995/217-202	1
3 m	771-9995/217-301	771-9995/217-302	1
4 m	771-9995/217-401	771-9995/217-402	1
5 m	771-9995/217-501	771-9995/217-502	1
6 m	771-9995/217-601	771-9995/217-602	1
7 m	771-9995/217-701	771-9995/217-702	1
8 m	771-9995/217-801	771-9995/217-802	1

Accessories; for all products on this page



Locking lever; for flying leads; manually operated		
Color	Item No.	PU (SPU)
● black	770-101	100 (25)
○ white	770-121	100 (25)



Locking lever; for flying leads; tool operated		
Color	Item No.	PU (SPU)
● black	770-111	100 (25)
○ white	770-131	100 (25)

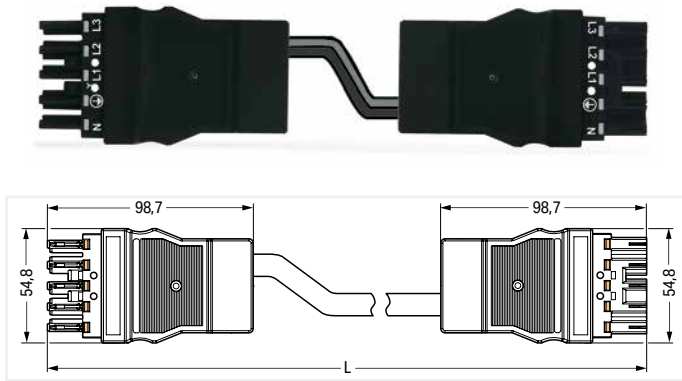


Mounting carrier; for flying leads; 2- to 5-pole		
Color	Item No.	PU
● black	770-310	25

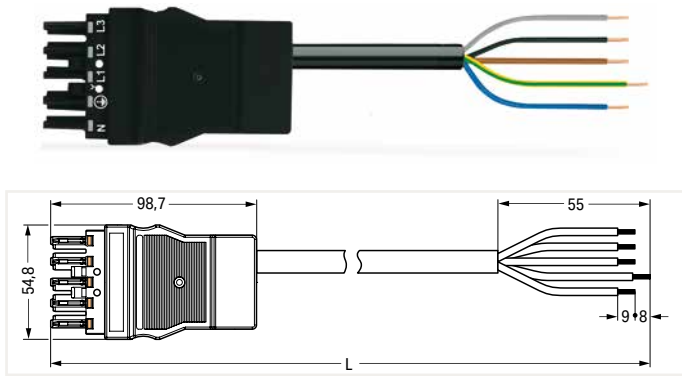
PU = Packaging Unit; SPU = Subpackaging Unit; Dimensions in mm

### Cable Assembly ▶ WINSTA® MIDI ▶ 771 Series

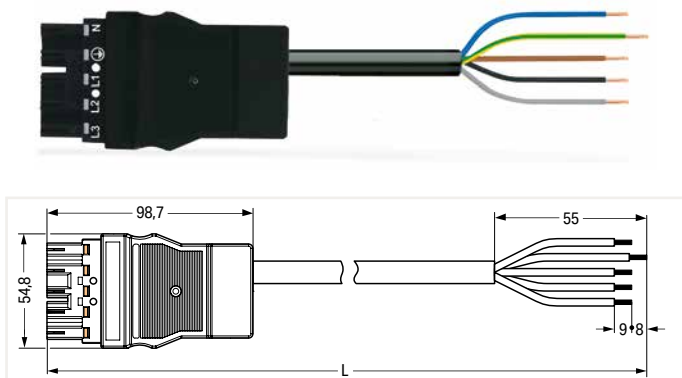
Pole No.: 5 ▶ Protection type: IP20 ▶ Fire class per EN 50575: E<sub>ca</sub> ▶ Coding: A ▶ 4 mm<sup>2</sup> ▶ Marking: N ⊕ L1 L2 L3 ▶ PVC ▶ Sheathed cable diameter: 13 ... 16.1 mm ▶ H05VV-F 5G4 ▶ General mains applications



Interconnecting cable ▶ Socket - Plug			
Total length	Connector color/Strain relief color		PU
	black/black		
1 m	771-8995/008-101		1
2 m	771-8995/008-201		1
3 m	771-8995/008-301		1
4 m	771-8995/008-401		1
5 m	771-8995/008-501		1
6 m	771-8995/008-601		1
7 m	771-8995/008-701		1
8 m	771-8995/008-801		1



Connecting cable ▶ Socket - Free end ▶ Strip length (outer insulation): 55 mm			
Total length	Connector color/Strain relief color		PU
	black/black		
1 m	771-8995/108-101		1
2 m	771-8995/108-201		1
3 m	771-8995/108-301		1
4 m	771-8995/108-401		1
5 m	771-8995/108-501		1
6 m	771-8995/108-601		1
7 m	771-8995/108-701		1
8 m	771-8995/108-801		1



Connecting cable ▶ Plug - Free end ▶ Strip length (outer insulation): 55 mm			
Total length	Connector color/Strain relief color		PU
	black/black		
1 m	771-8995/208-101		1
2 m	771-8995/208-201		1
3 m	771-8995/208-301		1
4 m	771-8995/208-401		1
5 m	771-8995/208-501		1
6 m	771-8995/208-601		1
7 m	771-8995/208-701		1
8 m	771-8995/208-801		1

Accessories; for all products on this page



Locking lever; for flying leads; manually operated		
Color	Item No.	PU (SPU)
● black	770-101	100 (25)
○ white	770-121	100 (25)



Locking lever; for flying leads; tool operated		
Color	Item No.	PU (SPU)
● black	770-111	100 (25)
○ white	770-131	100 (25)



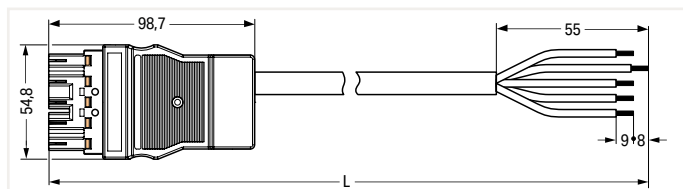
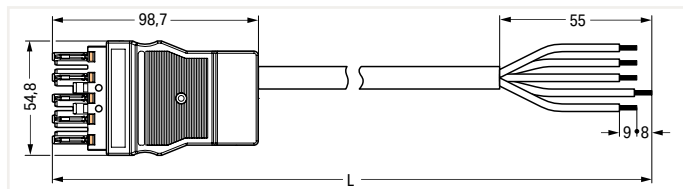
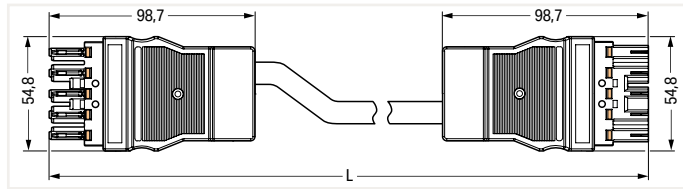
Mounting carrier; for flying leads; 2- to 5-pole		
Color	Item No.	PU
● black	770-310	25

PU = Packaging Unit; SPU = Subpackaging Unit; Dimensions in mm

## Cable Assembly ▶ WINSTA® MIDI ▶ 771 Series

Pole No.: 5 ▶ Protection type: IP20 ▶ Fire class per EN 50575: E<sub>ca</sub> ▶ Coding: A ▶ 4 mm<sup>2</sup> ▶ Marking: N  
 ⊕ L1 L2 L3 ▶ Halogen-free ▶ Sheathed cable diameter: 13 ... 16.1 mm ▶ H05Z1Z1-F 5G4 ▶ General mains applications

2



Interconnecting cable ▶ Socket - Plug			
Total length	Connector color/Strain relief color		PU
	black/black		
1 m	771-8995/018-101		1
2 m	771-8995/018-201		1
3 m	771-8995/018-301		1
4 m	771-8995/018-401		1
5 m	771-8995/018-501		1
6 m	771-8995/018-601		1
7 m	771-8995/018-701		1
8 m	771-8995/018-801		1

Connecting cable ▶ Socket - Free end ▶ Strip length (outer insulation): 55 mm			
Total length	Connector color/Strain relief color		PU
	black/black		
1 m	771-8995/118-101		1
2 m	771-8995/118-201		1
3 m	771-8995/118-301		1
4 m	771-8995/118-401		1
5 m	771-8995/118-501		1
6 m	771-8995/118-601		1
7 m	771-8995/118-701		1
8 m	771-8995/118-801		1

Connecting cable ▶ Plug - Free end ▶ Strip length (outer insulation): 55 mm			
Total length	Connector color/Strain relief color		PU
	black/black		
1 m	771-8995/218-101		1
2 m	771-8995/218-201		1
3 m	771-8995/218-301		1
4 m	771-8995/218-401		1
5 m	771-8995/218-501		1
6 m	771-8995/218-601		1
7 m	771-8995/218-701		1
8 m	771-8995/218-801		1

Accessories; for all products on this page



Locking lever; for flying leads; manually operated		
Color	Item No.	PU (SPU)
● black	770-101	100 (25)
○ white	770-121	100 (25)



Locking lever; for flying leads; tool operated		
Color	Item No.	PU (SPU)
● black	770-111	100 (25)
○ white	770-131	100 (25)



Mounting carrier; for flying leads; 2- to 5-pole		
Color	Item No.	PU
● black	770-310	25

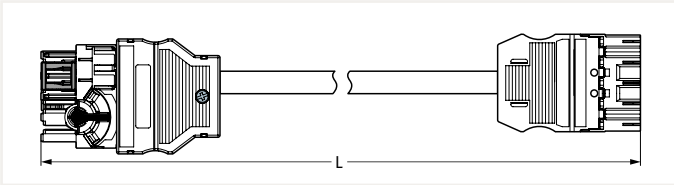
PU = Packaging Unit; SPU = Subpackaging Unit; Dimensions in mm

**Cable Assembly ▶ WINSTA® MIDI ▶ 771 Series**

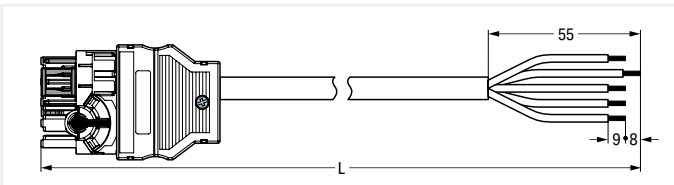
Pole No.: 5 ▶ Protection type: IP20 ▶ Fire class per EN 50575: E<sub>ca</sub> ▶ Coding: A ▶ 2.5 mm<sup>2</sup> ▶ Marking: L ⊕ N ▶ PVC ▶ Sheathed cable diameter: 11.2 ... 13.9 mm ▶ H05VV-F 5G2.5 ▶ Strip length (outer insulation): 55 mm ▶ General mains applications



Interconnecting cable ▶ Distribution connector with phase selection - Plug			
Total length	Connector color/Strain relief color		PU
	black/black	white/white	
1 m	771-8965/007-101	771-8965/007-102	1
2 m	771-8965/007-201	771-8965/007-202	1



Connecting cable ▶ Distribution connector with phase selection - Free end			
Total length	Connector color/Strain relief color		PU
	black/black	white/white	
1 m	771-8965/107-101	771-8965/107-102	1
2 m	771-8965/107-201	771-8965/107-202	1



Lift jumper out of delivery position (L2) using a screwdriver and move it into the desired position.



The 5-pole energy circuit can be extended using pluggable cable assemblies.



Push down jumper in its new position (picture shows L3).



Plugging a 3-pole tap-off cable.

**Accessories; for all products on this page**



Locking lever; for flying leads; manually operated		
Color	Item No.	PU (SPU)
● black	770-101	100 (25)
○ white	770-121	100 (25)



Locking lever; for flying leads; tool operated		
Color	Item No.	PU (SPU)
● black	770-111	100 (25)
○ white	770-131	100 (25)



Mounting carrier; for flying leads; 2- to 5-pole		
Color	Item No.	PU
● black	770-310	25

PU = Packaging Unit; SPU = Subpackaging Unit; Dimensions in mm



### Cable Assembly ▶ WINSTA® MIDI ▶ 771 Series

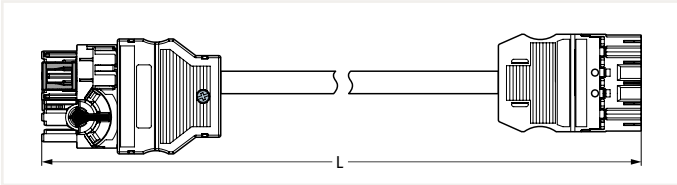
Pole No.: 5 ▶ Protection type: IP20 ▶ Fire class per EN 50575: E<sub>ca</sub> ▶ Coding: A ▶ 2.5 mm<sup>2</sup> ▶ Marking: L ⊕ N ▶ Halogen-free ▶ Sheathed cable diameter: 11.2 ... 13.9 mm ▶ H05Z1Z1-F 5G2.5 ▶ Strip length (outer insulation): 55 mm ▶ General mains applications



Interconnecting cable ▶ Distribution connector with phase selection - Plug

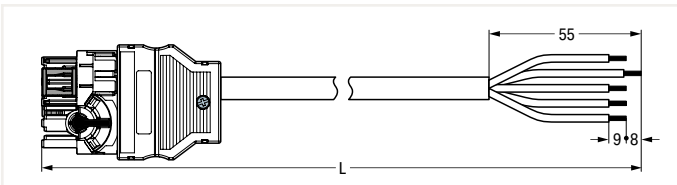
Total length	Connector color/Strain relief color		PU
	black/black	white/white	
1 m	771-8965/017-101	771-8965/017-102	1
2 m	771-8965/017-201	771-8965/017-202	1

2



Connecting cable ▶ Distribution connector with phase selection - Free end

Total length	Connector color/Strain relief color		PU
	black/black	white/white	
1 m	771-8965/117-101	771-8965/117-102	1
2 m	771-8965/117-201	771-8965/117-202	1



Lift jumper out of delivery position (L2) using a screwdriver and move it into the desired position.



The 5-pole energy circuit can be extended using pluggable cable assemblies.



Push down jumper in its new position (picture shows L3).



Plugging a 3-pole tap-off cable.

Accessories; for all products on this page



Locking lever; for flying leads; manually operated		
Color	Item No.	PU (SPU)
● black	770-101	100 (25)
○ white	770-121	100 (25)



Locking lever; for flying leads; tool operated		
Color	Item No.	PU (SPU)
● black	770-111	100 (25)
○ white	770-131	100 (25)

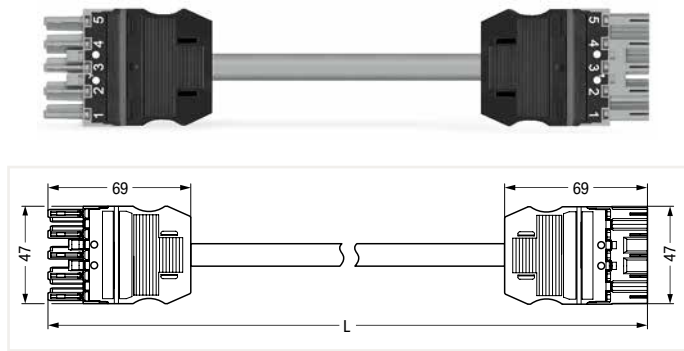


Mounting carrier; for flying leads; 2- to 5-pole		
Color	Item No.	PU
● black	770-310	25

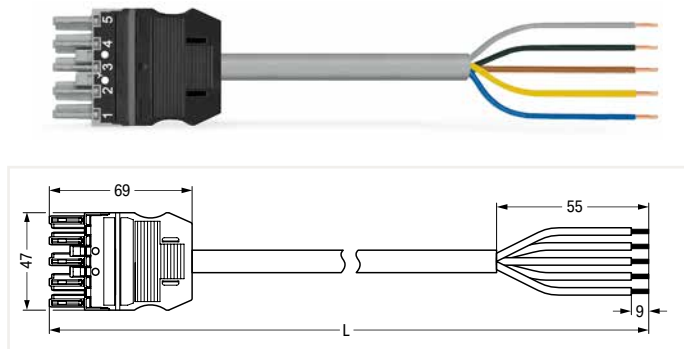
PU = Packaging Unit; SPU = Subpackaging Unit; Dimensions in mm

### Cable Assembly ▶ WINSTA® MIDI ▶ 771 Series

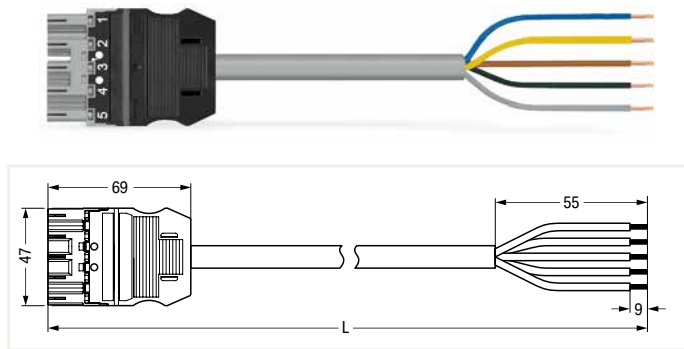
Pole No.: 5 ▶ Protection type: IP20 ▶ Fire class per EN 50575: E<sub>ca</sub> ▶ Coding: B ▶ 1 mm<sup>2</sup> ▶ Marking: 1 2 3 4 5 ▶ PVC ▶ Sheathed cable diameter: 7.8 ... 9.3 mm ▶ Control line 5 x 1 ▶ Measurement and regulation technology



Interconnecting cable ▶ Socket - Plug				
Total length	Connector color/Strain relief color			PU
	gray/black	light green/black	pink/black	
1 m	771-9995/005-103	771-9995/005-105	771-9995/005-107	1
2 m	771-9995/005-203	771-9995/005-205	771-9995/005-207	1
3 m	771-9995/005-303	771-9995/005-305	771-9995/005-307	1
4 m	771-9995/005-403	771-9995/005-405	771-9995/005-407	1
5 m	771-9995/005-503	771-9995/005-505	771-9995/005-507	1
6 m	771-9995/005-603	771-9995/005-605	771-9995/005-607	1
7 m	771-9995/005-703	771-9995/005-705	771-9995/005-707	1
8 m	771-9995/005-803	771-9995/005-805	771-9995/005-807	1



Connecting cable ▶ Socket - Free end ▶ Strip length (outer insulation): 55 mm				
Total length	Connector color/Strain relief color			PU
	gray/black	light green/black	pink/black	
1 m	771-9995/105-103	771-9995/105-105	771-9995/105-107	1
2 m	771-9995/105-203	771-9995/105-205	771-9995/105-207	1
3 m	771-9995/105-303	771-9995/105-305	771-9995/105-307	1
4 m	771-9995/105-403	771-9995/105-405	771-9995/105-407	1
5 m	771-9995/105-503	771-9995/105-505	771-9995/105-507	1
6 m	771-9995/105-603	771-9995/105-605	771-9995/105-607	1
7 m	771-9995/105-703	771-9995/105-705	771-9995/105-707	1
8 m	771-9995/105-803	771-9995/105-805	771-9995/105-807	1



Connecting cable ▶ Plug - Free end ▶ Strip length (outer insulation): 55 mm				
Total length	Connector color/Strain relief color			PU
	gray/black	light green/black	pink/black	
1 m	771-9995/205-103	771-9995/205-105	771-9995/205-107	1
2 m	771-9995/205-203	771-9995/205-205	771-9995/205-207	1
3 m	771-9995/205-303	771-9995/205-305	771-9995/205-307	1
4 m	771-9995/205-403	771-9995/205-405	771-9995/205-407	1
5 m	771-9995/205-503	771-9995/205-505	771-9995/205-507	1
6 m	771-9995/205-603	771-9995/205-605	771-9995/205-607	1
7 m	771-9995/205-703	771-9995/205-705	771-9995/205-707	1
8 m	771-9995/205-803	771-9995/205-805	771-9995/205-807	1

Accessories; for all products on this page



Locking lever; for flying leads; manually operated		
Color	Item No.	PU (SPU)
● black	770-101	100 (25)
○ white	770-121	100 (25)



Locking lever; for flying leads; tool operated		
Color	Item No.	PU (SPU)
● black	770-111	100 (25)
○ white	770-131	100 (25)



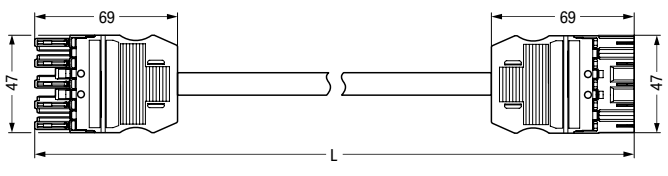
Mounting carrier; for flying leads; 2- to 5-pole		
Color	Item No.	PU
● black	770-310	25

PU = Packaging Unit; SPU = Subpackaging Unit; Dimensions in mm



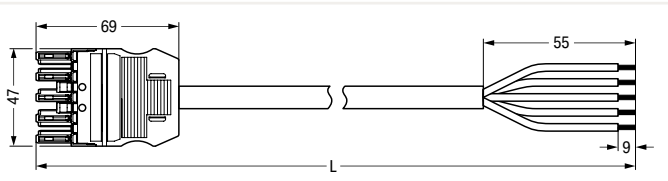
## Cable Assembly ▶ WINSTA® MIDI ▶ 771 Series

Pole No.: 5 ▶ Protection type: IP20 ▶ Fire class per EN 50575: E<sub>ca</sub> ▶ Coding: B ▶ 1.5 mm<sup>2</sup> ▶ Marking: 1 2 3 4 5 ▶ PVC ▶ Sheathed cable diameter: 9.3 ... 11.6 mm ▶ Control line 5 x 1.5 ▶ Measurement and regulation technology

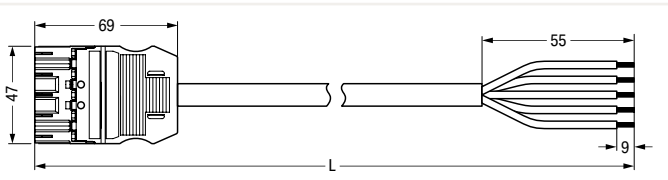


Interconnecting cable ▶ Socket - Plug				
Total length	Connector color/Strain relief color			PU
	gray/black	light green/black	pink/black	
1 m	771-9995/006-103	771-9995/006-105	771-9995/006-107	1
2 m	771-9995/006-203	771-9995/006-205	771-9995/006-207	1
3 m	771-9995/006-303	771-9995/006-305	771-9995/006-307	1
4 m	771-9995/006-403	771-9995/006-405	771-9995/006-407	1
5 m	771-9995/006-503	771-9995/006-505	771-9995/006-507	1
6 m	771-9995/006-603	771-9995/006-605	771-9995/006-607	1
7 m	771-9995/006-703	771-9995/006-705	771-9995/006-707	1
8 m	771-9995/006-803	771-9995/006-805	771-9995/006-807	1

2



Connecting cable ▶ Socket - Free end ▶ Strip length (outer insulation): 55 mm				
Total length	Connector color/Strain relief color			PU
	gray/black	light green/black	pink/black	
1 m	771-9995/106-103	771-9995/106-105	771-9995/106-107	1
2 m	771-9995/106-203	771-9995/106-205	771-9995/106-207	1
3 m	771-9995/106-303	771-9995/106-305	771-9995/106-307	1
4 m	771-9995/106-403	771-9995/106-405	771-9995/106-407	1
5 m	771-9995/106-503	771-9995/106-505	771-9995/106-507	1
6 m	771-9995/106-603	771-9995/106-605	771-9995/106-607	1
7 m	771-9995/106-703	771-9995/106-705	771-9995/106-707	1
8 m	771-9995/106-803	771-9995/106-805	771-9995/106-807	1



Connecting cable ▶ Plug - Free end ▶ Strip length (outer insulation): 55 mm				
Total length	Connector color/Strain relief color			PU
	gray/black	light green/black	pink/black	
1 m	771-9995/206-103	771-9995/206-105	771-9995/206-107	1
2 m	771-9995/206-203	771-9995/206-205	771-9995/206-207	1
3 m	771-9995/206-303	771-9995/206-305	771-9995/206-307	1
4 m	771-9995/206-403	771-9995/206-405	771-9995/206-407	1
5 m	771-9995/206-503	771-9995/206-505	771-9995/206-507	1
6 m	771-9995/206-603	771-9995/206-605	771-9995/206-607	1
7 m	771-9995/206-703	771-9995/206-705	771-9995/206-707	1
8 m	771-9995/206-803	771-9995/206-805	771-9995/206-807	1

### Accessories; for all products on this page



Locking lever; for flying leads; manually operated			
Color	Item No.	PU (SPU)	
● black	770-101	100 (25)	
○ white	770-121	100 (25)	



Locking lever; for flying leads; tool operated			
Color	Item No.	PU (SPU)	
● black	770-111	100 (25)	
○ white	770-131	100 (25)	

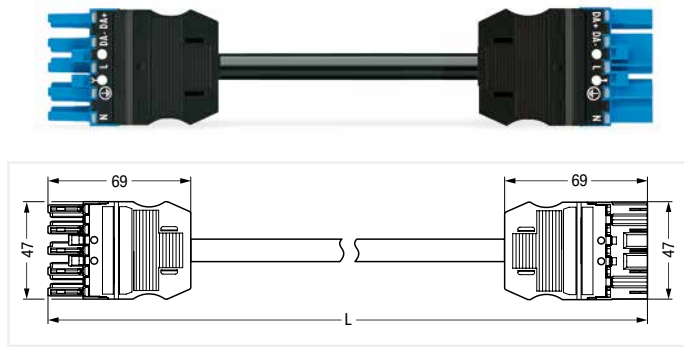


Mounting carrier; for flying leads; 2- to 5-pole			
Color	Item No.	PU	
● black	770-310	25	

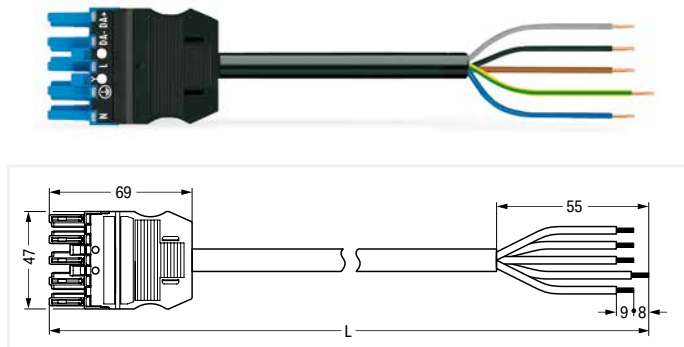
PU = Packaging Unit; SPU = Subpackaging Unit; Dimensions in mm

### Cable Assembly ▶ WINSTA® MIDI ▶ 771 Series

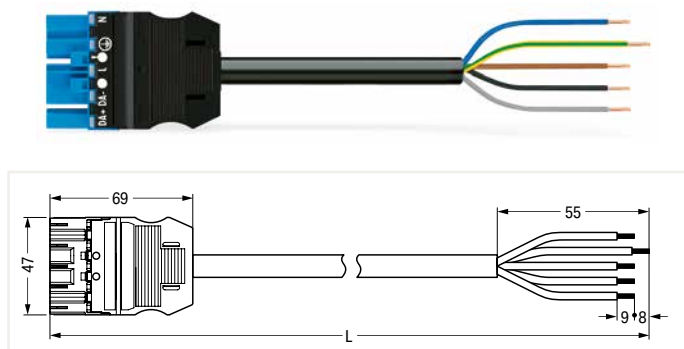
Pole No.: 5 ▶ Protection type: IP20 ▶ Fire class per EN 50575: E<sub>ca</sub> ▶ Coding: I ▶ 1.5 mm<sup>2</sup> ▶ Marking: N ⊕ L DA- DA+ ▶ PVC ▶ Sheathed cable diameter: 9.3 ... 11.6 mm ▶ H05VV-F 5G1.5 ▶ DALI, Lighting Management



Total length	Connector color/Strain relief color		PU
	blue/black	blue/white	
1 m	771-9985/006-101	771-9985/006-102	1
2 m	771-9985/006-201	771-9985/006-202	1
3 m	771-9985/006-301	771-9985/006-302	1
4 m	771-9985/006-401	771-9985/006-402	1
5 m	771-9985/006-501	771-9985/006-502	1
6 m	771-9985/006-601	771-9985/006-602	1
7 m	771-9985/006-701	771-9985/006-702	1
8 m	771-9985/006-801	771-9985/006-802	1



Total length	Connector color/Strain relief color		PU
	blue/black	blue/white	
1 m	771-9985/106-101	771-9985/106-102	1
2 m	771-9985/106-201	771-9985/106-202	1
3 m	771-9985/106-301	771-9985/106-302	1
4 m	771-9985/106-401	771-9985/106-402	1
5 m	771-9985/106-501	771-9985/106-502	1
6 m	771-9985/106-601	771-9985/106-602	1
7 m	771-9985/106-701	771-9985/106-702	1
8 m	771-9985/106-801	771-9985/106-802	1



Total length	Connector color/Strain relief color		PU
	blue/black	blue/white	
1 m	771-9985/206-101	771-9985/206-102	1
2 m	771-9985/206-201	771-9985/206-202	1
3 m	771-9985/206-301	771-9985/206-302	1
4 m	771-9985/206-401	771-9985/206-402	1
5 m	771-9985/206-501	771-9985/206-502	1
6 m	771-9985/206-601	771-9985/206-602	1
7 m	771-9985/206-701	771-9985/206-702	1
8 m	771-9985/206-801	771-9985/206-802	1

#### Accessories; for all products on this page



Locking lever; for flying leads; manually operated		
Color	Item No.	PU (SPU)
● black	770-101	100 (25)
○ white	770-121	100 (25)



Locking lever; for flying leads; tool operated		
Color	Item No.	PU (SPU)
● black	770-111	100 (25)
○ white	770-131	100 (25)



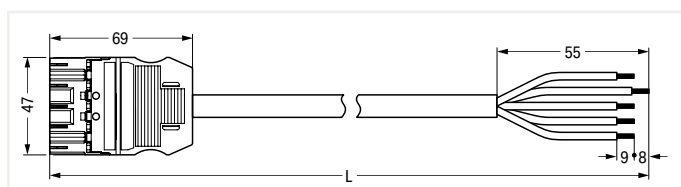
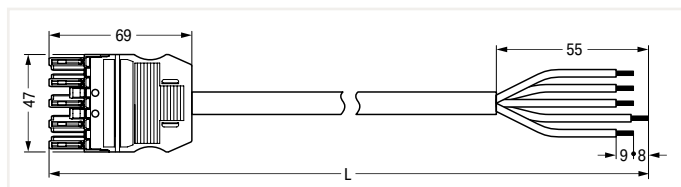
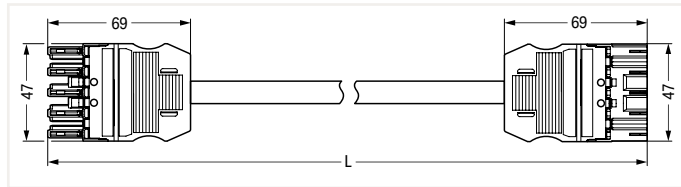
Mounting carrier; for flying leads; 2- to 5-pole		
Color	Item No.	PU
● black	770-310	25

PU = Packaging Unit; SPU = Subpackaging Unit; Dimensions in mm

## Cable Assembly ▶ WINSTA® MIDI ▶ 771 Series

Pole No.: 5 ▶ Protection type: IP20 ▶ Fire class per EN 50575: E<sub>ca</sub> ▶ Coding: I ▶ 1.5 mm<sup>2</sup> ▶ Marking: N ⊕ L DA- DA+ ▶ Halogen-free ▶ Sheathed cable diameter: 9.3 ... 11.6 mm ▶ H05Z1Z1-F 5G1.5 ▶ DALI, Lighting Management

2



### Interconnecting cable ▶ Socket - Plug

Total length	Connector color/Strain relief color		PU
	blue/black	blue/white	
1 m	771-9985/016-101	771-9985/016-102	1
2 m	771-9985/016-201	771-9985/016-202	1
3 m	771-9985/016-301	771-9985/016-302	1
4 m	771-9985/016-401	771-9985/016-402	1
5 m	771-9985/016-501	771-9985/016-502	1
6 m	771-9985/016-601	771-9985/016-602	1
7 m	771-9985/016-701	771-9985/016-702	1
8 m	771-9985/016-801	771-9985/016-802	1

### Connecting cable ▶ Socket - Free end ▶ Strip length (outer insulation): 55 mm

Total length	Connector color/Strain relief color		PU
	blue/black	blue/white	
1 m	771-9985/116-101	771-9985/116-102	1
2 m	771-9985/116-201	771-9985/116-202	1
3 m	771-9985/116-301	771-9985/116-302	1
4 m	771-9985/116-401	771-9985/116-402	1
5 m	771-9985/116-501	771-9985/116-502	1
6 m	771-9985/116-601	771-9985/116-602	1
7 m	771-9985/116-701	771-9985/116-702	1
8 m	771-9985/116-801	771-9985/116-802	1

### Connecting cable ▶ Plug - Free end ▶ Strip length (outer insulation): 55 mm

Total length	Connector color/Strain relief color		PU
	blue/black	blue/white	
1 m	771-9985/216-101	771-9985/216-102	1
2 m	771-9985/216-201	771-9985/216-202	1
3 m	771-9985/216-301	771-9985/216-302	1
4 m	771-9985/216-401	771-9985/216-402	1
5 m	771-9985/216-501	771-9985/216-502	1
6 m	771-9985/216-601	771-9985/216-602	1
7 m	771-9985/216-701	771-9985/216-702	1
8 m	771-9985/216-801	771-9985/216-802	1

### Accessories; for all products on this page



Locking lever; for flying leads; manually operated		
Color	Item No.	PU (SPU)
● black	770-101	100 (25)
○ white	770-121	100 (25)



Locking lever; for flying leads; tool operated		
Color	Item No.	PU (SPU)
● black	770-111	100 (25)
○ white	770-131	100 (25)

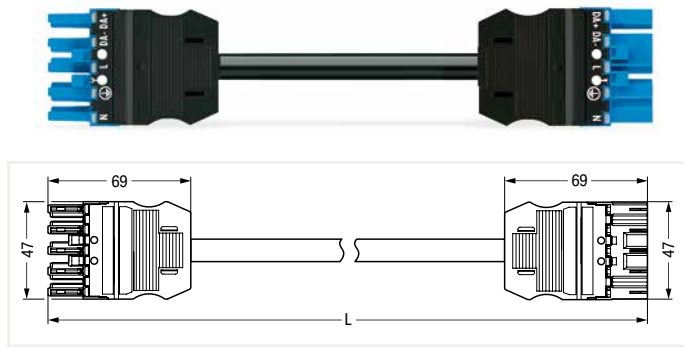


Mounting carrier; for flying leads; 2- to 5-pole		
Color	Item No.	PU
● black	770-310	25

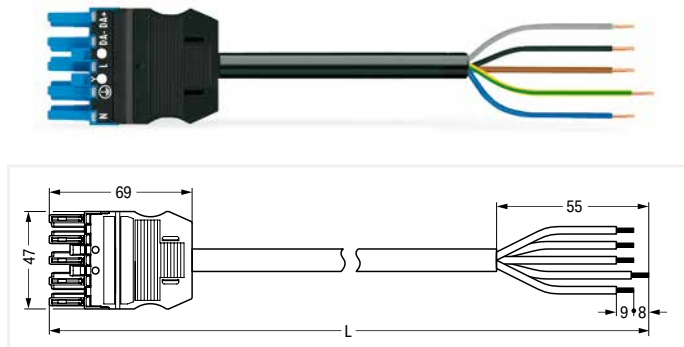
PU = Packaging Unit; SPU = Subpackaging Unit; Dimensions in mm

### Cable Assembly ▶ WINSTA® MIDI ▶ 771 Series

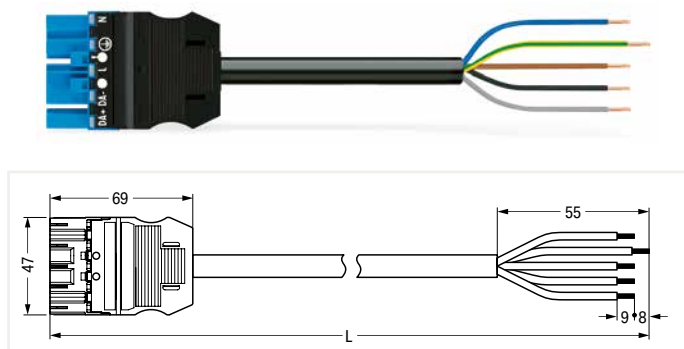
Pole No.: 5 ▶ Protection type: IP20 ▶ Fire class per EN 50575: E<sub>ca</sub> ▶ Coding: I ▶ 2.5 mm<sup>2</sup> ▶ Marking: N ⊕ L DA- DA+ ▶ PVC ▶ Sheathed cable diameter: 11.2 ... 13.9 mm ▶ H05VV-F 5G2.5 ▶ DALI, Lighting Management



Total length	Connector color/Strain relief color		PU
	blue/black	blue/white	
1 m	771-9985/007-101	771-9985/007-102	1
2 m	771-9985/007-201	771-9985/007-202	1
3 m	771-9985/007-301	771-9985/007-302	1
4 m	771-9985/007-401	771-9985/007-402	1
5 m	771-9985/007-501	771-9985/007-502	1
6 m	771-9985/007-601	771-9985/007-602	1
7 m	771-9985/007-701	771-9985/007-702	1
8 m	771-9985/007-801	771-9985/007-802	1



Total length	Connector color/Strain relief color		PU
	blue/black	blue/white	
1 m	771-9985/107-101	771-9985/107-102	1
2 m	771-9985/107-201	771-9985/107-202	1
3 m	771-9985/107-301	771-9985/107-302	1
4 m	771-9985/107-401	771-9985/107-402	1
5 m	771-9985/107-501	771-9985/107-502	1
6 m	771-9985/107-601	771-9985/107-602	1
7 m	771-9985/107-701	771-9985/107-702	1
8 m	771-9985/107-801	771-9985/107-802	1



Total length	Connector color/Strain relief color		PU
	blue/black	blue/white	
1 m	771-9985/207-101	771-9985/207-102	1
2 m	771-9985/207-201	771-9985/207-202	1
3 m	771-9985/207-301	771-9985/207-302	1
4 m	771-9985/207-401	771-9985/207-402	1
5 m	771-9985/207-501	771-9985/207-502	1
6 m	771-9985/207-601	771-9985/207-602	1
7 m	771-9985/207-701	771-9985/207-702	1
8 m	771-9985/207-801	771-9985/207-802	1

Accessories; for all products on this page



Locking lever; for flying leads; manually operated		
Color	Item No.	PU (SPU)
● black	770-101	100 (25)
○ white	770-121	100 (25)



Locking lever; for flying leads; tool operated		
Color	Item No.	PU (SPU)
● black	770-111	100 (25)
○ white	770-131	100 (25)

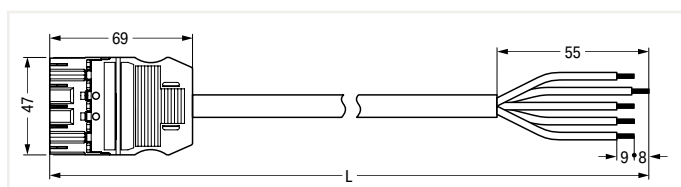
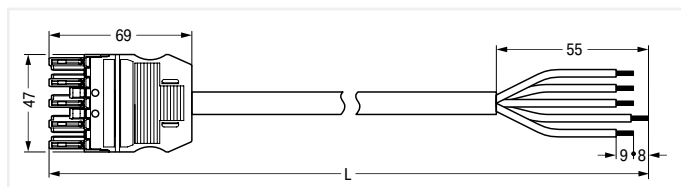
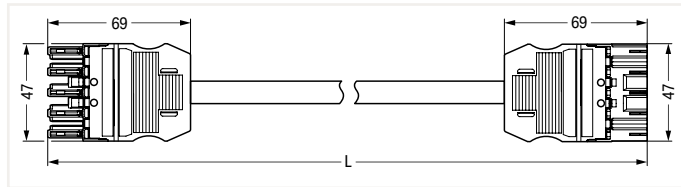


Mounting carrier; for flying leads; 2- to 5-pole		
Color	Item No.	PU
● black	770-310	25

PU = Packaging Unit; SPU = Subpackaging Unit; Dimensions in mm

## Cable Assembly ▶ WINSTA® MIDI ▶ 771 Series

Pole No.: 5 ▶ Protection type: IP20 ▶ Fire class per EN 50575: E<sub>ca</sub> ▶ Coding: I ▶ 2.5 mm<sup>2</sup> ▶ Marking: N ⊕ L DA- DA+ ▶ Halogen-free ▶ Sheathed cable diameter: 11.2 ... 13.9 mm ▶ H05Z1Z1-F 5G2.5 ▶ DALI, Lighting Management



### Interconnecting cable ▶ Socket - Plug

Total length	Connector color/Strain relief color		PU
	blue/black	blue/white	
1 m	771-9985/017-101	771-9985/017-102	1
2 m	771-9985/017-201	771-9985/017-202	1
3 m	771-9985/017-301	771-9985/017-302	1
4 m	771-9985/017-401	771-9985/017-402	1
5 m	771-9985/017-501	771-9985/017-502	1
6 m	771-9985/017-601	771-9985/017-602	1
7 m	771-9985/017-701	771-9985/017-702	1
8 m	771-9985/017-801	771-9985/017-802	1

### Connecting cable ▶ Socket - Free end ▶ Strip length (outer insulation): 55 mm

Total length	Connector color/Strain relief color		PU
	blue/black	blue/white	
1 m	771-9985/117-101	771-9985/117-102	1
2 m	771-9985/117-201	771-9985/117-202	1
3 m	771-9985/117-301	771-9985/117-302	1
4 m	771-9985/117-401	771-9985/117-402	1
5 m	771-9985/117-501	771-9985/117-502	1
6 m	771-9985/117-601	771-9985/117-602	1
7 m	771-9985/117-701	771-9985/117-702	1
8 m	771-9985/117-801	771-9985/117-802	1

### Connecting cable ▶ Plug - Free end ▶ Strip length (outer insulation): 55 mm

Total length	Connector color/Strain relief color		PU
	blue/black	blue/white	
1 m	771-9985/217-101	771-9985/217-102	1
2 m	771-9985/217-201	771-9985/217-202	1
3 m	771-9985/217-301	771-9985/217-302	1
4 m	771-9985/217-401	771-9985/217-402	1
5 m	771-9985/217-501	771-9985/217-502	1
6 m	771-9985/217-601	771-9985/217-602	1
7 m	771-9985/217-701	771-9985/217-702	1
8 m	771-9985/217-801	771-9985/217-802	1

### Accessories; for all products on this page



Locking lever; for flying leads; manually operated		
Color	Item No.	PU (SPU)
● black	770-101	100 (25)
○ white	770-121	100 (25)



Locking lever; for flying leads; tool operated		
Color	Item No.	PU (SPU)
● black	770-111	100 (25)
○ white	770-131	100 (25)

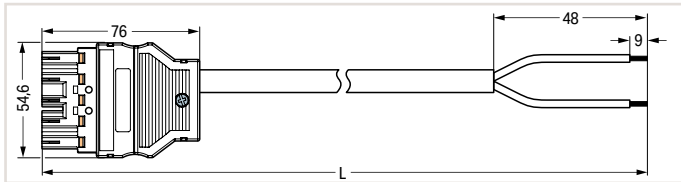
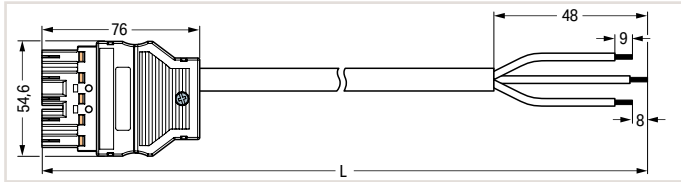


Mounting carrier; for flying leads; 2- to 5-pole		
Color	Item No.	PU
● black	770-310	25

PU = Packaging Unit; SPU = Subpackaging Unit; Dimensions in mm

### Cable Assembly ▶ WINSTA® MIDI ▶ 771 Series

No. of poles: 5 ▶ Protection type: IP20 ▶ Fire class per EN 50575: E<sub>ca</sub> ▶ Coding: I ▶ 1.5 mm<sup>2</sup> ▶ PVC ▶ DALI, Lighting Management



Adapter cable ▶ plug – free end ▶ Sheathed cable diameter: 7.4 ... 9.4 mm ▶ H05VV-F 3G1.5

Length	Connector color/Strain relief color			PU
	blue/black			
1 m	771-5001/148-000			1
2 m	771-5001/149-000			1
3 m	771-5001/150-000			1
4 m	771-5001/151-000			1
5 m	771-5001/152-000			1
6 m	771-5001/153-000			1
7 m	771-5001/154-000			1
8 m	771-5001/155-000			1

Adapter cable ▶ plug – free end ▶ Sheathed cable diameter: 7.4 ... 9.4 mm ▶ H05VV-F 2x1.5

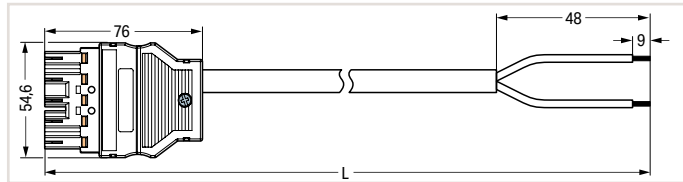
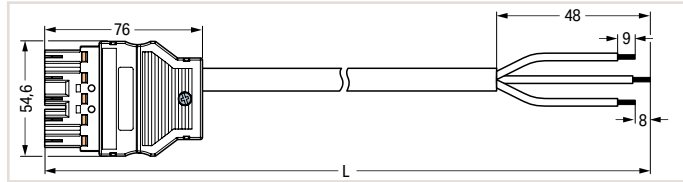
Length	Connector color/Strain relief color			PU
	blue/black			
1 m	771-5001/164-000			1
2 m	771-5001/165-000			1
3 m	771-5001/166-000			1
4 m	771-5001/167-000			1
5 m	771-5001/168-000			1
6 m	771-5001/169-000			1
7 m	771-5001/170-000			1
8 m	771-5001/171-000			1

2

PU = Packaging Unit; SPU = Subpackaging Unit; Dimensions in mm

## Cable Assembly ▶ WINSTA® MIDI ▶ 771 Series

No. of poles: 5 ▶ Protection type: IP20 ▶ Fire class per EN 50575: E<sub>ca</sub> ▶ Coding: I ▶ 1.5 mm<sup>2</sup> ▶ Halogen-free ▶ DALI, Lighting Management



Adapter cable ▶ plug – free end ▶ Sheathed cable diameter: 7.4 ... 9.4 mm ▶ H05Z1Z1-F 3G1.5

Length	Connector color/Strain relief color			PU
	blue/black			
1 m	771-5001/156-000			1
2 m	771-5001/157-000			1
3 m	771-5001/158-000			1
4 m	771-5001/159-000			1
5 m	771-5001/160-000			1
6 m	771-5001/161-000			1
7 m	771-5001/162-000			1
8 m	771-5001/163-000			1

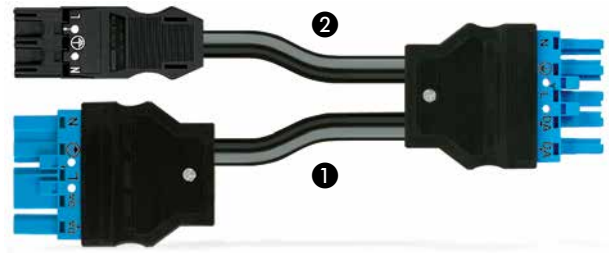
Adapter cable ▶ plug – free end ▶ Sheathed cable diameter: 6.8 ... 8.6 mm ▶ H05Z1Z1-F 2x1.5

Length	Connector color/Strain relief color			PU
	blue/black			
1 m	771-5001/172-000			1
2 m	771-5001/173-000			1
3 m	771-5001/174-000			1
4 m	771-5001/175-000			1
5 m	771-5001/176-000			1
6 m	771-5001/177-000			1
7 m	771-5001/178-000			1
8 m	771-5001/179-000			1

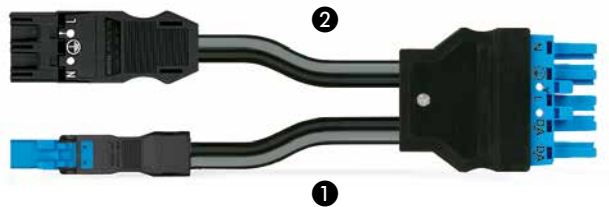
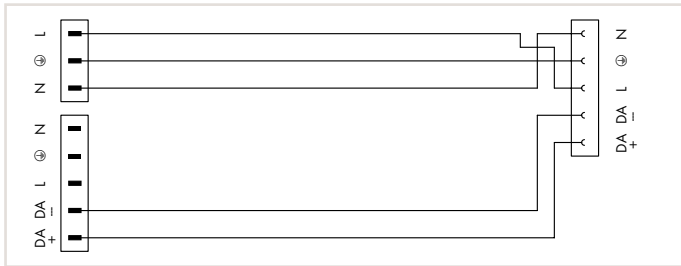
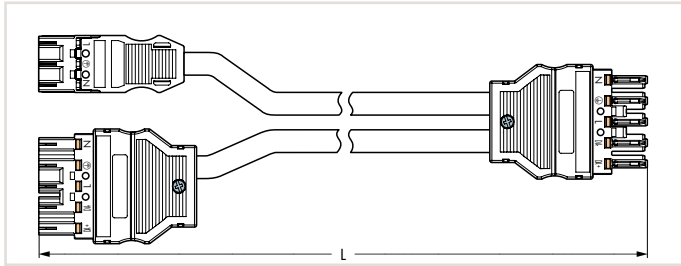


### Cable Assembly ▶ WINSTA® MIDI ▶ 771 Series

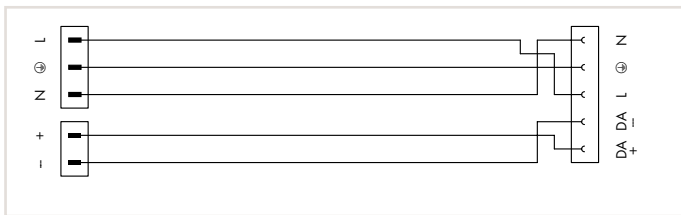
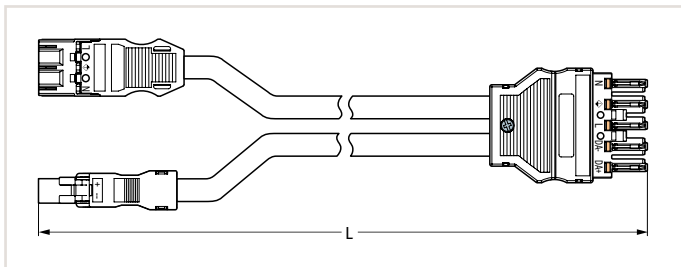
No. of poles: 5 ▶ Protection type: IP20 ▶ Fire class per EN 50575: E<sub>ca</sub> ▶ Coding: A + I ▶ ① 1.5 mm<sup>2</sup>; ② 2.5 mm<sup>2</sup> ▶ PVC ▶ ① H05VV-F 2x1,5 ▶ ② H05VV-F 3G2,5 ▶ DALI, Lighting Management



Y-cable			
Length	Connector color/Strain relief color		PU
	black/black		
	blue/black		
0.5 m	771-5001/180-000		1



Y-cable			
Length	Connector color/Strain relief color		PU
	black/black		
	blue/black		
0.5 m	771-5001/182-000		1



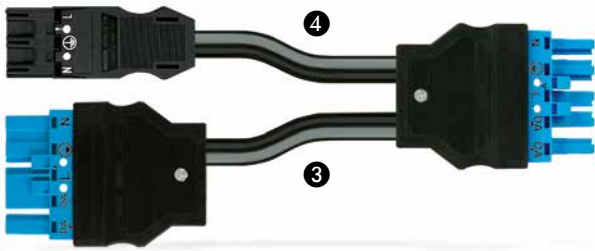
PU = Packaging Unit; SPU = Subpackaging Unit; Dimensions in mm



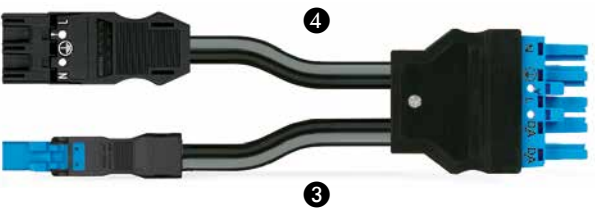
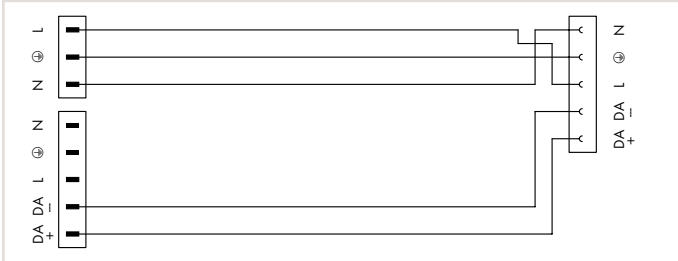
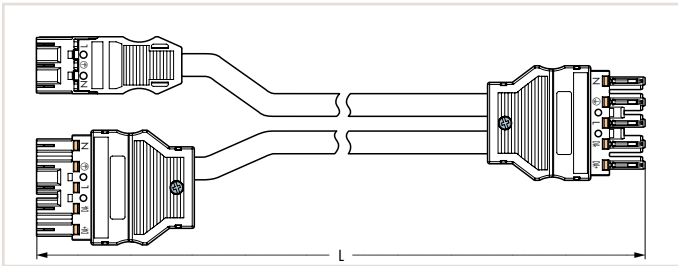
### Cable Assembly ▶ WINSTA® MIDI ▶ 771 Series

No. of poles: 5 ▶ Protection type: IP20 ▶ Fire class per EN 50575: E<sub>ca</sub> ▶ Coding: A + I ▶ ③ 1.5 mm<sup>2</sup>; ④ 2.5 mm<sup>2</sup> ▶ Halogen-free ▶ ③ H05Z1Z1-F 2x1,5 ▶ ④ H05Z1Z1-F 3G2,5 ▶ DALI, Lighting Management

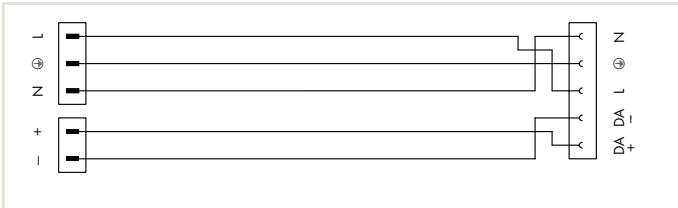
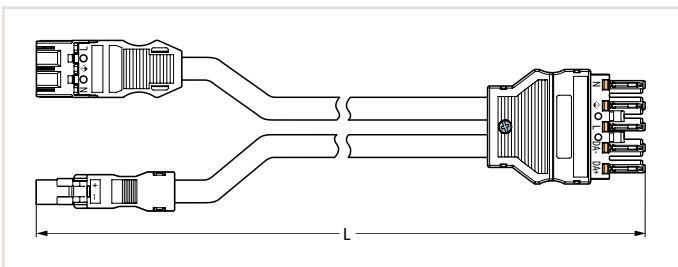
2



Y-cable			
Length	Connector color/Strain relief color		PU
	black/black		
	blue/black		
0.5 m	771-5001/181-000		1



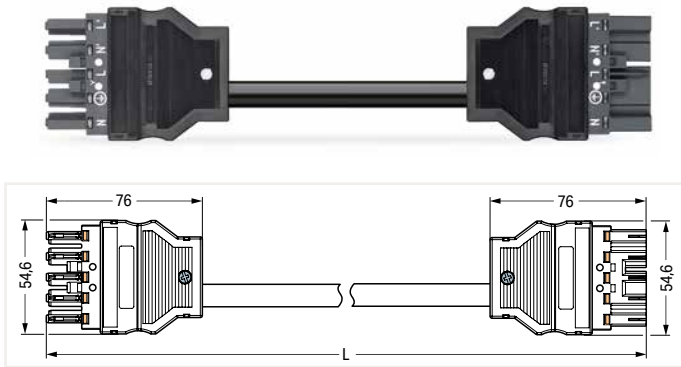
Y-cable			
Length	Connector color/Strain relief color		PU
	black/black		
	blue/black		
0.5 m	771-5001/183-000		1



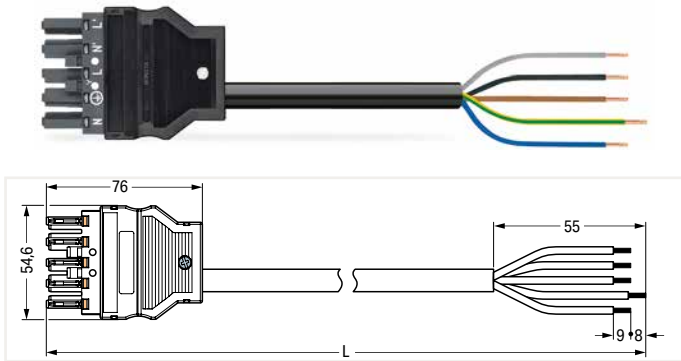
PU = Packaging Unit; SPU = Subpackaging Unit; Dimensions in mm

### Cable Assembly ▶ WINSTA® MIDI ▶ 771 Series

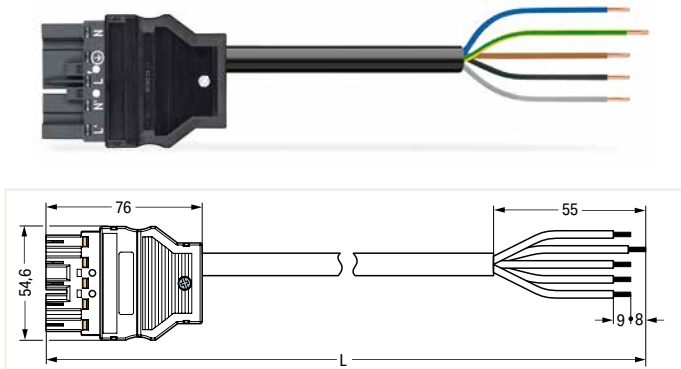
Pole No.: 5 ▶ Protection type: IP20 ▶ Fire class per EN 50575: E<sub>ca</sub> ▶ Coding: L ▶ 1.5 mm<sup>2</sup> ▶ Marking: N ⊕ L N' L' ▶ PVC ▶ Sheathed cable diameter: 9.3 ... 11.6 mm ▶ H05VV-F 5G1.5 ▶ Emergency power supply



Interconnecting cable ▶ Socket - Plug			
Total length	Connector color/Strain relief color		PU
	dark gray/black	dark gray/white	
1 m	771-8985/006-103	771-8985/006-104	1
2 m	771-8985/006-203	771-8985/006-204	1
3 m	771-8985/006-303	771-8985/006-304	1
4 m	771-8985/006-403	771-8985/006-404	1
5 m	771-8985/006-503	771-8985/006-504	1
6 m	771-8985/006-603	771-8985/006-604	1
7 m	771-8985/006-703	771-8985/006-704	1
8 m	771-8985/006-803	771-8985/006-804	1



Connecting cable ▶ Socket - Free end ▶ Strip length (outer insulation): 55 mm			
Total length	Connector color/Strain relief color		PU
	dark gray/black	dark gray/white	
1 m	771-8985/106-103	771-8985/106-104	1
2 m	771-8985/106-203	771-8985/106-204	1
3 m	771-8985/106-303	771-8985/106-304	1
4 m	771-8985/106-403	771-8985/106-404	1
5 m	771-8985/106-503	771-8985/106-504	1
6 m	771-8985/106-603	771-8985/106-604	1
7 m	771-8985/106-703	771-8985/106-704	1
8 m	771-8985/106-803	771-8985/106-804	1



Connecting cable ▶ Plug - Free end ▶ Strip length (outer insulation): 55 mm			
Total length	Connector color/Strain relief color		PU
	dark gray/black	dark gray/white	
1 m	771-8985/206-103	771-8985/206-104	1
2 m	771-8985/206-203	771-8985/206-204	1
3 m	771-8985/206-303	771-8985/206-304	1
4 m	771-8985/206-403	771-8985/206-404	1
5 m	771-8985/206-503	771-8985/206-504	1
6 m	771-8985/206-603	771-8985/206-604	1
7 m	771-8985/206-703	771-8985/206-704	1
8 m	771-8985/206-803	771-8985/206-804	1

Accessories; for all products on this page



Locking lever; for flying leads; manually operated		
Color	Item No.	PU (SPU)
● black	770-101	100 (25)
○ white	770-121	100 (25)



Locking lever; for flying leads; tool operated		
Color	Item No.	PU (SPU)
● black	770-111	100 (25)
○ white	770-131	100 (25)

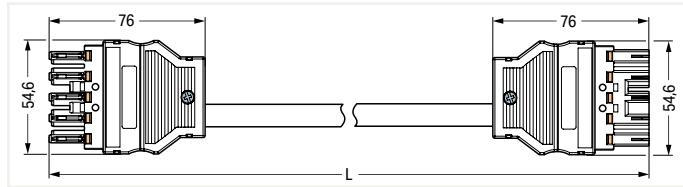


Mounting carrier; for flying leads; 2- to 5-pole		
Color	Item No.	PU
● black	770-310	25

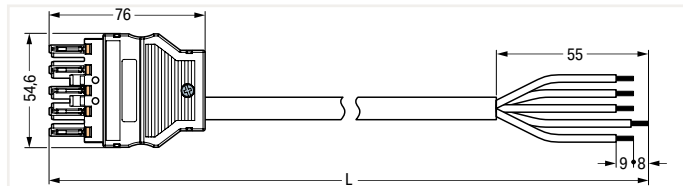
PU = Packaging Unit; SPU = Subpackaging Unit; Dimensions in mm

## Cable Assembly ▶ WINSTA® MIDI ▶ 771 Series

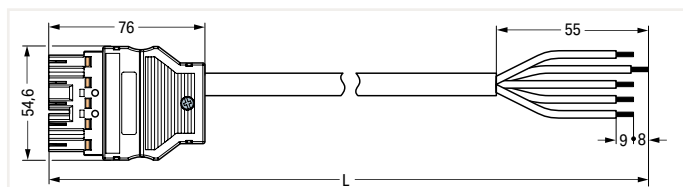
Pole No.: 5 ▶ Protection type: IP20 ▶ Fire class per EN 50575: E<sub>ca</sub> ▶ Coding: L ▶ 1.5 mm<sup>2</sup> ▶ Marking: N ⊕ L N' L' ▶ Halogen-free ▶ Sheathed cable diameter: 9.3 ... 11.6 mm ▶ H05Z1Z1-F 5G1.5 ▶ Emergency power supply



Interconnecting cable ▶ Socket - Plug			
Total length	Connector color/Strain relief color		PU
	dark gray/black	dark gray/white	
1 m	771-8985/016-103	771-8985/016-104	1
2 m	771-8985/016-203	771-8985/016-204	1
3 m	771-8985/016-303	771-8985/016-304	1
4 m	771-8985/016-403	771-8985/016-404	1
5 m	771-8985/016-503	771-8985/016-504	1
6 m	771-8985/016-603	771-8985/016-604	1
7 m	771-8985/016-703	771-8985/016-704	1
8 m	771-8985/016-803	771-8985/016-804	1



Connecting cable ▶ Socket - Free end ▶ Strip length (outer insulation): 55 mm			
Total length	Connector color/Strain relief color		PU
	dark gray/black	dark gray/white	
1 m	771-8985/116-103	771-8985/116-104	1
2 m	771-8985/116-203	771-8985/116-204	1
3 m	771-8985/116-303	771-8985/116-304	1
4 m	771-8985/116-403	771-8985/116-404	1
5 m	771-8985/116-503	771-8985/116-504	1
6 m	771-8985/116-603	771-8985/116-604	1
7 m	771-8985/116-703	771-8985/116-704	1
8 m	771-8985/116-803	771-8985/116-804	1



Connecting cable ▶ Plug - Free end ▶ Strip length (outer insulation): 55 mm			
Total length	Connector color/Strain relief color		PU
	dark gray/black	dark gray/white	
1 m	771-8985/216-103	771-8985/216-104	1
2 m	771-8985/216-203	771-8985/216-204	1
3 m	771-8985/216-303	771-8985/216-304	1
4 m	771-8985/216-403	771-8985/216-404	1
5 m	771-8985/216-503	771-8985/216-504	1
6 m	771-8985/216-603	771-8985/216-604	1
7 m	771-8985/216-703	771-8985/216-704	1
8 m	771-8985/216-803	771-8985/216-804	1

### Accessories; for all products on this page



Locking lever; for flying leads; manually operated		
Color	Item No.	PU (SPU)
● black	770-101	100 (25)
○ white	770-121	100 (25)



Locking lever; for flying leads; tool operated		
Color	Item No.	PU (SPU)
● black	770-111	100 (25)
○ white	770-131	100 (25)

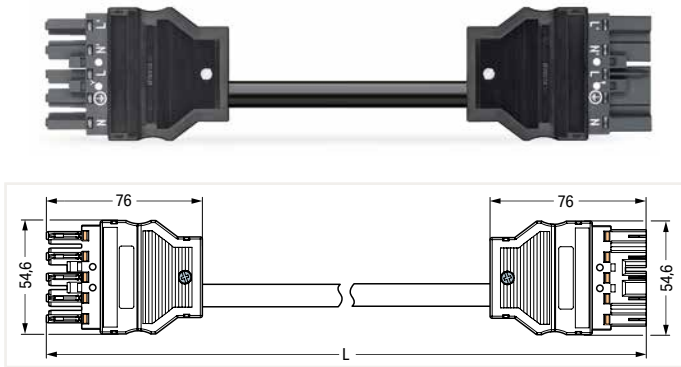


Mounting carrier; for flying leads; 2- to 5-pole		
Color	Item No.	PU
● black	770-310	25

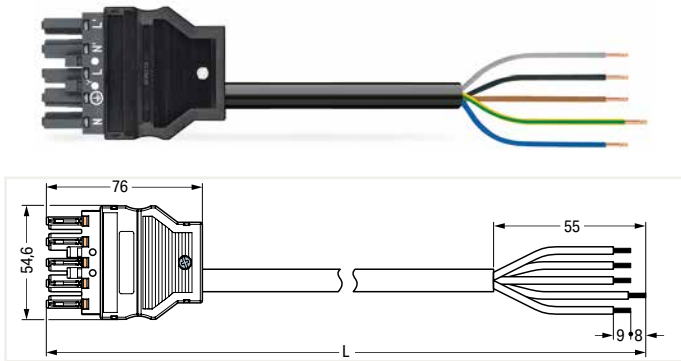
PU = Packaging Unit; SPU = Subpackaging Unit; Dimensions in mm

### Cable Assembly ▶ WINSTA® MIDI ▶ 771 Series

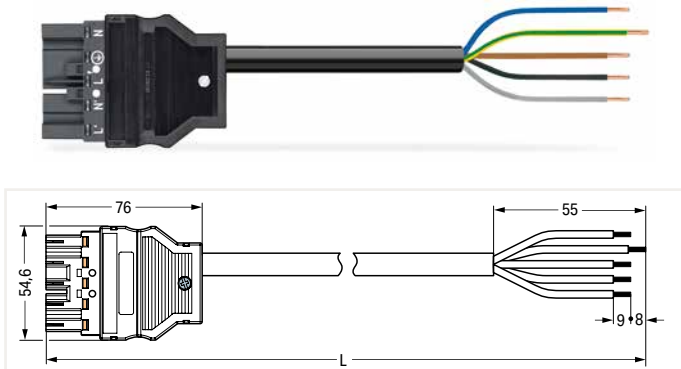
Pole No.: 5 ▶ Protection type: IP20 ▶ Fire class per EN 50575: E<sub>ca</sub> ▶ Coding: L ▶ 2.5 mm<sup>2</sup> ▶ Marking: N ⊕ L N' L' ▶ PVC ▶ Sheathed cable diameter: 11.2 ... 13.9 mm ▶ H05VV-F 5G2.5 ▶ Emergency power supply



Interconnecting cable ▶ Socket - Plug			
Total length	Connector color/Strain relief color		PU
	dark gray/black	dark gray/white	
1 m	771-8985/007-103	771-8985/007-104	1
2 m	771-8985/007-203	771-8985/007-204	1
3 m	771-8985/007-303	771-8985/007-304	1
4 m	771-8985/007-403	771-8985/007-404	1
5 m	771-8985/007-503	771-8985/007-504	1
6 m	771-8985/007-603	771-8985/007-604	1
7 m	771-8985/007-703	771-8985/007-704	1
8 m	771-8985/007-803	771-8985/007-804	1



Connecting cable ▶ Socket - Free end ▶ Strip length (outer insulation): 55 mm			
Total length	Connector color/Strain relief color		PU
	dark gray/black	dark gray/white	
1 m	771-8985/107-103	771-8985/107-104	1
2 m	771-8985/107-203	771-8985/107-204	1
3 m	771-8985/107-303	771-8985/107-304	1
4 m	771-8985/107-403	771-8985/107-404	1
5 m	771-8985/107-503	771-8985/107-504	1
6 m	771-8985/107-603	771-8985/107-604	1
7 m	771-8985/107-703	771-8985/107-704	1
8 m	771-8985/107-803	771-8985/107-804	1



Connecting cable ▶ Plug - Free end ▶ Strip length (outer insulation): 55 mm			
Total length	Connector color/Strain relief color		PU
	dark gray/black	dark gray/white	
1 m	771-8985/207-103	771-8985/207-104	1
2 m	771-8985/207-203	771-8985/207-204	1
3 m	771-8985/207-303	771-8985/207-304	1
4 m	771-8985/207-403	771-8985/207-404	1
5 m	771-8985/207-503	771-8985/207-504	1
6 m	771-8985/207-603	771-8985/207-604	1
7 m	771-8985/207-703	771-8985/207-704	1
8 m	771-8985/207-803	771-8985/207-804	1

Accessories; for all products on this page



Locking lever; for flying leads; manually operated		
Color	Item No.	PU (SPU)
● black	770-101	100 (25)
○ white	770-121	100 (25)



Locking lever; for flying leads; tool operated		
Color	Item No.	PU (SPU)
● black	770-111	100 (25)
○ white	770-131	100 (25)



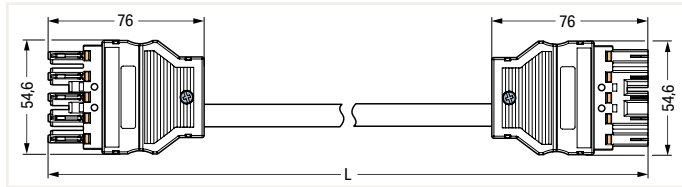
Mounting carrier; for flying leads; 2- to 5-pole		
Color	Item No.	PU
● black	770-310	25

PU = Packaging Unit; SPU = Subpackaging Unit; Dimensions in mm

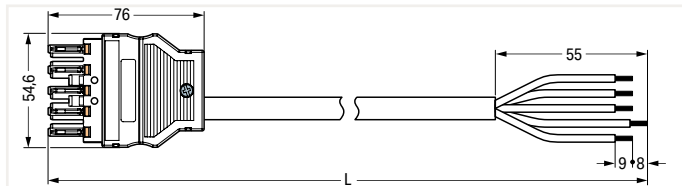
## Cable Assembly ▶ WINSTA® MIDI ▶ 771 Series

Pole No.: 5 ▶ Protection type: IP20 ▶ Fire class per EN 50575: E<sub>ca</sub> ▶ Coding: L ▶ 2.5 mm<sup>2</sup> ▶ Marking: N ⊕ L N' L' ▶ Halogen-free ▶ Sheathed cable diameter: 11.2 ... 13.9 mm ▶ H05Z1Z1-F 5G2.5 ▶ Emergency power supply

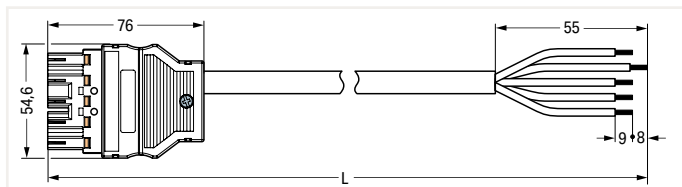
2



Interconnecting cable ▶ Socket - Plug			
Total length	Connector color/Strain relief color		PU
	dark gray/black	dark gray/white	
1 m	771-8985/017-103	771-8985/017-104	1
2 m	771-8985/017-203	771-8985/017-204	1
3 m	771-8985/017-303	771-8985/017-304	1
4 m	771-8985/017-403	771-8985/017-404	1
5 m	771-8985/017-503	771-8985/017-504	1
6 m	771-8985/017-603	771-8985/017-604	1
7 m	771-8985/017-703	771-8985/017-704	1
8 m	771-8985/017-803	771-8985/017-804	1



Connecting cable ▶ Socket - Free end ▶ Strip length (outer insulation): 55 mm			
Total length	Connector color/Strain relief color		PU
	dark gray/black	dark gray/white	
1 m	771-8985/117-103	771-8985/117-104	1
2 m	771-8985/117-203	771-8985/117-204	1
3 m	771-8985/117-303	771-8985/117-304	1
4 m	771-8985/117-403	771-8985/117-404	1
5 m	771-8985/117-503	771-8985/117-504	1
6 m	771-8985/117-603	771-8985/117-604	1
7 m	771-8985/117-703	771-8985/117-704	1
8 m	771-8985/117-803	771-8985/117-804	1



Connecting cable ▶ Plug - Free end ▶ Strip length (outer insulation): 55 mm			
Total length	Connector color/Strain relief color		PU
	dark gray/black	dark gray/white	
1 m	771-8985/217-103	771-8985/217-104	1
2 m	771-8985/217-203	771-8985/217-204	1
3 m	771-8985/217-303	771-8985/217-304	1
4 m	771-8985/217-403	771-8985/217-404	1
5 m	771-8985/217-503	771-8985/217-504	1
6 m	771-8985/217-603	771-8985/217-604	1
7 m	771-8985/217-703	771-8985/217-704	1
8 m	771-8985/217-803	771-8985/217-804	1

### Accessories; for all products on this page



Locking lever; for flying leads; manually operated		
Color	Item No.	PU (SPU)
● black	770-101	100 (25)
○ white	770-121	100 (25)



Locking lever; for flying leads; tool operated		
Color	Item No.	PU (SPU)
● black	770-111	100 (25)
○ white	770-131	100 (25)

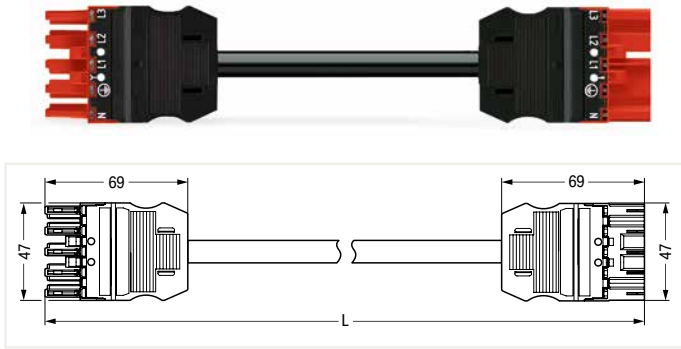


Mounting carrier; for flying leads; 2- to 5-pole		
Color	Item No.	PU
● black	770-310	25

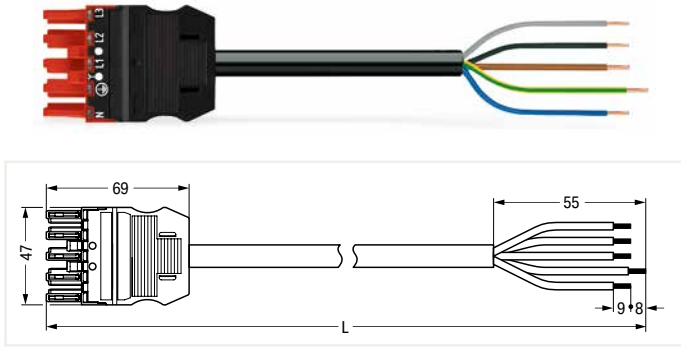
PU = Packaging Unit; SPU = Subpackaging Unit; Dimensions in mm

### Cable Assembly ▶ WINSTA® MIDI ▶ 771 Series

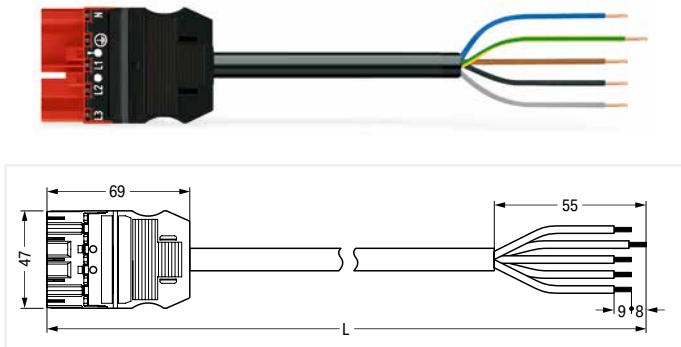
Pole No.: 5 ▶ Protection type: IP20 ▶ Fire class per EN 50575: E<sub>ca</sub> ▶ Coding: P ▶ 1.5 mm<sup>2</sup> ▶ Marking: N ⊕ L1 L2 L3 ▶ PVC ▶ Sheathed cable diameter: 9.3 ... 11.6 mm ▶ H05VV-F 5G1.5 ▶ EDV (UPS)



Total length	Connector color/Strain relief color		PU
	red/black	red/white	
1 m	771-9975/006-101	771-9975/006-102	1
2 m	771-9975/006-201	771-9975/006-202	1
3 m	771-9975/006-301	771-9975/006-302	1
4 m	771-9975/006-401	771-9975/006-402	1
5 m	771-9975/006-501	771-9975/006-502	1
6 m	771-9975/006-601	771-9975/006-602	1
7 m	771-9975/006-701	771-9975/006-702	1
8 m	771-9975/006-801	771-9975/006-802	1



Total length	Connector color/Strain relief color		PU
	red/black	red/white	
1 m	771-9975/106-101	771-9975/106-102	1
2 m	771-9975/106-201	771-9975/106-202	1
3 m	771-9975/106-301	771-9975/106-302	1
4 m	771-9975/106-401	771-9975/106-402	1
5 m	771-9975/106-501	771-9975/106-502	1
6 m	771-9975/106-601	771-9975/106-602	1
7 m	771-9975/106-701	771-9975/106-702	1
8 m	771-9975/106-801	771-9975/106-802	1



Total length	Connector color/Strain relief color		PU
	red/black	red/white	
1 m	771-9975/206-101	771-9975/206-102	1
2 m	771-9975/206-201	771-9975/206-202	1
3 m	771-9975/206-301	771-9975/206-302	1
4 m	771-9975/206-401	771-9975/206-402	1
5 m	771-9975/206-501	771-9975/206-502	1
6 m	771-9975/206-601	771-9975/206-602	1
7 m	771-9975/206-701	771-9975/206-702	1
8 m	771-9975/206-801	771-9975/206-802	1

Accessories; for all products on this page



Locking lever; for flying leads; manually operated		
Color	Item No.	PU (SPU)
● black	770-101	100 (25)
○ white	770-121	100 (25)



Locking lever; for flying leads; tool operated		
Color	Item No.	PU (SPU)
● black	770-111	100 (25)
○ white	770-131	100 (25)



Mounting carrier; for flying leads; 2- to 5-pole		
Color	Item No.	PU
● black	770-310	25

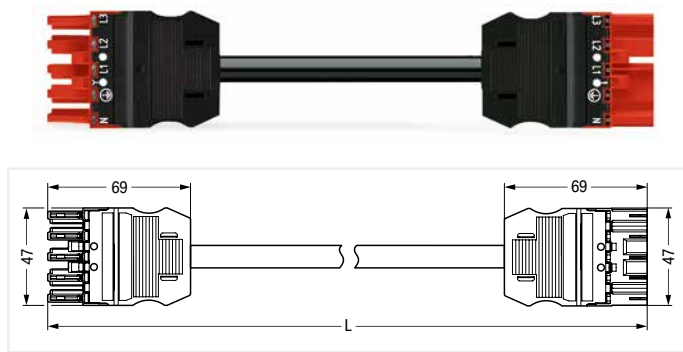
PU = Packaging Unit; SPU = Subpackaging Unit; Dimensions in mm



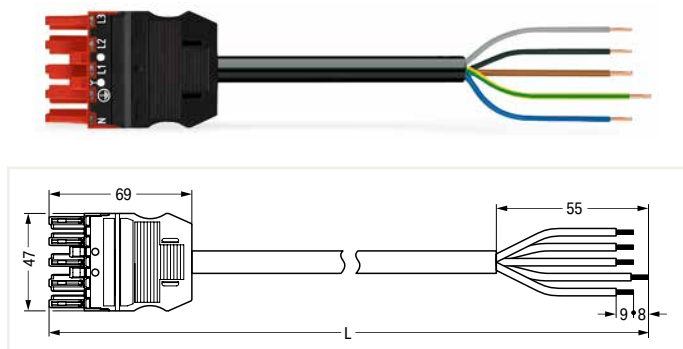
## Cable Assembly ▶ WINSTA® MIDI ▶ 771 Series

Pole No.: 5 ▶ Protection type: IP20 ▶ Fire class per EN 50575: E<sub>ca</sub> ▶ Coding: P ▶ 1.5 mm<sup>2</sup> ▶ Marking: N ⊕ L1 L2 L3 ▶ Halogen-free ▶ Sheathed cable diameter: 9.3 ... 11.6 mm ▶ H05Z1Z1-F 5G1.5 ▶ EDV (UPS)

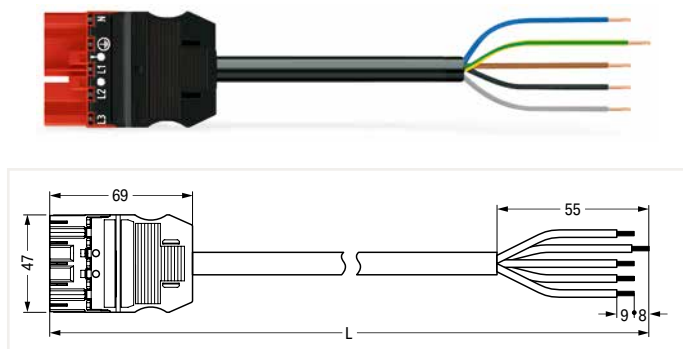
2



Interconnecting cable ▶ Socket - Plug			
Total length	Connector color/Strain relief color		PU
	red/black	red/white	
1 m	771-9975/016-101	771-9975/016-102	1
2 m	771-9975/016-201	771-9975/016-202	1
3 m	771-9975/016-301	771-9975/016-302	1
4 m	771-9975/016-401	771-9975/016-402	1
5 m	771-9975/016-501	771-9975/016-502	1
6 m	771-9975/016-601	771-9975/016-602	1
7 m	771-9975/016-701	771-9975/016-702	1
8 m	771-9975/016-801	771-9975/016-802	1



Connecting cable ▶ Socket - Free end ▶ Strip length (outer insulation): 55 mm			
Total length	Connector color/Strain relief color		PU
	red/black	red/white	
1 m	771-9975/116-101	771-9975/116-102	1
2 m	771-9975/116-201	771-9975/116-202	1
3 m	771-9975/116-301	771-9975/116-302	1
4 m	771-9975/116-401	771-9975/116-402	1
5 m	771-9975/116-501	771-9975/116-502	1
6 m	771-9975/116-601	771-9975/116-602	1
7 m	771-9975/116-701	771-9975/116-702	1
8 m	771-9975/116-801	771-9975/116-802	1



Connecting cable ▶ Plug - Free end ▶ Strip length (outer insulation): 55 mm			
Total length	Connector color/Strain relief color		PU
	red/black	red/white	
1 m	771-9975/216-101	771-9975/216-102	1
2 m	771-9975/216-201	771-9975/216-202	1
3 m	771-9975/216-301	771-9975/216-302	1
4 m	771-9975/216-401	771-9975/216-402	1
5 m	771-9975/216-501	771-9975/216-502	1
6 m	771-9975/216-601	771-9975/216-602	1
7 m	771-9975/216-701	771-9975/216-702	1
8 m	771-9975/216-801	771-9975/216-802	1

Accessories; for all products on this page



Locking lever; for flying leads; manually operated		
Color	Item No.	PU (SPU)
● black	770-101	100 (25)
○ white	770-121	100 (25)



Locking lever; for flying leads; tool operated		
Color	Item No.	PU (SPU)
● black	770-111	100 (25)
○ white	770-131	100 (25)

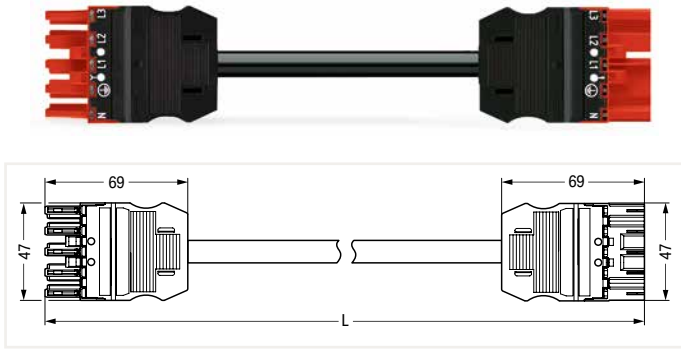


Mounting carrier; for flying leads; 2- to 5-pole		
Color	Item No.	PU
● black	770-310	25

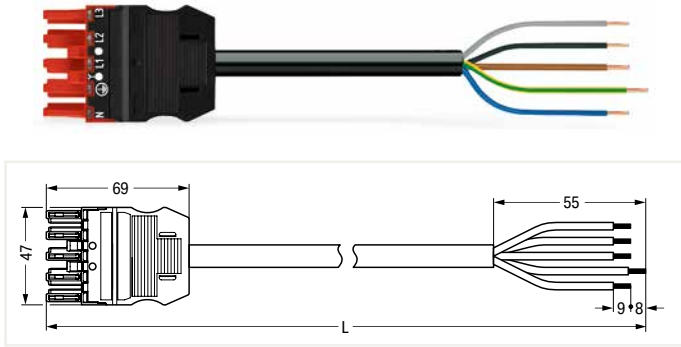
PU = Packaging Unit; SPU = Subpackaging Unit; Dimensions in mm

### Cable Assembly ▶ WINSTA® MIDI ▶ 771 Series

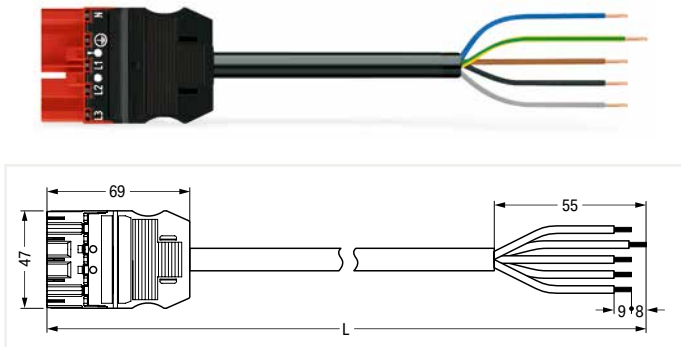
Pole No.: 5 ▶ Protection type: IP20 ▶ Fire class per EN 50575: E<sub>ca</sub> ▶ Coding: P ▶ 2.5 mm<sup>2</sup> ▶ Marking: N ⊕ L1 L2 L3 ▶ PVC ▶ Sheathed cable diameter: 11.2 ... 13.9 mm ▶ H05VV-F 5G2.5 ▶ EDV (UPS)



Total length	Connector color/Strain relief color		PU
	red/black	red/white	
1 m	771-9975/007-101	771-9975/007-102	1
2 m	771-9975/007-201	771-9975/007-202	1
3 m	771-9975/007-301	771-9975/007-302	1
4 m	771-9975/007-401	771-9975/007-402	1
5 m	771-9975/007-501	771-9975/007-502	1
6 m	771-9975/007-601	771-9975/007-602	1
7 m	771-9975/007-701	771-9975/007-702	1
8 m	771-9975/007-801	771-9975/007-802	1



Total length	Connector color/Strain relief color		PU
	red/black	red/white	
1 m	771-9975/107-101	771-9975/107-102	1
2 m	771-9975/107-201	771-9975/107-202	1
3 m	771-9975/107-301	771-9975/107-302	1
4 m	771-9975/107-401	771-9975/107-402	1
5 m	771-9975/107-501	771-9975/107-502	1
6 m	771-9975/107-601	771-9975/107-602	1
7 m	771-9975/107-701	771-9975/107-702	1
8 m	771-9975/107-801	771-9975/107-802	1



Total length	Connector color/Strain relief color		PU
	red/black	red/white	
1 m	771-9975/207-101	771-9975/207-102	1
2 m	771-9975/207-201	771-9975/207-202	1
3 m	771-9975/207-301	771-9975/207-302	1
4 m	771-9975/207-401	771-9975/207-402	1
5 m	771-9975/207-501	771-9975/207-502	1
6 m	771-9975/207-601	771-9975/207-602	1
7 m	771-9975/207-701	771-9975/207-702	1
8 m	771-9975/207-801	771-9975/207-802	1

#### Accessories; for all products on this page



Locking lever; for flying leads; manually operated		
Color	Item No.	PU (SPU)
● black	770-101	100 (25)
○ white	770-121	100 (25)



Locking lever; for flying leads; tool operated		
Color	Item No.	PU (SPU)
● black	770-111	100 (25)
○ white	770-131	100 (25)



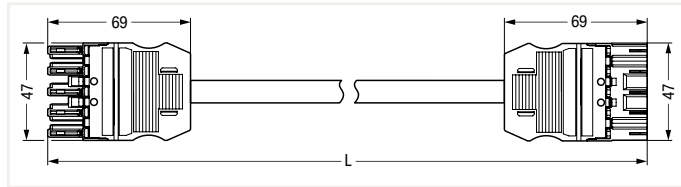
Mounting carrier; for flying leads; 2- to 5-pole		
Color	Item No.	PU
● black	770-310	25

PU = Packaging Unit; SPU = Subpackaging Unit; Dimensions in mm

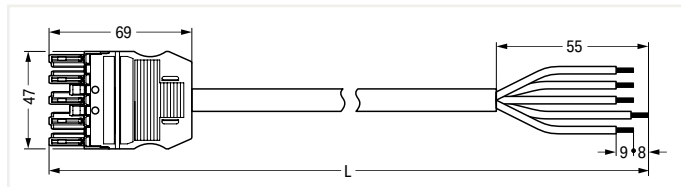


## Cable Assembly ▶ WINSTA® MIDI ▶ 771 Series

Pole No.: 5 ▶ Protection type: IP20 ▶ Fire class per EN 50575: E<sub>ca</sub> ▶ Coding: P ▶ 2.5 mm<sup>2</sup> ▶ Marking: N ⊕ L1 L2 L3 ▶ Halogen-free ▶ Sheathed cable diameter: 11.2 ... 13.9 mm ▶ H05Z1Z1-F 5G2.5 ▶ EDV (UPS)



Interconnecting cable ▶ Socket - Plug			
Total length	Connector color/Strain relief color		PU
	red/black	red/white	
1 m	771-9975/017-101	771-9975/017-102	1
2 m	771-9975/017-201	771-9975/017-202	1
3 m	771-9975/017-301	771-9975/017-302	1
4 m	771-9975/017-401	771-9975/017-402	1
5 m	771-9975/017-501	771-9975/017-502	1
6 m	771-9975/017-601	771-9975/017-602	1
7 m	771-9975/017-701	771-9975/017-702	1
8 m	771-9975/017-801	771-9975/017-802	1



Connecting cable ▶ Socket - Free end ▶ Strip length (outer insulation): 55 mm			
Total length	Connector color/Strain relief color		PU
	red/black	red/white	
1 m	771-9975/117-101	771-9975/117-102	1
2 m	771-9975/117-201	771-9975/117-202	1
3 m	771-9975/117-301	771-9975/117-302	1
4 m	771-9975/117-401	771-9975/117-402	1
5 m	771-9975/117-501	771-9975/117-502	1
6 m	771-9975/117-601	771-9975/117-602	1
7 m	771-9975/117-701	771-9975/117-702	1
8 m	771-9975/117-801	771-9975/117-802	1



Connecting cable ▶ Plug - Free end ▶ Strip length (outer insulation): 55 mm			
Total length	Connector color/Strain relief color		PU
	red/black	red/white	
1 m	771-9975/217-101	771-9975/217-102	1
2 m	771-9975/217-201	771-9975/217-202	1
3 m	771-9975/217-301	771-9975/217-302	1
4 m	771-9975/217-401	771-9975/217-402	1
5 m	771-9975/217-501	771-9975/217-502	1
6 m	771-9975/217-601	771-9975/217-602	1
7 m	771-9975/217-701	771-9975/217-702	1
8 m	771-9975/217-801	771-9975/217-802	1

### Accessories; for all products on this page



Locking lever; for flying leads; manually operated		
Color	Item No.	PU (SPU)
● black	770-101	100 (25)
○ white	770-121	100 (25)



Locking lever; for flying leads; tool operated		
Color	Item No.	PU (SPU)
● black	770-111	100 (25)
○ white	770-131	100 (25)



Mounting carrier; for flying leads; 2- to 5-pole		
Color	Item No.	PU
● black	770-310	25

PU = Packaging Unit; SPU = Subpackaging Unit; Dimensions in mm





# WAGO Pluggable Connection System *WINSTA*® MAXI

## WAGO Pluggable Connection System WINSTA® MAXI ▶ 831 Series

### 6 mm<sup>2</sup> / 35 A

- Note:
- Installation connectors are designed for connection and disconnection while not under load.
  - There is no hazard-inducing interchangeability with systems based on IEC 60309, IEC 60320, IEC 60906 and with national connector and socket systems.
  - Compliance with the standards (IEC 61535) does not guarantee hazard-preventing, non-interchangeability with installation connector systems from various manufacturers.
  - Installation connector systems are not a substitute for residential connector/socket systems.
  - WINSTA® MAXI Connectors are not intended for installation in open or easily accessible areas.



**Pluggable Connectors; 831 Series**  
5-pole

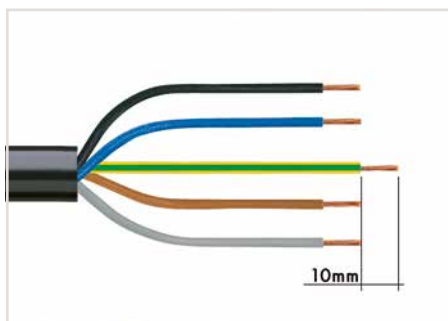
Page

284

3

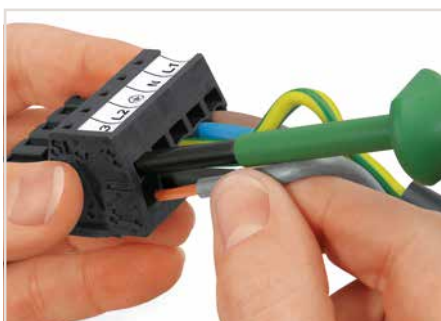
## WINSTA® MINI ▶ 890, 891 Series

### Description and Installation



The following lengths are recommended:

1. Strip length, outer insulation = 80 mm
2. Strip length = 13 mm
3. Extended ground conductor = 10 mm



To terminate fine-stranded conductors, open the clamping unit via screwdriver (5.5 mm blade width) and insert a stripped conductor until it hits backstop.



The printed marking of the connector is clearly visible in the openings of the strain relief housing.

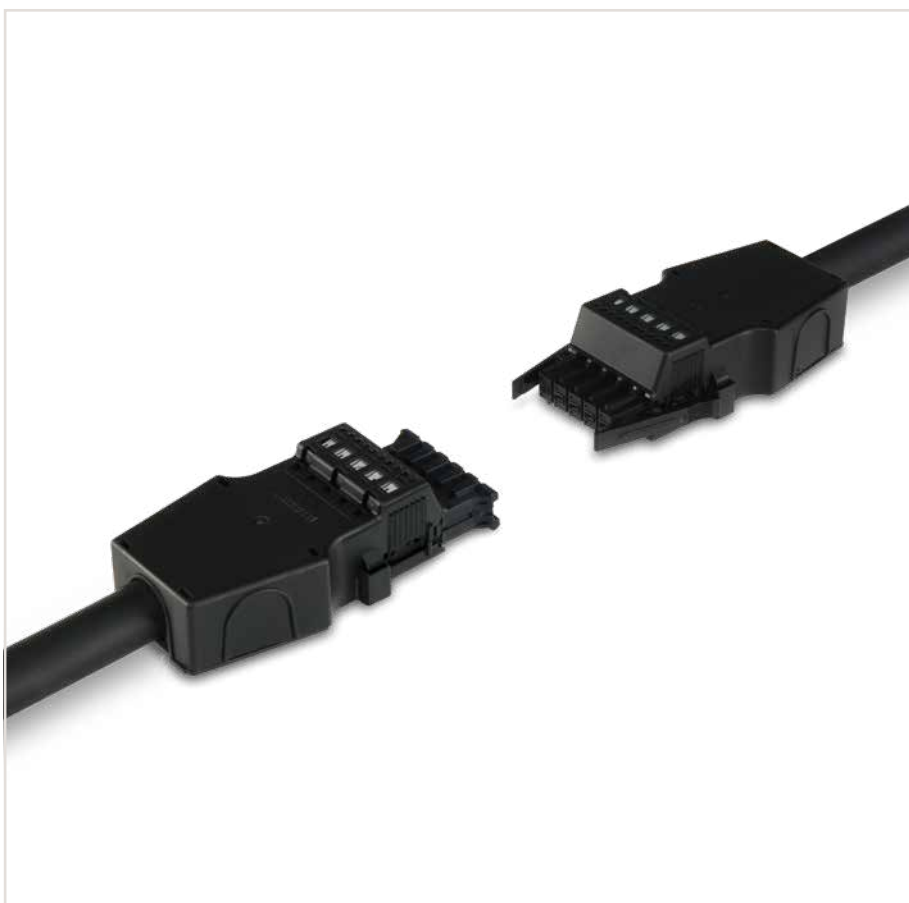
3



Unscrew base of strain relief housing.



Snap wired connector onto the base.



Tighten strain relief using a screwdriver.



Wired connector fitted in base of strain relief housing.



Latch the top of the strain relief housing.



## Pluggable Connector ▶ WINSTA® MAXI ▶ 831 Series

Pole No.: 5



- Protected against mismatching and maintenance-free
- Push-in CAGE CLAMP® spring pressure connection technology allows solid conductors to be simply pushed into a unit.
- Minimize voltage drop over longer cable runs.

### Electrical Data

Ratings per	IEC/EN 60664-1		
Overvoltage category	III	III	II
Pollution degree	3	2	2
Rated voltage	400 V	-	-
Rated impulse voltage	6 kV	-	-
Rated current	35 A	-	-

### Connection Data

Connection technology	Push-in CAGE CLAMP®
Strip length	13 mm / 0.51 inch
Nominal cross-section	6 mm <sup>2</sup>
Solid conductor	0.5 ... 6 mm <sup>2</sup> / 20 ... 8 AWG
Stranded conductor	0.5 ... 4 mm <sup>2</sup> / 20 ... 12 AWG
Fine-stranded conductor	0.5 ... 6 mm <sup>2</sup> / 20 ... 8 AWG

### Material Data

Insulation material	Polyamide (PA66)
Clamping spring material	Chrome nickel spring steel (CrNi)
Contact material	Copper or copper alloy (surface-treated)

### Mechanical Data

Number of mating cycles	100, without resistive load
Mating force of a plug-in connection	approx. 30 ... 70 N (depending on number of poles)
Unmating force of a plug-in connection	Unlocked: approx. 30 ... 70 N (depending on number of poles)
Retention force of a plug-in connection	Locked: > 80 N
Protection type	IP20
Note on protection type	When mated and secured with a strain relief housing: IP2xC (These compact connectors are not designed for use in open, easily accessible areas!)

### Environmental Requirements

Processing temperature	-5 ... +40 °C
Continuous operating temperature	-35 ... +85 °C
Note on continuous operating temperature	Insulating parts for temperatures ≤ 105 °C

All WINSTA® components are 100% protected against mismatching when:

- plugging different numbers of poles
- plugging while rotated 180
- plugging while laterally staggered
- plugging one pole

Tool Page 400

See technical section for further information

For approvals and corresponding ratings, visit [www.wago.com](http://www.wago.com)

# Pluggable Connector ▶ WINSTA® MAXI ▶ 831 Series

Pole No.: 5

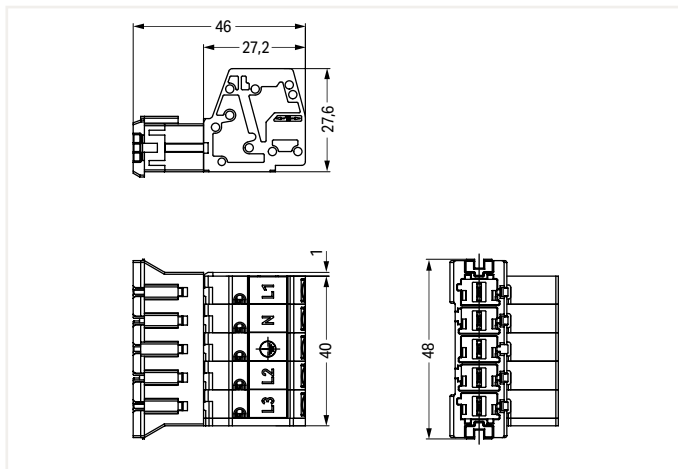
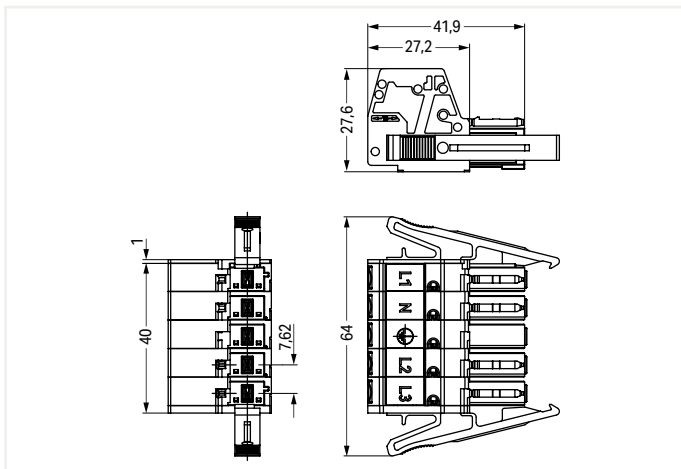
Female connector/socket

Male connector/plug



Color	Coding	Marking	Item No.	PU
● black	A	L1 N ⊕ L2 L3	831-3105/1019-004	5
○ white	A	L1 N ⊕ L2 L3	831-3105/1019-050	5

Color	Coding	Marking	Item No.	PU
● black	A	L1 N ⊕ L2 L3	831-3205/1020-004	5
○ white	A	L1 N ⊕ L2 L3	831-3205/1020-050	5



3

PU = Packaging Unit; SPU = Subpackaging Unit; Dimensions in mm







**WAGO Pluggable Connection System**  
**WINSTA® RD**

## WAGO Pluggable Connection System WINSTA® RD ▶ 774 Series

### 2.5 mm<sup>2</sup> / 20 A

- Note:**
- Installation connectors are designed for connection and disconnection while not under load.
  - There is no hazard-inducing interchangeability with systems based on IEC 60309, IEC 60320, IEC 60906 and with national connector and socket systems.
  - Compliance with the standards (IEC 61535) does not guarantee hazard-preventing, non-interchangeability with installation connector systems from various manufacturers.
  - Installation connector systems are not a substitute for residential connector/socket systems.
  - WINSTA® RD Connectors are not intended for installation in open or easily accessible areas.

	Page	
	<b>Cable Assemblies; 774 Series</b>	
	3-pole	288
	4-pole	298
	<b>Plug Adapters for Attema's Hollow-Wall Boxes; 774 Series</b>	
	3-pole	296

**Cable Assembly ▶ WINSTA® RD ▶ 774 Series**Pole No.: 3 ▶ Protection type: IP20 ▶ Fire class per EN 50575: E<sub>ca</sub>

- For round conduits and ducts
- 3- and 4-pole pre-assembled cables with 17.5 mm (0.0689 inch) outer diameter for easy plug & play
- Plug-in integration into the electrical installations of hollow-wall boxes via adapter, for example

Electrical Data						
Coding	A;S			A		
Wire cross-section	1.5 mm <sup>2</sup>			2.5 mm <sup>2</sup>		
Ratings per	IEC/EN 60664-1			IEC/EN 60664-1		
Overvoltage category	III	III	II	III	III	II
Pollution degree	3	2	2	3	2	2
Rated voltage	250 V	-	-	250 V	-	-
Rated impulse voltage	4 kV	-	-	4 kV	-	-
Rated current	16 A	-	-	20 A	-	-

Material Data	
Insulation material	Polyamide (PA66)
Contact material	Copper or copper alloy (surface-treated)
Fire class per EN 50575	E <sub>ca</sub>

Mechanical Data	
Number of mating cycles	200, without resistive load
Mating force of a plug-in connection	Approx. 30 ... 70 N (depending on pole number)
Unmating force of a plug-in connection	Unlocked: approx. 30 ... 70 N (depending on pole number)
Retention force of a plug-in connection	when locked: > 80N
Protection type	IP20
Note on protection type	When mated: IP2xC (These compact connectors are not designed for use in open, easily accessible areas!)

Environmental Requirements	
Processing temperature	-5 ... +40 °C
Continuous operating temperature	-35 ... +85 °C
Note on continuous operating temperature	PVC cable for temperatures ≤ 70 °C (including halogen-free) Insulating parts for temperatures ≤ 105 °C

All WINSTA® components are 100% protected against mismatching when:

- a.) plugging different numbers of poles
- b.) plugging while incorrectly rotated
- c.) plugging while laterally staggered

Cables with a different fire class can be found in the eShop.

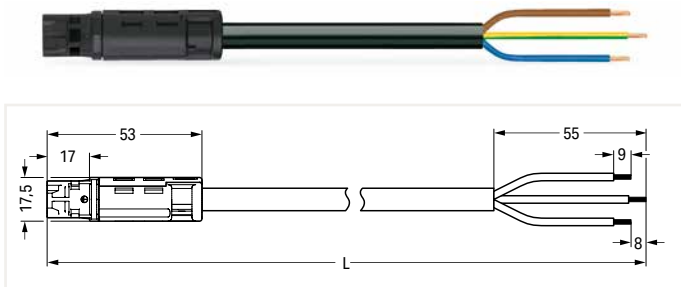
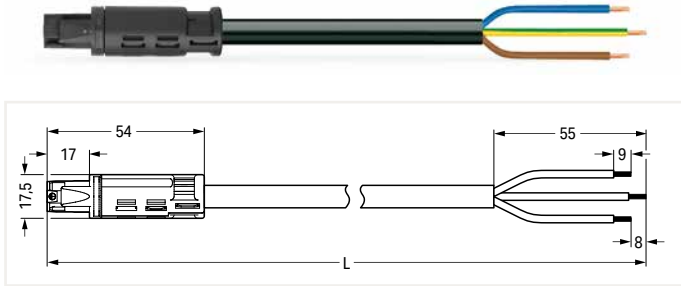
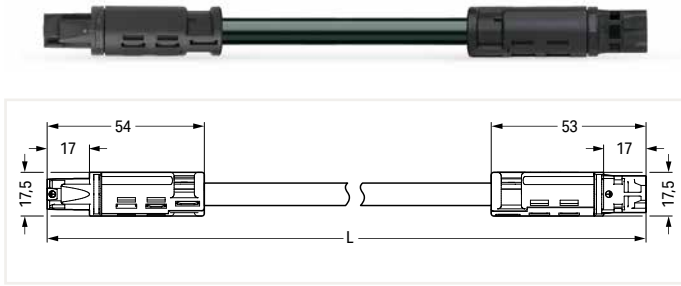
Coding Page 379

See technical section for further information

For approvals and corresponding ratings, visit [www.wago.com](http://www.wago.com)

### Cable Assembly ▶ WINSTA® RD ▶ 774 Series

Pole No.: 3 ▶ Protection type: IP20 ▶ Fire class per EN 50575: E<sub>ca</sub> ▶ Coding: A ▶ 1.5 mm<sup>2</sup> ▶ Marking: L ⊕ N ▶ PVC ▶ Sheathed cable diameter: 7.4 ... 9.4 mm ▶ H05VV-F 3G1.5



Interconnecting cable ▶ Socket - Plug			
Total length	Connector color/Strain relief color		PU
	black/black	white/white	
1 m	774-9993/006-101	774-9993/006-102	1
2 m	774-9993/006-201	774-9993/006-202	1
3 m	774-9993/006-301	774-9993/006-302	1
4 m	774-9993/006-401	774-9993/006-402	1
5 m	774-9993/006-501	774-9993/006-502	1
6 m	774-9993/006-601	774-9993/006-602	1
7 m	774-9993/006-701	774-9993/006-702	1
8 m	774-9993/006-801	774-9993/006-802	1

Connecting cable ▶ Socket - Free end			
Total length	Connector color/Strain relief color		PU
	black/black	white/white	
1 m	774-9993/106-101	774-9993/106-102	1
2 m	774-9993/106-201	774-9993/106-202	1
3 m	774-9993/106-301	774-9993/106-302	1
4 m	774-9993/106-401	774-9993/106-402	1
5 m	774-9993/106-501	774-9993/106-502	1
6 m	774-9993/106-601	774-9993/106-602	1
7 m	774-9993/106-701	774-9993/106-702	1
8 m	774-9993/106-801	774-9993/106-802	1

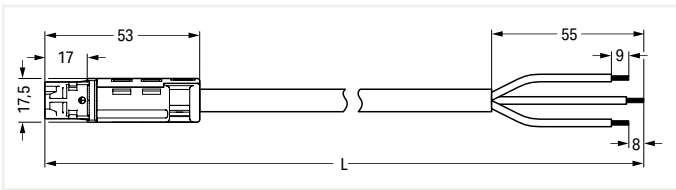
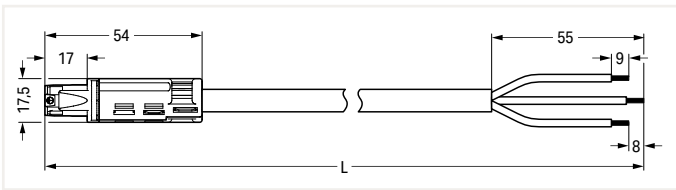
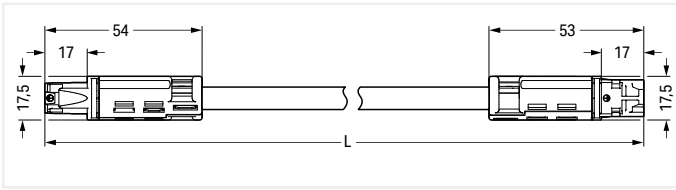
Connecting cable ▶ Plug - Free end			
Total length	Connector color/Strain relief color		PU
	black/black	white/white	
1 m	774-9993/206-101	774-9993/206-102	1
2 m	774-9993/206-201	774-9993/206-202	1
3 m	774-9993/206-301	774-9993/206-302	1
4 m	774-9993/206-401	774-9993/206-402	1
5 m	774-9993/206-501	774-9993/206-502	1
6 m	774-9993/206-601	774-9993/206-602	1
7 m	774-9993/206-701	774-9993/206-702	1
8 m	774-9993/206-801	774-9993/206-802	1

4

PU = Packaging Unit; SPU = Subpackaging Unit; Dimensions in mm

### Cable Assembly ▶ WINSTA® RD ▶ 774 Series

Pole No.: 3 ▶ Protection type: IP20 ▶ Fire class per EN 50575: E<sub>ca</sub> ▶ Coding: A ▶ 1.5 mm<sup>2</sup> ▶ Marking: L ⊕ N ▶ Halogen-free ▶ Sheathed cable diameter: 7.4 ... 9.4 mm ▶ H05Z1Z1-F 3G1.5



#### Interconnecting cable ▶ Socket - Plug

Total length	Connector color/Strain relief color		PU
	black/black	white/white	
1 m	774-9993/016-101	774-9993/016-102	1
2 m	774-9993/016-201	774-9993/016-202	1
3 m	774-9993/016-301	774-9993/016-302	1
4 m	774-9993/016-401	774-9993/016-402	1
5 m	774-9993/016-501	774-9993/016-502	1
6 m	774-9993/016-601	774-9993/016-602	1
7 m	774-9993/016-701	774-9993/016-702	1
8 m	774-9993/016-801	774-9993/016-802	1

#### Connecting cable ▶ Socket - Free end

Total length	Connector color/Strain relief color		PU
	black/black	white/white	
1 m	774-9993/116-101	774-9993/116-102	1
2 m	774-9993/116-201	774-9993/116-202	1
3 m	774-9993/116-301	774-9993/116-302	1
4 m	774-9993/116-401	774-9993/116-402	1
5 m	774-9993/116-501	774-9993/116-502	1
6 m	774-9993/116-601	774-9993/116-602	1
7 m	774-9993/116-701	774-9993/116-702	1
8 m	774-9993/116-801	774-9993/116-802	1

#### Connecting cable ▶ Plug - Free end

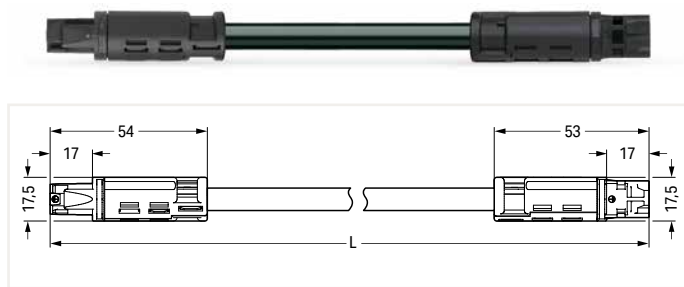
Total length	Connector color/Strain relief color		PU
	black/black	white/white	
1 m	774-9993/216-101	774-9993/216-102	1
2 m	774-9993/216-201	774-9993/216-202	1
3 m	774-9993/216-301	774-9993/216-302	1
4 m	774-9993/216-401	774-9993/216-402	1
5 m	774-9993/216-501	774-9993/216-502	1
6 m	774-9993/216-601	774-9993/216-602	1
7 m	774-9993/216-701	774-9993/216-702	1
8 m	774-9993/216-801	774-9993/216-802	1

4

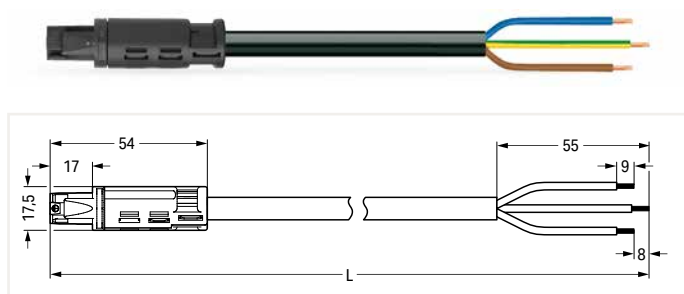
PU = Packaging Unit; SPU = Subpackaging Unit; Dimensions in mm

### Cable Assembly ▶ WINSTA® RD ▶ 774 Series

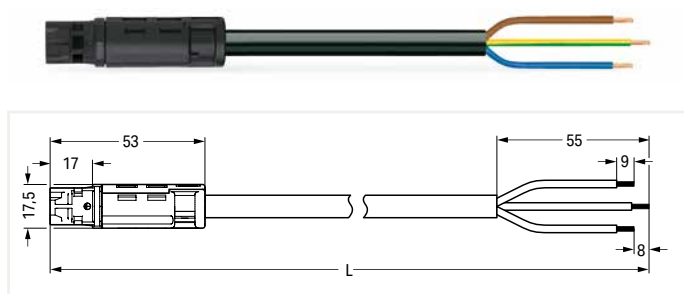
Pole No.: 3 ▶ Protection type: IP20 ▶ Fire class per EN 50575: E<sub>ca</sub> ▶ Coding: A ▶ 2.5 mm<sup>2</sup> ▶ Marking: L ⊕ N ▶ PVC ▶ Sheathed cable diameter: 9.2 ... 11.4 mm ▶ H05VV-F 3G2.5



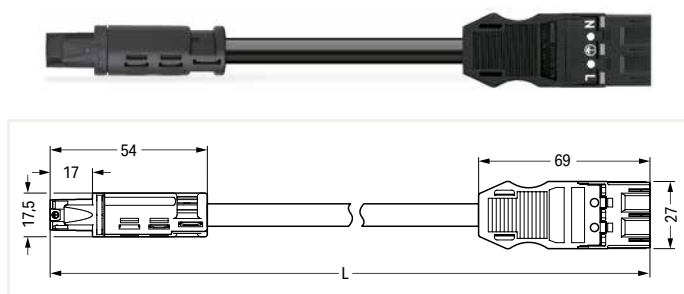
Interconnecting cable ▶ Socket - Plug			
Total length	Connector color/Strain relief color		PU
	black/black	white/white	
1 m	774-9993/007-101	774-9993/007-102	1
2 m	774-9993/007-201	774-9993/007-202	1
3 m	774-9993/007-301	774-9993/007-302	1
4 m	774-9993/007-401	774-9993/007-402	1
5 m	774-9993/007-501	774-9993/007-502	1
6 m	774-9993/007-601	774-9993/007-602	1
7 m	774-9993/007-701	774-9993/007-702	1
8 m	774-9993/007-801	774-9993/007-802	1



Connecting cable ▶ Socket - Free end			
Total length	Connector color/Strain relief color		PU
	black/black	white/white	
1 m	774-9993/107-101	774-9993/107-102	1
2 m	774-9993/107-201	774-9993/107-202	1
3 m	774-9993/107-301	774-9993/107-302	1
4 m	774-9993/107-401	774-9993/107-402	1
5 m	774-9993/107-501	774-9993/107-502	1
6 m	774-9993/107-601	774-9993/107-602	1
7 m	774-9993/107-701	774-9993/107-702	1
8 m	774-9993/107-801	774-9993/107-802	1



Connecting cable ▶ Plug - Free end			
Total length	Connector color/Strain relief color		PU
	black/black	white/white	
1 m	774-9993/207-101	774-9993/207-102	1
2 m	774-9993/207-201	774-9993/207-202	1
3 m	774-9993/207-301	774-9993/207-302	1
4 m	774-9993/207-401	774-9993/207-402	1
5 m	774-9993/207-501	774-9993/207-502	1
6 m	774-9993/207-601	774-9993/207-602	1
7 m	774-9993/207-701	774-9993/207-702	1
8 m	774-9993/207-801	774-9993/207-802	1



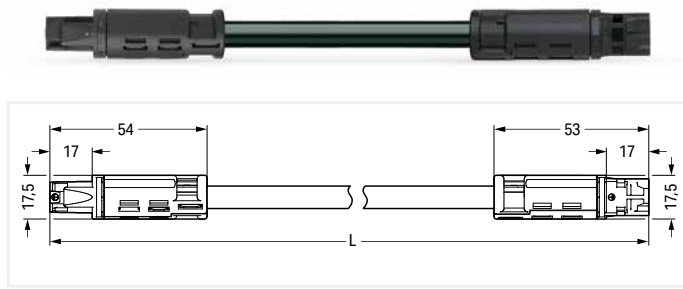
Adapter cable ▶ RD socket - MIDI plug			
Total length	Connector color/Strain relief color		PU
	black/black	white/white	
1 m	774-9993/1507-101		1
2 m	774-9993/1507-201		1
3 m	774-9993/1507-301		1
4 m	774-9993/1507-401		1
5 m	774-9993/1507-501		1
6 m	774-9993/1507-601		1
7 m	774-9993/1507-701		1
8 m	774-9993/1507-801		1

4

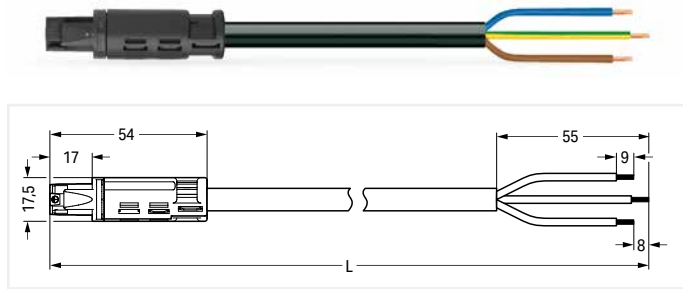
PU = Packaging Unit; SPU = Subpackaging Unit; Dimensions in mm

### Cable Assembly ▶ WINSTA® RD ▶ 774 Series

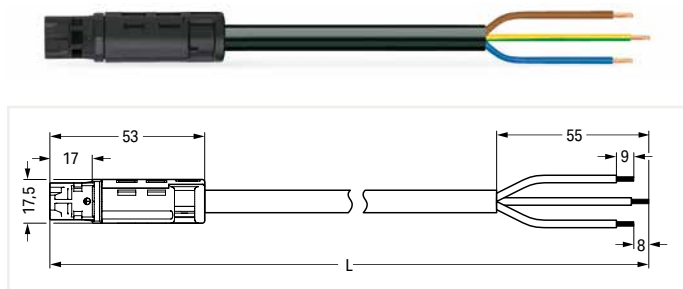
Pole No.: 3 ▶ Protection type: IP20 ▶ Fire class per EN 50575: E<sub>ca</sub> ▶ Coding: A ▶ 2.5 mm<sup>2</sup> ▶ Marking: L ⊕ N ▶ Halogen-free ▶ Sheathed cable diameter: 9.2 ... 11.4 mm ▶ H05Z1Z1-F 3G2.5



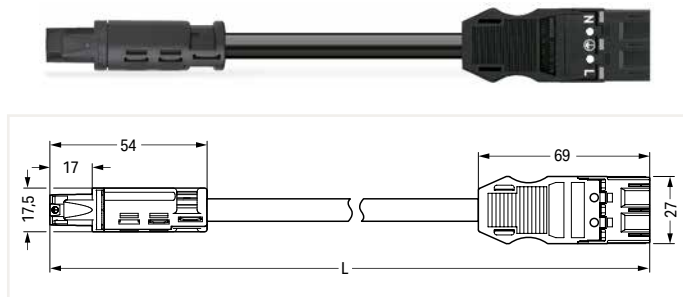
Interconnecting cable ▶ Socket - Plug			
Total length	Connector color/Strain relief color		PU
	black/black	white/white	
1 m	774-9993/017-101	774-9993/017-102	1
2 m	774-9993/017-201	774-9993/017-202	1
3 m	774-9993/017-301	774-9993/017-302	1
4 m	774-9993/017-401	774-9993/017-402	1
5 m	774-9993/017-501	774-9993/017-502	1
6 m	774-9993/017-601	774-9993/017-602	1
7 m	774-9993/017-701	774-9993/017-702	1
8 m	774-9993/017-801	774-9993/017-802	1



Connecting cable ▶ Socket - Free end			
Total length	Connector color/Strain relief color		PU
	black/black	white/white	
1 m	774-9993/117-101	774-9993/117-102	1
2 m	774-9993/117-201	774-9993/117-202	1
3 m	774-9993/117-301	774-9993/117-302	1
4 m	774-9993/117-401	774-9993/117-402	1
5 m	774-9993/117-501	774-9993/117-502	1
6 m	774-9993/117-601	774-9993/117-602	1
7 m	774-9993/117-701	774-9993/117-702	1
8 m	774-9993/117-801	774-9993/117-802	1



Connecting cable ▶ Plug - Free end			
Total length	Connector color/Strain relief color		PU
	black/black	white/white	
1 m	774-9993/217-101	774-9993/217-102	1
2 m	774-9993/217-201	774-9993/217-202	1
3 m	774-9993/217-301	774-9993/217-302	1
4 m	774-9993/217-401	774-9993/217-402	1
5 m	774-9993/217-501	774-9993/217-502	1
6 m	774-9993/217-601	774-9993/217-602	1
7 m	774-9993/217-701	774-9993/217-702	1
8 m	774-9993/217-801	774-9993/217-802	1



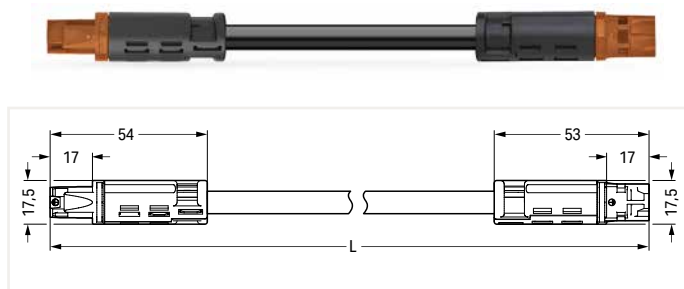
Adapter cable ▶ RD socket - MIDI plug			
Total length	Connector color/Strain relief color		PU
	black/black	white/white	
1 m	774-9993/1517-101		1
2 m	774-9993/1517-201		1
3 m	774-9993/1517-301		1
4 m	774-9993/1517-401		1
5 m	774-9993/1517-501		1
6 m	774-9993/1517-601		1
7 m	774-9993/1517-701		1
8 m	774-9993/1517-801		1

4

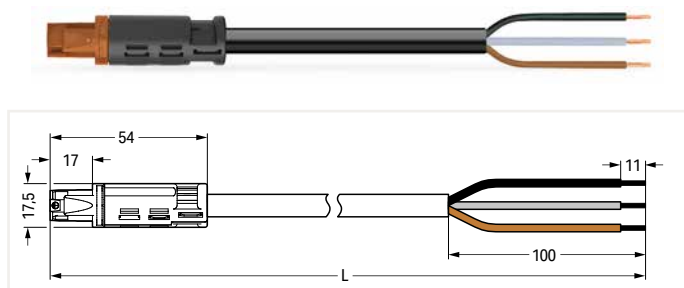
PU = Packaging Unit; SPU = Subpackaging Unit; Dimensions in mm

### Cable Assembly ▶ WINSTA® RD ▶ 774 Series

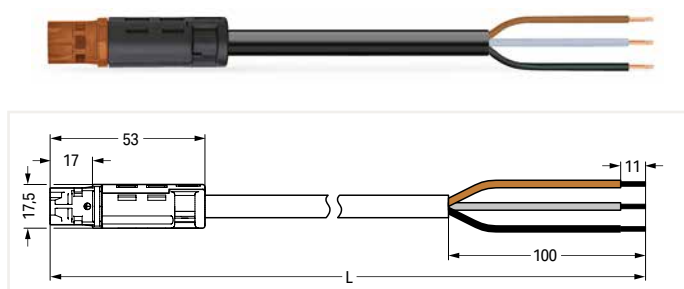
Pole No.: 3 ▶ Protection type: IP20 ▶ Fire class per EN 50575: E<sub>ca</sub> ▶ Coding: S ▶ 1.5 mm<sup>2</sup> ▶ Marking: 1 2 L ▶ PVC ▶ Sheathed cable diameter: 7.4 ... 9.4 mm ▶ H05VV-F 3x1.5



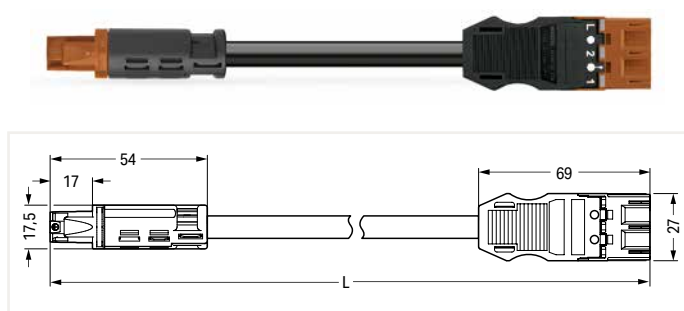
Interconnecting cable ▶ Socket - Plug				
Total length	Connector color/Strain relief color			PU
	brown/black			
1 m	774-9973/006-105			1
2 m	774-9973/006-205			1
3 m	774-9973/006-305			1
4 m	774-9973/006-405			1
5 m	774-9973/006-505			1
6 m	774-9973/006-605			1
7 m	774-9973/006-705			1
8 m	774-9973/006-805			1



Connecting cable ▶ Socket - Free end				
Total length	Connector color/Strain relief color			PU
	brown/black			
1 m	774-9973/106-105			1
2 m	774-9973/106-205			1
3 m	774-9973/106-305			1
4 m	774-9973/106-405			1
5 m	774-9973/106-505			1
6 m	774-9973/106-605			1
7 m	774-9973/106-705			1
8 m	774-9973/106-805			1



Connecting cable ▶ Plug - Free end				
Total length	Connector color/Strain relief color			PU
	brown/black			
1 m	774-9973/206-105			1
2 m	774-9973/206-205			1
3 m	774-9973/206-305			1
4 m	774-9973/206-405			1
5 m	774-9973/206-505			1
6 m	774-9973/206-605			1
7 m	774-9973/206-705			1
8 m	774-9973/206-805			1



Adapter cable ▶ RD socket - MIDI plug				
Total length	Connector color/Strain relief color			PU
	brown/black			
1 m	774-9973/1506-105			1
2 m	774-9973/1506-205			1
3 m	774-9973/1506-305			1
4 m	774-9973/1506-405			1
5 m	774-9973/1506-505			1
6 m	774-9973/1506-605			1
7 m	774-9973/1506-705			1
8 m	774-9973/1506-805			1

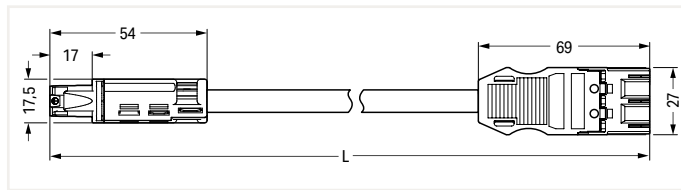
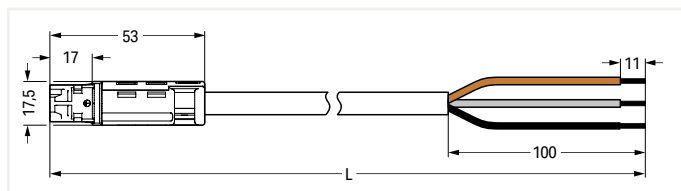
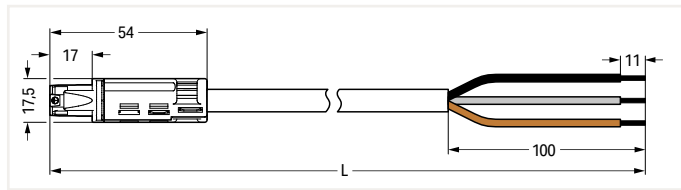
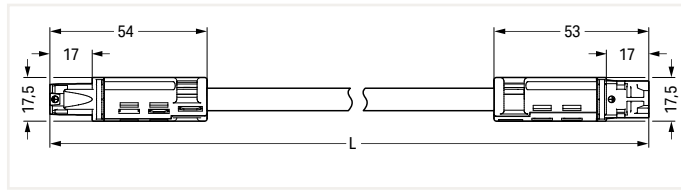
4

PU = Packaging Unit; SPU = Subpackaging Unit; Dimensions in mm



### Cable Assembly ▶ WINSTA® RD ▶ 774 Series

Pole No.: 3 ▶ Protection type: IP20 ▶ Fire class per EN 50575: E<sub>ca</sub> ▶ Coding: S ▶ 1.5 mm<sup>2</sup> ▶ Marking: 1 2 L ▶ Halogen-free ▶ Sheathed cable diameter: 7.4 ... 9.4 mm ▶ H05Z1Z1-F 3x1.5



#### Interconnecting cable ▶ Socket - Plug

Total length	Connector color/Strain relief color		PU
	brown/black		
1 m	774-9973/016-105		1
2 m	774-9973/016-205		1
3 m	774-9973/016-305		1
4 m	774-9973/016-405		1
5 m	774-9973/016-505		1
6 m	774-9973/016-605		1
7 m	774-9973/016-705		1
8 m	774-9973/016-805		1

#### Connecting cable ▶ Socket - Free end

Total length	Connector color/Strain relief color		PU
	brown/black		
1 m	774-9973/116-105		1
2 m	774-9973/116-205		1
3 m	774-9973/116-305		1
4 m	774-9973/116-405		1
5 m	774-9973/116-505		1
6 m	774-9973/116-605		1
7 m	774-9973/116-705		1
8 m	774-9973/116-805		1

#### Connecting cable ▶ Plug - Free end

Total length	Connector color/Strain relief color		PU
	brown/black		
1 m	774-9973/216-105		1
2 m	774-9973/216-205		1
3 m	774-9973/216-305		1
4 m	774-9973/216-405		1
5 m	774-9973/216-505		1
6 m	774-9973/216-605		1
7 m	774-9973/216-705		1
8 m	774-9973/216-805		1

#### Adapter cable ▶ RD socket - MIDI plug

Total length	Connector color/Strain relief color		PU
	brown/black		
1 m	774-9973/1516-105		1
2 m	774-9973/1516-205		1
3 m	774-9973/1516-305		1
4 m	774-9973/1516-405		1
5 m	774-9973/1516-505		1
6 m	774-9973/1516-605		1
7 m	774-9973/1516-705		1
8 m	774-9973/1516-805		1

4

PU = Packaging Unit; SPU = Subpackaging Unit; Dimensions in mm

4

## Pluggable Connector ▶ WINSTA® RD ▶ 774 Series

Pole No.: 3 ▶ Plug adapter - Free end ▶ 2.5 mm<sup>2</sup> ▶ for Attema's hollow-wall boxes ▶ Fire class per EN 50575: E<sub>ca</sub>



- For round conduits and ducts
- 3- and 4-pole pre-assembled cables with 17.5 mm (0.0689 inch) outer diameter for easy plug & play
- Plug-in integration into the electrical installations of hollow-wall boxes via adapter, for example

### Electrical Data

Ratings per	IEC/EN 60664-1		
Overvoltage category	III	III	II
Pollution degree	3	2	2
Rated voltage	250 V	-	-
Rated impulse voltage	4 kV	-	-
Rated current	20 A	-	-

### Connection Data

Strip length	16 mm / 0.63 inch
--------------	-------------------

### Material Data

Insulation material	Polyamide (PA66)
Contact material	Copper or copper alloy (surface-treated)
Fire class per EN 50575	E <sub>ca</sub>

### Mechanical Data

Number of mating cycles	200, without resistive load
Mating force of a plug-in connection	Approx. 30 ... 70 N (depending on pole number)
Unmating force of a plug-in connection	Unlocked: approx. 30 ... 70 N (depending on pole number)
Retention force of a plug-in connection	when locked: > 80N
Protection type	IP20
Note on protection type	When mated: IP2xC (These compact connectors are not designed for use in open, easily accessible areas!)

### Environmental Requirements

Processing temperature	-5 ... +40 °C
Continuous operating temperature	-35 ... +85 °C
Note on continuous operating temperature	PVC cable for temperatures ≤ 70 °C (including halogen-free) Insulating parts for temperatures ≤ 105 °C

All WINSTA® components are 100% protected against mismatching when:

- plugging different numbers of poles
- plugging while incorrectly rotated
- plugging while laterally staggered

These plug adapters are designed for Attema's hollow-wall boxes. They permit complete preassembly of switches and power outlets, allowing them to be plugged on site via WINSTA® RD Connectors. This relocates the wiring of switches and outlets from the construction site to the factory, simplifying on-site installation and minimizing installation time.

See technical section for further information

For approvals and corresponding ratings, visit [www.wago.com](http://www.wago.com)

### Pluggable Connector ▶ WINSTA® RD ▶ 774 Series

Pole No.: 3 ▶ Plug adapter - Free end ▶ 2.5 mm<sup>2</sup> ▶ for Attema's hollow-wall boxes ▶ Fire class per EN 50575: E<sub>ca</sub>



774-213/9900-000

General mains applications			
Color	Coding	Item No.	PU
● black	A	774-213/9900-000	10



774-1373/9900-000

Switching function			
Color	Coding	Item No.	PU
● black	S	774-1373/9900-000	10

## Cable Assembly ▶ WINSTA® RD ▶ 774 Series

Pole No.: 4 ▶ Protection type: IP20 ▶ Coding: A ▶ 1.5 mm<sup>2</sup> ▶ Marking: N ⊕ 2 1 ▶ Sheathed cable diameter: 8.4 ... 10.5 mm ▶ Fire class per EN 50575: E<sub>ca</sub>



- For round conduits and ducts
- 3- and 4-pole pre-assembled cables with 17.5 mm (0.0689 inch) outer diameter for easy plug & play
- Plug-in integration into the electrical installations of hollow-wall boxes via adapter, for example

### Electrical Data

Coding	A		
Ratings per	IEC/EN 60664-1		
Overvoltage category	III	III	II
Pollution degree	3	2	2
Rated voltage	250 V	-	-
Rated impulse voltage	4 kV	-	-
Rated current	16 A	-	-

### Material Data

Insulation material	Polyamide (PA66)
Contact material	Copper or copper alloy (surface-treated)
Fire class per EN 50575	E <sub>ca</sub>

### Mechanical Data

Number of mating cycles	200, without resistive load
Mating force of a plug-in connection	Approx. 30 ... 70 N (depending on pole number)
Unmating force of a plug-in connection	Unlocked: approx. 30 ... 70 N (depending on pole number)
Retention force of a plug-in connection	when locked: > 80N
Protection type	IP20
Note on protection type	When mated: IP2xC (These compact connectors are not designed for use in open, easily accessible areas!)

### Environmental Requirements

Processing temperature	-5 ... +40 °C
Continuous operating temperature	-35 ... +85 °C
Note on continuous operating temperature	PVC cable for temperatures ≤ 70 °C (including halogen-free) Insulating parts for temperatures ≤ 105 °C

All WINSTA® components are 100% protected against mismating when:

- a.) plugging different numbers of poles
- b.) plugging while incorrectly rotated
- c.) plugging while laterally staggered

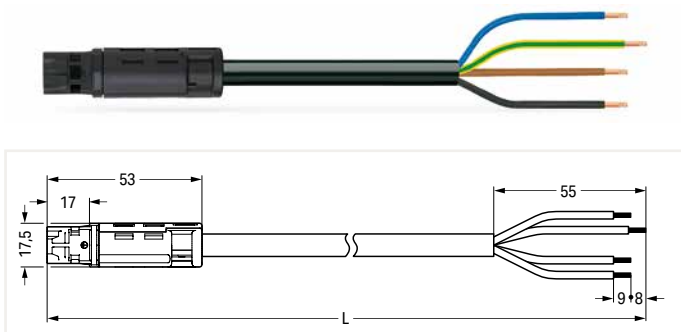
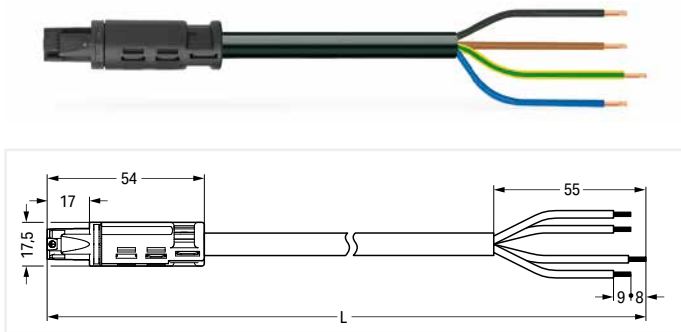
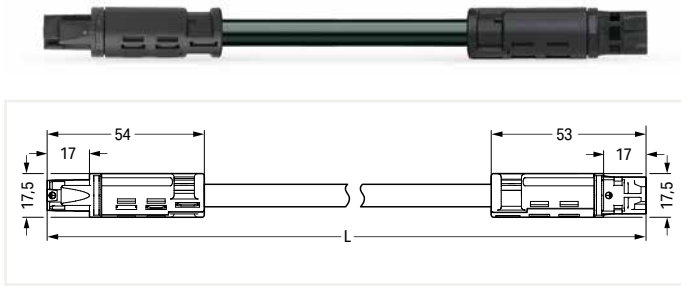
Cables with a different fire class can be found in the eShop.

See technical section for further information

For approvals and corresponding ratings, visit [www.wago.com](http://www.wago.com)

### Cable Assembly ▶ WINSTA® RD ▶ 774 Series

Pole No.: 4 ▶ Protection type: IP20 ▶ Coding: A ▶ 1.5 mm<sup>2</sup> ▶ Marking: N ⊕ 2 1 ▶ Sheathed cable diameter: 8.4 ... 10.5 mm ▶ Fire class per EN 50575: E<sub>ca</sub> ▶ PVC ▶ H05VV-F 4G1.5



Interconnecting cable ▶ Socket - Plug			
Total length	Connector color/Strain relief color		PU
	black/black	white/white	
1 m	774-9994/006-101	774-9994/006-102	1
2 m	774-9994/006-201	774-9994/006-202	1
3 m	774-9994/006-301	774-9994/006-302	1
4 m	774-9994/006-401	774-9994/006-402	1
5 m	774-9994/006-501	774-9994/006-502	1
6 m	774-9994/006-601	774-9994/006-602	1
7 m	774-9994/006-701	774-9994/006-702	1
8 m	774-9994/006-801	774-9994/006-802	1

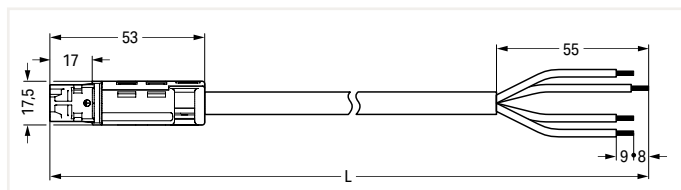
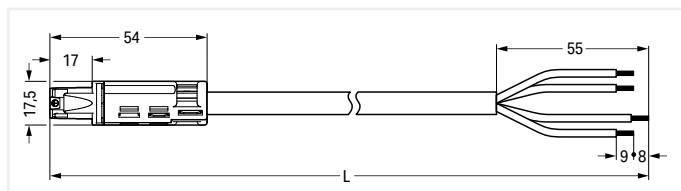
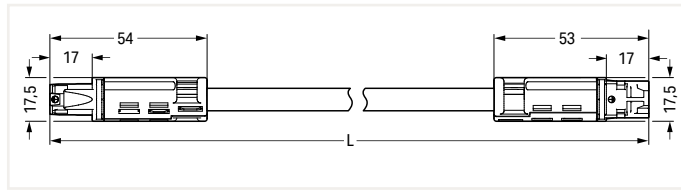
Connecting cable ▶ Socket - Free end			
Total length	Connector color/Strain relief color		PU
	black/black	white/white	
1 m	774-9994/106-101	774-9994/106-102	1
2 m	774-9994/106-201	774-9994/106-202	1
3 m	774-9994/106-301	774-9994/106-302	1
4 m	774-9994/106-401	774-9994/106-402	1
5 m	774-9994/106-501	774-9994/106-502	1
6 m	774-9994/106-601	774-9994/106-602	1
7 m	774-9994/106-701	774-9994/106-702	1
8 m	774-9994/106-801	774-9994/106-802	1

Connecting cable ▶ Plug - Free end			
Total length	Connector color/Strain relief color		PU
	black/black	white/white	
1 m	774-9994/206-101	774-9994/206-102	1
2 m	774-9994/206-201	774-9994/206-202	1
3 m	774-9994/206-301	774-9994/206-302	1
4 m	774-9994/206-401	774-9994/206-402	1
5 m	774-9994/206-501	774-9994/206-502	1
6 m	774-9994/206-601	774-9994/206-602	1
7 m	774-9994/206-701	774-9994/206-702	1
8 m	774-9994/206-801	774-9994/206-802	1

PU = Packaging Unit; SPU = Subpackaging Unit; Dimensions in mm

### Cable Assembly ▶ WINSTA® RD ▶ 774 Series

Pole No.: 4 ▶ Protection type: IP20 ▶ Coding: A ▶ 1.5 mm<sup>2</sup> ▶ Marking: N ⊕ 2 1 ▶ Sheathed cable diameter: 8.4 ... 10.5 mm ▶ Fire class per EN 50575: E<sub>ca</sub> ▶ Halogen-free ▶ H05Z1Z1-F 4G1.5



#### Interconnecting cable ▶ Socket - Plug

Total length	Connector color/Strain relief color		PU
	black/black	white/white	
1 m	774-9994/016-101	774-9994/016-102	1
2 m	774-9994/016-201	774-9994/016-202	1
3 m	774-9994/016-301	774-9994/016-302	1
4 m	774-9994/016-401	774-9994/016-402	1
5 m	774-9994/016-501	774-9994/016-502	1
6 m	774-9994/016-601	774-9994/016-602	1
7 m	774-9994/016-701	774-9994/016-702	1
8 m	774-9994/016-801	774-9994/016-802	1

#### Connecting cable ▶ Socket - Free end

Total length	Connector color/Strain relief color		PU
	black/black	white/white	
1 m	774-9994/116-101	774-9994/116-102	1
2 m	774-9994/116-201	774-9994/116-202	1
3 m	774-9994/116-301	774-9994/116-302	1
4 m	774-9994/116-401	774-9994/116-402	1
5 m	774-9994/116-501	774-9994/116-502	1
6 m	774-9994/116-601	774-9994/116-602	1
7 m	774-9994/116-701	774-9994/116-702	1
8 m	774-9994/116-801	774-9994/116-802	1

#### Connecting cable ▶ Plug - Free end

Total length	Connector color/Strain relief color		PU
	black/black	white/white	
1 m	774-9994/216-101	774-9994/216-102	1
2 m	774-9994/216-201	774-9994/216-202	1
3 m	774-9994/216-301	774-9994/216-302	1
4 m	774-9994/216-401	774-9994/216-402	1
5 m	774-9994/216-501	774-9994/216-502	1
6 m	774-9994/216-601	774-9994/216-602	1
7 m	774-9994/216-701	774-9994/216-702	1
8 m	774-9994/216-801	774-9994/216-802	1

4

PU = Packaging Unit; SPU = Subpackaging Unit; Dimensions in mm

4





# WAGO Pluggable Connection System *WINSTA*® KNX

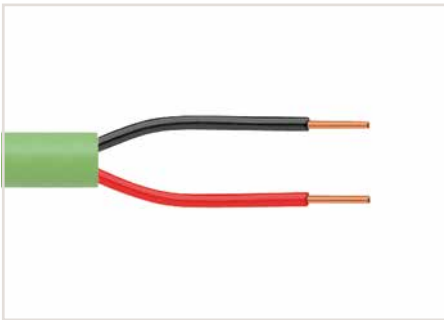
## WAGO Pluggable Connection System WINSTA® KNX ▶ 893, 894 Series

### Ø 0.8 mm / 3 A

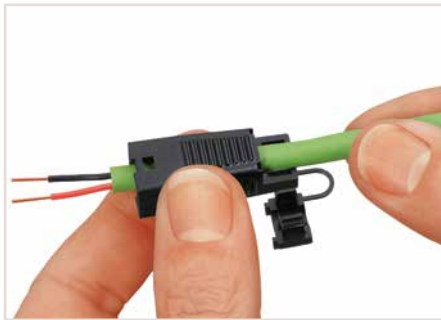
- Note:
- Installation connectors are designed for connection and disconnection while not under load.
  - There is no hazard-inducing interchangeability with systems based on IEC 60309, IEC 60320, IEC 60906 and with national connector and socket systems.
  - Installation connector systems are not a substitute for residential connector/socket systems.
  - WINSTA® KNX Connectors are not intended for installation in open or easily accessible areas.

	Page
	306
	308
	310
	312

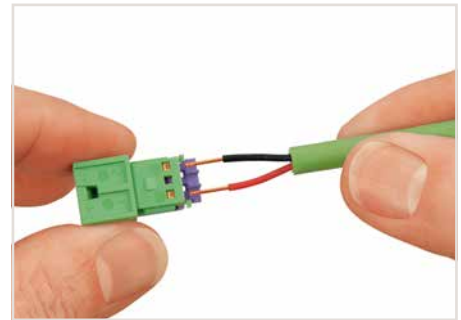
## WINSTA® KNX ▶ 893, 894 Series Description and Installation



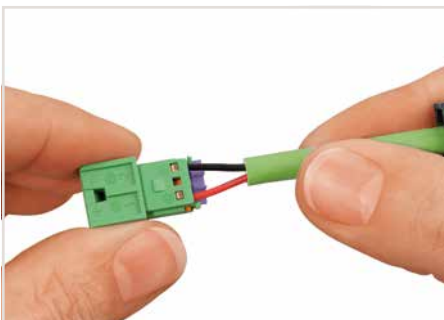
1. Strip length, outer insulation = 23 mm
2. Strip length = 9 mm



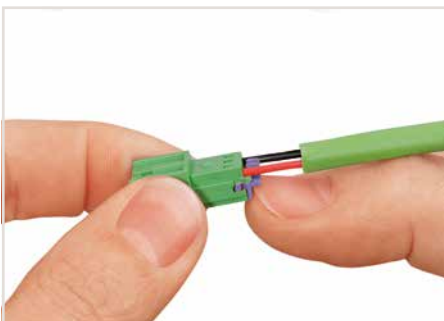
Prior to termination, pull the strain relief housing over the cable.



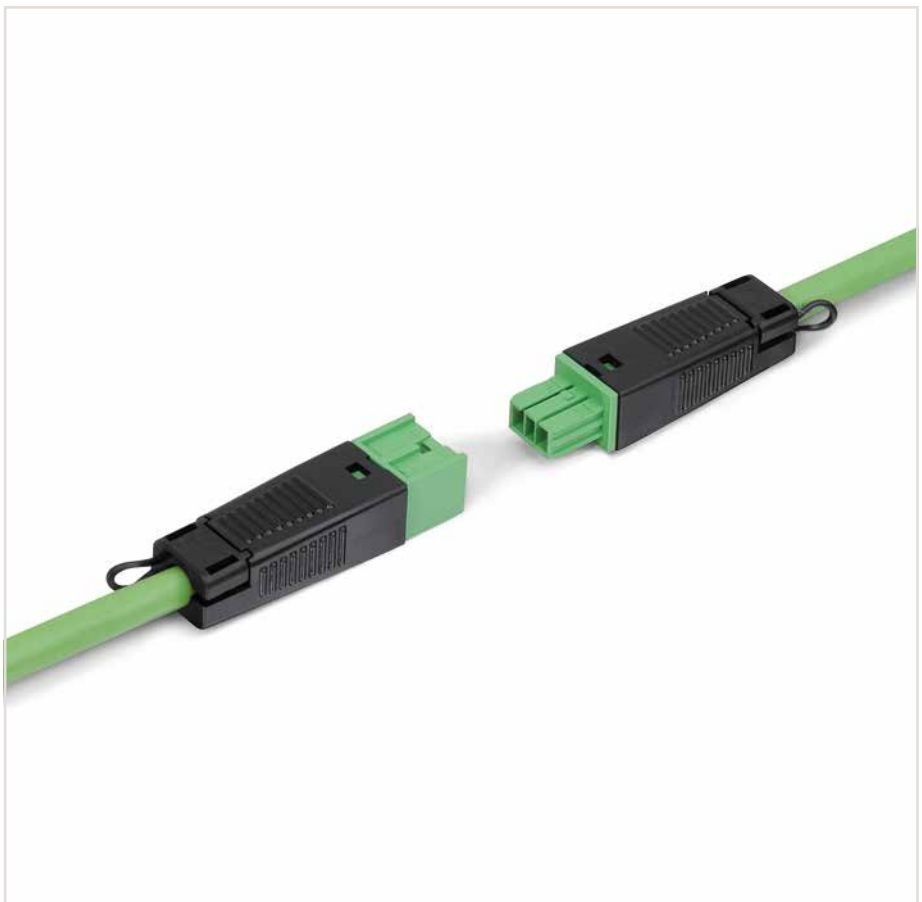
Insert stripped conductors directly into the conductor entries.



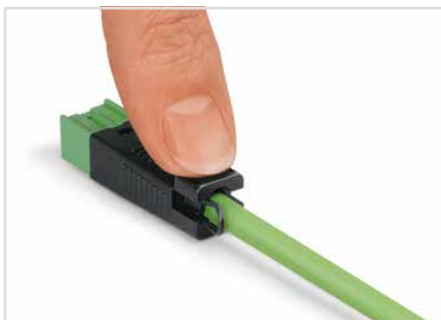
Push conductors until they hit backstop.



To disconnect, open clamping unit using the actuator and pull out the conductor.



Snap wired connector into the strain relief housing.



Press strain relief firmly on the cable.



Pre-assembled KNX connector



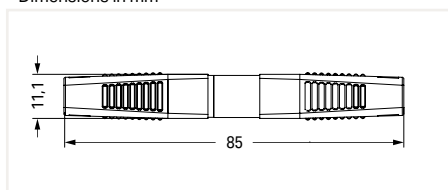
## Pluggable Connector ▶ WINSTA® KNX ▶ 893 Series

Pole No.: 2



- For low voltages up to 50 V
- Compact size, standardized interface
- Available in two different custom coding options with protection against mismatching

Dimensions in mm



### Electrical Data

Coding	E;F		
Ratings per	IEC/EN 60664-1		
Overvoltage category	III	III	II
Pollution degree	3	2	2
Rated voltage	50 V	-	-
Rated impulse voltage	0.8 kV	-	-
Rated current	3 A	-	-

### Connection Data

Connection technology	PUSH WIRE®
Strip length	9 mm / 0.35 inch
Conductor diameter	0.8 mm

### Material Data

Insulation material	Polyamide (PA66)
Clamping spring material	Chrome nickel spring steel (CrNi)
Contact material	Copper alloy (surface-treated)
Fire class per EN 50575	E <sub>ca</sub>

### Mechanical Data

Number of mating cycles	200
Mating force of a plug-in connection	Approx. 10 ... 15 N
Unmating force of a plug-in connection	Unlocked: approx. 15 ... 20 N
Retention force of a plug-in connection	Locked: > 80 N
Protection type	IP20
Note on protection type	Only when mated and secured with a strain relief housing (These compact connectors are not designed for use in open, easily accessible areas.)

### Environmental Requirements

Processing temperature	-5 ... +40 °C
Continuous operating temperature	-35 ... +85 °C
Note on continuous operating temperature	Insulating parts for temperatures ≤ 105 °C

All WINSTA® components are 100% protected against mismatching when:

- plugging different numbers of poles
- plugging while rotated 180
- plugging while laterally staggered
- plugging one pole

See technical section for further information

For approvals and corresponding ratings, visit [www.wago.com](http://www.wago.com)

# Pluggable Connector ▶ WINSTA® KNX ▶ 893 Series

## Pole No.: 2

Female connector/socket

Male connector/plug



893-1002



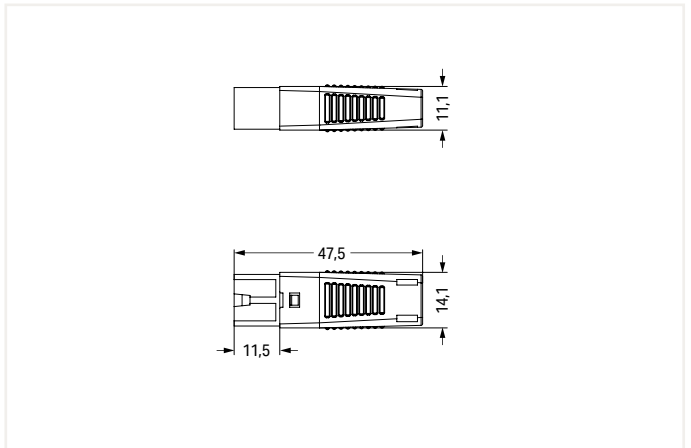
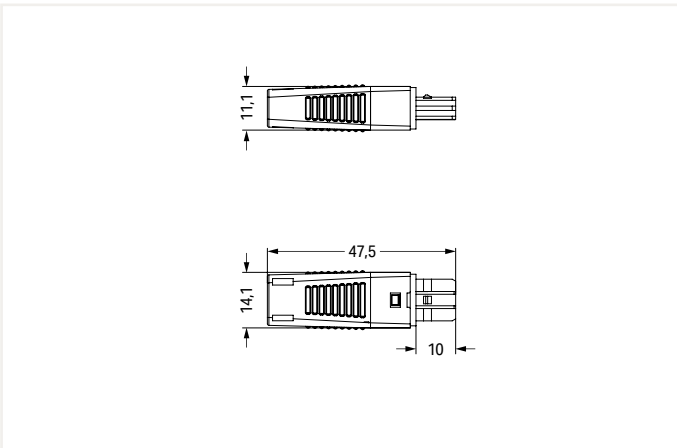
893-1012

Coding:E				
Color	Coding	Marking	Item No.	PU
● green	E	1+ 2-	893-1002	50

Coding:E				
Color	Coding	Marking	Item No.	PU
● green	E	1+ 2-	893-1012	50

Coding:F				
Color	Coding	Marking	Item No.	PU
○ light gray	F	1+ 2-	893-1022	50

Coding:F				
Color	Coding	Marking	Item No.	PU
○ light gray	F	1+ 2-	893-1032	50



5

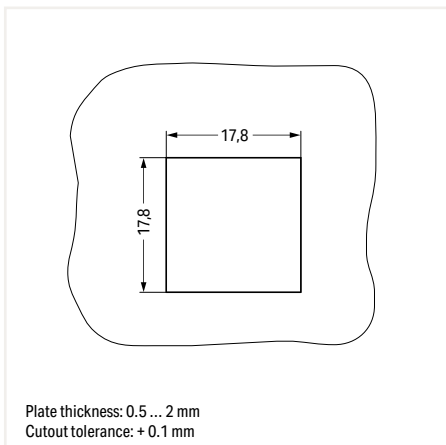
PU = Packaging Unit; SPU = Subpackaging Unit; Dimensions in mm

## Snap-in Device Connector ▶ WINSTA® KNX ▶ 893 Series

Pole No.: 2



- For low voltages up to 50 V
- Compact size, standardized interface
- Available in two different custom coding options with protection against mismatching



### Electrical Data

Coding	E;F		
Ratings per	IEC/EN 60664-1		
Overvoltage category	III	III	II
Pollution degree	3	2	2
Rated voltage	50 V	-	-
Rated impulse voltage	0.8 kV	-	-
Rated current	3 A	-	-

### Connection Data

Connection technology	PUSH WIRE®
Strip length	9 mm / 0.35 inch
Conductor diameter	0.8 mm

### Material Data

Insulation material	Polyamide (PA66)
Clamping spring material	Chrome nickel spring steel (CrNi)
Contact material	Copper alloy (surface-treated)
Fire class per EN 50575	E <sub>ca</sub>

### Mechanical Data

Number of mating cycles	200
Mating force of a plug-in connection	Approx. 10 ... 15 N
Unmating force of a plug-in connection	Unlocked: approx. 15 ... 20 N
Retention force of a plug-in connection	Locked: > 80 N
Protection type	IP20
Note on protection type	Only when mated and secured with a strain relief housing (These compact connectors are not designed for use in open, easily accessible areas.)

### Environmental Requirements

Processing temperature	-5 ... +40 °C
Continuous operating temperature	-35 ... +85 °C
Note on continuous operating temperature	Insulating parts for temperatures ≤ 105 °C

All WINSTA® components are 100% protected against mismatching when:

- plugging different numbers of poles
- plugging while rotated 180
- plugging while laterally staggered
- plugging one pole

See technical section for further information

For approvals and corresponding ratings, visit [www.wago.com](http://www.wago.com)

# Snap-in Device Connector ▶ WINSTA® KNX ▶ 893 Series

## Pole No.: 2

Female connector/socket

Male connector/plug



893-2002

893-2012

Coding:E

Color	Coding	Marking	Item No.	PU
● green	E	1+ 2-	893-2002	50

Coding:E

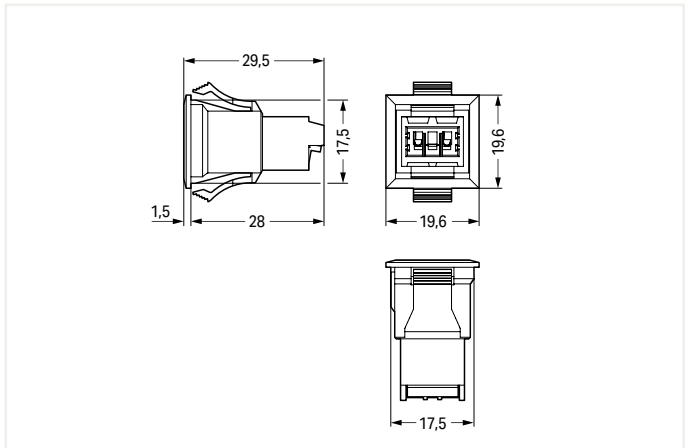
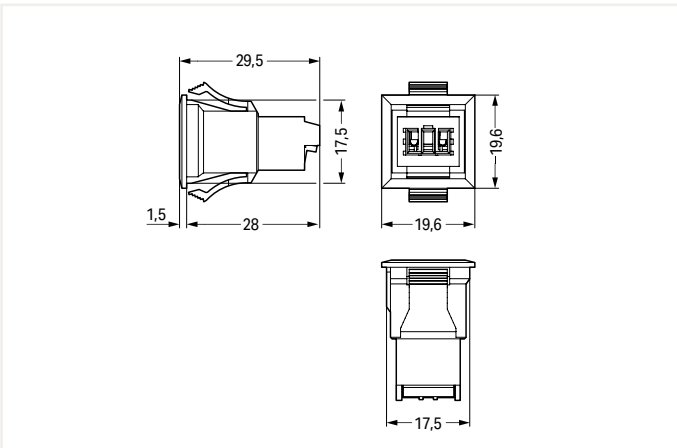
Color	Coding	Marking	Item No.	PU
● green	E	1+ 2-	893-2012	50

Coding:F

Color	Coding	Marking	Item No.	PU
○ light gray	F	1+ 2-	893-2022	50

Coding:F

Color	Coding	Marking	Item No.	PU
○ light gray	F	1+ 2-	893-2032	50



PU = Packaging Unit; SPU = Subpackaging Unit; Dimensions in mm

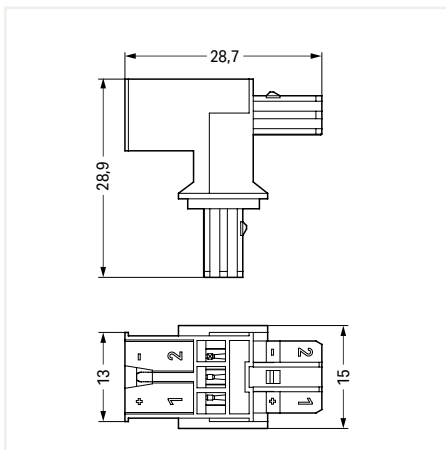


**Distribution Connector ▶ WINSTA® KNX ▶ 893 Series**

Pole No.: 2 ▶ T-distribution connector ▶ Number of locking levers: 2



- For low voltages up to 50 V
- Compact size, standardized interface
- Available in two different custom coding options with protection against mismatching

**Electrical Data**

Coding	E;F		
Ratings per	IEC/EN 60664-1		
Overvoltage category	III	III	II
Pollution degree	3	2	2
Rated voltage	50 V	-	-
Rated impulse voltage	0.8 kV	-	-
Rated current	3 A	-	-

**Material Data**

Insulation material	Polyamide (PA66)
Contact material	Copper alloy (surface-treated)

**Mechanical Data**

Number of mating cycles	200
Mating force of a plug-in connection	Approx. 10 ... 15 N
Unmating force of a plug-in connection	Unlocked: approx. 15 ... 20 N
Retention force of a plug-in connection	When locked: > 80 N
Protection type	IP20
Note on protection type	Only when mated and secured with a strain relief housing (These compact connectors are not designed for use in open, easily accessible areas.)

**Environmental Requirements**

Processing temperature	-5 ... +40 °C
Continuous operating temperature	-35 ... +85 °C
Note on continuous operating temperature	Insulating parts for temperatures ≤ 105 °C

All WINSTA® components are 100% protected against mismatching when:

- plugging different numbers of poles
- plugging while rotated 180
- plugging while laterally staggered
- plugging one pole

See technical section for further information

For approvals and corresponding ratings, visit [www.wago.com](http://www.wago.com)

**Distribution Connector ▶ WINSTA® KNX ▶ 893 Series**

Pole No.: 2 ▶ T-distribution connector ▶ Number of locking levers: 2



893-1606

Color	Coding	Marking	Item No.	PU
● green	E	1+ 2-	893-1606	25



893-1656

Color	Coding	Marking	Item No.	PU
○ light gray	F	1+ 2-	893-1656	25

## Cable Assembly ▶ WINSTA® KNX ▶ 894 Series

Pole No.: 2 ▶ Marking: 1+ 2-



- For low voltages up to 50 V
- Compact size, standardized interface
- Available in two different custom coding options with protection against mismatching

Electrical Data			
Coding	E;F		
Ratings per	IEC/EN 60664-1		
Overvoltage category	III	III	II
Pollution degree	3	2	2
Rated voltage	50 V	-	-
Rated impulse voltage	0.8 kV	-	-
Rated current	3 A	-	-

Connection Data	
Conductor diameter	0.8 mm

Material Data	
Insulation material	Polyamide (PA66)
Contact material	Copper alloy (surface-treated)

Mechanical Data	
Number of mating cycles	200
Mating force of a plug-in connection	Approx. 10 ... 15 N
Unmating force of a plug-in connection	Unlocked: approx. 15 ... 20 N
Retention force of a plug-in connection	when locked: > 80N
Protection type	IP20
Note on protection type	Only when mated and secured with a strain relief housing (These compact connectors are not designed for use in open, easily accessible areas.)

Environmental Requirements	
Processing temperature	-5 ... +40 °C
Continuous operating temperature	-35 ... +85 °C
Note on continuous operating temperature	PVC cable for temperatures ≤ 70 °C (including halogen-free) Insulating parts for temperatures ≤ 105 °C

All WINSTA® components are 100% protected against mismatching when:

- a.) plugging different numbers of poles
- b.) plugging while rotated 180
- c.) plugging while laterally staggered
- d.) plugging one pole

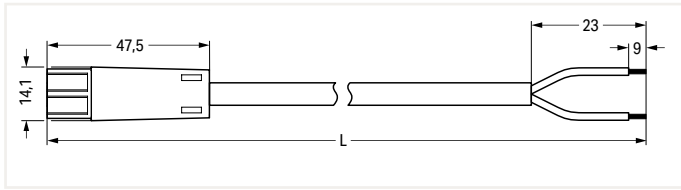
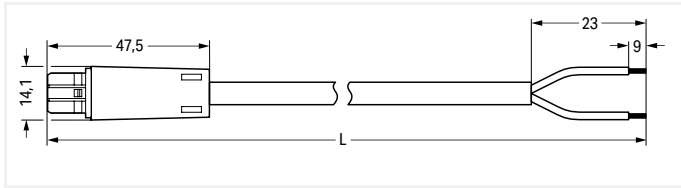
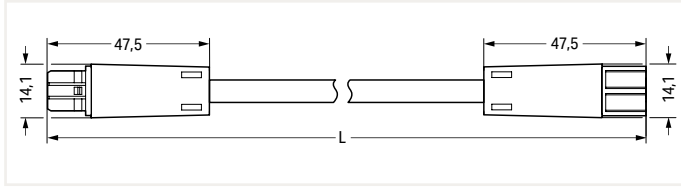
Cables with a different fire class can be found in the eShop.

See technical section for further information

For approvals and corresponding ratings, visit [www.wago.com](http://www.wago.com)

**Cable Assembly ▶ WINSTA® KNX ▶ 894 Series**

Pole No.: 2 ▶ Marking: 1+ 2- ▶ Coding: E ▶ PVC ▶ UNITRONIC BUS EIB 2x2x0.8 ▶ Fire class per EN 50575: E<sub>ca</sub>



**Interconnecting cable ▶ Connection type Socket - Plug**

Total length	Connector color/Strain relief color			PU
	green/black			
1 m	894-8992/033-106			1
3 m	894-8992/033-306			1
5 m	894-8992/033-506			1

**Connecting cable ▶ Connection type Socket - Free end**

Total length	Connector color/Strain relief color			PU
	green/black			
1 m	894-8992/133-106			1
3 m	894-8992/133-306			1
5 m	894-8992/133-506			1

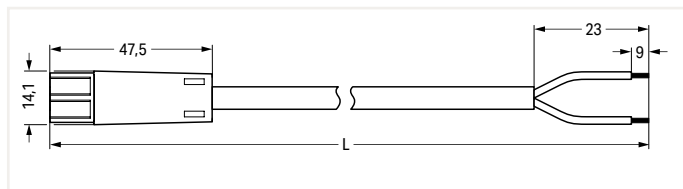
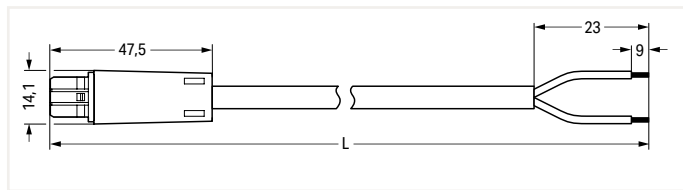
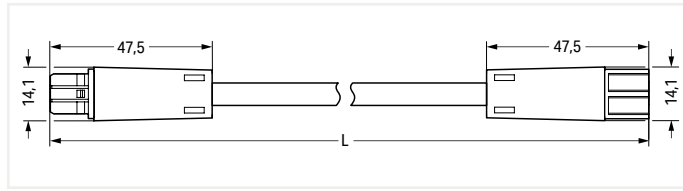
**Connecting cable ▶ Connection type Plug - Free end**

Total length	Connector color/Strain relief color			PU
	green/black			
1 m	894-8992/233-106			1
3 m	894-8992/233-306			1
5 m	894-8992/233-506			1

PU = Packaging Unit; SPU = Subpackaging Unit; Dimensions in mm

### Cable Assembly ▶ WINSTA® KNX ▶ 894 Series

Pole No.: 2 ▶ Marking: 1+ 2- ▶ Coding: E ▶ Halogen-free ▶ Y-H(St)Hh 1x2x0.8 ▶ Fire class per EN 50575: C<sub>ca</sub>



#### Interconnecting cable ▶ Connection type Socket - Plug

Total length	Connector color/Strain relief color		PU
	green/black		
1 m	894-8392/073-106		1
3 m	894-8392/073-306		1
5 m	894-8392/073-506		1

#### Connecting cable ▶ Connection type Socket - Free end

Total length	Connector color/Strain relief color		PU
	green/black		
1 m	894-8392/173-106		1
3 m	894-8392/173-306		1
5 m	894-8392/173-506		1

#### Connecting cable ▶ Connection type Plug - Free end

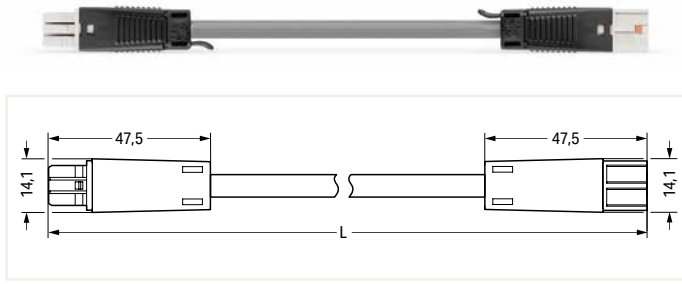
Total length	Connector color/Strain relief color		PU
	green/black		
1 m	894-8392/273-106		1
3 m	894-8392/273-306		1
5 m	894-8392/273-506		1

5

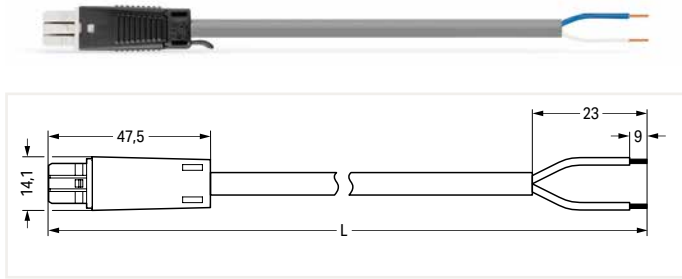
PU = Packaging Unit; SPU = Subpackaging Unit; Dimensions in mm

### Cable Assembly ▶ WINSTA® KNX ▶ 894 Series

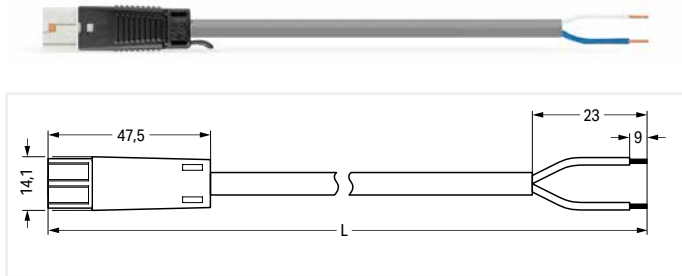
Pole No.: 2 ▶ Marking: 1+ 2- ▶ Coding: F ▶ Halogen-free ▶ J-Y(ST)Y...LG 1x2x0.8 ▶ Fire class per EN 50575: D<sub>ca</sub>



Interconnecting cable ▶ Connection type Socket - Plug				
Total length	Connector color/Strain relief color			PU
	light gray/black			
1 m	894-8992/023-107			1
3 m	894-8992/023-307			1
5 m	894-8992/023-507			1



Connecting cable ▶ Connection type Socket - Free end				
Total length	Connector color/Strain relief color			PU
	light gray/black			
1 m	894-8992/123-107			1
3 m	894-8992/123-307			1
5 m	894-8992/123-507			1



Connecting cable ▶ Connection type Plug - Free end				
Total length	Connector color/Strain relief color			PU
	light gray/black			
1 m	894-8992/223-107			1
3 m	894-8992/223-307			1
5 m	894-8992/223-507			1

PU = Packaging Unit; SPU = Subpackaging Unit; Dimensions in mm



# WAGO Pluggable Connection System

## WINSTA® IDC

### Important note:

The *WINSTA*® IDC system consists of the flat cables and the appropriate *WINSTA*® connection components that are described in this catalog and marked with "Woertz."

WAGO warrants the fault-free function of the *WINSTA*® IDC system only where original components are utilized.

### Notice:




Only use identically coded supply and tap-off modules on the same cable!

- A- and P-coding (N ⊕ L1 L2 L3) are designed for a 400 V three-phase current cable configuration.
- I-coding (N ⊕ L DA- DA+) is designed for up to 230 V and dimming cable configurations.
- B-coding (N ⊕ L1 L2 L3) is designed for custom cable configurations.

Only modules with the same pole marking shall be used within an application.

## WAGO Pluggable Connection System WINSTA® IDC ▶ 772, 893, 895, 896 Series for Flat Cables up to 16 mm<sup>2</sup>

- Note:
- Installation connectors are designed for connection and disconnection while not under load.
  - There is no hazard-inducing interchangeability with systems based on IEC 60309, IEC 60320, IEC 60906 and with national connector and socket systems.
  - Installation connector systems are not a substitute for residential connector/socket systems.
  - WINSTA® IDC Connectors are not intended for installation in open or easily accessible areas.

	Page	
	<b>IDC Modules for Flat Cables</b> 5 x 2.5 mm <sup>2</sup> / 5 x 4 mm <sup>2</sup> / 5 x 2.5 mm <sup>2</sup> + 2 x 1.5 mm <sup>2</sup> ; 772 Series Supply Modules <span style="float: right;">321</span> Tap-Off Modules, WINSTA® Connectors <span style="float: right;">321</span>	
		<b>IDC Modules for Flat Cables</b> 5 x 2.5 mm <sup>2</sup> + 2 x 1.5 mm <sup>2</sup> ; 893 Series Supply Modules (KNX and Special Coding) <span style="float: right;">325</span> Tap-Off Modules (KNX and Special Coding) <span style="float: right;">326</span>
		<b>IDC Modules for Flat Cables</b> 2 x 1.5 mm <sup>2</sup> ; 893 Series Supply Modules (KNX and Special Coding) <span style="float: right;">329</span> Tap-Off Modules (KNX and Special Coding) <span style="float: right;">330</span>
	<b>IDC Modules for Flat Cables</b> 3 x 2.5 mm <sup>2</sup> ; 896 Series Supply Modules <span style="float: right;">333</span> Tap-Off Modules <span style="float: right;">334</span>	
		<b>POWERBLOCK 10 for Flat Cable</b> 5 x 10 mm <sup>2</sup> ; 895 Series Supply Modules <span style="float: right;">337</span> Tap-Off Modules <span style="float: right;">338</span>
		<b>POWERBLOCK 16 for Flat Cable</b> 5 x 16 mm <sup>2</sup> ; 895 Series Supply Modules <span style="float: right;">341</span> Tap-Off Modules <span style="float: right;">342</span>



## WINSTA® IDC ▶ 772 Series Installation



Insert flat cable into base (observe coding!).



Mount IDC module flush with the base.  
Should the IDC module jam during mounting, turn the upper part by 180° and remount it.



Screw down contact elements until element stops.



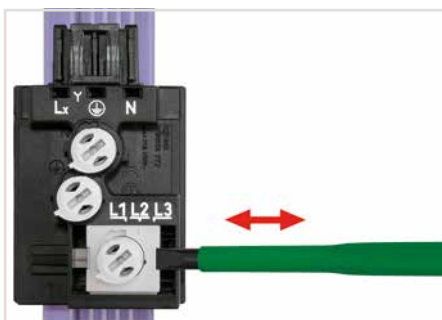
The mounting plate can be centrally mounted, or attached via outboard attachment points using 770-601 Mounting Pins.



Snapping a supply or tap-off module onto a mounting plate.



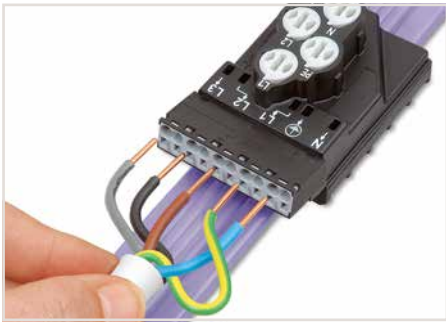
The phase selector is in position L2 (center) when delivered.



Move the phase selector into position L1 or L3 if required.



After connecting the flat cable, the IDC module is locked and can no longer be moved, even after unscrewing the contact element.



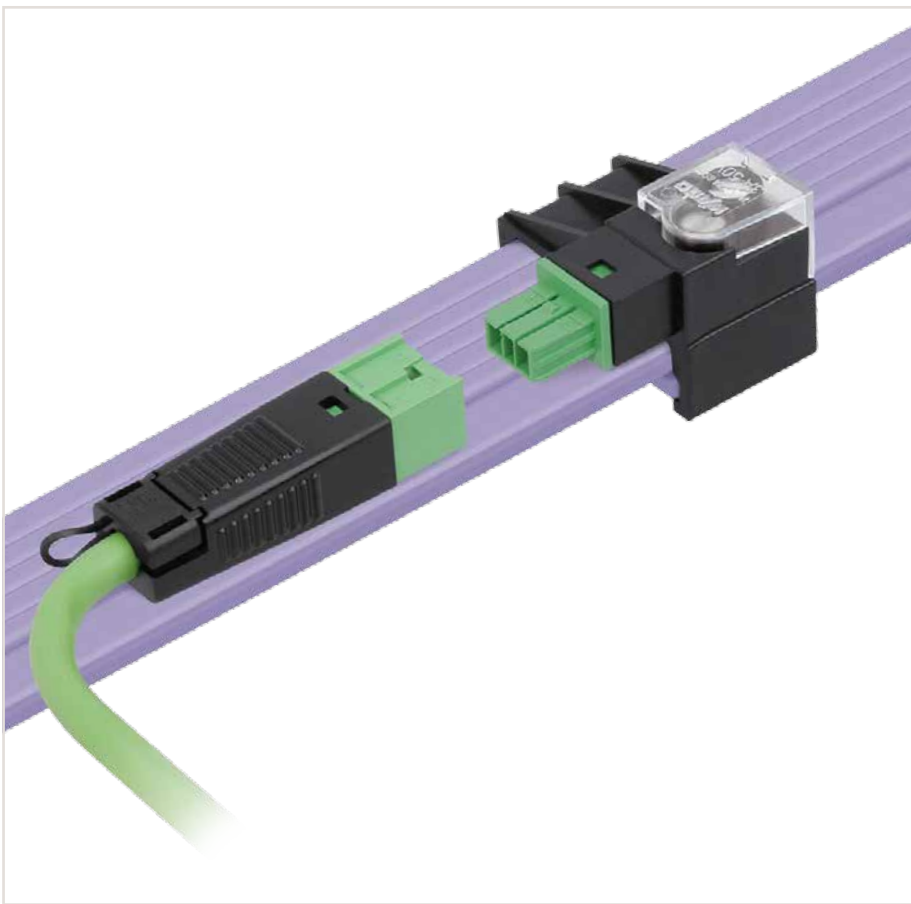
Connecting an installation cable to the supply module: Simply push stripped, solid conductors into unit. Open clamp via screwdriver to insert stripped, fine-stranded conductors.



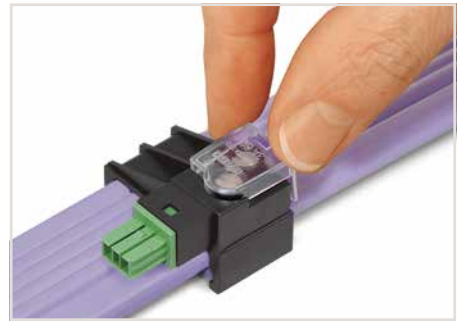
Secure supply cable via strain relief housing.



Tighten strain relief screw using a screwdriver.



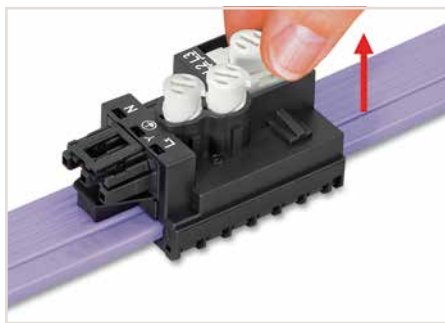
Tighten the screws to connect the flat cable. Observe 1 Nm of tightening torque!



Snap the transparent protective cover onto the module.



Notice: Should it be necessary to tap another phase, this must be done in a different location. To do so, the contact elements must be unscrewed and brought back to their original position.



Lift contact element to unlock phase selector and select the new phase. Notice: Do not reuse in the same location of the flat cable.



Use insulating tape to seal the contact holes in the flat cable after removing a module.

6

## Supply/Tap-Off Module ► WINSTA® IDC ► 772 Series

for flat cable 5 x 2.5 mm<sup>2</sup>, 5 x 4 mm<sup>2</sup>, 5 x 2.5 mm<sup>2</sup> + 2 x 1.5 mm<sup>2</sup>



- Set: Supply module and strain relief housing 770-505
- Suitable for bus and power lines or for bus and power combined in one cable
- Easy installation without line interruption due to convenient insulation displacement technology (IDC)
- WINSTA® IDC Supply and Tap-Off Modules allow connection at any location of the flat cable – one rotation per pole is all that is required

### Electrical Data

Ratings per	IEC/EN 60664-1		
Overvoltage category	III	III	II
Pollution degree	3	2	2
Rated voltage	400 V	-	-
Rated impulse voltage	6 kV	-	-
Rated current	25 A	-	-

### Material Data

Insulation material	Polyamide (PA66)
Contact material	Copper or copper alloy (surface-treated)

### Mechanical Data

Retention force of a plug-in connection	When locked: > 80 N
Protection type	IP20
Note on protection type	When mated: IP2xC (These compact connectors are not designed for use in open, easily accessible areas!)

### Environmental Requirements

Processing temperature	-5 ... +40 °C
Continuous operating temperature	-35 ... +85 °C
Note on continuous operating temperature	PVC cable for temperatures ≤ 70 °C (including halogen-free) PVC flat cable for temperatures -15 °C to ≤ 70 °C (including halogen-free) Insulating parts for temperatures ≤ 105 °C

All WINSTA® components are 100% protected against mismatching when:

- plugging different numbers of poles
- plugging while rotated 180
- plugging while laterally staggered
- plugging one pole

Cables and pluggable connectors Page 398

Tool Page 400

See technical section for further information

For approvals and corresponding ratings, visit [www.wago.com](http://www.wago.com)

# Supply/Tap-Off Module ▶ WINSTA® IDC ▶ 772 Series

for flat cable 5 x 2.5 mm<sup>2</sup>, 5 x 4 mm<sup>2</sup>, 5 x 2.5 mm<sup>2</sup> + 2 x 1.5 mm<sup>2</sup>

Supply module ▶ Pole No.: 5

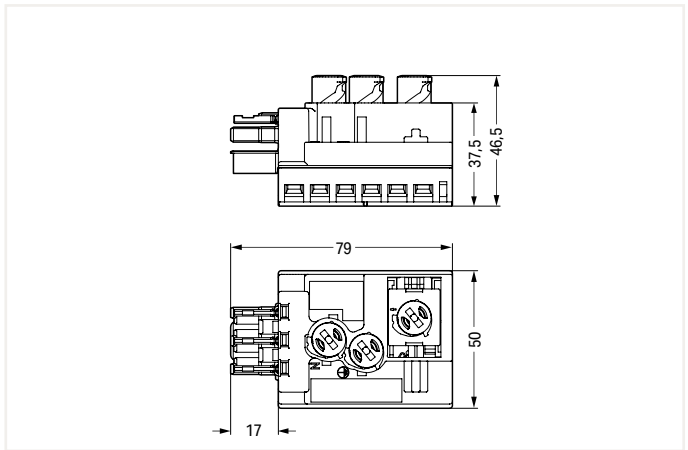
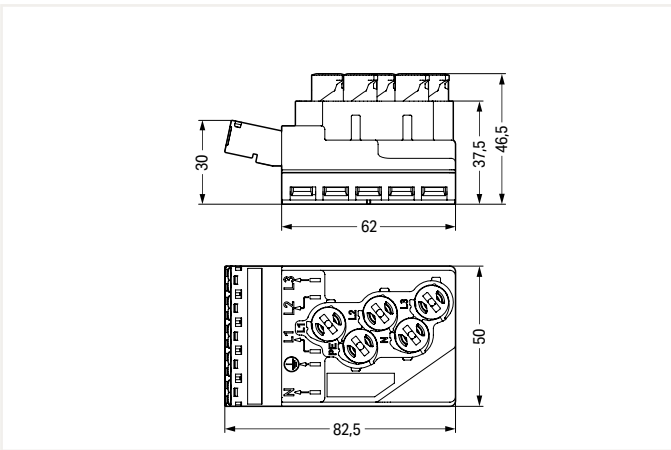
Tap-off module ▶ Pole No.: 3



772-263

Color	Item No.	PU
● black	772-261	10
● blue	772-271	10
● red	772-267	10
● gray	772-264/060-000	10

Color	Item No.	PU
● black	772-263	10
● red	772-269	10
● gray	772-266/060-000	10



### Item-Specific Accessories



Lockout cap; for socket; separable; Pole No.: 12

Color	Item No.	PU
● black	770-201	100
○ white	770-221	100

### Accessories; for all products on this page



Mounting plate;

Color	Item No.	PU
● black	772-260	10

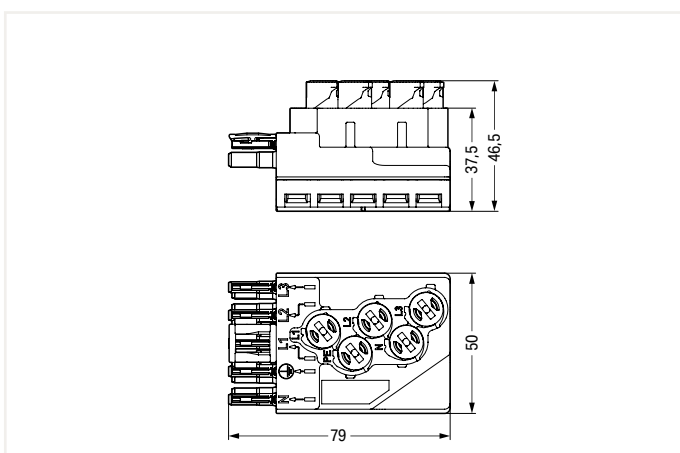
PU = Packaging Unit; SPU = Subpackaging Unit; Dimensions in mm

## Supply/Tap-Off Module ▶ WINSTA® IDC ▶ 772 Series for flat cable 5 x 2.5 mm<sup>2</sup>, 5 x 4 mm<sup>2</sup>, 5 x 2.5 mm<sup>2</sup> + 2 x 1.5 mm<sup>2</sup>

Tap-off module ▶ Pole No.: 5



Color	Item No.	PU
● black	772-262	10
● blue	772-272	10
● red	772-268	10
● gray	772-265/060-000	10



6

### Accessories; for all products on this page



Lockout cap; for socket; separable; Pole No.: 12

Color	Item No.	PU
● black	770-201	100
○ white	770-221	100

Mounting plate;

Color	Item No.	PU
● black	772-260	10

PU = Packaging Unit; SPU = Subpackaging Unit; Dimensions in mm

6

## Supply/Tap-Off Module ▶ WINSTA® IDC ▶ 893 Series for flat cable 5 x 2.5 mm<sup>2</sup> + 2 x 1.5 mm<sup>2</sup> ▶ Pole No.: 2



- Suitable for bus and power lines or for bus and power combined in one cable
- Easy installation without line interruption due to convenient insulation displacement technology (IDC)
- WINSTA® IDC Supply and Tap-Off Modules allow connection at any point along the flat cable – one rotation per pole is all that is required.

### Electrical Data

Ratings per	IEC/EN 60664-1		
Overvoltage category	III	III	II
Pollution degree	3	2	2
Rated voltage	50 V	-	-
Rated impulse voltage	0.8 kV	-	-
Rated current	3 A	-	-

### Material Data

Insulation material	Polyamide (PA66)
Contact material	Copper or copper alloy (surface-treated)
Fire class per EN 50575	E <sub>ca</sub>

### Mechanical Data

Number of mating cycles	200
Retention force of a plug-in connection	When locked: > 80 N
Protection type	IP20
Note on protection type	When mated: IP2xC (These compact connectors are not designed for use in open, easily accessible areas!)

### Environmental Requirements

Processing temperature	-5 ... +40 °C
Continuous operating temperature	-35 ... +85 °C
Note on continuous operating temperature	PVC cable for temperatures ≤ 70 °C (including halogen-free) PVC flat cable for temperatures -15 °C to ≤ 70 °C (including halogen-free) Insulating parts for temperatures ≤ 105 °C

All WINSTA® components are 100% protected against mismatching when:

- a.) plugging different numbers of poles
- b.) plugging while rotated 180
- c.) plugging while laterally staggered
- d.) plugging one pole

Cables and pluggable connectors Page 399

See technical section for further information

For approvals and corresponding ratings, visit [www.wago.com](http://www.wago.com)



# Supply/Tap-Off Module ▶ WINSTA® IDC ▶ 893 Series for flat cable 5 x 2.5 mm<sup>2</sup> + 2 x 1.5 mm<sup>2</sup> ▶ Pole No.: 2

Supply module



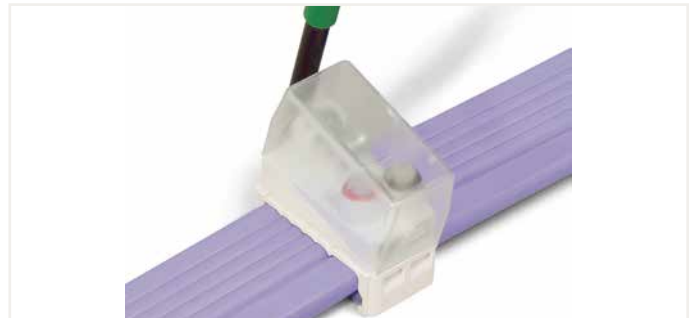
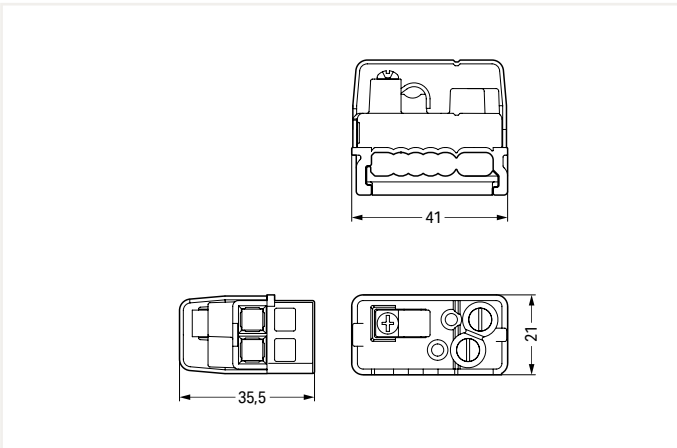
893-261



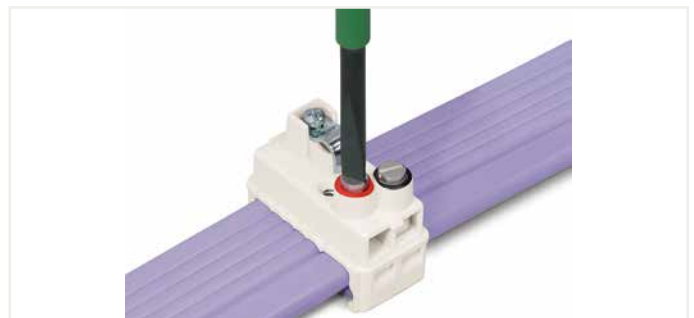
The IDC module can only be mounted if the two codings match each other.

Color	Item No.	PU
● gray	893-261	50

Should the IDC module jam during mounting, turn the module by 180° and remount it, flush with the base.

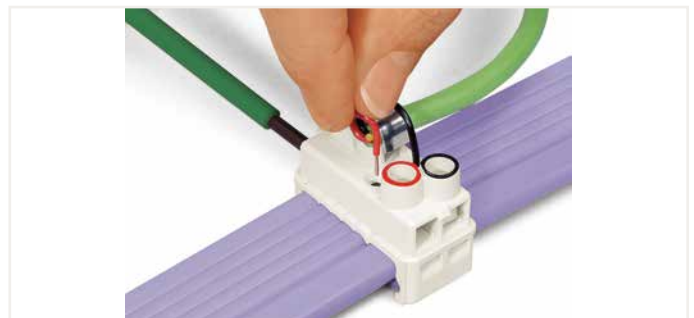


Remove transparent cover using a screwdriver.



Tighten the screws that are marked in red and black to connect the flat cable.

Observe 1 Nm of tightening torque!



Secure bus cable via strain relief and terminate stripped conductors as shown in the picture.

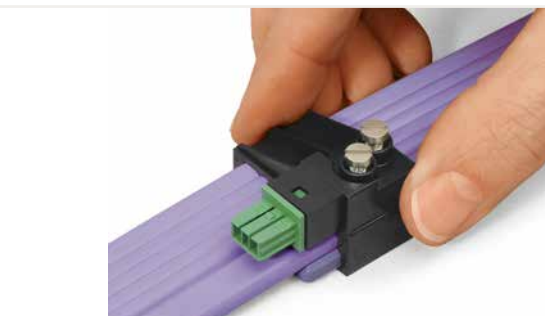


## Supply/Tap-Off Module ▶ WINSTA® IDC ▶ 893 Series for flat cable 5 x 2.5 mm<sup>2</sup> + 2 x 1.5 mm<sup>2</sup> ▶ Pole No.: 2

Tap-off module



893-262



The IDC module can only be mounted if the two codings match each other.

Should the IDC module jam during mounting, turn the module by 180° and remount it, flush with the base.

Color	Item No.	PU
● green	893-262	50
○ light gray	893-269	50

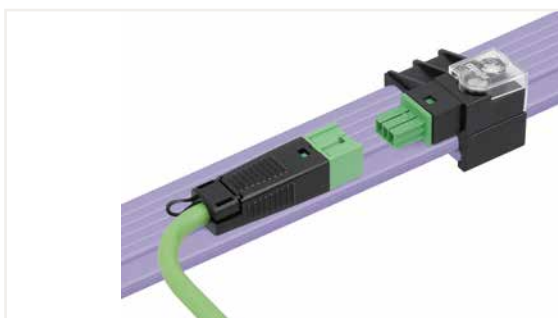


Tighten the screws to connect the flat cable.

Observe 1 Nm of tightening torque!



Snap the transparent protective cover onto the module.



Connect the cable assembly to the module.



## Supply/Tap-Off Module ▶ WINSTA® IDC ▶ 893 Series for flat cable 2 x 1.5 mm<sup>2</sup> ▶ Pole No.: 2



- Suitable for bus and power lines or for bus and power combined in one cable
- Easy installation without line interruption due to convenient insulation displacement technology (IDC)
- WINSTA® IDC Supply and Tap-Off Modules allow connection at any point along the flat cable – one rotation per pole is all that is required.

### Electrical Data

Ratings per	IEC/EN 60664-1		
Overvoltage category	III	III	II
Pollution degree	3	2	2
Rated voltage	50 V	-	-
Rated impulse voltage	0.8 kV	-	-
Rated current	3 A	-	-

### Connection Data

Connection technology	IDC
-----------------------	-----

### Material Data

Insulation material	Polyamide (PA66)
Contact material	Copper or copper alloy (surface-treated)
Fire class per EN 50575	E <sub>ca</sub>

### Mechanical Data

Number of mating cycles	200
Retention force of a plug-in connection	When locked: > 80 N
Protection type	IP20
Note on protection type	When mated: IP2xC (These compact connectors are not designed for use in open, easily accessible areas!)

### Environmental Requirements

Processing temperature	-5 ... +40 °C
Continuous operating temperature	-35 ... +85 °C
Note on continuous operating temperature	PVC cable for temperatures ≤ 70 °C (including halogen-free) PVC flat cable for temperatures -15 °C to ≤ 70 °C (including halogen-free) Insulating parts for temperatures ≤ 105 °C

All WINSTA® components are 100% protected against mismatching when:

- plugging different numbers of poles
- plugging while rotated 180
- plugging while laterally staggered
- plugging one pole

Cables and pluggable connectors Page 397

See technical section for further information

For approvals and corresponding ratings, visit [www.wago.com](http://www.wago.com)

# Supply/Tap-Off Module ▶ WINSTA® IDC ▶ 893 Series for flat cable 2 x 1.5 mm<sup>2</sup> ▶ Pole No.: 2

Supply module



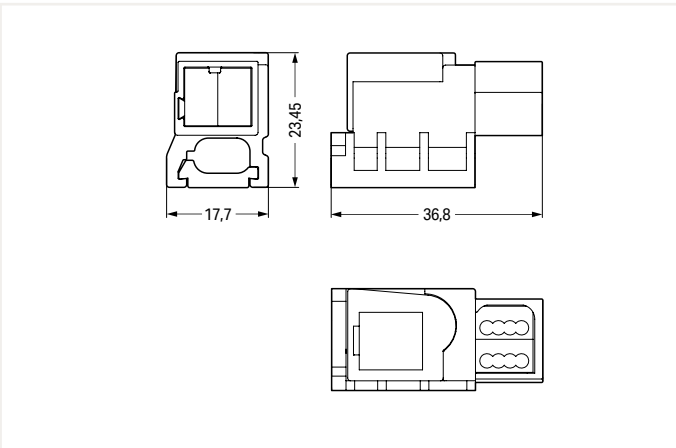
893-121



The IDC module can only be mounted if the two codings match each other.

Color	Item No.	PU
● black	893-121	25

Should the IDC module jam during mounting, turn the module by 180° and remount it, flush with the base.



Tighten the screws to connect the flat cable.

Observe 1 Nm of tightening torque!



Snap the transparent protective cover onto the module.



Terminate stripped, solid conductors by simply pushing them into unit until they hit backstop.

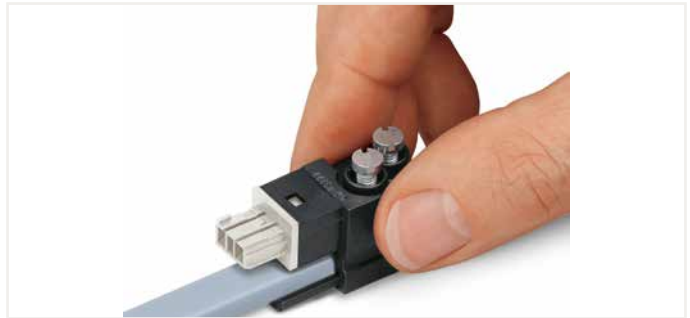
6

## Supply/Tap-Off Module ▶ WINSTA® IDC ▶ 893 Series for flat cable 2 x 1.5 mm<sup>2</sup> ▶ Pole No.: 2

Tap-off module



893-129



The IDC module can only be mounted if the two codings match each other.

Should the IDC module jam during mounting, turn the module by 180° and remount it, flush with the base.

Color	Item No.	PU
○ light gray	893-129	50
● green	893-122	50

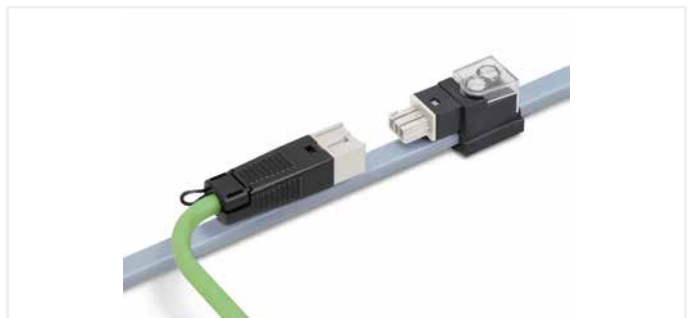


Tighten the screws to connect the flat cable.

Observe 1 Nm of tightening torque!



Snap the transparent protective cover onto the module.



Connect the cable assembly to the module.

6

## Supply/Tap-Off Module ► WINSTA® IDC ► 896 Series for flat cable 3 x 2.5 mm<sup>2</sup>



- Suitable for bus and power lines or for bus and power combined in one cable
- Easy installation without line interruption due to convenient insulation displacement technology (IDC)
- WINSTA® IDC Supply and Tap-Off Modules allow connection at any point along the flat cable – one rotation per pole is all that is required.

### Electrical Data

Ratings per	IEC/EN 60664-1		
Overvoltage category	III	III	II
Pollution degree	3	2	2
Rated voltage	250 V	-	-
Rated impulse voltage	4 kV	-	-
Rated current	24 A	-	-

### Material Data

Insulation material	Polyamide (PA66)
Contact material	Copper or copper alloy (surface-treated)

### Mechanical Data

Protection type	IP20
-----------------	------

### Environmental Requirements

Processing temperature	-5 ... +40 °C
Continuous operating temperature	-35 ... +85 °C

All WINSTA® components are 100% protected against mismatching when:

- a.) plugging different numbers of poles
- b.) plugging while rotated 180
- c.) plugging while laterally staggered
- d.) plugging one pole

Cables and pluggable connectors Page 398

See technical section for further information

For approvals and corresponding ratings, visit [www.wago.com](http://www.wago.com)

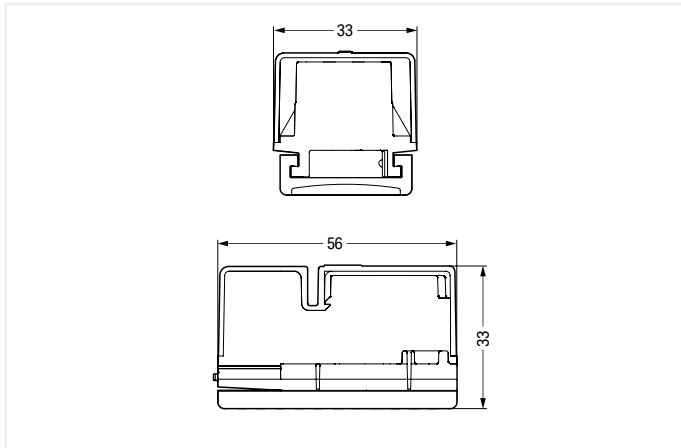
# Supply/Tap-Off Module ▶ WINSTA® IDC ▶ 896 Series for flat cable 3 x 2.5 mm<sup>2</sup>

Supply module ▶ Pole No.: 3



896-231

Color	Item No.	PU
● gray	896-231	10





# Supply/Tap-Off Module ▶ WINSTA® IDC ▶ 896 Series for flat cable 3 x 2.5 mm<sup>2</sup>

Tap-off module ▶ Pole No.: 3

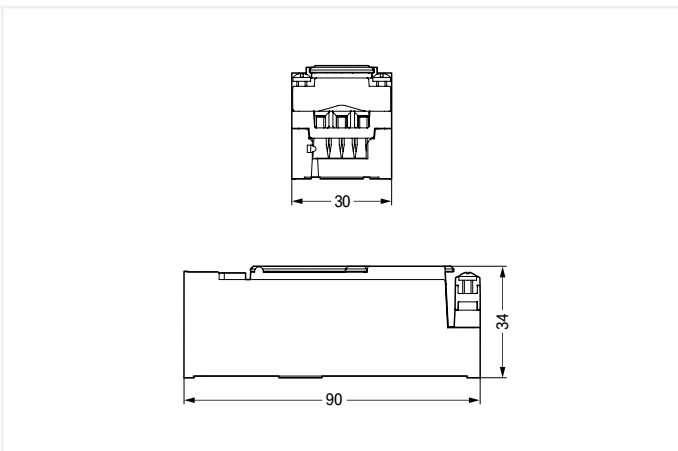


896-232



Position the base and tighten screw, if necessary. Insert flat cable accurately. The key in the base must match the groove in the cable insulation.

Color	Item No.	PU
● gray	896-232	10



Cut outgoing feeder cable, completely strip and insert conductors. Tighten screws firmly (observe 0.7 Nm of tightening torque).



Insert upper part into base until it hits the stop (which will click when engaged). Push down and lock lever. All three cores are contacted simultaneously.

6

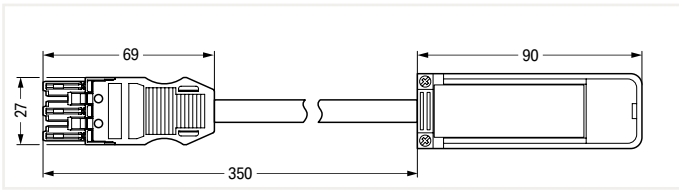
## Supply/Tap-Off Module ▶ WINSTA® IDC ▶ 896 Series for flat cable 3 x 2.5 mm<sup>2</sup>

Cable assembly



896-233

Color	Item No.	PU
● black	896-233	1
○ white	896-234	1



## Supply/Tap-Off Module ► WINSTA® IDC ► 895 Series for flat cable 5 x 10 mm<sup>2</sup> ► Pole No.: 5



- Suitable for bus and power lines or for bus and power combined in one cable
- Easy installation without line interruption due to convenient insulation displacement technology (IDC)
- WINSTA® IDC Supply and Tap-Off Modules allow connection at any point along the flat cable – one rotation per pole is all that is required.

### Electrical Data

Main product function	Supply module			Tap-off module		
Ratings per	IEC/EN 60664-1					
Overvoltage category	III	III	II	III	III	II
Pollution degree	3	2	2	3	2	2
Rated voltage	750 V	-	-	690 V	-	-
Rated impulse voltage	8 kV	-	-	8 kV	-	-
Rated current	57 A	-	-	32 A	-	-

### Material Data

Insulation material	Polyamide (PA66)
Contact material	Copper or copper alloy (surface-treated)

### Mechanical Data

Retention force of a plug-in connection	When locked: > 80 N
Protection type	IP20
Note on protection type	When mated: IP2xC (These compact connectors are not designed for use in open, easily accessible areas!)

### Environmental Requirements

Processing temperature	-5 ... +40 °C
Continuous operating temperature	-35 ... +85 °C
Note on continuous operating temperature	PVC cable for temperatures ≤ 70 °C (including halogen-free) PVC flat cable for temperatures -15 °C to ≤ 70 °C (including halogen-free) Insulating parts for temperatures ≤ 105 °C

All WINSTA® components are 100% protected against mismatching when:

- a.) plugging different numbers of poles
- b.) plugging while rotated 180
- c.) plugging while laterally staggered
- d.) plugging one pole

Cables and pluggable connectors Page 399

See technical section for further information

For approvals and corresponding ratings, visit [www.wago.com](http://www.wago.com)

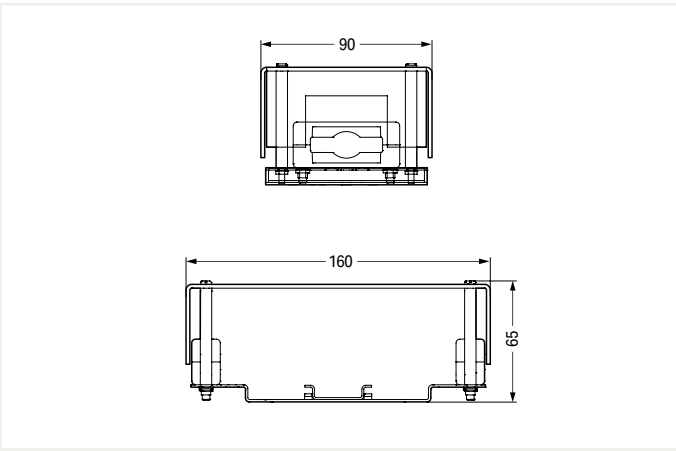
# Supply/Tap-Off Module ▶ WINSTA® IDC ▶ 895 Series for flat cable 5 x 10 mm<sup>2</sup> ▶ Pole No.: 5

Supply module



895-1051

Color	Item No.	PU
○ transparent	895-1051	1



Cut both sides of the flat cable insulation using a stripping knife (observe 30 mm of cutting length).



Cut off the flat cable insulation via cable cutter.



Push end cover fully onto the conductor ends.

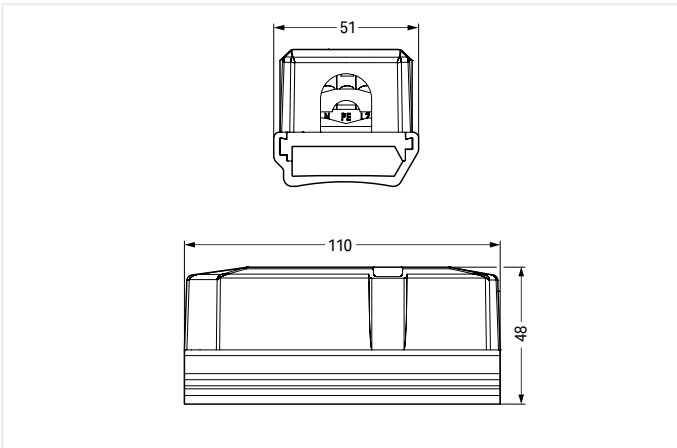
# Supply/Tap-Off Module ▶ WINSTA® IDC ▶ 895 Series for flat cable 5 x 10 mm<sup>2</sup> ▶ Pole No.: 5

Tap-off module



895-1052

Color	Item No.	PU
<input type="radio"/> transparent	895-1052	25



6



## Supply/Tap-Off Module ▶ WINSTA® IDC ▶ 895 Series for flat cable 5 x 16 mm<sup>2</sup> ▶ Pole No.: 5



- Suitable for bus and power lines or for bus and power combined in one cable
- Easy installation without line interruption due to convenient insulation displacement technology (IDC)
- WINSTA® IDC Supply and Tap-Off Modules allow connection at any point along the flat cable – one rotation per pole is all that is required.

Electrical Data						
Main product function	Supply module			Tap-off module		
Ratings per	IEC/EN 60664-1					
Overvoltage category	III	III	II	III	III	II
Pollution degree	3	2	2	3	2	2
Rated voltage	690 V	-	-	690 V	-	-
Rated impulse voltage	8 kV	-	-	8 kV	-	-
Rated current	76 A	-	-	41 A	-	-

Connection Data	
Connection technology	Screw-type connection
Connection technology 2	IDC

Material Data	
Insulation material	Polyamide (PA66)
Contact material	Copper or copper alloy (surface-treated)

Mechanical Data	
Retention force of a plug-in connection	When locked: > 80 N
Protection type	IP20
Note on protection type	IP65 with screw-type connection/blind plug

Environmental Requirements	
Processing temperature	-5 ... +40 °C
Continuous operating temperature	-35 ... +85 °C
Note on continuous operating temperature	PVC cable for temperatures ≤ 70 °C (including halogen-free) PVC flat cable for temperatures -15 °C to ≤ 70 °C (including halogen-free) Insulating parts for temperatures ≤ 105 °C

All WINSTA® components are 100% protected against mismatching when:

- plugging different numbers of poles
- plugging while rotated 180
- plugging while laterally staggered
- plugging one pole

Cables and pluggable connectors Page 399

See technical section for further information

For approvals and corresponding ratings, visit [www.wago.com](http://www.wago.com)

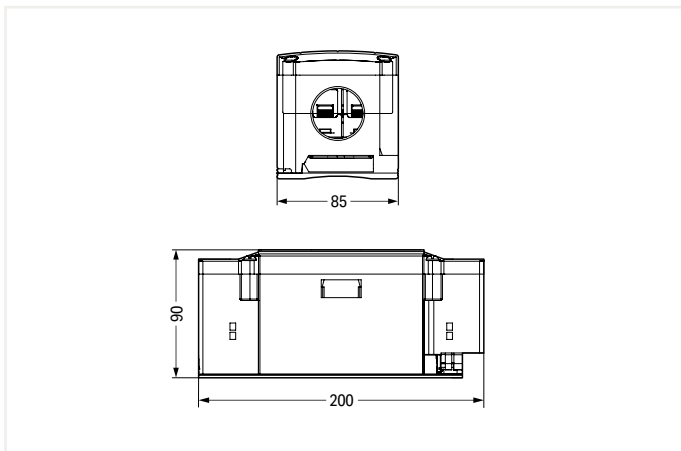
# Supply/Tap-Off Module ▶ WINSTA® IDC ▶ 895 Series for flat cable 5 x 16 mm<sup>2</sup> ▶ Pole No.: 5

Supply module



895-1651

Color	Item No.	PU
● black	895-1651	1





# Supply/Tap-Off Module ▶ WINSTA® IDC ▶ 895 Series for flat cable 5 x 16 mm<sup>2</sup> ▶ Pole No.: 5

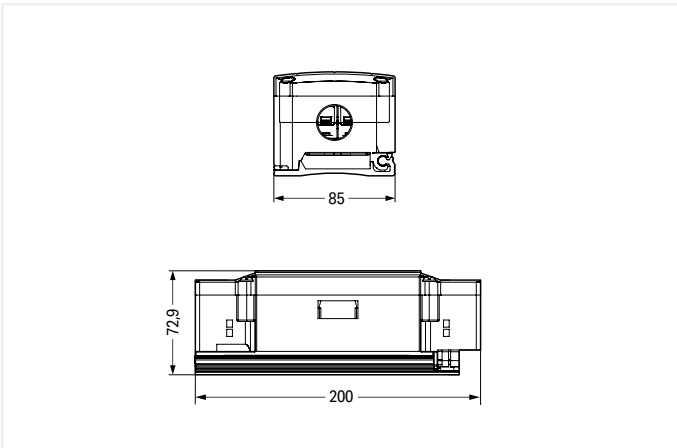
Tap-off module



895-1652

Tighten the screws to the stop to connect the flat cable (observe the tightening torque!)

Color	Item No.	PU
● black	895-1652	1



Red contact clips confirm that the contacts are made correctly when they are flush with the terminals.



6

6



# WAGO Pluggable Connection System WINSTA® Boxes

## WAGO Pluggable Connection System WINSTA® Boxes ▶ 899 Series

	Page	
	<b>899 Series</b>	
	Single-Phase Current (230 V)	347
	Three-Phase Current (400 V)	352
	Three-Phase to Single-Phase Current (400 V/230 V)	352
	Supply Cable Entry	356
	DALI	359
	SMI	362
	Motion and Presence Detectors	363
	On/Off Switching	364
	Series Switching	365
	Changeover Switching	366
	Crossover Switching	367
	Cable and Device Protection	367
	Latching Relay	368
	Relay Switching	369
	Distribution Box for Self-Assembly	370

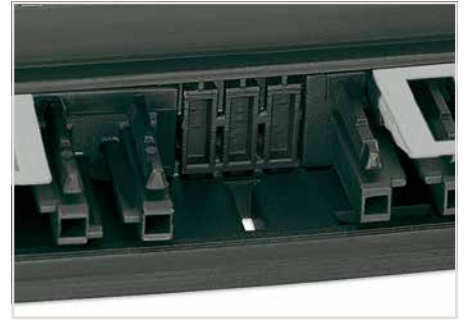
## WINSTA® Boxes ▶ 899 Series System Description and Installation



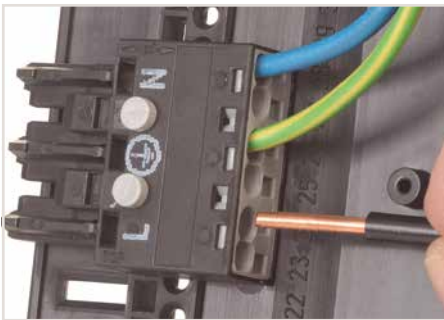
The set includes: 1 bottom, 1 lid, 2 sidewalls and 16 mounting pins.



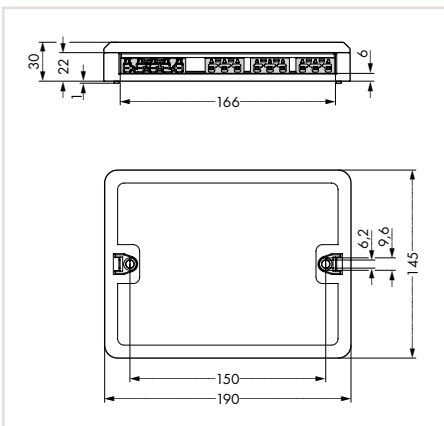
Remove unrequired areas from the sidewalls.



Unassigned slots and spaces are closed by inserting a sidewall.



Using mounting pins to secure WINSTA® MIDI connectors in a distribution box.



Dimensions of a WINSTA® Box



Securing the mounting plate with WINSTA® Box to the wall (e.g., via stud gun).



Using adapters to install WINSTA® MINI connectors in a distribution box.



Custom-made WINSTA® Box

7

## WINSTA® Boxes ▶ 899 Series

### Single-Phase Current (230 V)

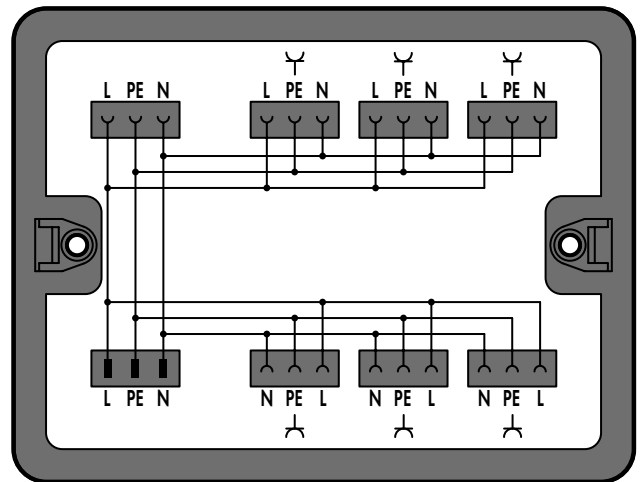
1 Input; 7 Outputs; A-Coding; WINSTA® MIDI

#### Description

This WINSTA® Box duplicates the outputs of a 3-pole, single-phase cable.

#### Technical Data

Rated voltage (III / 3)	250 V
Rated impulse voltage (III / 3)	4 kV
Rated current	25 A
Internal wiring	4 mm <sup>2</sup>



Distribution box; single-phase current (230 V)

Color	Item No.	Pack. Unit
● black	899-631/104-000	1

## Single-Phase Current (230 V)

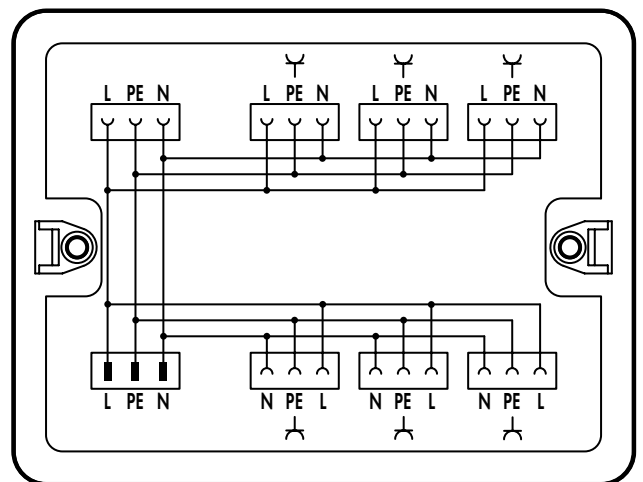
### 1 Input; 7 Outputs; A-Coding; WINSTA® MIDI

#### Description

This WINSTA® Box duplicates the outputs of a 3-pole, single-phase cable.

#### Technical Data

Rated voltage (III / 3)	250 V
Rated impulse voltage (III / 3)	4 kV
Rated current	25 A
Internal wiring	4 mm <sup>2</sup>



Distribution box; single-phase current (230 V)

Color	Item No.	Pack. Unit
○ white	899-681/104-000	1

(III / 3) ≙ Overvoltage category III / Pollution degree 3

Accessories, 899 Series Page 359

Coding Overview Page 372

Approvals, see www.wago.com

## WINSTA® Boxes ▶ 899 Series

### Single-Phase Current (230 V)

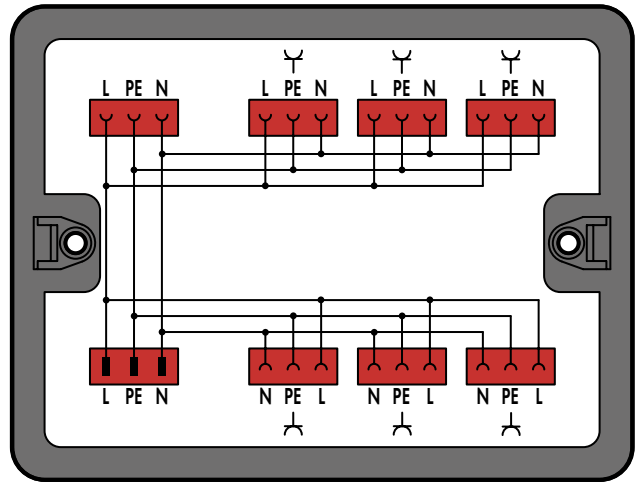
1 Input; 7 Outputs; P-Coding; WINSTA® MIDI

#### Description

This WINSTA® Box duplicates the outputs of a 3-pole, single-phase cable.

#### Technical Data

Rated voltage (III / 3)	250 V
Rated impulse voltage (III / 3)	4 kV
Rated current	25 A
Internal wiring	4 mm <sup>2</sup>



Distribution box; single-phase current (230 V)

Color	Item No.	Pack. Unit
● black	899-631/330-000	1

## Single-Phase Current (230 V)

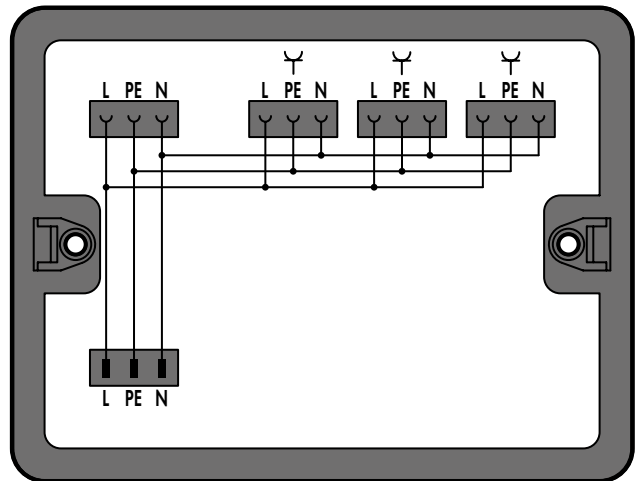
1 Input; 4 Outputs; A-Coding; WINSTA® MIDI

#### Description

This WINSTA® Box duplicates the outputs of a 3-pole, single-phase cable.

#### Technical Data

Rated voltage (III / 3)	250 V
Rated impulse voltage (III / 3)	4 kV
Rated current	20 A
Internal wiring	2.5 mm <sup>2</sup> (halogen-free)



Distribution box; single-phase current (230 V)

Color	Item No.	Pack. Unit
● black	899-631/476-000	1

(III / 3) ≙ Overvoltage category III / Pollution degree 3

Accessories, 899 Series Page 359

Coding Overview Page 372

Approvals, see www.wago.com

## WINSTA® Boxes ▶ 899 Series

### Single-Phase Current (230 V)

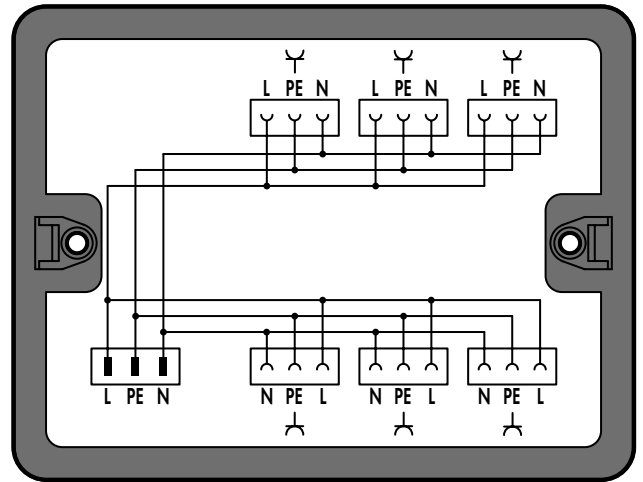
1 Input; 6 Outputs; A-Coding; WINSTA® MIDI

#### Description

This WINSTA® Box duplicates the outputs of a 3-pole, single-phase cable.

#### Technical Data

Rated voltage (III / 3)	250 V
Rated impulse voltage (III / 3)	4 kV
Rated current	25 A
Internal wiring	4 mm <sup>2</sup>



Distribution box; single-phase current (230 V)

Color	Item No.	Pack. Unit
● black	899-631/395-000	1

## Single-Phase Current (230 V)

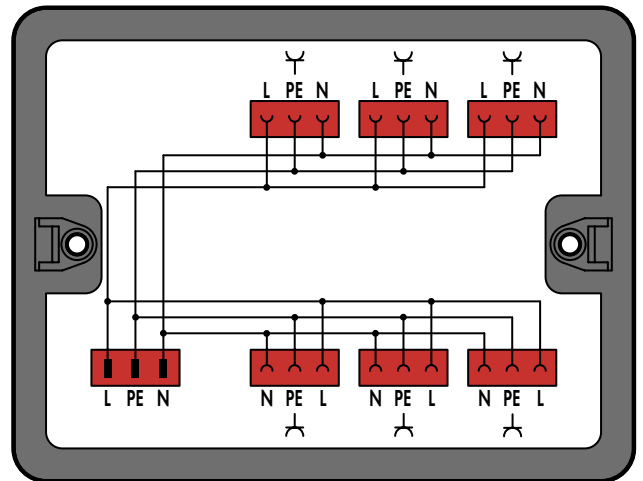
1 Input; 6 Outputs; P-Coding; WINSTA® MIDI

#### Description

This WINSTA® Box duplicates the outputs of a 3-pole, single-phase cable.

#### Technical Data

Rated voltage (III / 3)	250 V
Rated impulse voltage (III / 3)	4 kV
Rated current	25 A
Internal wiring	4 mm <sup>2</sup>



Distribution box; single-phase current (230 V)

Color	Item No.	Pack. Unit
● black	899-631/331-000	1



## WINSTA® Boxes ▶ 899 Series

### Single-Phase Current (230 V)

#### 1 Input; 13 Outputs; A-Coding; WINSTA® MIDI

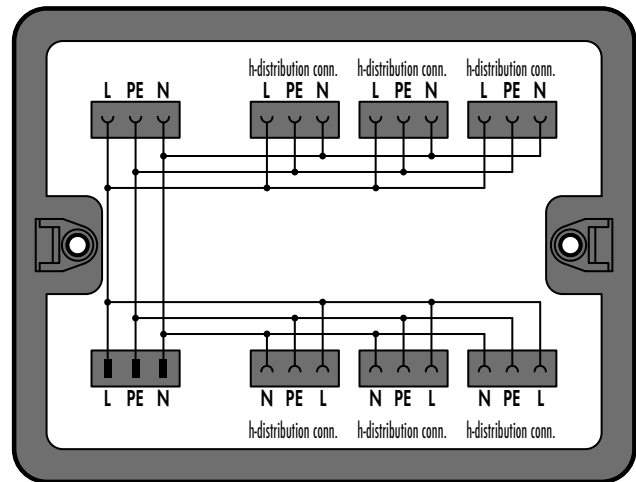
#### Description

This WINSTA® Box duplicates the outputs of a 3-pole, single-phase cable.

Includes: Six h-distribution connectors (770-634)

#### Technical Data

Rated voltage (III / 3)	250 V
Rated impulse voltage (III / 3)	4 kV
Rated current	25 A
Internal wiring	4 mm <sup>2</sup>



Distribution box; single-phase current (230 V)

Color	Item No.	Pack. Unit
● black	899-631/334-000	1

## Single-Phase Current (230 V)

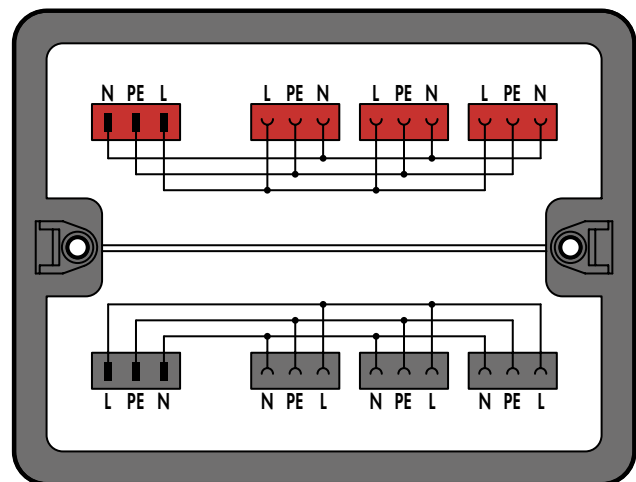
### 2 Inputs; 6 Outputs; A-, P-Coding; WINSTA® MIDI

#### Description

This WINSTA® Box features two different 3-pole, single-phase circuits (e.g., for general power, EDP outlets, and UPS systems). Both networks are provided with differently encoded connectors. Three-pole connecting cables are provided for both power input and output.

#### Technical Data

Rated voltage (III / 3)	250 V
Rated impulse voltage (III / 3)	4 kV
Rated current	25 A
Internal wiring	4 mm <sup>2</sup>



Distribution box; single-phase current (230 V)

Color	Item No.	Pack. Unit
● black	899-631/311-000	1

(III / 3) ≙ Overvoltage category III /  
Pollution degree 3

Accessories, 899 Series Page 359

Coding Overview Page 372

Approvals, see [www.wago.com](http://www.wago.com)

## WINSTA® Boxes ▶ 899 Series

### Single-Phase Current (230 V)

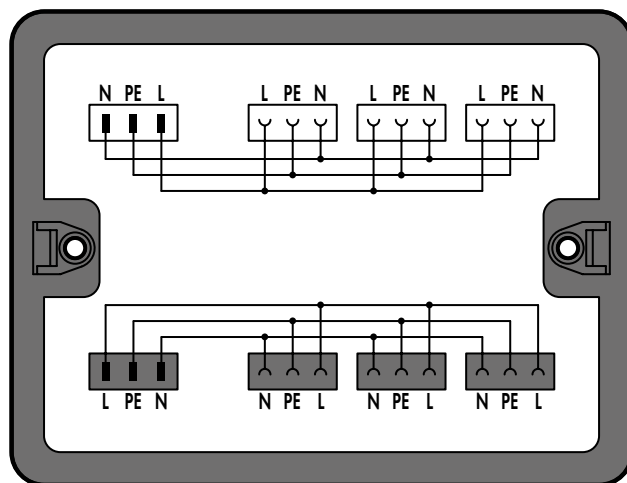
2 Inputs; 6 Outputs; A-Coding; WINSTA® MIDI

#### Description

This WINSTA® Box features two different 3-pole, single-phase circuits (e.g., for general power, EDP outlets, and UPS systems). Both networks are provided with differently encoded connectors. Three-pole connecting cables are provided for both power input and output.

#### Technical Data

Rated voltage (III / 3)	250 V
Rated impulse voltage (III / 3)	4 kV
Rated current	25 A
Internal wiring	4 mm <sup>2</sup>



Distribution box; single-phase current (230 V)

Color	Item No.	Pack. Unit
● black	899-631/327-000	1

## Single-Phase Current (230 V)

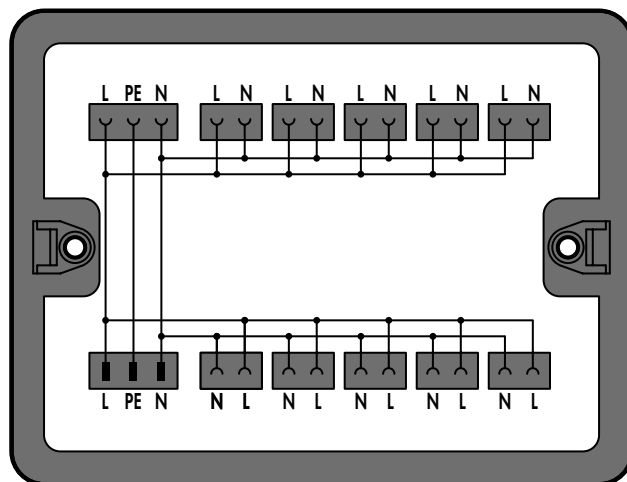
1 Input; 11 Outputs; A-Coding; WINSTA® MIDI

#### Description

This WINSTA® Box features a 3-pole transmission line and ten 2-pole outputs.

#### Technical Data

Rated voltage (III / 3)	250 V
Rated impulse voltage (III / 3)	4 kV
Rated current	16 A
Internal wiring	1.5 mm <sup>2</sup> (halogen-free)



Distribution box; single-phase current (230 V)

Color	Item No.	Pack. Unit
● black	899-631/477-000	1

7

## WINSTA® Boxes ▶ 899 Series

### Three-Phase Current (400 V)

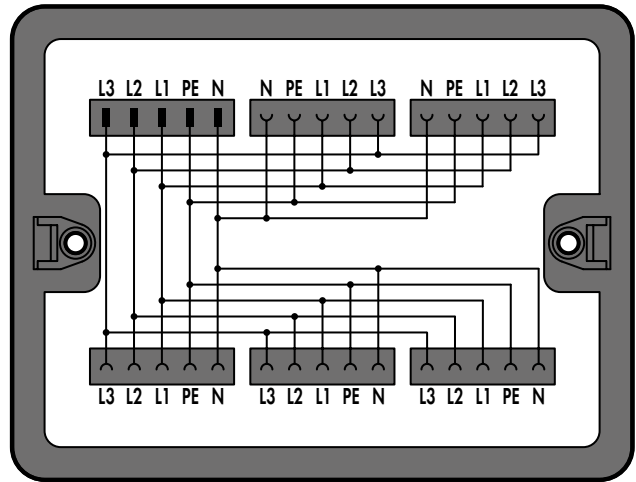
1 Input; 5 Outputs; A-Coding; WINSTA® MIDI

#### Description

This WINSTA® Box duplicates the outputs of a 5-pole, three-phase cable.

#### Technical Data

Rated voltage (III / 3)	400 V
Rated impulse voltage (III / 3)	6 kV
Rated current	25 A
Internal wiring	4 mm <sup>2</sup>



Distribution box; three-phase current (400 V)

Color	Item No.	Pack. Unit
● black	899-631/187-000	1

## Three-Phase to Single-Phase Current (400 V/230 V)

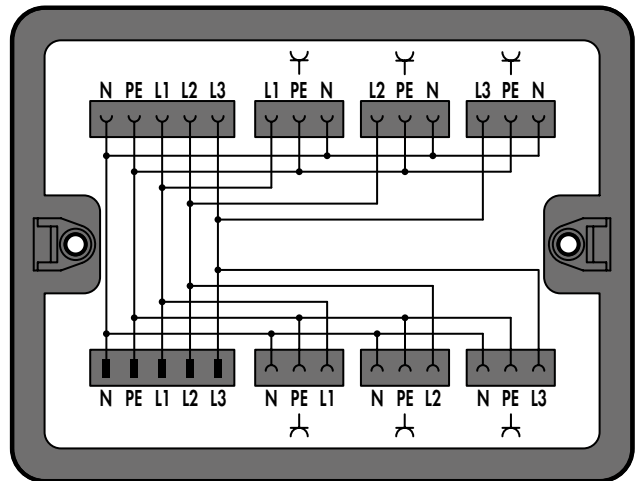
1 Input; 7 Outputs; A-Coding; WINSTA® MIDI

#### Description

The phases L<sub>1</sub>, L<sub>2</sub> and L<sub>3</sub> of the three-phase current are divided into three single-phase circuits with two outputs each.

#### Technical Data

Rated voltage (III / 3)	250 V / 400 V
Rated impulse voltage (III / 3)	4 kV / 6 kV
Rated current	25 A
Internal wiring	4 mm <sup>2</sup>



Distribution box; three-phase to single-phase current (400 V / 230 V)

Color	Item No.	Pack. Unit
● black	899-631/100-000	1

(III / 3) ≙ Overvoltage category III /  
Pollution degree 3

Accessories, 899 Series Page 359

Coding Overview Page 372

Approvals, see www.wago.com

## WINSTA® Boxes ▶ 899 Series

### Three-Phase to Single-Phase Current (400 V / 230 V)

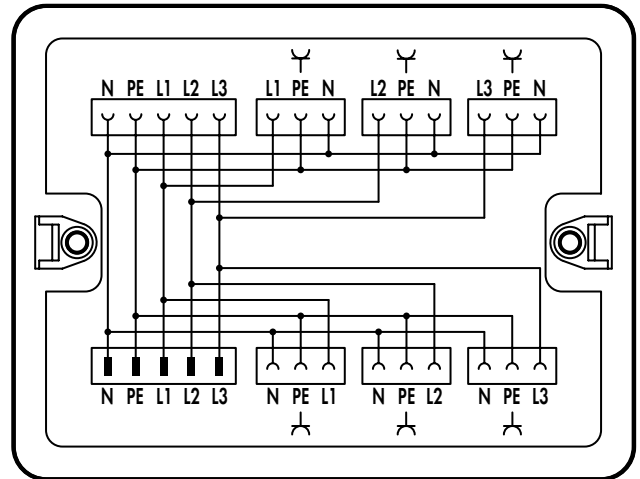
#### 1 Input; 7 Outputs; A-Coding; WINSTA® MIDI

#### Description

The phases L<sub>1</sub>, L<sub>2</sub> and L<sub>3</sub> of the three-phase current are divided into three single-phase circuits with two outputs each.

#### Technical Data

Rated voltage (III / 3)	250 V / 400 V
Rated impulse voltage (III / 3)	4 kV / 6 kV
Rated current	25 A
Internal wiring	4 mm <sup>2</sup>



Distribution box; three-phase to single-phase current (400 V / 230 V)

Color	Item No.	Pack. Unit
○ white	899-681/100-000	1

## Distribution; Three-Phase to Single-Phase Current (400 V / 230 V)

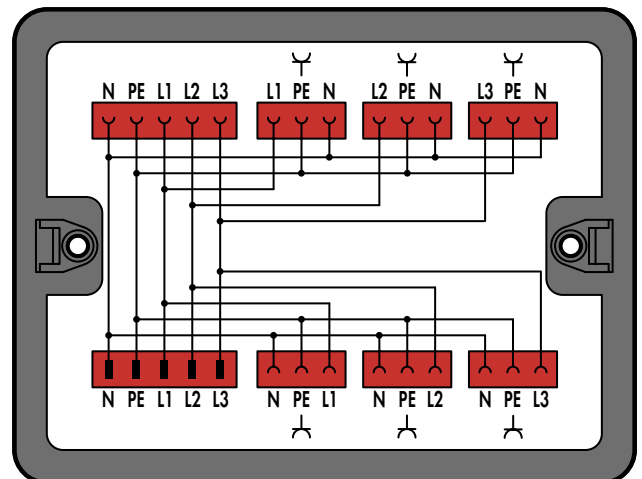
### 1 Input; 7 Outputs; P-Coding; WINSTA® MIDI

#### Description

The phases L<sub>1</sub>, L<sub>2</sub> and L<sub>3</sub> of the three-phase current are divided into three single-phase circuits with two outputs each.

#### Technical Data

Rated voltage (III / 3)	250 V / 400 V
Rated impulse voltage (III / 3)	4 kV / 6 kV
Rated current	25 A
Internal wiring	4 mm <sup>2</sup>



Distribution box; three-phase to single-phase current (400 V / 230 V)

Color	Item No.	Pack. Unit
● black	899-631/186-000	1

**WINSTA® Boxes ▶ 899 Series****Three-Phase to Single-Phase Current (400 V / 230 V)**

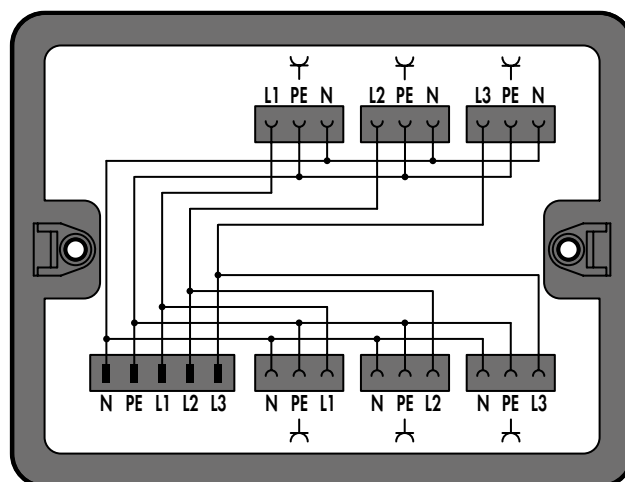
1 Input; 6 Outputs; A-Coding; WINSTA® MIDI

**Description**

The phases L<sub>1</sub>, L<sub>2</sub> and L<sub>3</sub> of the three-phase current are divided into three single-phase circuits with two outputs each.

**Technical Data**

Rated voltage (III / 3)	250 V / 400 V
Rated impulse voltage (III / 3)	4 kV / 6 kV
Rated current	25 A
Internal wiring	4 mm <sup>2</sup>



Distribution box; three-phase to single-phase current (400 V / 230 V)

Color	Item No.	Pack. Unit
● black	899-631/105-000	1

**Three-Phase to Single-Phase Current (400 V/230 V)**

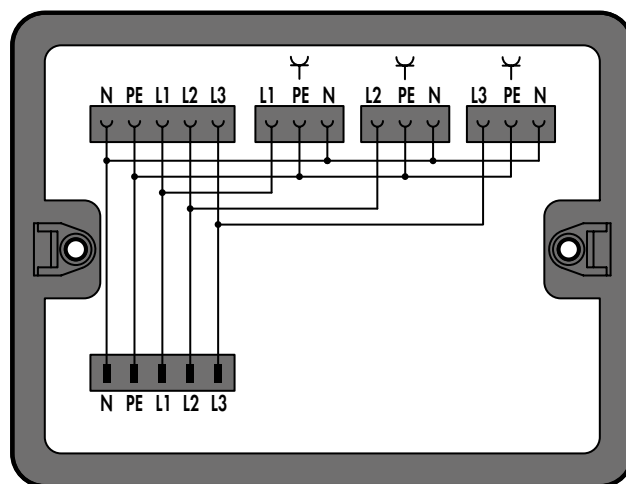
1 Input; 4 Outputs; A-Coding; WINSTA® MIDI

**Description**

The phases L<sub>1</sub>, L<sub>2</sub> and L<sub>3</sub> of the three-phase current are divided into three single-phase circuits with one output each.

**Technical Data**

Rated voltage (III / 3)	250 V / 400 V
Rated impulse voltage (III / 3)	4 kV / 6 kV
Rated current	25 A
Internal wiring	4 mm <sup>2</sup>



Distribution box; three-phase to single-phase current (400 V / 230 V)

Color	Item No.	Pack. Unit
● black	899-631/346-000	1

(III / 3) ≙ Overvoltage category III /  
Pollution degree 3

Accessories, 899 Series Page 359

Coding Overview Page 372

Approvals, see [www.wago.com](http://www.wago.com)

## WINSTA® Boxes ▶ 899 Series

### Three-Phase to Single-Phase Current (400 V / 230 V)

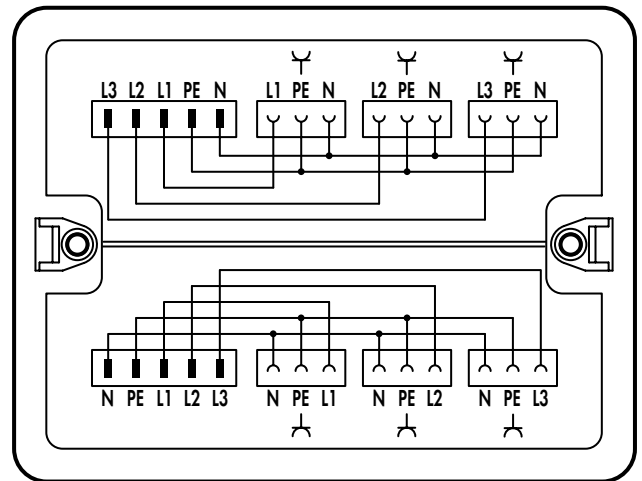
#### 2 Inputs; 6 Outputs; A-Coding; WINSTA® MIDI

#### Description

This WINSTA® Box divides two 3-phase circuits into three single-phase circuits each (e.g., 230 V and EDP outlets).

#### Technical Data

Rated voltage (III / 3)	250 V / 400 V
Rated impulse voltage (III / 3)	4 kV / 6 kV
Rated current	20 A
Internal wiring	2.5 mm <sup>2</sup> (halogen-free)



Distribution box; three-phase to single-phase current (400 V / 230 V)

Color	Item No.	Pack. Unit
○ white	899-681/144-000	1

## Three-Phase to Single-Phase Current (400 V/230 V)

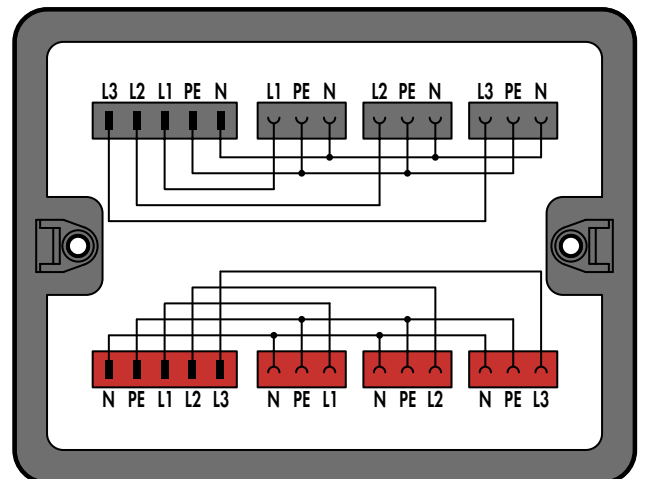
### 2 Inputs; 6 Outputs; A-, P-Coding; WINSTA® MIDI

#### Description

This WINSTA® Box divides two 3-phase circuits into three single-phase circuits each (e.g., 230 V and EDP outlets).

#### Technical Data

Rated voltage (III / 3)	250 V / 400 V
Rated impulse voltage (III / 3)	4 kV / 6 kV
Rated current	25 A
Internal wiring	4 mm <sup>2</sup>



Distribution box; three-phase to single-phase current (400 V / 230 V)

Color	Item No.	Pack. Unit
● black	899-631/302-000	1

## WINSTA® Boxes ▶ 899 Series

### Three-Phase to Single-Phase Current (400 V / 230 V)

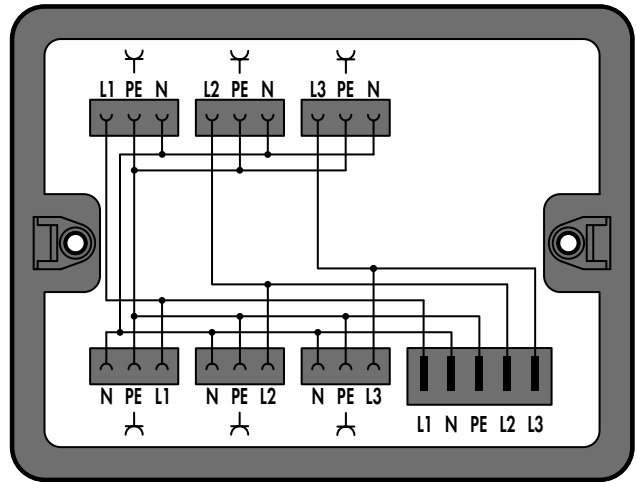
1 Input; 6 Outputs; A-Coding; WINSTA® MIDI; WINSTA® MAXI

#### Description

This WINSTA® Box divides a 3-phase circuit into three single-phase circuits with two outputs each. Power supply is performed via 6 mm<sup>2</sup> cable equipped with a WINSTA® MAXI connector.

#### Technical Data

Rated voltage (III / 3)	250 V / 400 V
Rated impulse voltage (III / 3)	4 kV / 6 kV
Rated current	25 A
Internal wiring	4 mm <sup>2</sup>



Distribution box; three-phase to single-phase current (400 V / 230 V)

Color	Item No.	Pack. Unit
● black	899-631/149-000	1

### Three-Phase to Single-Phase Current (400 V/230 V)

Supply Cable Entry; 1 Input; 6 Outputs; A-Coding; WINSTA® MIDI

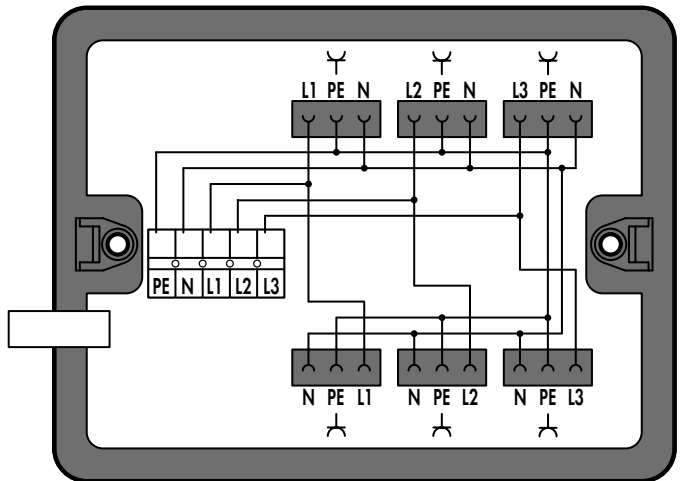
#### Description

Power supply is performed via standard 5-pole terminal strip. The phases L<sub>1</sub>, L<sub>2</sub> and L<sub>3</sub> of the three-phase current are divided into three single-phase circuits with two outputs each.

Includes: One cable clamp and two mounting screws

#### Technical Data

Rated voltage (III / 3)	250 V / 400 V
Rated impulse voltage (III / 3)	4 kV / 6 kV
Rated current	25 A
Internal wiring	4 mm <sup>2</sup>



Distribution box; three-phase to single-phase current (400 V / 230 V)

Color	Item No.	Pack. Unit
● black	899-631/338-000	1

(III / 3) ≙ Overvoltage category III / Pollution degree 3

Accessories, 899 Series Page 359

Coding Overview Page 372

Approvals, see www.wago.com

**WINSTA® Boxes ▶ 899 Series****Three-Phase to Single-Phase Current (400 V / 230 V)**

Supply Cable Entry; 1 Input; 6 Outputs; A-Coding; WINSTA® MIDI

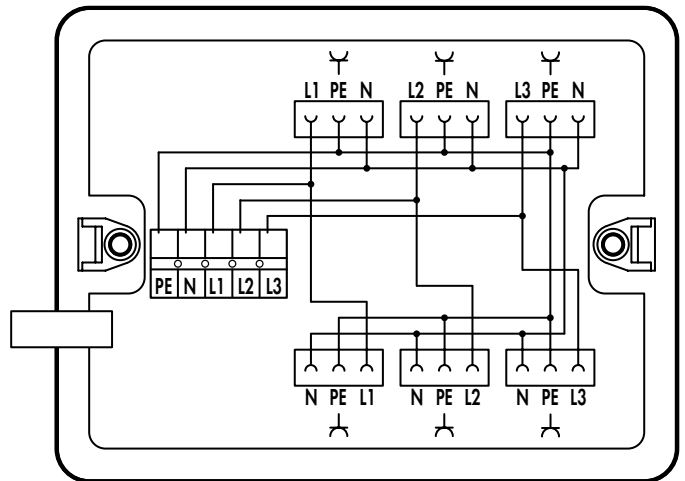
**Description**

Power supply is performed via standard 5-pole terminal strip.  
The phases L<sub>1</sub>, L<sub>2</sub> and L<sub>3</sub> of the three-phase current are divided into three single-phase circuits with two outputs each.

Includes: One cable clamp and two mounting screws

**Technical Data**

Rated voltage (III / 3)	250 V / 400 V
Rated impulse voltage (III / 3)	4 kV / 6 kV
Rated current	25 A
Internal wiring	4 mm <sup>2</sup>



Distribution box; three-phase to single-phase current (400 V / 230 V)

Color	Item No.	Pack. Unit
○ white	899-681/123-000	1

**Supply Cable Entry**

Supply Cable Entry; 1 Input; 6 Outputs; P-Coding; WINSTA® MIDI

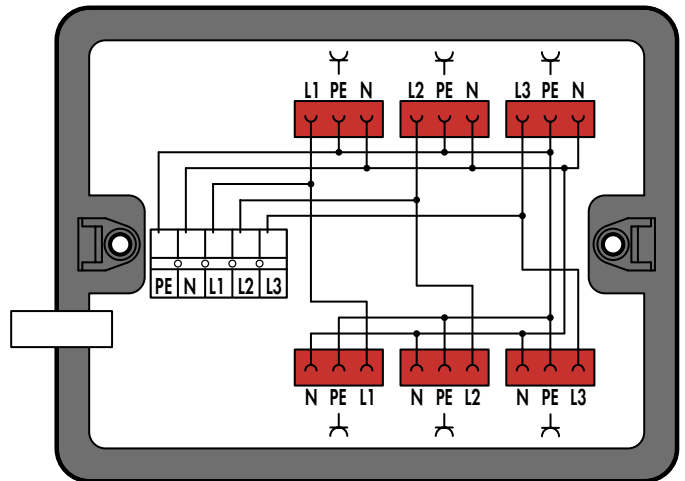
**Description**

Power supply is performed via standard 5-pole terminal strip.  
The phases L<sub>1</sub>, L<sub>2</sub> and L<sub>3</sub> of the three-phase current are divided into three single-phase circuits with two outputs each.

Includes: One cable clamp and two mounting screws

**Technical Data**

Rated voltage (III / 3)	250 V / 400 V
Rated impulse voltage (III / 3)	4 kV / 6 kV
Rated current	25 A
Internal wiring	4 mm <sup>2</sup>



Distribution box; three-phase to single-phase current (400 V / 230 V)

Color	Item No.	Pack. Unit
● black	899-631/339-000	1



## WINSTA® Boxes ▶ 899 Series

### Supply Cable Entry

#### 6 Outputs; A-Coding; WINSTA® MIDI

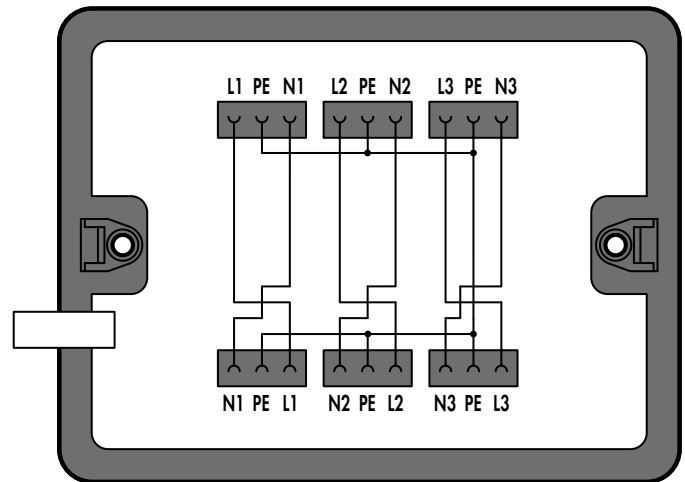
#### Description

Power supply is performed directly via connectors using a 7-pole cable.  
 Each phase of the 3-phase current are divided into two outputs.  
 Power supply is performed to the left or to the right.

Includes: Two cable clamps and four mounting screws

#### Technical Data

Rated voltage (III / 3)	250 V / 400 V
Rated impulse voltage (III / 3)	4 kV / 6 kV
Rated current	25 A
Internal wiring	4 mm <sup>2</sup>



Distribution box; supply cable entry		
Color	Item No.	Pack. Unit
● black	899-631/450-000	1

## Supply Cable Entry

### 4 Outputs; A-Coding; WINSTA® MIDI

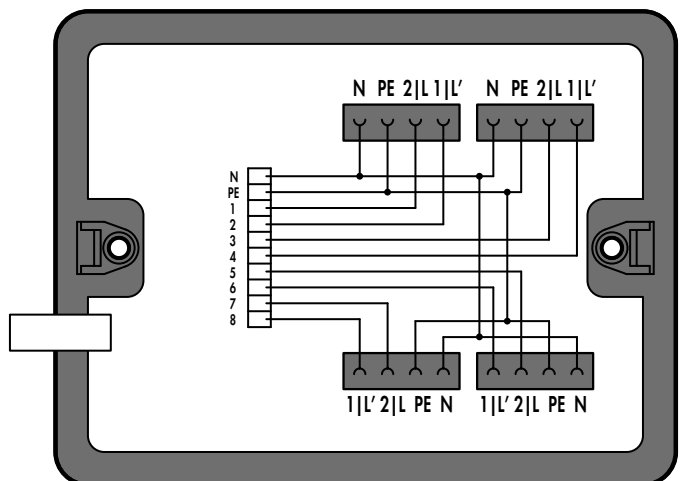
#### Description

Power supply is performed via 10-pole cable on a terminal strip.  
 Application example:  
 Blind drives control

Includes: One cable clamp and two mounting screws

#### Technical Data

Rated voltage (III / 3)	250 V / 400 V
Rated impulse voltage (III / 3)	4 kV / 6 kV
Rated current	16 A
Internal wiring	1.5 mm <sup>2</sup> (halogen-free)



Distribution box; supply cable entry		
Color	Item No.	Pack. Unit
● black	899-631/453-000	1

(III / 3) ≙ Overvoltage category III /  
 Pollution degree 3

Accessories, 899 Series Page 359

Coding Overview Page 372

Approvals, see [www.wago.com](http://www.wago.com)

## WINSTA® Boxes ▶ 899 Series

### Supply Cable Entry

#### 8 Outputs; B-Coding; WINSTA® MINI

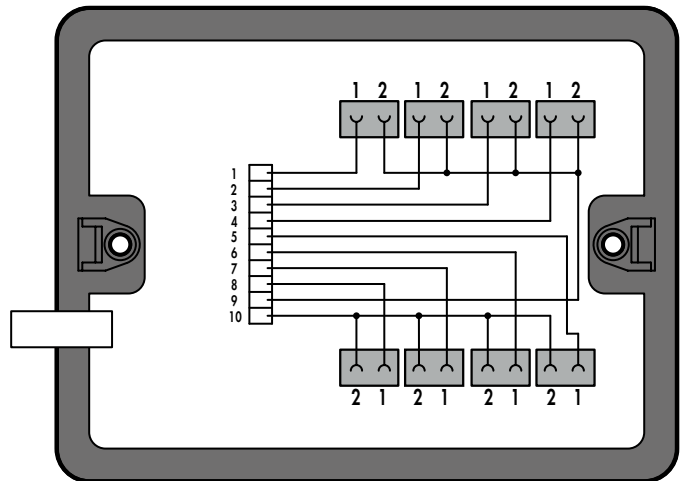
#### Description

Power supply is performed via 10-pole cable on a terminal strip.  
Application example:  
Valves control

Includes: One cable clamp and two mounting screws

#### Technical Data

Rated voltage (III / 3)	250 V
Rated impulse voltage (III / 3)	4 kV
Rated current	6 A
Internal wiring	0.75 mm <sup>2</sup>



Distribution box; supply cable entry

Color	Item No.	Pack. Unit
● black	899-631/454-000	1

## 230 V + DALI

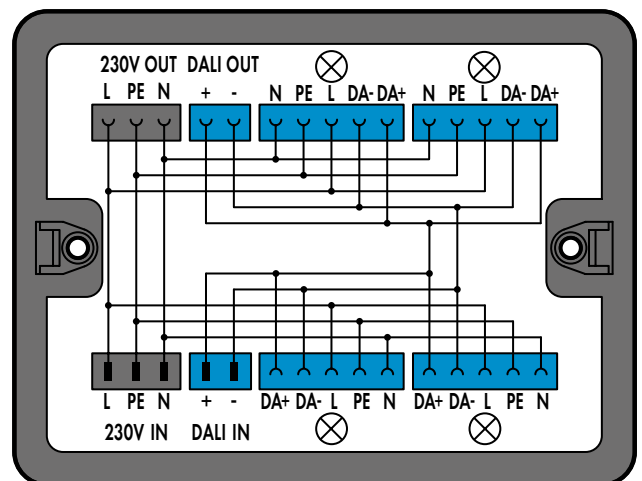
### 2 Inputs; 6 Outputs; A-, I-Coding; WINSTA® MINI; WINSTA® MIDI

#### Description

This WINSTA® Box connects 5-pole DALI lights.  
Power supply is performed via two cables (230 V and DALI). Both cables are combined into four outputs.

#### Technical Data

Rated voltage (III / 3)	250 V
Rated impulse voltage (III / 3)	4 kV
Rated current	25 A / 16 A
Internal wiring	4 mm <sup>2</sup> / 1.5 mm <sup>2</sup>



Distribution box; 230 V + DALI

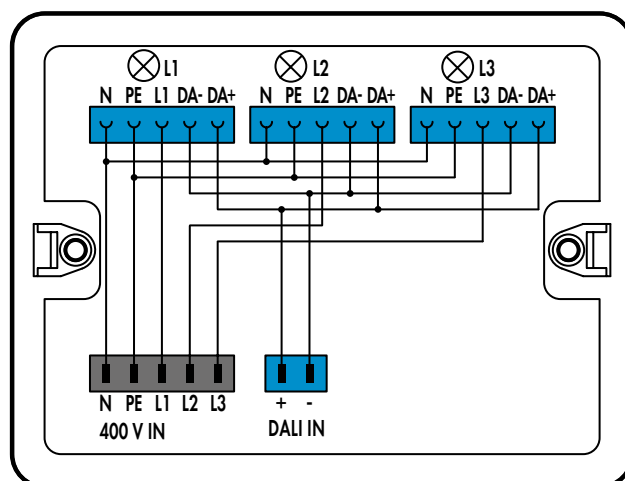
Color	Item No.	Pack. Unit
● black	899-631/181-000	1

**WINSTA® Boxes ▶ 899 Series****400 V + DALI**2 Inputs; 3 Outputs; A-, I-Coding; *WINSTA®* MINI; *WINSTA®* MIDI**Description**

This *WINSTA®* Box combines the L1, L2 and L3 phases of the 3-phase current with the DALI signal (separate cable).

**Technical Data**

Rated voltage (III / 3)	400 V
Rated impulse voltage (III / 3)	6 kV
Rated current	20 A / 16 A
Internal wiring	2.5 mm <sup>2</sup> / 1.5 mm <sup>2</sup> (halogen-free)

**Distribution box; 400 V + DALI**

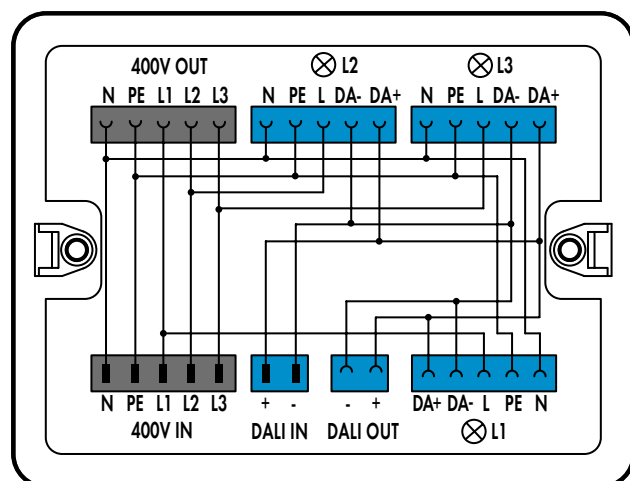
Color	Item No.	Pack. Unit
<input type="radio"/> white	899-681/145-000	1

**400 V + DALI**2 Inputs; 5 Outputs; A-, I-Coding; *WINSTA®* MINI; *WINSTA®* MIDI**Description**

This *WINSTA®* Box combines the L1, L2 and L3 phases of the 3-phase current with the DALI signal (separate cable).

**Technical Data**

Rated voltage (III / 3)	250 V / 400 V
Rated impulse voltage (III / 3)	4 kV / 6 kV
Rated current	20 A / 16 A
Internal wiring	2.5 mm <sup>2</sup> / 1.5 mm <sup>2</sup> (halogen-free)

**Distribution box; 400 V + DALI**

Color	Item No.	Pack. Unit
<input type="radio"/> white	899-681/147-000	1

(III / 3) ≙ Overvoltage category III /  
Pollution degree 3

Accessories, 899 Series Page 359

Coding Overview Page 372

Approvals, see [www.wago.com](http://www.wago.com)

## WINSTA® Boxes ▶ 899 Series

### 400 V + DALI

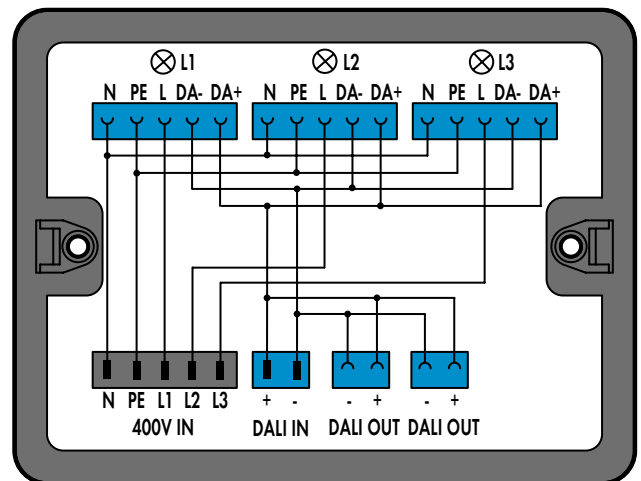
2 Inputs; 5 Outputs; A-, I-Coding; WINSTA® MINI; WINSTA® MIDI

#### Description

This WINSTA® Box combines the L1, L2 and L3 phases of the 3-phase current with the DALI signal (separate cable).

#### Technical Data

Rated voltage (III / 3)	250 V / 400 V
Rated impulse voltage (III / 3)	4 kV / 6 kV
Rated current	20 A / 16 A
Internal wiring	2.5 mm <sup>2</sup> / 1.5 mm <sup>2</sup> (halogen-free)



#### Distribution box; 400 V + DALI

Color	Item No.	Pack. Unit
● black	899-631/455-000	1

### 230 V + DALI

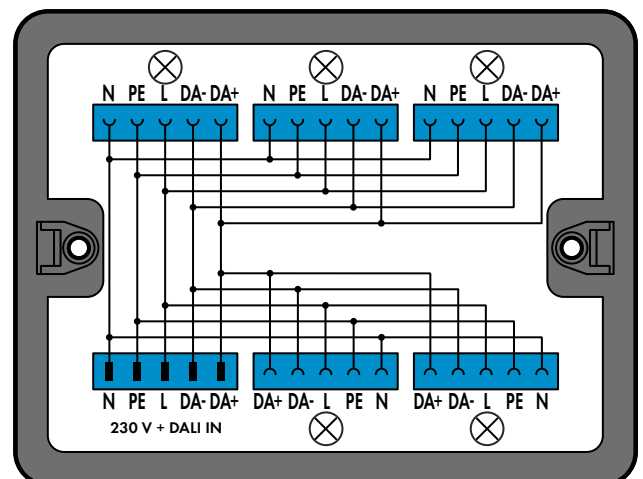
1 Input; 5 Outputs; I-Coding; WINSTA® MIDI

#### Description

This WINSTA® Box connects 5-pole DALI lights. Both 230 V power supply and DALI bus for light scene control are combined into a single line.

#### Technical Data

Rated voltage (III / 3)	250 V
Rated impulse voltage (III / 3)	4 kV
Rated current	20 A / 16 A
Internal wiring	2.5 mm <sup>2</sup> / 1.5 mm <sup>2</sup> (halogen-free)



#### Distribution box; 230 V + DALI

Color	Item No.	Pack. Unit
● black	899-631/313-000	1

## WINSTA® Boxes ▶ 899 Series

### 230 V + DALI

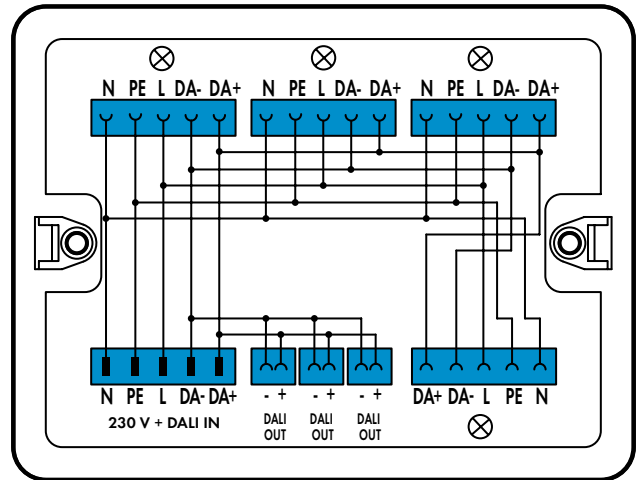
1 Input; 7 Outputs; I-Coding; WINSTA® MINI; WINSTA® MIDI

#### Description

This WINSTA® Box connects 5-pole DALI lights. Both 230 V power supply and DALI bus for light scene control are combined into a single line. Additionally, three isolated DALI signals are available.

#### Technical Data

Rated voltage (III / 3)	250 V / 400 V
Rated impulse voltage (III / 3)	4 kV / 6 kV
Rated current	20 A / 16 A
Internal wiring	2.5 mm <sup>2</sup> / 1.5 mm <sup>2</sup> (halogen-free)



Distribution box; 230 V + DALI

Color	Item No.	Pack. Unit
○ white	899-681/146-000	1

### 230 V + SMI

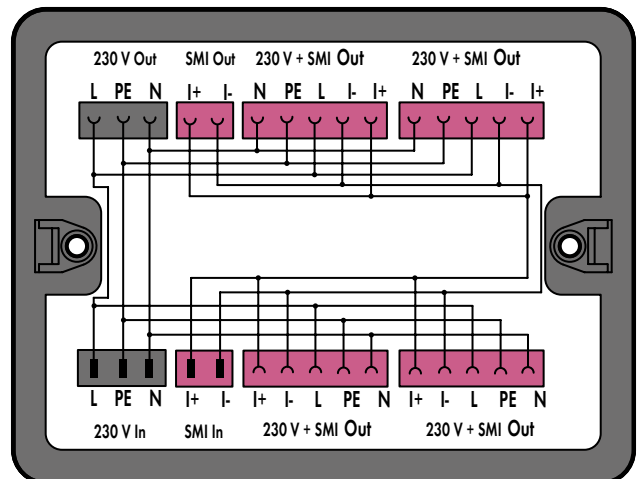
2 Inputs, 6 Outputs, A-, B-Coding; WINSTA® MINI; WINSTA® MIDI

#### Description

This WINSTA® Box connects to 5-pole SMI drives. Power supply is performed via two cables (230 V and SMI).

#### Technical Data

Rated voltage (III / 3)	250 V
Rated impulse voltage (III / 3)	4 kV
Rated current	25 A / 16 A
Internal wiring	4 mm <sup>2</sup> / 1.5 mm <sup>2</sup>



Distribution box; 230 V + SMI

Color	Item No.	Pack. Unit
● black	899-631/405-000	1

(III / 3) Δ Overvoltage category III / Pollution degree 3

Accessories, 899 Series Page 359

Coding Overview Page 372

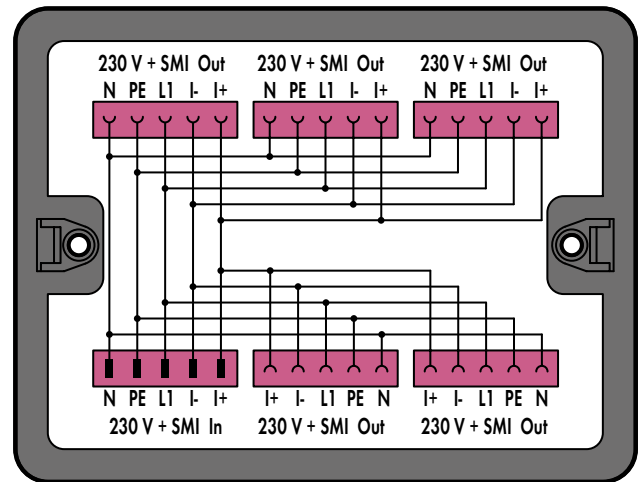
Approvals, see www.wago.com

**WINSTA® Boxes ▶ 899 Series****230 V + SMI****1 Input; 5 Outputs; B-Coding, WINSTA® MIDI****Description**

This WINSTA® Box connects to 5-pole SMI drives; 230 V power supply and SMI signal are combined into a single line.

**Technical Data**

Rated voltage (III / 3)	250 V
Rated impulse voltage (III / 3)	4 kV
Rated current	20 A / 16 A
Internal wiring	2.5 mm <sup>2</sup> / 1.5 mm <sup>2</sup> (halogen-free)

**Distribution box; 230 V + SMI**

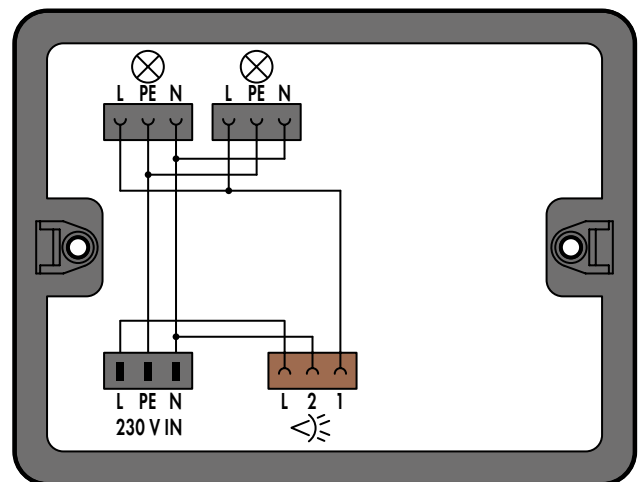
Color	Item No.	Pack. Unit
● black	899-631/421-000	1

**Motion/Presence Detector****1 Input; 3 Outputs; A-, S-Coding; WINSTA® MIDI****Description**

This WINSTA® Box connects to one motion detector and two lights.

**Technical Data**

Rated voltage (III / 3)	250 V
Rated impulse voltage (III / 3)	4 kV
Rated current	25 A
Internal wiring	4 mm <sup>2</sup>

**Distribution box; motion/presence detector**

Color	Item No.	Pack. Unit
● black	899-631/309-000	1

## WINSTA® Boxes ▶ 899 Series

### Motion/Presence Detector

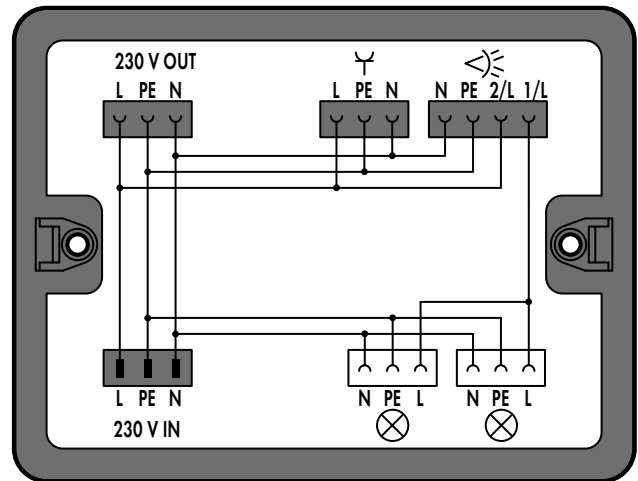
1 Input; 5 Outputs; A-Coding; WINSTA® MIDI

#### Description

This WINSTA® Box connects to one motion detector, two lights and one outlet.

#### Technical Data

Rated voltage (III / 3)	250 V
Rated impulse voltage (III / 3)	4 kV
Rated current	25 A
Internal wiring	4 mm <sup>2</sup>



Distribution box; motion/presence detector

Color	Item No.	Pack. Unit
● black	899-631/180-000	1

## On/Off Switching

### 1 Input; 7 Outputs; A-, S-Coding; WINSTA® MIDI

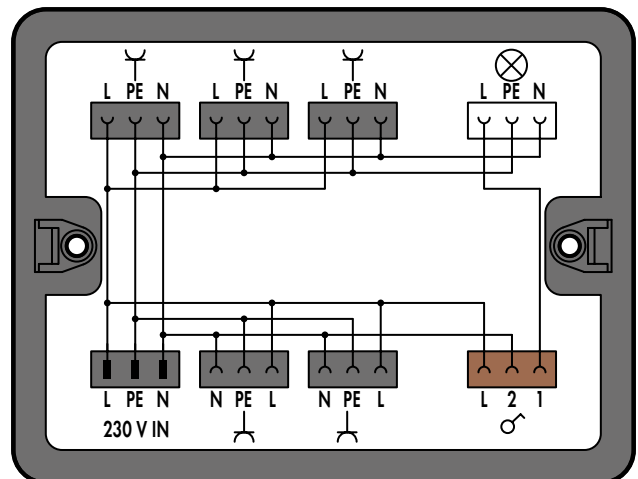
#### Description

This WINSTA® Box features one on/off switch with additional power outlets.

The distribution box is fitted on the 770-680 Mounting Plate.

#### Technical Data

Rated voltage (III / 3)	250 V
Rated impulse voltage (III / 3)	4 kV
Rated current	20 A
Internal wiring	2.5 mm <sup>2</sup> (halogen-free)



Distribution box; on/off switching

Color	Item No.	Pack. Unit
● black	899-631/478-000	1

(III / 3) ≙ Overvoltage category III /  
Pollution degree 3

Accessories, 899 Series Page 359

Coding Overview Page 372

Approvals, see [www.wago.com](http://www.wago.com)

## WINSTA® Boxes ▶ 899 Series

### On/Off Switching

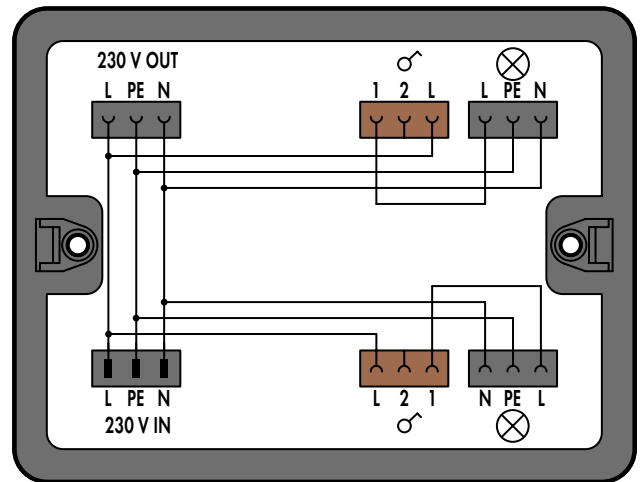
1 Input; 5 Outputs; A-, S-Coding; WINSTA® MIDI

#### Description

This WINSTA® Box features two on/off switches for one light each.

#### Technical Data

Rated voltage (III / 3)	250 V
Rated impulse voltage (III / 3)	4 kV
Rated current	25 A
Internal wiring	4 mm <sup>2</sup>



#### Distribution box; on/off switching

Color	Item No.	Pack. Unit
● black	899-631/363-000	1

### Series Switching

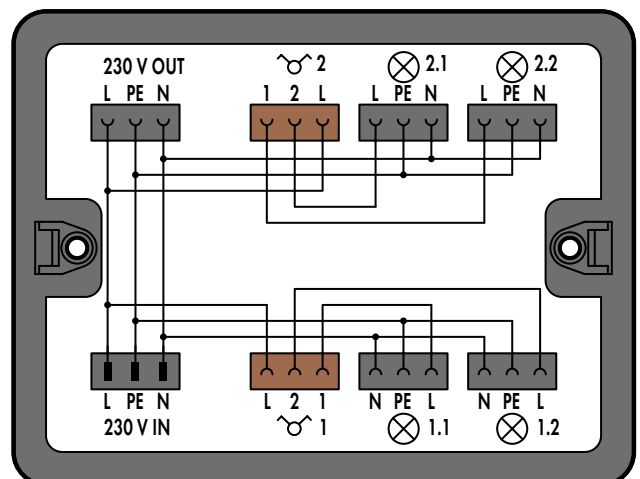
1 Input; 7 Outputs; A-, S-Coding; WINSTA® MIDI

#### Description

This WINSTA® Box features two series switches with pluggable connectors.

#### Technical Data

Rated voltage (III / 3)	250 V
Rated impulse voltage (III / 3)	4 kV
Rated current	25 A
Internal wiring	4 mm <sup>2</sup>



#### Distribution box; series switching

Color	Item No.	Pack. Unit
● black	899-631/386-000	1



## WINSTA® Boxes ▶ 899 Series

### Changeover Switching

1 Input; 7 Outputs; A-, S-Coding; WINSTA® MIDI

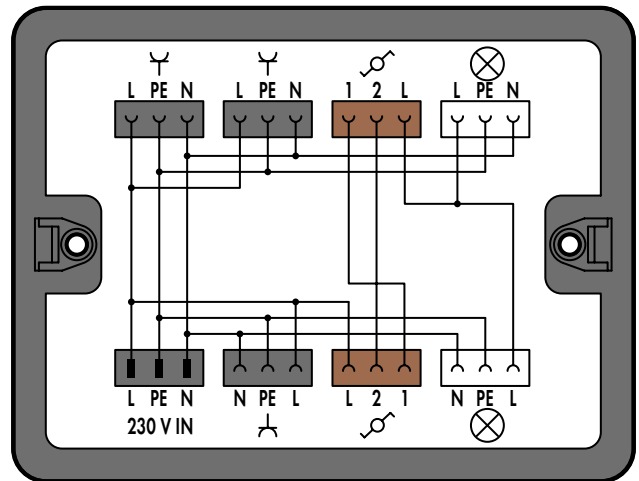
#### Description

This WINSTA® Box features two changeover switches and connects to power outlets.

The distribution box is fitted on the 770-680 Mounting Plate.

#### Technical Data

Rated voltage (III / 3)	250 V
Rated impulse voltage (III / 3)	4 kV
Rated current	25 A
Internal wiring	4 mm <sup>2</sup>



Distribution box; changeover switching		
Color	Item No.	Pack. Unit
● black	899-631/189-000	1

### Changeover Switching

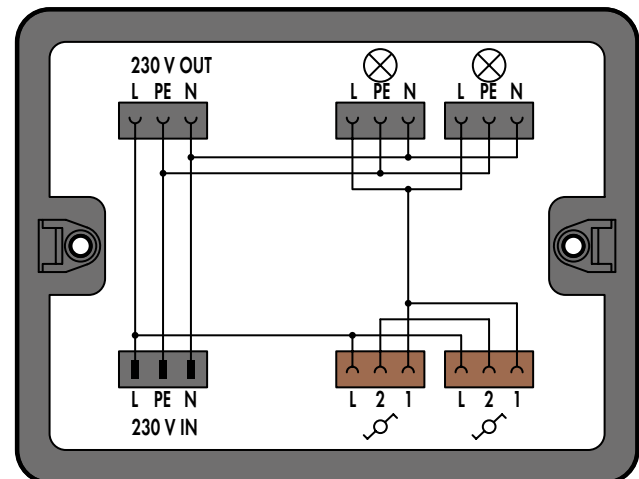
1 Input; 5 Outputs; A-, S-Coding; WINSTA® MIDI

#### Description

This WINSTA® Box features two changeover switches for two lights.

#### Technical Data

Rated voltage (III / 3)	250 V
Rated impulse voltage (III / 3)	4 kV
Rated current	25 A
Internal wiring	4 mm <sup>2</sup>



Distribution box; changeover switching		
Color	Item No.	Pack. Unit
● black	899-631/308-000	1

(III / 3) Δ Overvoltage category III / Pollution degree 3

Accessories, 899 Series Page 359

Coding Overview Page 372

Approvals, see www.wago.com

## WINSTA® Boxes ▶ 899 Series

### Crossover Switching

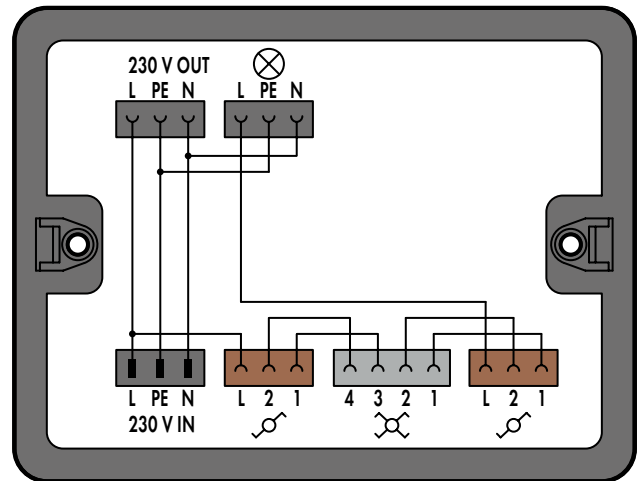
1 Input; 5 Outputs; A-, B-, S-Coding; WINSTA® MIDI

#### Description

This WINSTA® Box features one crossover switch.

#### Technical Data

Rated voltage (III / 3)	250 V
Rated impulse voltage (III / 3)	4 kV
Rated current	25 A
Internal wiring	4 mm <sup>2</sup>



#### Distribution box; crossover switching

Color	Item No.	Pack. Unit
● black	899-631/305-000	1

## Cable and Device Protection

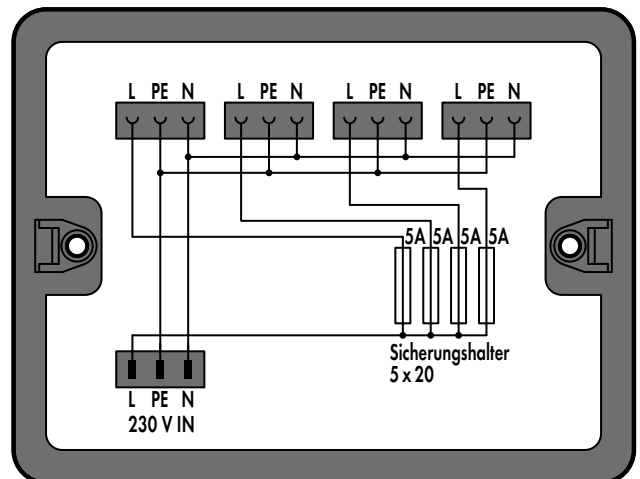
1 Input; 4 Outputs; A-Coding; WINSTA® MIDI

#### Description

This WINSTA® Box protects four components within a device (5 x 20 mm fuse holder). Power supply is performed using a 3-pole connecting cable.

#### Technical Data

Rated voltage (III / 3)	250 V
Rated impulse voltage (III / 3)	4 kV
Rated current	5 A
Internal wiring	2.5 mm <sup>2</sup> (halogen-free)



#### Distribution box; cable and device protection

Color	Item No.	Pack. Unit
● black	899-631/315-000	1

## WINSTA® Boxes ▶ 899 Series

### Latching Relay

1 Input; 4 Outputs; A-, S-Coding; WINSTA® MIDI

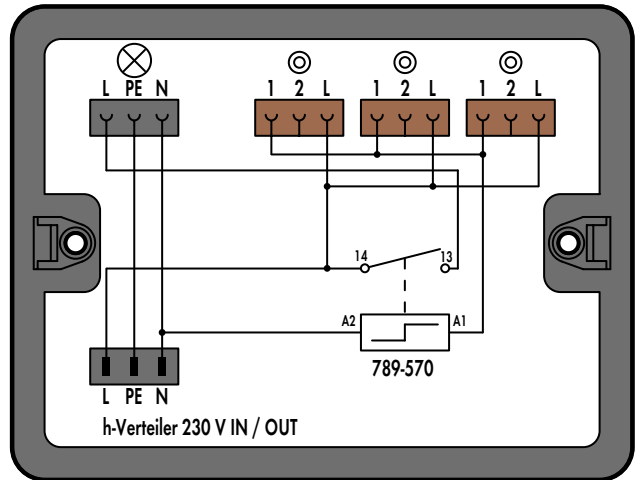
#### Description

This WINSTA® Box features one latching relay with three push-buttons and one light. Power supply (230 V, through wiring) is performed using the provided h-distribution connector.

Includes: One 770-633 h-Distribution Connector

#### Technical Data

Rated voltage (III / 3)	250 V
Rated impulse voltage (III / 3)	4 kV
Rated current	16 A
Internal wiring	2.5 mm <sup>2</sup> (halogen-free)



Distribution box; latching relay		
Color	Item No.	Pack. Unit
● black	899-632/101-000	1

### Latching Relay

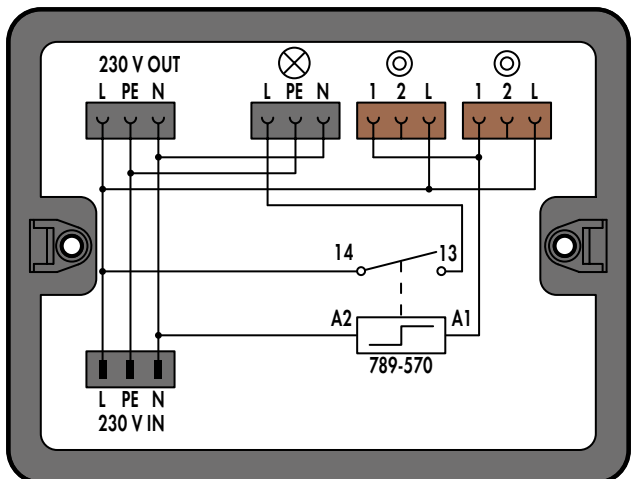
1 Input; 4 Outputs; A-, S-Coding; WINSTA® MIDI

#### Description

This WINSTA® Box features one latching relay with two push-buttons and one light.

#### Technical Data

Rated voltage (III / 3)	250 V
Rated impulse voltage (III / 3)	4 kV
Rated current	16 A
Internal wiring	2.5 mm <sup>2</sup> (halogen-free)



Distribution box; latching relay		
Color	Item No.	Pack. Unit
● black	899-632/138-000	1

(III / 3) ± Overvoltage category III / Pollution degree 3

Accessories, 899 Series Page 359

Coding Overview Page 372

Approvals, see www.wago.com

## WINSTA® Boxes ▶ 899 Series

### Latching Relay

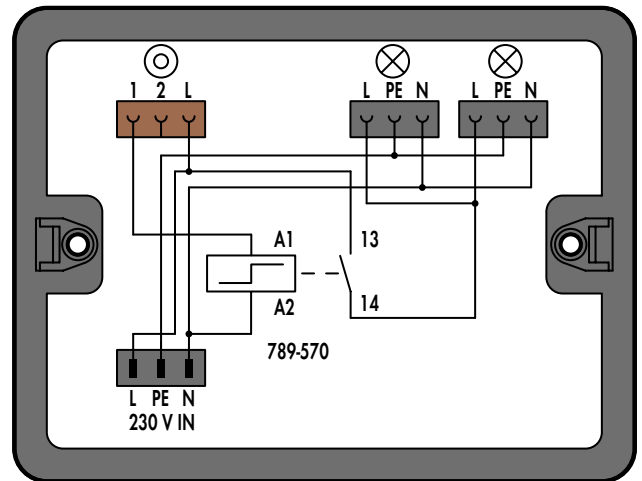
2 Inputs; 2 Outputs; A-, S-Coding; WINSTA® MIDI

#### Description

This WINSTA® Box features a latching relay with one push-button and two lights.

#### Technical Data

Rated voltage (III / 3)	250 V
Rated impulse voltage (III / 3)	4 kV
Rated current	16 A
Internal wiring	2.5 mm <sup>2</sup> (halogen-free)



#### Distribution box; latching relay

Color	Item No.	Pack. Unit
● black	899-632/103-000	1

### Relay Switching

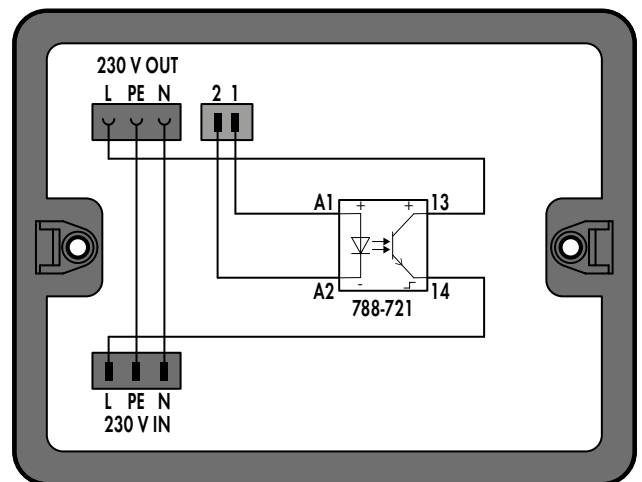
2 Inputs; 1 Output; A-, B-Coding; WINSTA® MINI; WINSTA® MIDI

#### Description

This WINSTA® Box features one solid-state relay and switches 230 V at the zero cross.

#### Technical Data

Rated voltage (III / 3)	250 V
Rated impulse voltage (III / 3)	4 kV
Rated current	4 A
Internal wiring	1.5 mm <sup>2</sup> (halogen-free)



#### Distribution box; relay switching

Color	Item No.	Pack. Unit
● black	899-632/102-000	1

## WINSTA® Boxes ▶ 899 Series Distribution Box for Self-Assembly

### Description

This WINSTA® Box is designed for custom assembly/wiring and includes: 1 bottom, 1 lid, 2 sidewalls and 16 MIDI mounting pins.



Distribution box; for self-assembly		
Color	Item No.	Pack. Unit
● black	899-631	1
○ white	899-681	1

## Distribution Box for Self-Assembly

### Description

This WINSTA® Box is designed for custom wiring with an electronic module (1 module on DIN-35 rail) and includes: 1 bottom, 1 lid, 1 sidewall, 1 sidewall with DIN-35 rail and 10 MIDI mounting pins.



Distribution box; for self-assembly		
Color	Item No.	Pack. Unit
● black	899-632	1
○ white	899-682	1

(III / 3) ≙ Overvoltage category III /  
Pollution degree 3

Accessories, 899 Series Page 359

Coding Overview Page 372







Approvals, see [www.wago.com](http://www.wago.com)





## **WAGO Accessories and WAGO Tools**

## WAGO Accessories and WAGO Tools

	Page
	<b>WAGOSTA® MINI; 890 Series</b> Accessories 374
	<b>WAGOSTA® MIDI; 770 Series</b> Accessories 379
	<b>WAGOSTA® Boxes; 899 Series</b> Accessories 393
	<b>WAGOSTA® IDC; 772, 895 and 897 Series</b> Accessories 394
	<b>Tools</b>
	Operating Tools 400
	Wire strippers 402
	Stripping Pliers, Cable Cutters, Stripping Knives 403
	Cable cutters 404
	<b>Marking</b>
	Markers 405
	Self-Adhesive Marking Strips 405



## Accessories ▶ WINSTA® MINI ▶ 890, 891 Series



Locking lever; for flying leads; manually operated

Color	Item No.	PU (SPU)
black	890-101	100(50)
white	890-121	100(50)



Mounting carrier; 2- to 5-pole; for flying leads

Color	Item No.	PU
black	890-310	100
white	890-311	100



Lockout cap; for cutout; 2-pole

Color	Item No.	PU
black	890-642	100
white	890-692	100



Lockout cap; for cutout; 3-pole

Color	Item No.	PU
black	890-643	100
white	890-693	100

Lockout cap; for cutout; 4-pole

Color	Item No.	PU
black	890-644	100
white	890-694	100

Locking lever; for flying leads; tool operated

Color	Item No.	PU (SPU)
black	890-111	100(50)
white	890-131	100(50)

Lockout cap; for cutout; 5-pole

Color	Item No.	PU
black	770-643	100
white	770-693	100

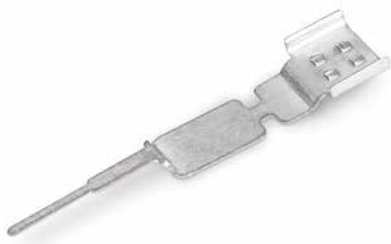


All connectors for mounted installations (snap-in versions, pluggable PCB connectors, distribution connectors) are factory-equipped with locking levers to ensure plugs and sockets are securely locked. Additional locking levers are only required for "flying leads" (plug/socket).

Locking connector via integrated lever.  
Locking second connector for a secure connection.

Seal unused cutout with lockout cap.

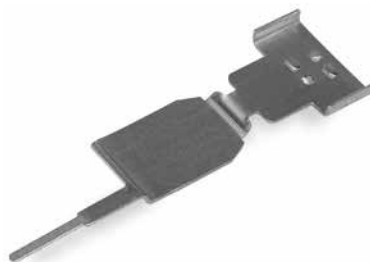
Accessories ▶ WINSTA® MINI ▶ 890 Series



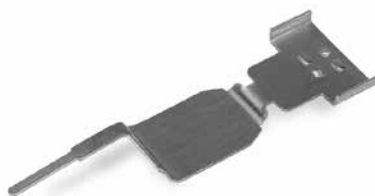
Shield connecting plate; for 3-pole plugs and sockets		
Item No.	PU	
890-523	50	



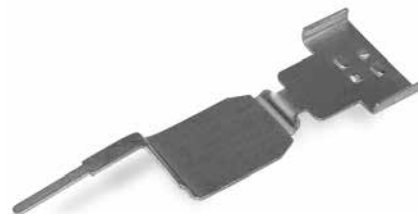
Shield connecting plate; for socket; 4-pole		
Item No.	PU	
890-524	50	



Shield connecting plate; for socket; 5-pole		
Item No.	PU	
890-526	50	



Shield connecting plate; for plug; 4-pole		
Item No.	PU	
890-525	50	



Shield connecting plate; for plug; 5-pole		
Item No.	PU	
890-527	50	



Connector with shield termination

## Accessories ▶ WINSTA® MINI ▶ 890 / 891 Series



Mounting plate for distribution connector; 2-pole

Color	Item No.	PU
black	890-1622	100
white	890-1672	100



Mounting pin; for mounting plates;  
5 mm Ø; 0.2 ... 1.2 mm plate thickness

Color	Item No.	PU
black	890-601	250



Protective cap; type 1;  
for 890 series: 2- and 3-pole  
for 891 series: 2- and 3-pole

Color	Item No.	PU
red	897-2001	25

Mounting plate; for distribution connector; 3-pole

Color	Item No.	PU
black	890-623	100
white	890-673	100

Mounting plate; for distribution connector; 4-pole

Color	Item No.	PU
black	890-624	50
white	890-674	50

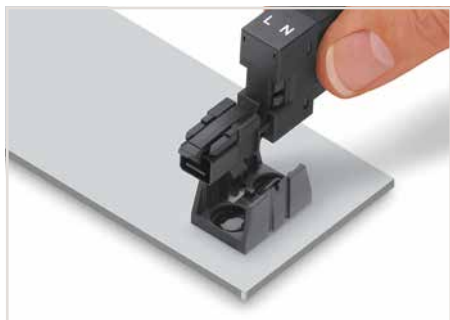
Mounting plate; for distribution connector; 5-pole

Color	Item No.	PU
black	890-625	50
white	890-675	50



Protective cap; type 2;  
for 890 series: 4- and 5-pole  
for 891 series: 4- and 5-pole

Color	Item No.	PU
red	897-2003	25



The distribution connectors snap together when attached to the mounting plate.



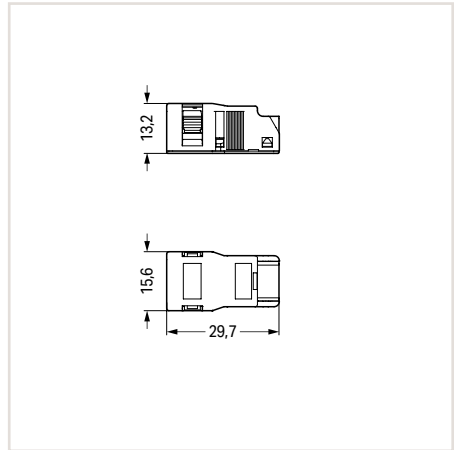
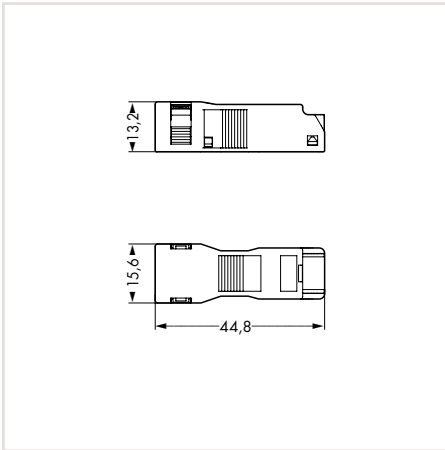
Secure the mounting plate via pins.

Accessories ▶ WINSTA® MINI ▶ 890 Series



Strain relief housing; for 3.8 ... 8.2 mm cable diameter; 32 mm strip length		
Color	Item No.	PU
black	890-502	50
white	890-512	50

Strain relief housing; short; for 3.8 ... 8.2 mm cable diameter; 17.5 mm strip length		
Color	Item No.	PU
black	890-502/342-000	50
white	890-512/342-000	50



PU = Packaging Unit; SPU = Subpackaging Unit; Dimensions in mm

## Accessories ▶ WINSTA® MINI ▶ 890 Series



Strain relief housing; for 4.5 ... 10 mm cable diameter; 40 mm strip length

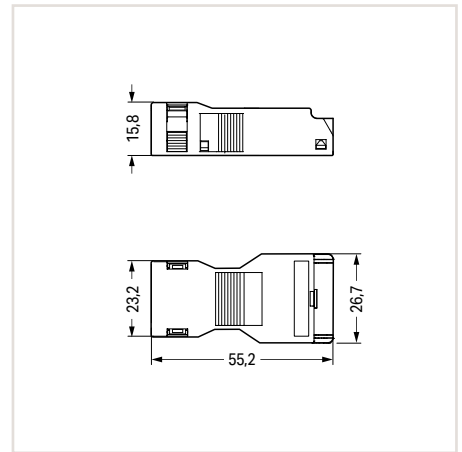
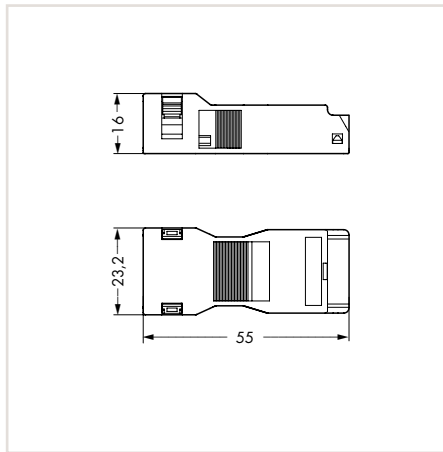
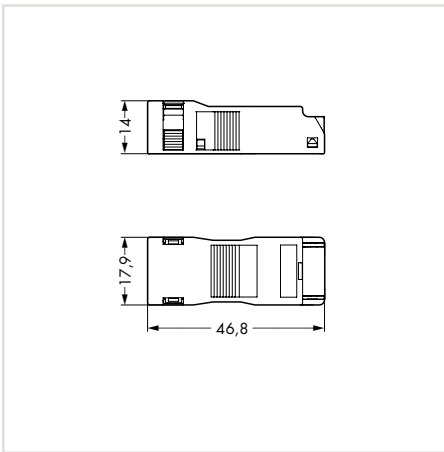
Color	Item No.	PU
black	890-503	50
white	890-513	50

Strain relief housing; for 6.5 ... 10.5 mm cable diameter; 45 mm strip length

Color	Item No.	PU
black	890-504	50
white	890-514	50

Strain relief housing; for 6.5 ... 10.5 mm cable diameter; 45 mm strip length

Color	Item No.	PU
black	890-505	50
white	890-515	50



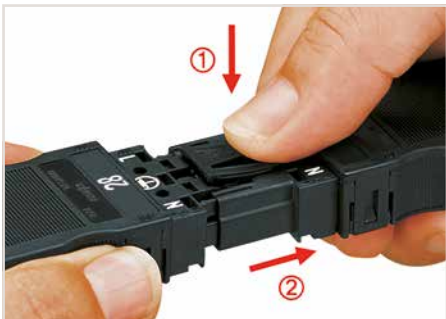
## Accessories ▶ WINSTA® MIDI ▶ 770, 771 Series



Locking lever; for flying leads; manually operated		
Color	Item No.	PU (SPU)
black	770-101	100(25)
white	770-121	100(25)

Locking lever; oversized; tool operated		
Color	Item No.	PU (SPU)
gray	770-140	100(25)

Coding pin; for plug (A- and B-coding)		
Color	Item No.	PU
gray	770-401	100



Locking lever, manually operated:

- Push on locking lever
- Pull the connectors apart



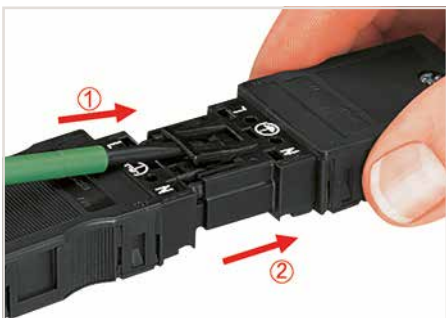
Snap-in connector with protruding locking lever



Insert coding pin into the plug.



Locking lever; for flying leads; tool operated		
Color	Item No.	PU (SPU)
black	770-111	100(25)
white	770-131	100(25)



Locking lever, tool operated:

- Unlatch locking lever
- Pull the connectors apart

PU = Packaging Unit; SPU = Subpackaging Unit; Dimensions in mm

## Accessories ▶ WINSTA® MIDI ▶ 770, 771 Series



Mounting carrier; 2- to 5-pole; for flying leads		
Color	Item No.	PU
black	770-310	100



Lockout cap; for socket; separable; 12-pole		
Color	Item No.	PU
black	770-201	100
white	770-221	100



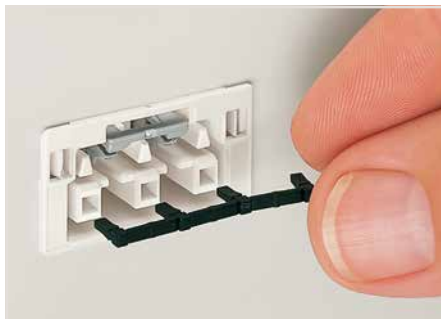
Lockout cap; for cutout; 3-pole		
Color	Item No.	PU
black	770-643	100
white	770-693	100



Lockout cap; for cutout; 4-pole		
Color	Item No.	PU
black	770-644	100
white	770-694	100

Lockout cap; for cutout; 5-pole		
Color	Item No.	PU
black	770-645	100
white	770-695	100

Lockout cap; for plug; separable; 5-pole		
Color	Item No.	PU
gelb	770-360	100



Seal an unmated socket by simply inserting a lockout cap. This prevents the smallest particles from entering the socket.



Seal unused cutout with lockout cap.

## Accessories ▶ WINSTA® MIDI ▶ 770 Series



Protective cap; type 2; for 770 series: 2-pole for 771 series: 2- and 3-pole		
Color	Item No.	PU
red	897-2003	25



Mounting plate for distribution connector; 2-pole		
Color	Item No.	PU
black	770-1626	25
white	770-1627	25



Mounting pin; for mounting plates; 6 mm Ø; 1 ... 2.5 mm plate thickness		
Color	Item No.	PU
black	770-601	250

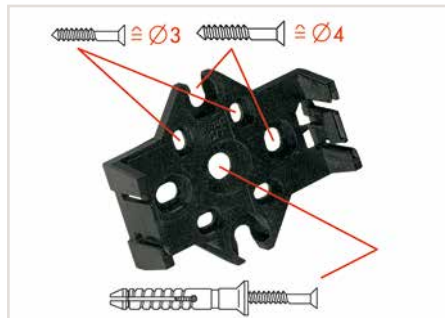


Protective cap; type 4; for 770 series: 4- and 5-pole for 771 series: 5-pole		
Color	Item No.	PU
red	897-2005	25

Mounting plate; for distribution connector; 3-pole		
Color	Item No.	PU
black	770-623	25
white	770-673	25

Mounting plate; for distribution connector; 4-pole		
Color	Item No.	PU
black	770-624	25
white	770-674	25

Mounting plate; for distribution connector; 5-pole		
Color	Item No.	PU
black	770-625	25
white	770-675	25



Mounting plates can be secured using commercially available screws or nail-drive anchors.



The mounting plate can be centrally mounted, or attached via outboard attachment points using 770-601 Mounting Pins.



## Accessories ▶ WINSTA® MIDI ▶ 770 Series

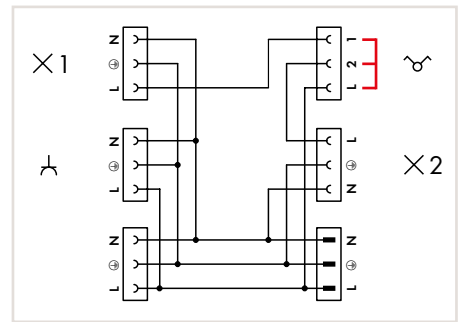
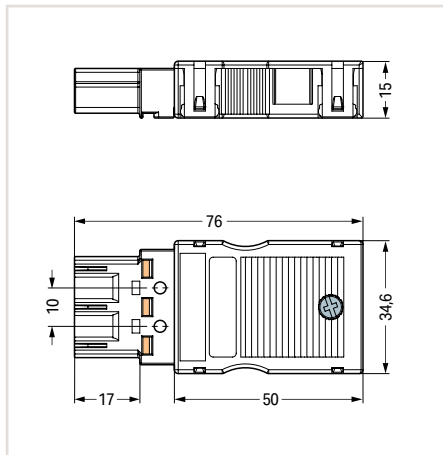
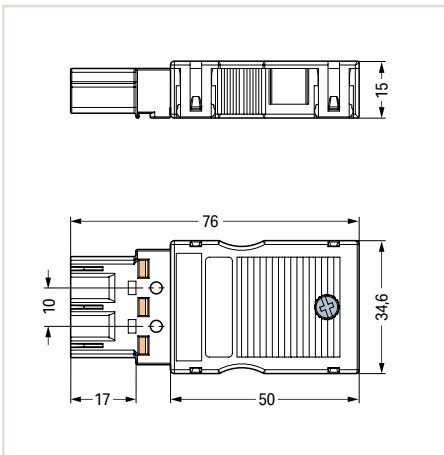


Shorting plug; S-coding; brown plug with assembled strain relief housing and bridge

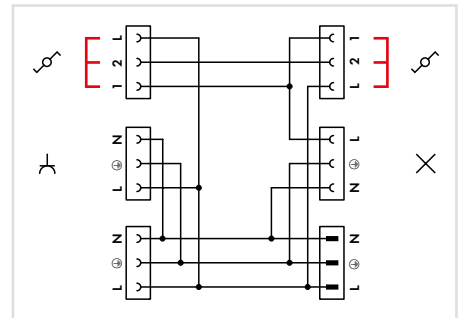
Color/Marking	Item No.	PU
	770-1373/146-000	50
	770-1373/147-000	50
	770-1373/148-000	50
	770-1373/149-000	50

Shorting plug; A-coding; black plug with assembled strain relief housing and bridge

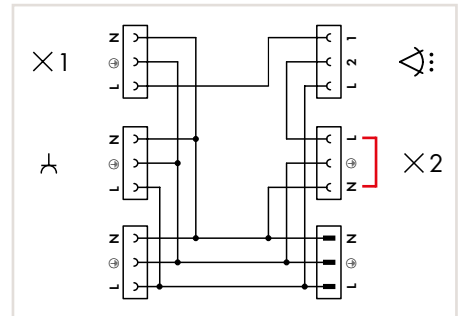
Color/Marking	Item No.	PU
	770-113/147-000	50



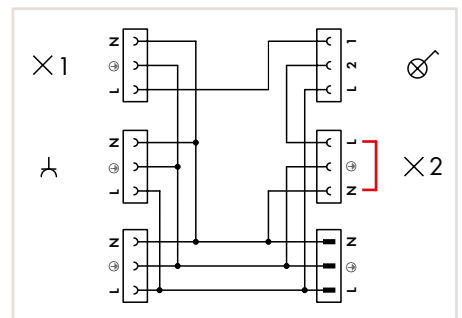
Internal circuit of 770-637 Distribution Connector with possible insertion position of 770-1373/14x-000 Shorting Plug.



Internal circuit of 770-638 Distribution Connector with possible insertion positions of 770-1373/14x-000 Shorting Plug.



Internal circuit of 770-637 Distribution Connector with insertion position of 770-113/147-000 Shorting Plug for connecting a motion sensor.



Internal circuit of 770-637 Distribution Connector with insertion position of 770-113/147-000 Shorting Plug for connecting a switch with control lamp.

Accessories ▶ WINSTA® MIDI ▶ 770 Series



Shield connecting plate; for 3-pole plugs and sockets

Item No.	PU
770-523	25

Strain relief housing; for one cable; 5 ... 9 mm cable diameter; 35 mm strip length

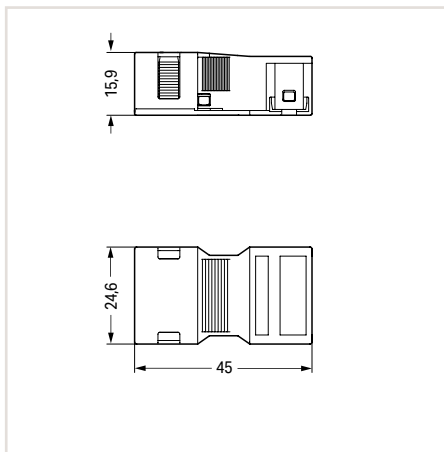
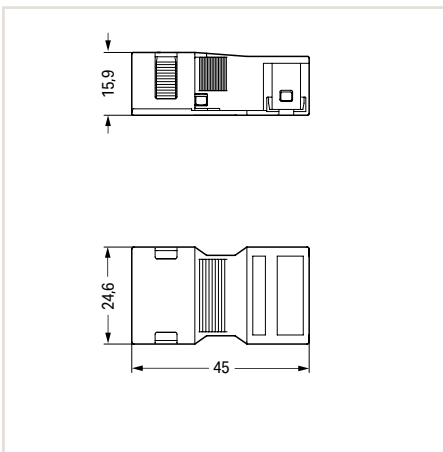
Color	Item No.	PU
black	770-502/042-000	50
white	770-512/042-000	50

Strain relief housing; for one cable; 7 ... 10.5 mm cable diameter; 35 mm strip length

Color	Item No.	PU
black	770-502/041-000	50
white	770-512/041-000	50



Connector with shield termination



PU = Packaging Unit; SPU = Subpackaging Unit; Dimensions in mm

## Accessories ▶ WINSTA® MIDI ▶ 770 Series 3-Pole



Strain relief housing; for two cables;  
for 4.5 ... 8 mm cable diameter; 55 mm strip length

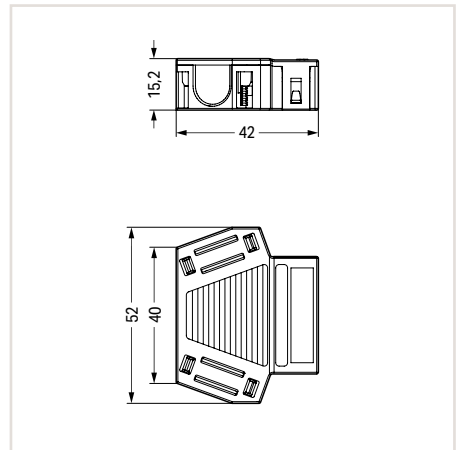
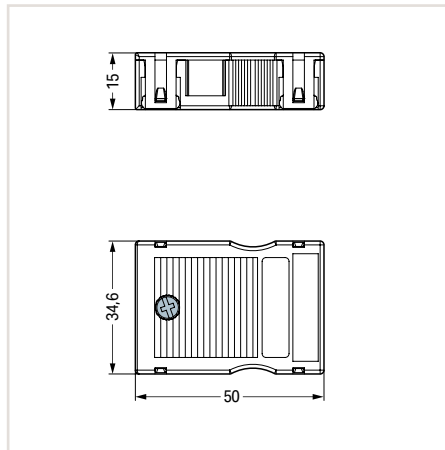
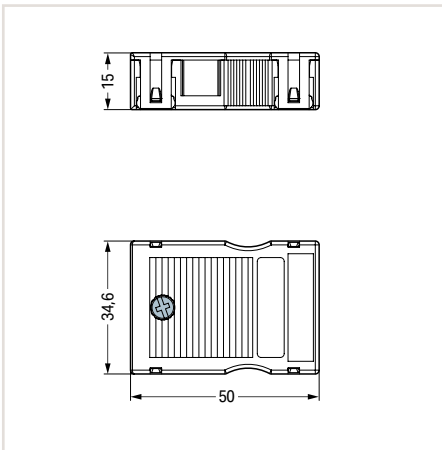
Color	Item No.	PU
black	770-503/023-000	50
white	770-513/023-000	50

Strain relief housing; for two cables;  
for 8 ... 11.5 mm cable diameter; 55 mm strip length

Color	Item No.	PU
black	770-503	50
white	770-513	50

Strain relief housing; angled; for two cables;  
for 8 ... 11.5 mm cable diameter; 55 mm strip length

Color	Item No.	PU
black	770-503/032-000	25
white	770-513/032-000	25



## Accessories ▶ WINSTA® MIDI ▶ 770 Series 3-Pole



Strain relief housing; for 4 mm<sup>2</sup> cables; for 1 cable;  
9 ... 13 mm cable diameter; 71 mm strip length

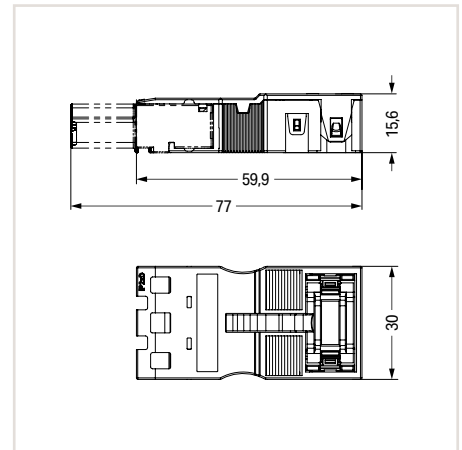
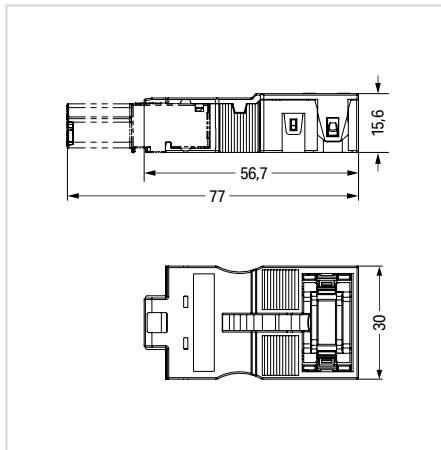
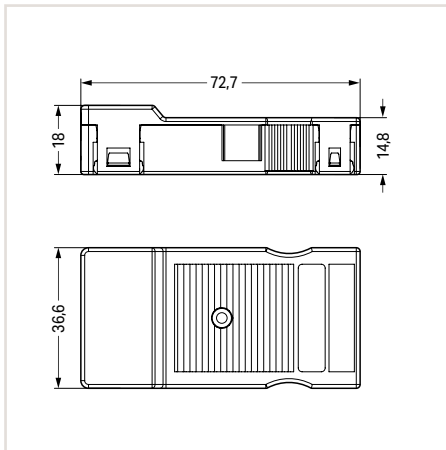
Color	Item No.	PU
black	770-503/021-000	50
white	770-513/021-000	50

Strain relief housing; for quick assembly; for one cable;  
7 ... 11.5 mm cable diameter; 48 mm strip length

Color	Item No.	PU
black	770-503/035-000	50
white	770-513/035-000	50

Strain relief housing; IP 2xD; for one cable;  
7 ... 11.5 mm cable diameter; 48 mm strip length

Color	Item No.	PU
black	770-503/038-000	50
white	770-513/038-000	50



PU = Packaging Unit; SPU = Subpackaging Unit; Dimensions in mm

## Accessories ▶ WINSTA® MIDI ▶ 770 Series 4-Pole

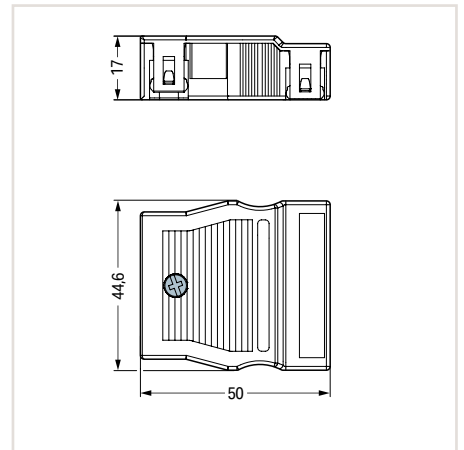
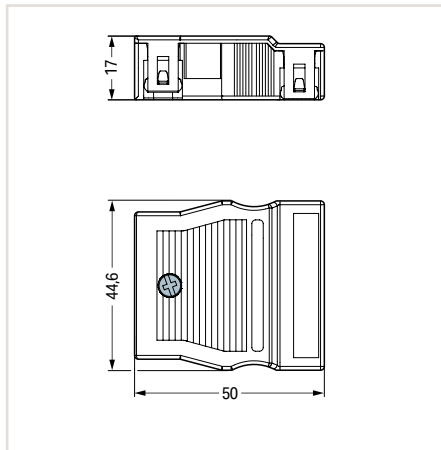


Strain relief housing; for two cables; for 5 ... 9 mm cable diameter; 55 mm strip length

Color	Item No.	PU
black	770-504/023-000	50
white	770-514/023-000	50

Strain relief housing; for two cables; for 9 ... 13 mm cable diameter; 55 mm strip length

Color	Item No.	PU
black	770-504	50
white	770-514	50



# Accessories ▶ WINSTA® MIDI ▶ 770 Series 5-Pole



Strain relief housing; for two cables; for 5 ... 9 mm cable diameter; 55 mm strip length

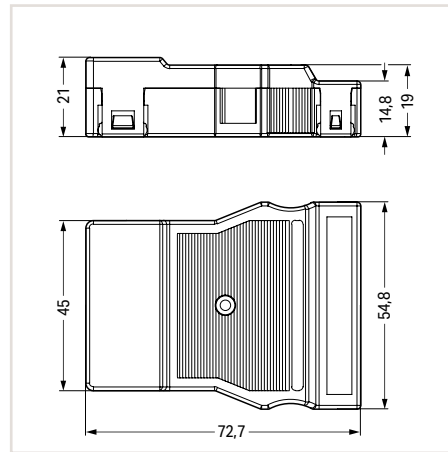
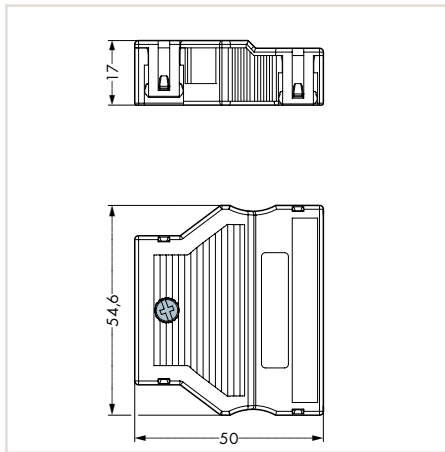
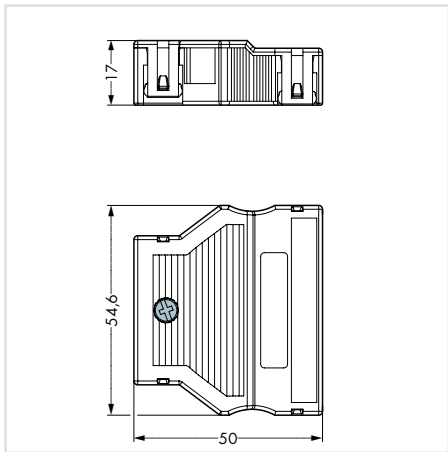
Color	Item No.	PU
black	770-505/023-000	25
white	770-515/023-000	25

Strain relief housing; for two cables; for 9 ... 13 mm cable diameter; 55 mm strip length

Color	Item No.	PU
black	770-505	25
white	770-515	25

Strain relief housing; for one cable; 11.5 ... 16.5 mm cable diameter; 71 mm strip length

Color	Item No.	PU
black	770-505/021-000	25
white	770-515/021-000	25



PU = Packaging Unit; SPU = Subpackaging Unit; Dimensions in mm

## Accessories ▶ WINSTA® MIDI ▶ 770 Series 6-Pole



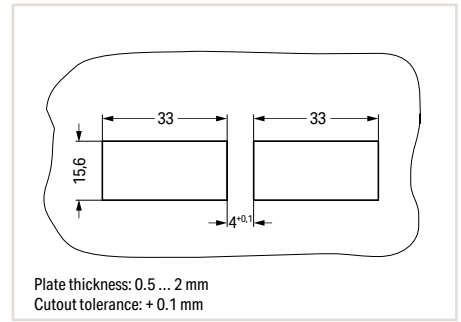
Snap-on type strain relief housings for:

- two 3-pole sockets
- two 3-pole plugs
- 3-pole socket and plug

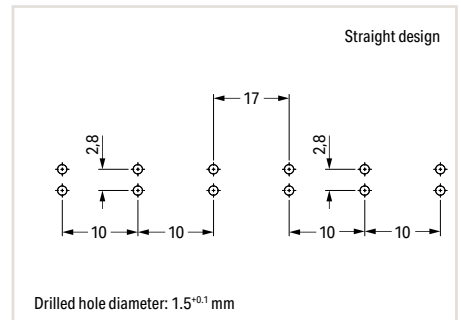
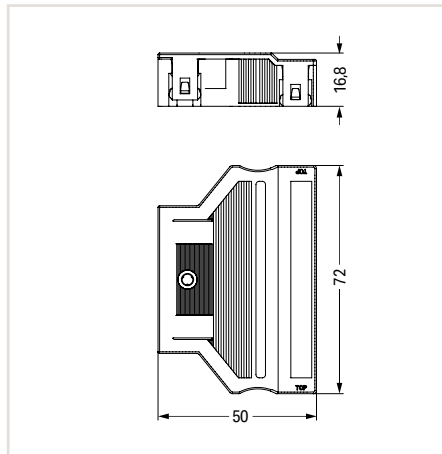


Strain relief housing; for two cables;  
for 8.5 ... 13.5 mm cable diameter; 55 mm strip length

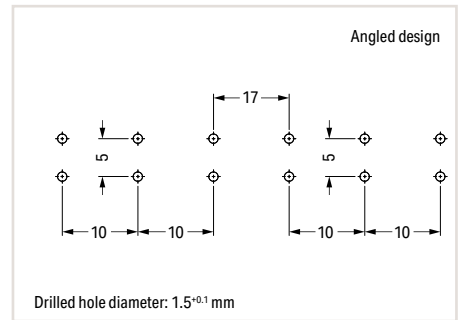
Color	Item No.	PU
black	770-506/029-000	20
white	770-516/029-000	20



Using a 6-pole strain relief housing with snap-in connectors requires the cutout dimensions shown above.



Using a straight, 6-pole PCB connector requires the hole patterns shown above.



Using an angled, 6-pole PCB connector requires the hole patterns shown above.

## Accessories ▶ WINSTA® MIDI ▶ 770 Series 7-Pole



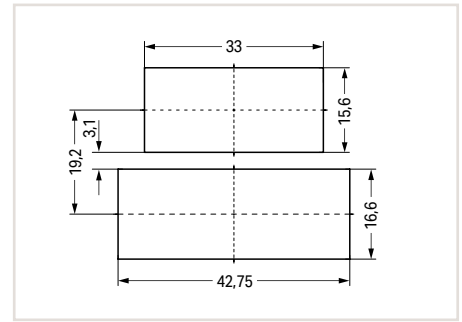
Snap-on type strain relief housings for:

- 3-pole socket or plug
- 4-pole socket or plug



Strain relief housing; for one cable; 8 ... 15 mm cable diameter; 55 mm strip length

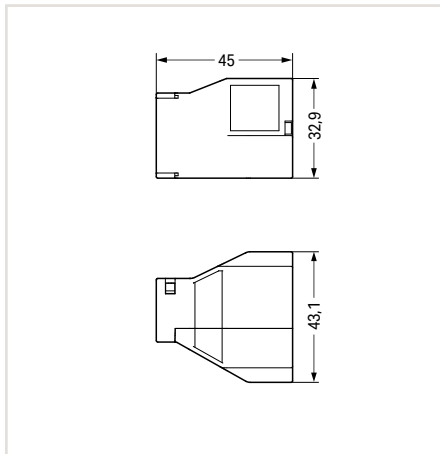
Color	Item No.	PU
black	770-507/047-000	200
white	770-517/047-000	200



Using a 7-pole strain relief housing with snap-in connectors requires the cutout dimensions shown above.



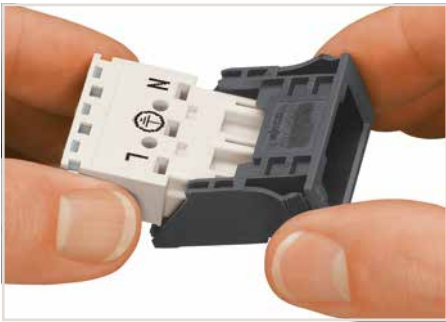
Flying leads  
(NOTICE: Only use locking levers on upper position)



Flying leads



## Accessories ▶ WINSTA® MIDI ▶ 770 Series



Insert the socket or plug into the frame (observe the "TOP" marking on the frame!), then snap the assembled unit into the cutout (example shows a 3-pole connector).

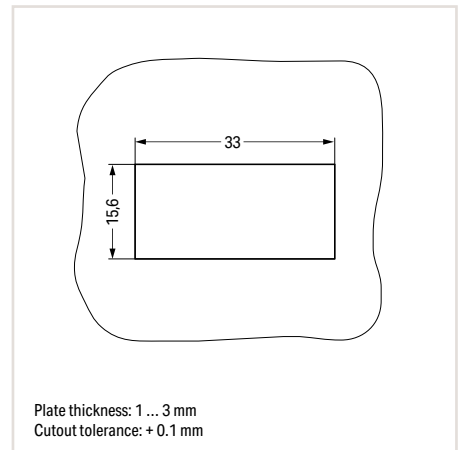
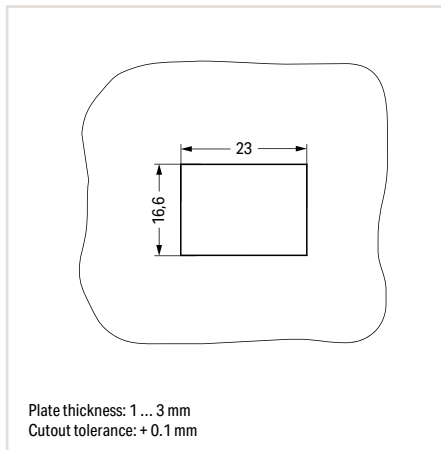
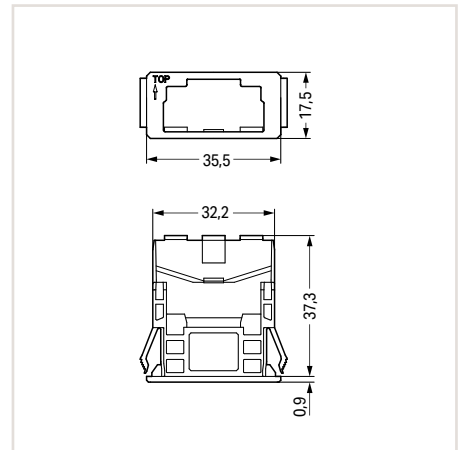
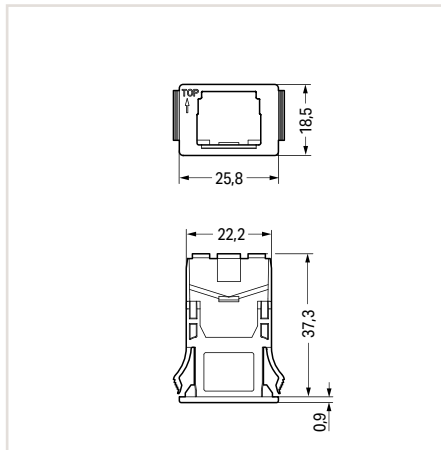


Snap-in frame; for 2-pole sockets and plugs;  
for 1 ... 3 mm plate thickness

Color	Item No.	PU
black	770-317	100
white	770-337	100

Snap-in frame; for 3-pole sockets and plugs;  
for 1 ... 3 mm plate thickness

Color	Item No.	PU
black	770-318	100
white	770-338	100



Accessories ▶ WINSTA® MIDI ▶ 770 Series



Snap-in frame; for 4-pole sockets and plugs;  
for 1 ... 3 mm plate thickness

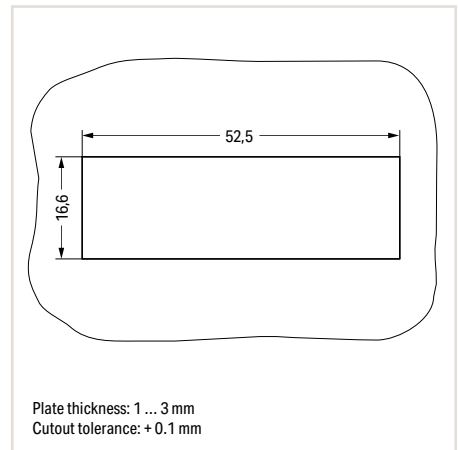
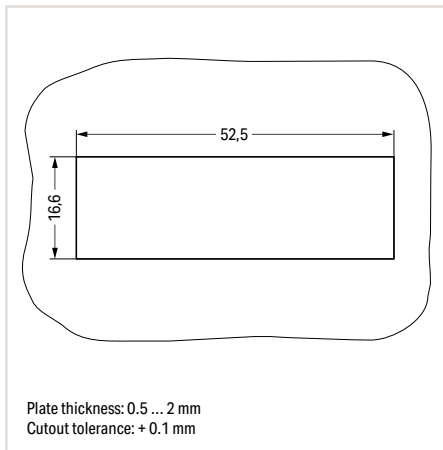
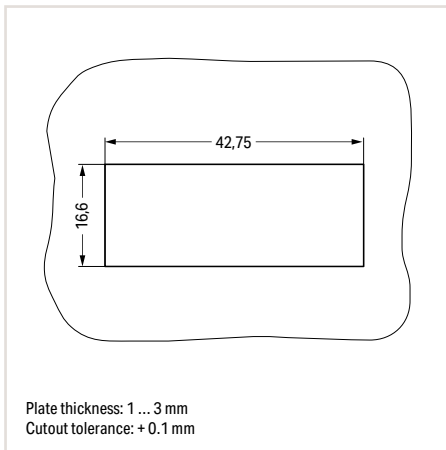
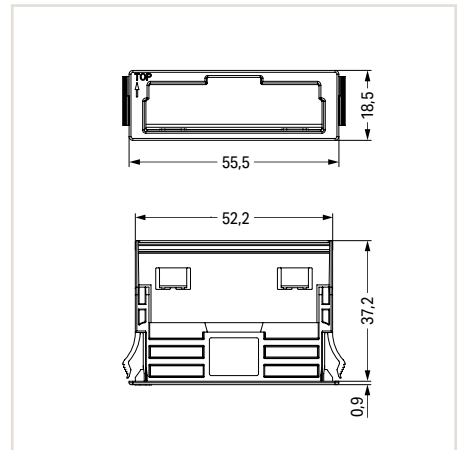
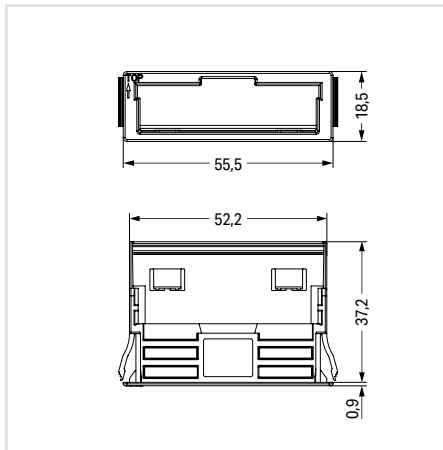
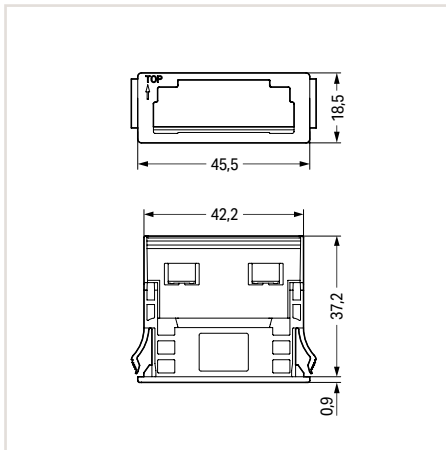
Color	Item No.	PU
black	770-319	100
white	770-339	100

Snap-in frame; for 5-pole sockets and plugs;  
for 0.5 ... 2 mm plate thickness

Color	Item No.	PU
black	770-321	100
white	770-341	100

Snap-in frame; for 5-pole sockets and plugs;  
for 1 ... 3 mm plate thickness; for A-coding/B/I/P/Q

Color	Item No.	PU
black	770-320	100
white	770-340	100



PU = Packaging Unit; SPU = Subpackaging Unit; Dimensions in mm

**Accessories ▶ WINSTA® RD ▶ 774 Series**

Protective cap; type 1;  
for 774 series: 3- and 4-pole

Color	Item No.	PU
red	897-2001	25

## Accessories ▶ WINSTA® Boxes ▶ 899 Series



Adapter for distribution boxes; for WINSTA® MINI connectors; 2-pole		
Color	Item No.	PU
gray	890-302	50



Mounting pin for distribution boxes; for WINSTA® MIDI connectors		
Color	Item No.	PU
gray	770-630	100



Mounting plate; for distribution boxes		
	Item No.	PU
	770-680	25

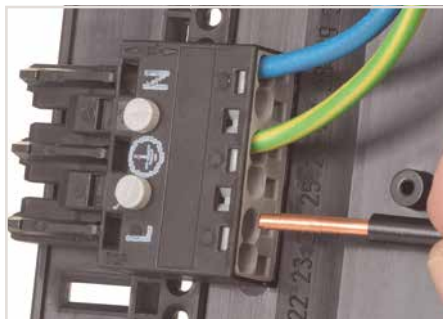
Adapter for distribution boxes; for WINSTA® MINI connectors; 3-pole		
Color	Item No.	PU
gray	890-303	50

Adapter for distribution boxes; for WINSTA® MINI connectors; 4-pole		
Color	Item No.	PU
gray	890-304	50

Adapter for distribution boxes; for WINSTA® MINI connectors; 5-pole		
Color	Item No.	PU
gray	890-305	50



Using adapters to install WINSTA® MINI connectors in a distribution box.



Using mounting pins to secure WINSTA® MIDI connectors in a distribution box.



Wall-mounted WINSTA® Distribution Box

## Accessories ▶ WINSTA® IDC ▶ 772 Series



Mounting plate; for supply and tap-off modules

Color	Item No.	PU
black	772-260	10



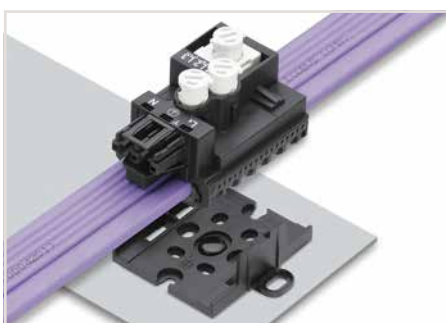
Mounting pin; for mounting plates; 6 mm Ø; 1 ... 2.5 mm plate thickness

Color	Item No.	PU
black	770-601	250



Lockout cap; for socket; separable; 12-pole

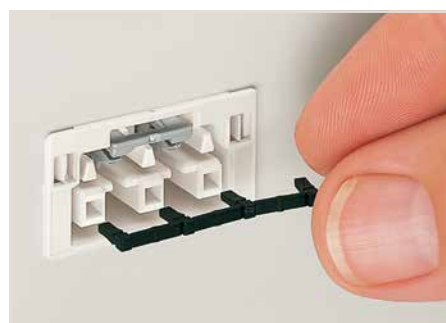
Color	Item No.	PU
black	770-201	100
white	770-221	100



Snapping a supply or tap-off module onto a mounting plate.



The mounting plate can be centrally mounted, or attached via outboard attachment points using 770-601 Mounting Pins.



Seal an unmated socket by simply inserting a lockout cap. This prevents the smallest particles from entering the socket.

## Accessories ▶ WINSTA® IDC ▶ 895 Series



Cable fitting; M 40 x 1.5; clamping range: 20 ... 26 mm Ø; with O-ring gasket; plastic

Color	Item No.	PU
black	895-1601	5



Cable fitting; M 25 x 1.5; clamping range: 20 ... 26 mm Ø; with O-ring gasket; brass

Color	Item No.	PU
brass	895-1604	5



Filler plug; M 25 x 1.5; with O-ring gasket; plastic

Color	Item No.	PU
black	895-1605	5

Cable fitting; M 25 x 1.5; clamping range: 9 ... 16 mm Ø; with O-ring gasket; plastic

Color	Item No.	PU
gray	895-1602	5

Cable fitting; M 25 x 1.5; clamping range: 13 ... 18 mm Ø; with O-ring gasket; plastic

Color	Item No.	PU
gray	895-1603	5



Tap-off module with brass cable fitting

Accessories ▶ WINSTA® IDC ▶ 897 Series



Mounting clamp; for screw mounting; for 2 x 1.5 mm<sup>2</sup>, 5 x 2.5 mm<sup>2</sup>, 5 x 4 mm<sup>2</sup> and 5 x 2.5 mm<sup>2</sup> + 2 x 1.5 mm<sup>2</sup> flat cables

Color	Item No.	PU
gray	897-878	100

Mounting clamp; for screw mounting; for 3 x 2.5 mm<sup>2</sup> flat cables

Color	Item No.	PU (SPU)
dark gray	897-839	200(25)

Mounting clamp; for screw mounting; for 5 x 10 mm<sup>2</sup> flat cables

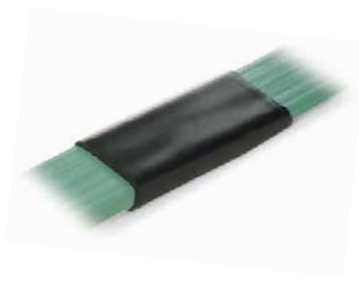
Color	Item No.	PU
dark gray	897-859	100

8

## Accessories ▶ WINSTA® IDC ▶ 897 Series



Flat cable end cover; for 2 x 1.5 mm² flat cables; plastic		
Color	Item No.	PU
transparent	897-120	10



Insulating tape; for 2 x 1.5 mm² to 5 x 10 mm² flat cables		
Color	Item No.	PU
black	897-900	10



Flat cable; 2 x 1.5 mm²; PVC		
Color	Item No.	PU
light gray	897-121	1

Flat cable end cover; for 3 x 2.5 mm² flat cables; plastic		
Color	Item No.	PU
transparent	897-230	25

Insulating tape; for 5 x 16 mm² flat cables		
Color	Item No.	PU
black	897-901	10

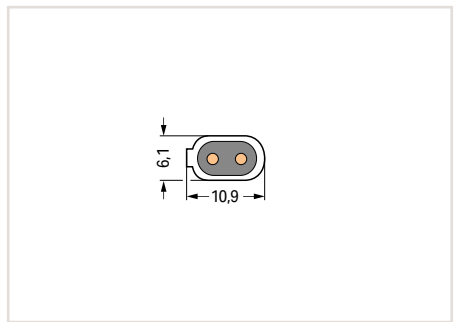
Flat cable; 2 x 1.5 mm²; halogen-free		
Color	Item No.	PU
light gray	897-122	1

Flat cable end cover; for 5 x 2.5 mm² and 5 x 4 mm² flat cables; plastic		
Color	Item No.	PU
transparent	897-250	25

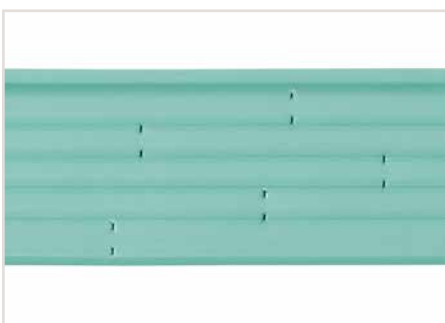
Flat cable end cover; for 5 x 2.5 mm² and 2 x 1.5 mm² flat cables; plastic		
Color	Item No.	PU
transparent	897-260	25

Flat cable end cover; for 5 x 10 mm² flat cables; plastic		
Color	Item No.	PU
transparent	897-1050	10

Flat cable end cover; for 5 x 16 mm² flat cables; plastic		
Color	Item No.	PU
transparent	897-1650	4



Fit end cover to each flat cable end.



Use insulating tape to seal the contact holes in the flat cable after removing a module.

PU = Packaging Unit; SPU = Subpackaging Unit; Dimensions in mm



## Accessories ▶ WINSTA® IDC ▶ 897 Series



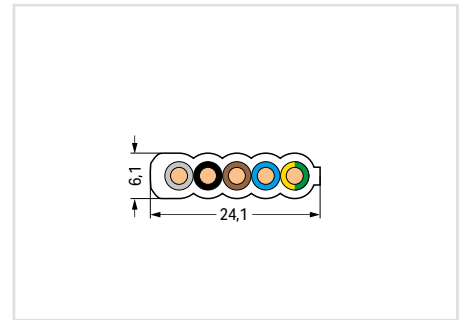
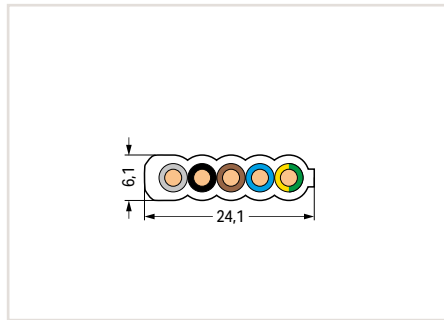
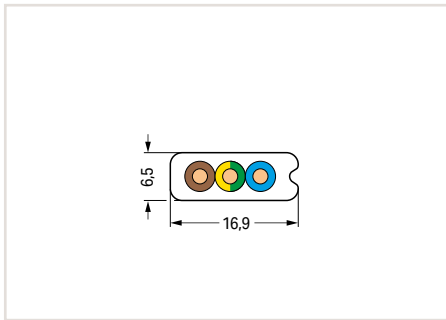
Flat cable; 3 x 2.5 mm <sup>2</sup> ; PVC		
Color	Item No.	PU
light gray	897-231	1

Flat cable; 5 x 2.5 mm <sup>2</sup> ; PVC		
Color	Item No.	PU
light green	897-251	1

Flat cable; 5 x 4 mm <sup>2</sup> ; halogen-free		
Color	Item No.	PU
black	897-453	1

Flat cable; 3 x 2.5 mm <sup>2</sup> ; halogen-free		
Color	Item No.	PU
light gray	897-232	1

Flat cable; 5 x 2.5 mm <sup>2</sup> ; halogen-free		
Color	Item No.	PU
light green	897-252	1



Accessories ▶ WINSTA® IDC ▶ 897 Series



Flat cable; 5 x 2.5 mm <sup>2</sup> + 2 x 1.5 mm <sup>2</sup> ; PVC		
Color	Item No.	PU
violett	897-261	1



Flat cable; 5 x 10 mm <sup>2</sup> ; PVC		
Color	Item No.	PU
light gray	897-1051	1

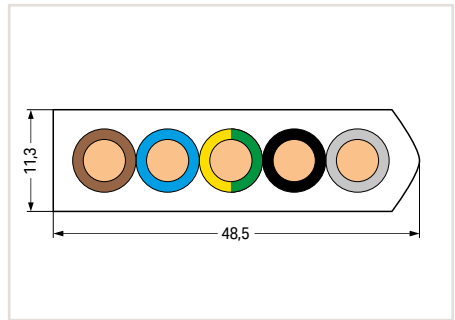
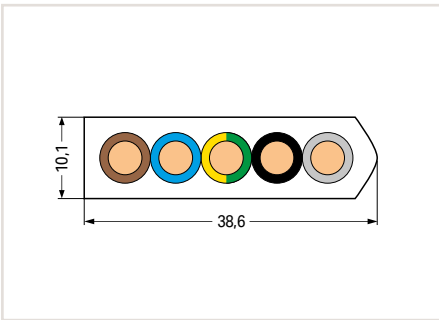
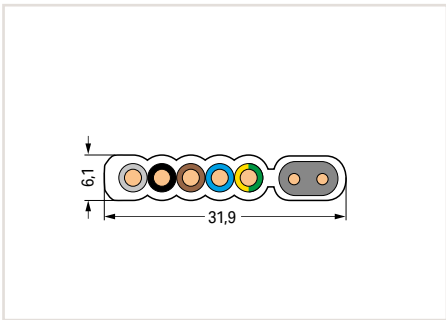


Flat cable; 5 x 16 mm <sup>2</sup> ; PVC		
Color	Item No.	PU
light gray	897-1651	1

Flat cable; 5 x 2.5 mm <sup>2</sup> + 2 x 1.5 mm <sup>2</sup> ; halogen-free		
Color	Item No.	PU
violett	897-262	1

Flat cable; 5 x 10 mm <sup>2</sup> ; halogen-free		
Color	Item No.	PU
light gray	897-1052	1

Flat cable; 5 x 16 mm <sup>2</sup> ; halogen-free		
Color	Item No.	PU
light gray	897-1652	1



PU = Packaging Unit; SPU = Subpackaging Unit; Dimensions in mm

## Operating Tools ► WINSTA®



Operating tool with a partially insulated shaft; type 1; (2.5 x 0.4) mm blade

Color	Item No.	PU
green	210-719	50

Operating tool set; with a partially insulated shaft; includes 210-719, 210-720 and 210-721

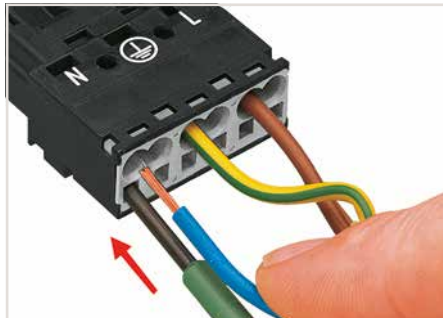
Color	Item No.	PU
green	210-722	1

Operating tool with a partially insulated shaft; type 2; (3.5 x 0.5) mm blade

Color	Item No.	PU
green	210-720	50

Operating tool with a partially insulated shaft; type 3; (5.5 x 0.8) mm blade

Color	Item No.	PU
green	210-721	25



The blade dimensions of the above-listed operating tools are ideal for operating both WINSTA® Plugs and Sockets.



Set of operating tools in a box

## Operating Tools ▶ WINSTA®



Operating tool with a partially insulated shaft; (6.5 x 1.4) mm blade		
Color	Item No.	PU
green	210-636	50



Operating tool; partially insulated; for WINSTA® MINI connectors; 2-pole		
Color	Item No.	PU
green	890-382	50



Operating tool; partially insulated; for WINSTA® MIDI connectors; 2-pole		
Color	Item No.	PU
green	770-382	50

Operating tool; short version; (6.5 x 1.4) mm		
Color	Item No.	PU
green	210-635	30

Operating tool; partially insulated; for WINSTA® MINI connectors; 3-pole		
Color	Item No.	PU
green	890-383	50

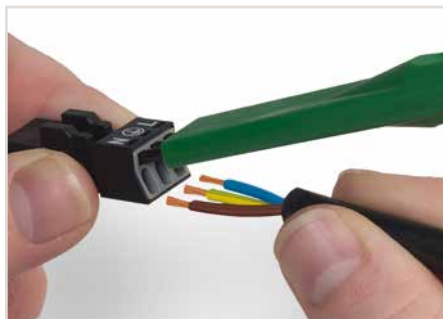
Operating tool; partially insulated; for WINSTA® MIDI connectors; 3-pole		
Color	Item No.	PU
green	770-383	50

Operating tool; partially insulated; for WINSTA® MINI connectors; 4-pole		
Color	Item No.	PU
green	890-384	50

Operating tool; partially insulated; for WINSTA® MINI connectors; 5-pole		
Color	Item No.	PU
green	890-385	50



Operating tools are ideally suited to operate IDC modules (772 Series).



To terminate fine-stranded conductors, open clamping units via operating tool (890-383) and insert stripped conductors until they hit backstop.

## Stripping Tools ▶ WINSTA®



Cable knife; for Ø 8 ... 28 mm / 0.31 ... 1.10 inch; with a unique, changeable cable bracket system; including cable bracket

	Item No.	Pack. Unit
	206-1403	1

### Item-Specific Accessories


Cable bracket; for Ø 4 ... 16 mm / 0.16 ... 0.63 inch

	206-1411	1
--	----------	---

Cable bracket; for Ø 8 ... 28 mm / 0.31 ... 1.10 inch

	206-1412	1
--	----------	---

Cable bracket; for Ø 27 ... 35 mm / 1.06 ... 1.38 inch

	206-1413	1
--	----------	---

Cable bracket; for Ø 35 ... 50 mm / 1.38 ... 1.97 inch

	206-1414	1
--	----------	---

Cable bracket; for Ø 50 ... 70 mm / 1.97 ... 2.75 inch

	206-1415	1
--	----------	---

### Accessories

Spare inside blade

	206-1418	3
--	----------	---



Wire stripper "Quickstrip Vario"; 0.03 ... 16 mm<sup>2</sup> / 34 ... 6 AWG; with wire cutter

	Item No.	Pack. Unit
	206-1125	1

### Accessories

Blade set; Standard; 0.03 ... 16 mm<sup>2</sup> / 34 ... 6 AWG

	206-1126	1
---	----------	---

Blade set; V-blade; 0.14 ... 4 mm<sup>2</sup> / 24 ... 12 AWG

	206-1127	1
---	----------	---

Blade set; Oval blade; 10 ... 16 mm<sup>2</sup> / 8 ... 6 AWG

	206-1128	1
---	----------	---

Spare stripping stop

	206-1129	1
---	----------	---

Spare cut protector

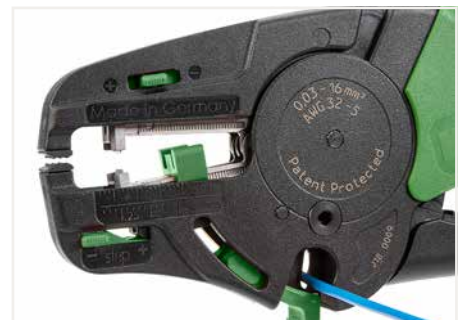
	206-1131	1
---	----------	---

Spare clamping jaws

	206-1132	1
---	----------	---



Partially stripping a conductor.



Cutting a conductor.

### Wire Stripper:

- Automatically adjust to conductor size
- Stripping blades cause no damage to conductor strands
- Gripping pressure of jaws adjusts automatically to conductor insulation diameter
- Clamping jaws and stripping blades automatically open once the stripping process is completed – no splaying of the conductor strands
- Exact strip length may be set by sliding black setting stop
- Stripping blades can be replaced
- Self-sharpening, fully protected cutter (replaceable)
- Entire body made of glass-fiber-reinforced polyamide
- Cutting capacity of the wire cutter of fine-stranded conductors up to 16 mm<sup>2</sup> (6 AWG)

8



## Stripping Pliers, Cable Cutters, Stripping Knives ▶ WINSTA®



Stripping pliers; with insulated handles; for 3 x 2.5 mm<sup>2</sup> flat cables

Color	Item No.	PU
red	897-931	1



Cable cutter; with partially insulated handles; for 5 x 6 mm<sup>2</sup> flat cables

Color	Item No.	PU
red	897-960	1



Stripping knife; for 5 x 10 mm<sup>2</sup> flat cable

Color	Item No.	PU
light gray	897-951	1



Stripping pliers; with insulated handles; for 2 x 1.5 mm<sup>2</sup>, 5 x 2.5 mm<sup>2</sup>, 5 x 4 mm<sup>2</sup> and 5 x 2.5 mm<sup>2</sup> + 2 x 1.5 mm<sup>2</sup> flat cables

Color	Item No.	PU
red	897-971	1



Cable cutter; with partially insulated handles; for 2 x 1.5 mm<sup>2</sup>, 5 x 2.5 mm<sup>2</sup>, 5 x 4 mm<sup>2</sup> and 5 x 2.5 mm<sup>2</sup> + 2 x 1.5 mm<sup>2</sup> flat cables

Color	Item No.	PU
red	897-972	1



Stripping knife; for 5 x 16 mm<sup>2</sup> flat cable

Color	Item No.	PU
light gray	897-952	1



Cut off the flat cable insulation via cable cutter.



Cut both flat cable insulation sides via stripping knife.

## Cable Cutter and Wiring Aid ► WINSTA®



Cable cutter; per VDE; for copper and aluminum cables; 0.25 ... 35 mm<sup>2</sup>

Color	Item No.	PU (SPU)
green	206-118	10(1)



Wiring aid; for 5-pole connectors; distribution connectors with phase selection and IDC supply modules; suitable for solid and stranded conductors

Color	Item No.	PU (SPU)
orange	770-100	20(1)



Cutting a cable.



Strip outer insulation, insert cable into the wiring aid and arrange the single conductors according to the marking, starting with N. Cut conductor ends to the proper length.



Strip conductor ends to a length of 9 mm (see marking). Slide connector to the stop over conductor ends.



## Markers and Marking Strips ▶ WINSTA®



Marker; for manual marking		
Color	Item No.	PU
white	770-450	50
green	770-450/000-001	50
yellow	770-450/000-002	50
red	770-450/000-005	50
blue	770-450/000-006	50
orange	770-450/000-012	50

Self-adhesive marking strips; on DIN A4 cards; 182 mm long; 6 mm (40 x) high; for 770 Series		
Color	Item No.	PU (SPU)
white	210-333	100(1)

Self-adhesive marking strips; on DIN A4 cards; 182 mm long; 5 mm (48 x) high; for 771 Series		
Color	Item No.	PU (SPU)
white	210-334	100(1)



Distribution connector with marked cables



Marking area:  
 Strain relief; 3-pole; 28 x 6.5 mm  
 Strain relief; 4-pole; 38 x 6.5 mm  
 Strain relief; 5-pole; 48 x 6.5 mm  
 Strain relief; 6-pole; 62 x 6.5 mm



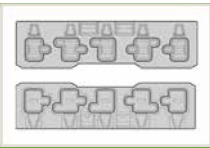
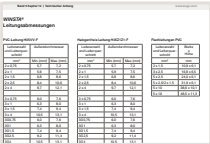




Marking area:  
 Strain relief; 3-pole; 22 x 5.2 mm  
 Strain relief; 4-pole; 32 x 5.2 mm  
 Strain relief; 5-pole; 42 x 5.2 mm





## Technical Section


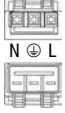



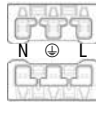
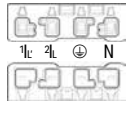
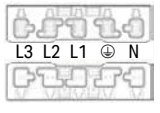

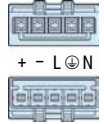
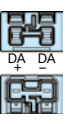
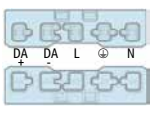

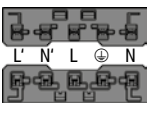






# Technical Section

	Page
	Coding Overview Pole Markings 408 410
	Cable Dimensions 412
	International Certification Organizations 414
	Electrical Engineering Laboratory 416
	Seminars 418
	Environmental Protection 420

# WINSTA®

## Coding Configurations



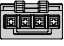













































### 770, 771, 772, 831, 890, 891, 893, 894 and 899 Series

Description	WINSTA® MINI				WINSTA® MIDI			
	2-pole	3-pole	4-pole	5-pole	2-pole	3-pole	4-pole	5-pole
Series	890/891	890/891	890/891	890/891	770/771	770/771	770/771	770/771
A-coding black white  e.g., general applications	 N L	 N ⊕ L	 1L 2L ⊕ N	 3 2 1 ⊕ N	 N L	 N ⊕ L	 1L 2L ⊕ N	 L3 L2 L1 ⊕ N
E-coding green KNX applications								
F-coding light gray specialty coding								
I-coding blue  for dimming function (e.g., DALI)	 - +			 + - L ⊕ N	 DA DA			 DA DA L ⊕ N
L-coding dark gray  e.g., emergency power supply					 N' L'			 L' N' L ⊕ N
P-coding red  e.g., computer applications (UPS)						 N ⊕ L		 L3 L2 L1 ⊕ N
Q-coding green  Clean ground applications							 L PE2 PE1 N	 L PE3 PE2 PE1 N
R-coding orange  e.g., LON® Bus						 S LON LON		
S-coding brown  e.g., switching applications						 L 2 1		

Description	WINSTA® MAXI	WINSTA® RD		WINSTA® KNX		WINSTA® IDC	
	5-pole	3-pole	4-pole	2-pole	2-pole	3-pole	5-pole
Series	831	774	774	893/894	893/894	772	772
A-coding black white  e.g., general applications							
E-coding green KNX applications							
F-coding light gray specialty coding							
I-coding blue  for dimming function (e.g., DALI)							
L-coding dark gray  e.g., emergency power supply							
P-coding red  e.g., computer applications (UPS)							
Q-coding green  Clean ground applications							
R-coding orange  e.g., LON® Bus							
S-coding brown  e.g., switching applications							

## WINSTA® MINI and MIDI

### B-Coding

Description	WINSTA® MINI				WINSTA® MIDI / WINSTA® IDC			
	2-pole	3-pole	4-pole	5-pole	2-pole	3-pole	4-pole	5-pole
Series	890/891	890/891	890/891	890/891	770/771	770/771/772	770/771	770/771/772
B-coding gray	 2 1	 3 2 1	 4 3 2 1	 5 4 3 2 1	 2 1	 3 2 1	 4 3 2 1	 5 4 3 2 1
Control and general applications (110 ... 400 V mains applications)								
B-coding light green	 2 1	 3 2 1	 4 3 2 1	 5 4 3 2 1	 2 1	 3 2 1	 4 3 2 1	 5 4 3 2 1
Control and general applications (0 ... 48 V low voltages)								
B-coding pink	 2 1	 3 2 1	 4 3 2 1	 5 4 3 2 1	 2 1	 3 2 1	 4 3 2 1	 5 4 3 2 1
Control and general applications (bus applications)								

#### 9 Important note:

B-Coded components within the WINSTA® MINI and WINSTA® MIDI families are designed for specialty applications (e.g., measurement, control and regulation technology) and certified per DIN EN 61984. In addition to the gray models rated from 110 to 400 V, there is now also a variant in light green for low voltages up to 48 V, as well as a pink one for bus applications.

Each of the three versions is available in 2-, 3- or 4- and 5-pole configurations. Pole marking can be printed at the factory to suit customer requirements. B-coded products are protected against mismatching with all other coding types found in the WINSTA® system. Within B-coding, all variants can mate with each other. The variable coding system provides clear circuit identification. All variants can be clearly differentiated according to color and pole marking. They can be coded on-site or delivered with factory-installed custom coding.

## WINSTA® MINI and MIDI ▶ Coding: B Pole Markings

Suffix Number	Marking				Application
	2-pole	3-pole	4-pole	5-pole	
without	1 2	1 2 3	1 2 3 4	1 2 3 4 5	General
/060-000 MINI MIDI	L N	L ⊕ N	N ⊕ <sup>2</sup> IL <sup>1</sup> IL'	N ⊕ 1 2 3 N ⊕ L1 L2 L3	Standard 230 V/400 V network application
/062-000		2 PE 1	3 PE 2 1	N PE 3 2 1	Fan Step switching
/064-000			2L ⊕ 1L L	N ⊕ L 2L 1L	230 V + switched
without	1 2	1 2 3	1 2 3 4	1 2 3 4 5	General
/071-000		U+ X/Y U-	U- S U+ X/Y		AI / AO 0 ... 10 V
/072-000			U- U+ DI AI		Presence detector incl. light sensor
/073-000		1 ⊕ 2	1 ⊕ 2 3	1 ⊕ 2 3 4	Control Signal incl. Ground
without	1 2	1 2 3	1 2 3 4	1 2 3 4 5	General
/080-000	I+ I-			N ⊕ L I- I+	SMI bus
/081-000		1 2 5	1 2 5 3		MP-Bus
/082-000	+ -	+ S -		N ⊕ L - +	Standard fieldbus applications

Distribution connectors and cable assemblies with above-mentioned pole markings are available upon request.

Item number example:

WINSTA® MIDI, plug, 4-pole, light green, with U- U+ DI AI pole marking

770-274/072-000

# WINSTA®

## Cable Dimensions

### H05VV-F PVC Cables

Number and Size of Conductors	Outer Diameter	
	Min. (mm)	Max. (mm)
mm <sup>2</sup>		
2 x 0.75	5.7	7.2
2 x 1	5.9	7.5
2 x 1.5	6.8	8.6
2 x 2.5	8.4	10.6
2 x 4	9.7	12.1
3 x 0.75	6.0	7.6
3 x 1	6.3	8.0
3 x 1.5	7.4	9.4
3 x 4	10.5	13.1
3G0.75	6.0	7.6
3G1	6.3	8.0
3G1.5	7.4	9.4
3G2.5	9.2	11.4
3G4	10.5	13.1
4 x 1	7.1	9.0
4 x 1.5	8.4	10.5
4G0.75	6.6	8.3
4G1	7.1	9.0
4G1.5	8.4	10.5
4G2.5	10.1	12.5
4G4	11.5	14.3
5G0.75	7.4	9.3
5G1	7.8	9.3
5G1.5	9.3	11.6
5G2.5	11.2	13.9

### H05Z1Z1-F Halogen-Free Cables

Number and Size of Conductors	Outer Diameter	
	Min. (mm)	Max. (mm)
mm <sup>2</sup>		
2 x 0.75	5.7	7.2
2 x 1	5.9	7.5
2 x 1.5	6.8	8.6
2 x 2.5	8.4	10.6
2 x 4	9.7	12.1
3 x 0.75	6.0	7.6
3 x 1	6.3	8.0
3 x 1.5	7.4	9.4
3 x 4	10.5	13.1
3G0.75	6.0	7.6
3G1	6.3	8.0
3G1.5	7.4	9.4
3G2.5	9.2	11.4
3G4	10.5	13.1
4 x 1	7.1	9.0
4 x 1.5	8.4	10.5
4G1	7.1	9.0
4G1.5	8.4	10.5
4G2.5	10.1	12.5
5G1	7.8	9.3
5G1.5	9.3	11.6
5G2.5	11.2	13.9
5G4	13.0	16.1

### PVC Flat Cables

Number and Size of Conductors	Width x Height
	mm
mm <sup>2</sup>	
2 x 1.5	10.9 x 6.1
3 x 2.5	16.9 x 6.5
5 x 2.5	24.0 x 6.1
5 x 2.5/2 x 1.5	31.9 x 6.1
5 x 10	38.6 x 10.1
5 x 16	48.5 x 11.3














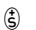








### Halogen-Free Flat Cables








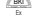
Number and Size of Conductors	Width x Height
	mm
mm <sup>2</sup>	
2 x 1.5	10.9 x 6.1
3 x 2.5	16.4 x 6.3
5 x 2.5	24.1 x 6.1
5 x 4	24.1 x 6.1
5 x 2.5/2 x 1.5	31.9 x 6.1
5 x 10	38.6 x 10.1
5 x 16	48.5 x 11.3





## International Certification Organizations – Overview

	Abbreviation		Abbreviation	
	Underwriters Laboratories USA <a href="http://www.ul.com">http://www.ul.com</a>	UL	 Danmarks Elektriske Materielkontrol Dänemark <a href="http://www.demko.dk">http://www.demko.dk</a>	DEMKO
	Underwriters Laboratories USA <a href="http://www.ul.com">http://www.ul.com</a>	UL	 CENELEC CERTIFICATION AGREEMENT Danmarks Elektriske Materielkontrol Dänemark <a href="http://www.cenelec.org">http://www.cenelec.org</a>	CCA Zul.-Nr. mit NL
Y	Underwriters Laboratories USA <a href="http://www.ul.com">http://www.ul.com</a>	cURus		
	Underwriters Laboratories USA <a href="http://www.ul.com">http://www.ul.com</a>	cULus	 SETI – FEMKO Sähkötarastuskeskus Elinspektionscentralen Finnland <a href="http://www.seti.fi">http://www.seti.fi</a>	
	Canadian Standards Association Kanada <a href="http://www.csa.ca">http://www.csa.ca</a>	CSA		
	VDE-Gutachten mit Fertigungsüberwachung Bundesrepublik Deutschland <a href="http://www.vde.de/vde/html/e/home.htm">http://www.vde.de/vde/html/e/home.htm</a>	VDE	 Sähkötarastuskeskus Elinspektionscentralen Finnland <a href="http://www.fimko.com">http://www.fimko.com</a>	FIMKO
	VDE – Deutscher Verband für Elektrotechnik Bundesrepublik Deutschland <a href="http://www.vde.de">http://www.vde.de</a>		<b>SABS</b> South African Bureau of Standards Süd-Afrika <a href="http://www.sabs.co.za">http://www.sabs.co.za</a>	SABS
VDE	VDE – Prüfbericht Bundesrepublik Deutschland		 RosTeST Russland <a href="http://www.rostest.ru">http://www.rostest.ru</a>	ROTEST
	Österreichischer Verband für Elektrotechnik Österreich <a href="http://www.ove.at">http://www.ove.at</a>	ÖVE	 Departamentul Moldovastandard Moldawien <a href="http://www.moldova.md/ro/government/oil/D_STAND/en/strcent2.htm">http://www.moldova.md/ro/government/oil/D_STAND/en/strcent2.htm</a>	CSM
	Schweizerischer Elektrotechnischer Verein Schweiz <a href="http://www.sev.ch/">http://www.sev.ch/</a>	SEV	 Certificate of Registration Großbritannien <a href="http://www.astacertification.com">http://www.astacertification.com</a>	ASTA
	N.V. tot Keuring van Elektrotechnische Materialen Niederlande <a href="http://www.kema.nl">http://www.kema.nl</a>	KEMA	 Rheinisch-Westfälischer Technischer Überwachungsverein e.V. Bundesrepublik Deutschland <a href="http://www.rwtuv.de">http://www.rwtuv.de</a>	RWTÜV
CCA	CENELEC CERTIFICATION AGREEMENT N.V. tot Keuring van Elektrotechnische Materialen Niederlande <a href="http://www.cenelec.org">http://www.cenelec.org</a>	CCA Zul.-Nr. mit NL	 Elektrotechnický ústav projektový ústav Tschechien <a href="http://www.ezu.cz">http://www.ezu.cz</a>	EZU
	Norges Elektriske Materialkontroll Norwegen <a href="http://express.nemko.com">http://express.nemko.com</a>	NEMKO	 Stowarzyszenie Elektryków Polskich Polen <a href="http://www.sep.com.pl">http://www.sep.com.pl</a>	BBJ
	Svenska Elektriska Materielkontrollanstalten AB Schweden <a href="http://www.semko.com">http://www.semko.com</a>	SEMKO	 Stowarzyszenie Elektryków Polskich Polen <a href="http://www.bbj.pl">http://www.bbj.pl</a>	SEP

		Abbreviation			Abbreviation
<b>CNET</b>	Centre National d'Etudes des Télécommunications Frankreich <a href="http://www.lannion.cnet.fr">http://www.lannion.cnet.fr</a>	<b>CNET</b>		Robbanásbiztos Villamos Berendezések Ungarn <a href="http://www.bki.hu">http://www.bki.hu</a>	<b>BKI</b>
<b>LCIE</b>	Laboratoire Central des Industries Electriques Frankreich <a href="http://www.lcie.fr">http://www.lcie.fr</a>	<b>LCIE</b>	<b>CB</b>	<b>CB – TEST CERTIFICATE</b> Indien <a href="http://www.ul-europe.com">http://www.ul-europe.com</a>	<b>CB</b>
	Fyzikální Technický Ústav, Ostrava-Radvanice Tschechien <a href="http://www.ftzu.cz">http://www.ftzu.cz</a>	<b>FTZU</b>	<b>CB</b>	<b>CB – TEST CERTIFICATE</b> China <a href="http://www.ul-europe.com">http://www.ul-europe.com</a>	<b>CB</b>
<b>Marine Approvals</b>				<b>UL-International Demko A/S</b> Dänemark <a href="http://www.ul-europe.com">http://www.ul-europe.com</a>	<b>ENEC</b>
	Germanischer Lloyd Bundesrepublik Deutschland <a href="http://www.gl-group.com">http://www.gl-group.com</a>	<b>GL</b>	<b>Ex Approvals</b>		
	Bureau Veritas Frankreich <a href="http://www.bureauveritas.fr">http://www.bureauveritas.fr</a>	<b>BV</b>		Physikalisch Technische Bundesanstalt Bundesrepublik Deutschland Ex e II <a href="http://www.ptb.de">http://www.ptb.de</a>	<b>PTB</b>
	Lloyd's Register of Shipping Großbritannien <a href="http://www.lloydsregister.com">http://www.lloydsregister.com</a>	<b>LR</b>		Underwriters Laboratories USA <a href="http://www.ul.com">http://www.ul.com</a>	<b>cURus-EX</b>
	NV – Det Norske Veritas Norwegen <a href="http://www.dnv.com">http://www.dnv.com</a>	<b>DNV</b>		N.V. tot Keuring van Elektrotechnische Materialien Niederlande <a href="http://www.kemaquality.com">http://www.kemaquality.com</a>	<b>KEMA-EX</b>
	Russian Maritime Register of Shipping GUS <a href="http://www.rs-head.spb.ru">http://www.rs-head.spb.ru</a>	<b>RMR</b>	<b>GOSENERGO-Ex</b> <b>GOSENERGONADZOR</b> Russland		<b>GOSENERGO-EX</b>
	Polski Rejestr Statków Polen <a href="http://www.prs.pl">http://www.prs.pl</a>	<b>PRS</b>		Fyzikální Technický Ústav, Ostrava-Radvanice Tschechien <a href="http://www.ftzu.cz">http://www.ftzu.cz</a>	<b>FTZU</b>
	Korean Register of Shipping Korea <a href="http://www.krs.co.kr">http://www.krs.co.kr</a>	<b>KR</b>		Robbanásbiztos Villamos Berendezések Ungarn <a href="http://www.bki.hu">http://www.bki.hu</a>	<b>BKI-Ex</b>
	American Bureau of Shipping USA <a href="http://www.eagle.org">http://www.eagle.org</a>	<b>ABS</b>			

## Electrical Engineering Laboratory

### Product Safety for Our Customers

To use terminal blocks globally, they must satisfy certain standards and obtain test certificates. These requirements apply to every manufacturer. WAGO also conducts its own tests to increase standards and offer greater reliability with its products. Products undergo a full range of mechanical, electrical and climatic testing, and we'll share a few of those processes with you.

#### Pull-Out Test (per EN 60947-7-1, EN 60998-2-2)

During the pull-out force test, a conductor is pulled on until it is removed from the clamping unit. The design of the terminals means that extraction only occurs after the standard pull-out force has been exceeded many times over.

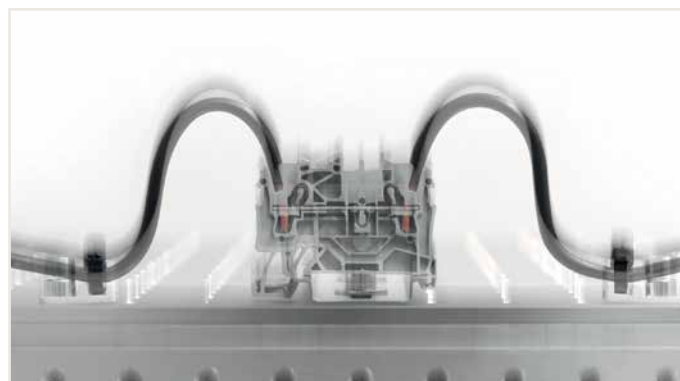
#### WAGO Test Lab

This means that WAGO's products can be used safely and reliably both in Europe and anywhere globally for a wide variety of applications. We heavily emphasize the importance of global acceptance during development. As a result, we can present documentation that verifies our high levels of product safety and reliability while ensuring the fulfillment and accuracy of technical data, which are the highest priorities for our customers and users worldwide. On December 22, 2009, our test lab was accredited by the German Accreditation Association (Deutsche Gesellschaft für Akkreditierung GmbH) in accordance with DIN EN ISO/IEC 17025.



#### Vibration Test (per IEC/EN 60068-2-6)

Depending on the application, such as railway (per EN 61373) or marine (per GL, LR, DNV), there are various testing requirements to determine if the long-term effects of vibrations degrade electrical connections. The test specimen is subjected to different loads on three axes in an electrodynamic vibration system. The amplitude, the acceleration, and particularly the frequency of the vibration vary during the test. The test values are increased many times over the standard values to meet special customer requirements.



#### Shock Test (per IEC/EN 60068-2-27)

The shock test is very similar to the vibration test except that, instead of continuous vibrations, single shocks are applied to the test specimen. Shock tests are usually performed, for example, at an acceleration of 20g over a period of 11 ms. Tests for special requirements often call for much higher values and are also conducted in our laboratory. Single-deck TOPJOB® S Rail-Mount Terminal Blocks, for example, pass shock tests up to 500g.



#### Voltage Drop Test under Bending Stress (per EN 60947-7-1, EN 60999-1)

The voltage drop test under bending stress simulates mechanical stress on the clamping unit. In everyday use, this stress can occur during installation, for example, when an electrician shoves connected conductors to the side in order to access a specific component. The quality of the clamping unit when moving a connected conductor can be validated by the constantly stable measured value of the voltage drop.





## Deutsche Akkreditierungsstelle GmbH

**Beliehene gemäß § 8 Absatz 1 AkkStelleG i.V.m. § 1 Absatz 1 AkkStelleGBV**  
Unterzeichnerin der Multilateralen Abkommen  
von EA, ILAC und IAF zur gegenseitigen Anerkennung

# Akkreditierung



Die Deutsche Akkreditierungsstelle GmbH bestätigt hiermit, dass

**das Prüflaboratorium WAGO Kontakttechnik GmbH & Co. KG**  
**Hansastraße 27, 32423 Minden**

die Kompetenz nach DIN EN ISO/IEC 17025:2018 besitzt, Prüfungen in folgenden Bereichen durchzuführen:

**Elektrische und mechanische Prüfungen an Klemmen und Steckverbinder  
sowie Umweltsimulation**

Die Akkreditierungsurkunde gilt nur in Verbindung mit dem Bescheid vom 24.05.2019 mit der Akkreditierungsnummer D-PL-19704-01. Sie besteht aus diesem Deckblatt, der Rückseite des Deckblatts und der folgenden Anlage mit insgesamt 08 Seiten.

**Registrierungsnummer der Urkunde: D-PL-19704-01-00**

Frankfurt am Main, 24.05.2019

Im Auftrag Dipl.-Ing. (FH) Ralf Egner  
Abteilungsleiter

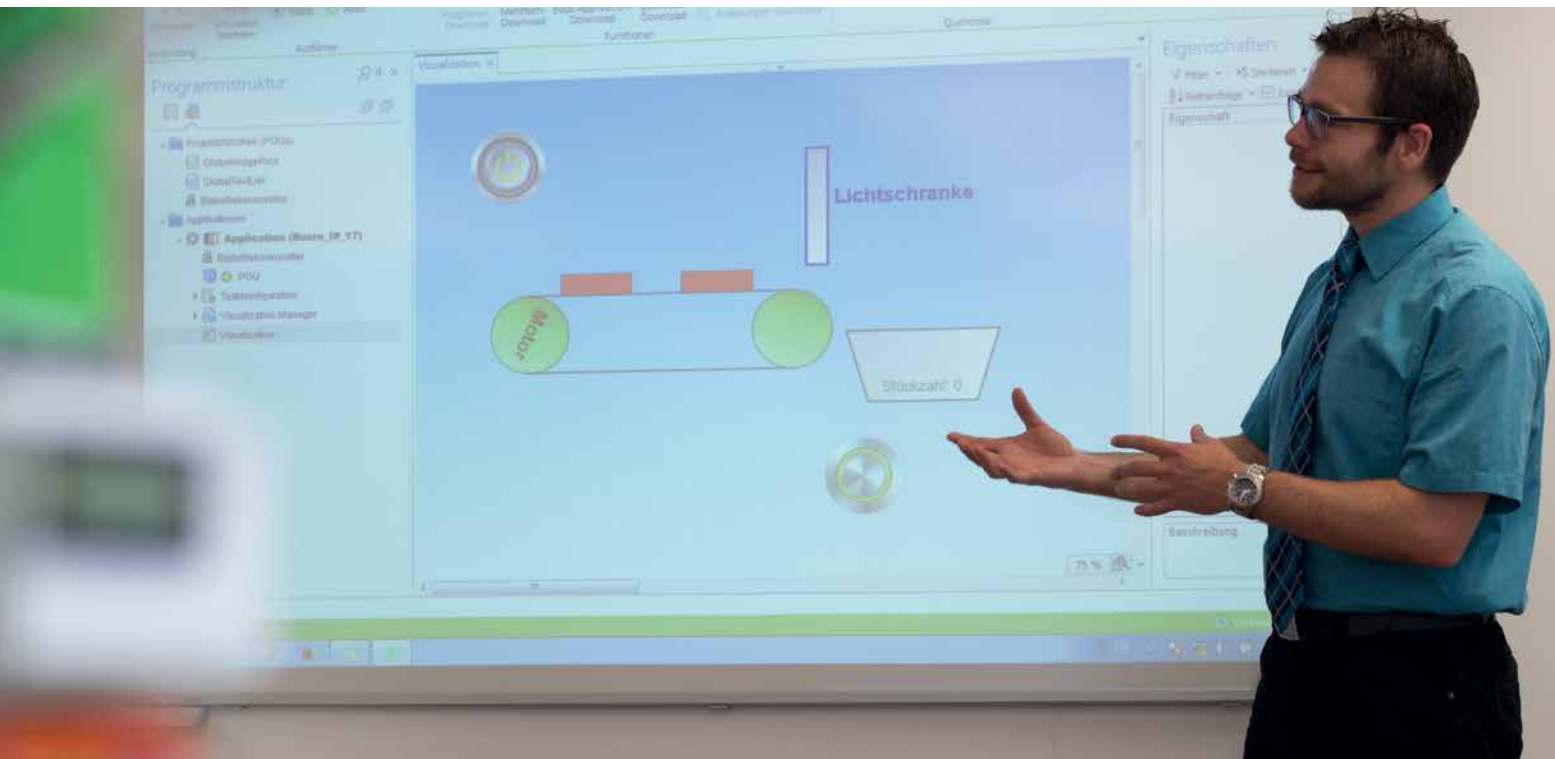
*Die Urkunde samt Urkundenanlage gibt den Stand zum Zeitpunkt des Ausstellungsdatums wieder. Der jeweils aktuelle Stand des Geltungsbereiches der Akkreditierung ist der Datenbank akkreditierter Stellen der Deutschen Akkreditierungsstelle GmbH (DAkKS) zu entnehmen. <https://www.dakks.de/content/datenbank-akkreditierter-stellen>*

Siehe Hinweise auf der Rückseite



## WAGO Seminars

### Learn Today – Benefit Tomorrow



## Setting the Bar with Your Goals

Product-Related and Customer-Specific Seminars



**Small Groups**

The small class sizes of WAGO training seminars ensures that no question goes unanswered and no one is overlooked.



**Teamwork**

Learning as a group is very effective. Ideas can be discussed and exchanged while experiences can be shared – all for the benefit of the participants.



**Practical Topics**

Experience has shown that practice makes perfect. This is why the focus of every WAGO training seminar is on practical, hands-on learning.

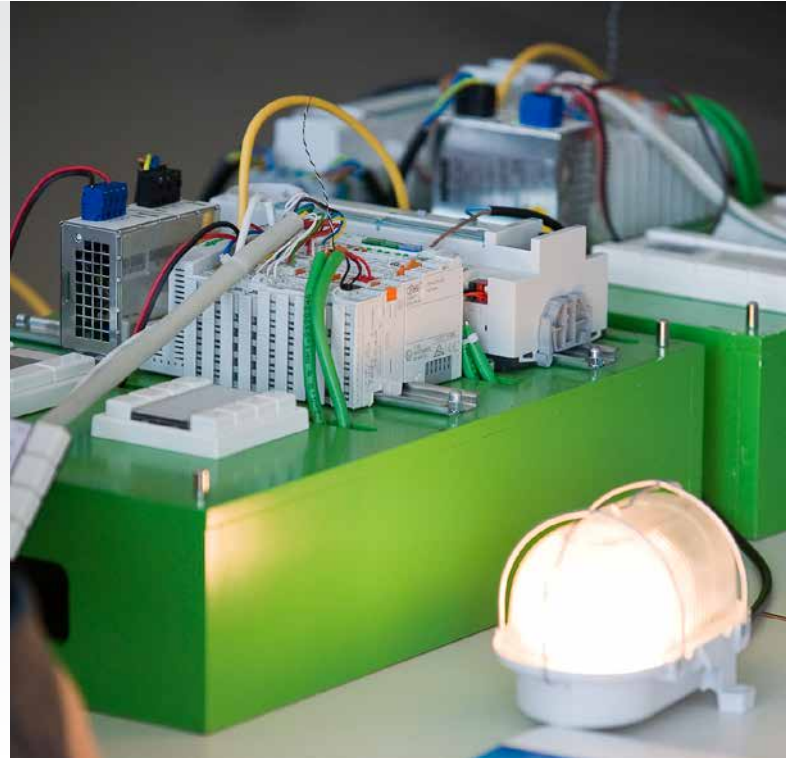
## WAGO Seminars

Experience the Benefits of First-Hand Knowledge and Expertise – Straight from the Source!

Our instructors are specialists who know all the ins and outs of WAGO's products. This ensures that the time devoted to each WAGO training seminar is an effective investment in expanding your own expertise.

Request your registration form by e-mail:  
**training@wago.com**

**Contact your local  
WAGO office.**



### Product-Related Seminars

We regularly offer product-related seminars on the following topics:

- Building and industrial automation
- Programming of automation components
- Fieldbus systems

**Current seminars:  
[www.wago.com](http://www.wago.com)**

### Customer-Specific Seminars

In addition to these "open" seminars, we also offer seminars specially tailored to your organization and its particular needs. that are specifically tailored to your organization.

Upon request, we can also conduct these seminars at your location.

**Special  
corporate seminars**

## Success for Generations: Environmental Protection at WAGO



At WAGO, we see environmental protection not only as compliance with environmental protection requirements.

As a growing company, our commitment to the environment drives our efforts to deliver new ideas, new concepts and new technologies along the product lifecycle. Here our employees and business partners support us.

### Corporate environmental protection

Business growth also leads to higher consumption of resources. We have realized that the economic success of a company also depends on the achievement of environmental goals.

As a manufacturing company, we therefore support developments that make a contribution to environmental protection. In doing so, we always pursue individual material flows along the value chain, because we see resources, product design, production and consumption as a whole.

With our environmental management system certified in accordance with DIN EN ISO 14001, we ensure that the required national and international requirements are complied with in all areas of the company and that the concept of environmental protection is practiced in all corporate processes. In addition, WAGO is pursuing further efforts in the field of environmental protection that go far beyond the requirements of ISO

Some examples include the recycling of plastics, resource savings on product and packaging materials, the use of recycled paper throughout the company, the introduction of e-filling stations and the use of waste heat from production processes.

### Product-related environmental protection

Product-related environmental protection is an important part of sustainable environmental management at WAGO. Ensuring compliance with substance bans / restrictions worldwide, such as: As REACH, RoHS has a high priority.

### RoHS – Restriction of the use of certain Hazardous Substances

It is an EC directive that regulates the use of certain hazardous substances in electrical and electronic equipment. In addition to reducing the harmful effects on humans and the environment, legislation aims to improve recycling possibilities. WAGO closely monitors the development regarding RoHS and reacts promptly to specifications accordingly. For more information about RoHS please contact us via [ehs-product-compliance@wago.com](mailto:ehs-product-compliance@wago.com).

RoHS   
Compliant

## Success for Generations: Environmental Protection at WAGO

### REACH – Registration, Evaluation and Authorisation of Chemicals

On 01.06.2007 the regulation (EC) no. 1907/2006 (REACH regulation) came into force and since then forms a valid legal basis for all EU member states. To protect human health and the environment, this EU Chemicals Regulation aims to classify and identify all chemicals, including their effects.

The REACH Regulation creates specific obligations for each actor in the supply chain. The products manufactured by WAGO are to be designated as products in the sense of the regulation. Since products are not subject to registration, WAGO usually assumes the role of the downstream user in the supply chain. WAGO therefore has an obligation to provide information along the supply chain in accordance with REACH Article 33. WAGO is naturally aware of this obligation.

BOMcheck.net

For more information about our reporting requirements according to REACH Article 33 please visit our website "REACH SVHC Declaration" via [www.wago.com/svhc](http://www.wago.com/svhc)

### BOMcheck

European legislation such as REACH or RoHS requires the provision of information on restricted ingredients in products. This information must be shared by manufacturers and suppliers in the supply chain. WAGO meets this challenge in product-related environmental protection successfully and efficiently with BOMcheck.

BOMcheck is a centralized database for the declaration of ingredients. It is a compliance tool specifically designed to enable manufacturers and suppliers to produce their substance declarations under REACH, RoHS, and other restrictions on ingredients in an efficient and structured manner. This Internet database system increases data quality in the area of product-related environmental protection.

Further information on BOMcheck can be found at the following link: <http://www.bomcheck.net>

### WEEE – Waste of Electrical and Electronic Equipment

The WEEE Directive 2012/19/EU regulates the take-back and recycling of electrical and electronic equipment. Manufacturers and importers of electrical and electronic equipment are obliged to register as a 'WEEE producer' and to comply with the reporting and take-back obligations. As a matter of course, we have taken compliance with legal WEEE requirements very seriously all the time - in our own interest as well as in the well-understood interest of our customers.

Only some of our products fall within the scope of the WEEE Directive and the Member State's implementation laws. These products are WEEE-compliant marked by us, as far as such a marking is legally required (which is not required for the B2B area Europe-wide).

For more information about WEEE please contact us via [ehs-product-compliance@wago.com](mailto:ehs-product-compliance@wago.com).

### Less is more: our packaging

Recycling is the basis for choosing our packaging materials. All packaging used by WAGO can be recycled in the economic cycle without further pretreatment. In addition to the aspect of recycling, emphasis is placed on resource conservation. For this reason, our cardboard boxes consist of 80% recycled paper and are marked with the Resy symbol. The Resy symbol guarantees compliance with the Packaging Ordinance for transport packaging. The labeling is partly done by perforation. This process enables the colorless printing of WAGO cardboard boxes. This avoids unnecessary environmental pollution.





# Indexes and Addresses

## Indexes and Addresses

	Page
<hr/> <b>Product Index</b>	424
<hr/> <b>Item Number Index</b>	426
<hr/> <b>WAGO Worldwide</b>	444
<hr/>	

# Product Index

Item	Page	Item	Page	Item	Page
<b>A</b>					
Accessories		Intermediate couplers		Shield connecting plates	
- WINSTA® MINI	374	- WINSTA® MINI	25	- WINSTA® MINI	375
- WINSTA® MIDI	379	- WINSTA® MIDI	121	- WINSTA® MIDI	383
- WINSTA® RD	392				
- WINSTA® Boxes	393	Item number index	426	Shorting plugs	382
- WINSTA® IDC	394				
				Sockets	
Addresses and phone numbers		<b>L</b>			
- worldwide	444	Locking levers		- WINSTA® MINI	25
		- WINSTA® MINI	374	- WINSTA® MIDI	121
Approvals	414	- WINSTA® MIDI	379	- WINSTA® MAXI	281
				- WINSTA® KNX	287
<b>C</b>					
Cable assemblies		Lockout caps		Snap-in connectors	
- WINSTA® MINI	25	- WINSTA® MINI	374	- WINSTA® MINI	25
- WINSTA® MIDI	121	- WINSTA® MIDI	380	- WINSTA® MIDI	121
- WINSTA® RD	287			- WINSTA® KNX	303
- WINSTA® KNX	303				
Cable cutters	404	<b>M</b>			
Cable strippers	402	Markers	405	Specialty connectors	
		Marking accessories	405	- WINSTA® MIDI	161
Cables, pre-assembled		Marking strips, self-adhesive	405	Strain relief housings	
- WINSTA® MINI	25			- WINSTA® MINI	377
- WINSTA® MIDI	121	Material specifications for		- WINSTA® MIDI	383
- WINSTA® RD	287	insulation and contact materials,		Stripping knife for flat cables	403
- WINSTA® KNX	303	as well as contact surfaces		Subsidiaries and representatives	
CAGE CLAMP® connection	2	- WINSTA® MINI	25	- worldwide	444
		- WINSTA® MIDI	121	Supply modules	
Companies and representatives		- WINSTA® MAXI	281	- WINSTA® IDC	321
- worldwide	444	- WINSTA® RD	287		
		- WINSTA® KNX	303	<b>T</b>	
Connecting cables		- WINSTA® IDC	317	Tap-off modules	
- WINSTA® MINI	25	Mounting plates, for distribution connectors		- WINSTA® IDC	321
- WINSTA® MIDI	121	- WINSTA® MINI	376	Technical information	
- WINSTA® RD	287	- WINSTA® MIDI	381	- WINSTA® MINI	25
- WINSTA® KNX	303	- WINSTA® IDC	394	- WINSTA® MIDI	121
				- WINSTA® MAXI	281
<b>D</b>					
Device connectors		<b>O</b>			
- WINSTA® MINI	25	Operating tools	400	- WINSTA® RD	287
- WINSTA® MIDI	121			- WINSTA® KNX	303
- WINSTA® KNX	303			- WINSTA® IDC	317
Distribution boxes	345	<b>P</b>			
		PCB connectors		T-distribution connectors	
Distribution connectors		- WINSTA® MINI	25	- WINSTA® MINI	25
- WINSTA® MINI	25	- WINSTA® MIDI	121	- WINSTA® MIDI	121
- WINSTA® MIDI	121	- WINSTA® IDC	322	- WINSTA® KNX	303
- WINSTA® KNX	303			Tools	400
		Phase selection			
<b>E</b>					
Electrical Engineering Laboratory	416	- WINSTA® MIDI	250	<b>W</b>	
		- WINSTA® IDC	322	WAGO	
<b>F</b>					
FAQ	20	Pluggable PCB connectors		- worldwide	444
		- WINSTA® MINI	25	WAGO Script, visit <a href="http://www.wago.com">www.wago.com</a>	
Flat cables	397	- WINSTA® MIDI	121	Wire strippers	402
				Wiring aid, WINSTA®	404
		Plugs			
		- WINSTA® MINI	25	<b>Y</b>	
		- WINSTA® MIDI	121	Y-cables	221, 269
		- WINSTA® MAXI	281		
		- WINSTA® KNX	287		
		POWER CAGE CLAMP connection	3		
		POWERBLOCK, for flat cables	337		
		Protective cap	376		
		PUSH WIRE® connection	3		
		Push-in CAGE CLAMP® connection	2		
<b>H</b>					
h-distribution connectors		<b>S</b>			
- WINSTA® MINI	25	SCHUKO®	186		
- WINSTA® MIDI	121	Seminars	418		
<b>I</b>					
Interconnecting cables					
- WINSTA® MINI	25				
- WINSTA® MIDI	121				
- WINSTA® RD	287				
- WINSTA® KNX	303				

Item	Page	Item	Page	Item	Page

# Item Number Index

Item No.	Page	Item No.	Page	Item No.	Page	Item No.	Page
<b>206 Series</b>		<b>770 Series</b>		<b>770 Series</b>		<b>770 Series</b>	
206-118	404	770-244	200	770-382	127	770-656	170
206-1125	402	770-244/060-000	200	770-383	151	770-657	173
206-1126	402	770-244/062-000	200	770-401	379	770-658	173
206-1127	402	770-244/064-000	200	770-405	231	770-659	248
206-1128	402	770-245	228	770-408	161	770-661	250
206-1129	402	770-245/060-000	228	770-415	231	770-665	170
206-1131	402	770-245/062-000	228	770-418	161	770-667	170
206-1132	402	770-245/064-000	228	770-425	231	770-670	170
206-1403	402	770-252	129	770-428	161	770-671	246
206-1411	402	770-252/060-000	129	770-435	231	770-672	246
206-1412	402	770-253	154	770-438	161	770-673	171
206-1413	402	770-253/060-000	154	770-450	405	770-674	215
206-1414	402	770-253/062-000	154	770-450/000-001	405	770-675	247
206-1415	402	770-253/081-000	154	770-450/000-002	405	770-676	214
206-1418	402	770-254	201	770-450/000-005	405	770-677	214
		770-254/060-000	201	770-450/000-006	405	770-680	393
		770-254/062-000	201	770-450/000-012	405	770-683	171
		770-254/064-000	201	770-502/041-000	128	770-684	172
		770-255	229	770-502/042-000	128	770-685	171
		770-255/060-000	229	770-503	153	770-686	172
		770-255/062-000	229	770-503/021-000	385	770-687	174
		770-255/064-000	229	770-503/023-000	153	770-688	175
		770-262	128	770-503/032-000	384	770-690	249
		770-263	153	770-503/035-000	385	770-693	103
		770-263/071-000	153	770-503/038-000	385	770-694	203
		770-263/073-000	153	770-504	200	770-695	233
		770-264	200	770-504/023-000	200	770-703	157
		770-264/071-000	200	770-505	228	770-703/009-000	159
		770-264/072-000	200	770-505/021-000	387	770-704	203
		770-264/073-000	200	770-505/023-000	228	770-704/009-000	205
		770-265	228	770-506/029-000	388	770-705	233
		770-265/073-000	228	770-507/047-000	389	770-705/009-000	235
		770-272	129	770-512/041-000	128	770-713	158
		770-273	154	770-512/042-000	128	770-713/007-000	159
		770-273/071-000	154	770-513	153	770-714	204
		770-273/073-000	154	770-513/021-000	385	770-714/007-000	205
		770-274	201	770-513/023-000	153	770-715	234
		770-274/071-000	201	770-513/032-000	384	770-715/007-000	235
		770-274/072-000	201	770-513/035-000	385	770-723	157
		770-274/073-000	201	770-513/038-000	385	770-723/009-000	159
		770-275	229	770-514	200	770-724	203
		770-275/073-000	229	770-514/023-000	200	770-724/009-000	205
		770-282	128	770-515	228	770-725	233
		770-282/080-000	128	770-515/021-000	387	770-725/009-000	235
		770-282/082-000	128	770-515/023-000	228	770-733	158
		770-283	153	770-516/029-000	388	770-733/007-000	159
		770-283/081-000	153	770-517/047-000	389	770-734	204
		770-283/082-000	153	770-523	383	770-734/007-000	205
		770-284	200	770-601	381	770-735	234
		770-284/081-000	200	770-603	169	770-735/007-000	235
		770-285	228	770-605	243	770-743	157
		770-285/080-000	228	770-606	170	770-743/060-000	157
		770-285/082-000	228	770-607	173	770-743/062-000	157
		770-292	129	770-608	173	770-744	203
		770-292/080-000	129	770-609	248	770-744/060-000	203
		770-292/082-000	129	770-611	250	770-744/062-000	203
		770-293	154	770-615	170	770-744/064-000	203
		770-293/081-000	154	770-617	246	770-745	233
		770-293/082-000	154	770-618	248	770-745/060-000	233
		770-294	201	770-619	243	770-745/062-000	233
		770-294/081-000	201	770-620	246	770-745/064-000	233
		770-295	229	770-621	246	770-753	158
		770-295/080-000	229	770-622	246	770-753/060-000	158
		770-295/082-000	229	770-623	171	770-753/062-000	158
		770-305	230	770-624	215	770-754	204
		770-310	137	770-625	247	770-754/060-000	204
		770-315	230	770-626	214	770-754/062-000	204
		770-317	390	770-627	214	770-754/064-000	204
		770-318	390	770-630	393	770-755	234
		770-319	391	770-633	171	770-755/060-000	234
		770-320	391	770-634	172	770-755/062-000	234
		770-321	391	770-635	171	770-755/064-000	234
		770-325	230	770-636	172	770-763	157
		770-335	230	770-637	174	770-763/071-000	157
		770-337	390	770-638	175	770-763/073-000	157
		770-338	390	770-640	249	770-764	203
		770-339	391	770-643	103	770-764/071-000	203
		770-340	391	770-644	203	770-764/072-000	203
		770-341	391	770-645	233	770-764/073-000	203
		770-354	381	770-653	169	770-765	233
		770-360	127	770-655	243	770-765/073-000	233

Item No.	Page	Item No.	Page	Item No.	Page	Item No.	Page
<b>770 Series</b>		<b>770 Series</b>		<b>770 Series</b>		<b>770 Series</b>	
770-773	158	770-854/011-000/064-000	210	770-903	244	770-1686	134
770-773/071-000	158	770-854/060-000	208	770-907	173	770-1701	132
770-773/073-000	158	770-854/062-000	208	770-909	248	770-1702	132
770-774	204	770-854/064-000	208	770-911	243	770-1703	132
770-774/071-000	204	770-855	238	770-912	244	770-1704	135
770-774/072-000	204	770-855/011-000	240	770-913	244	770-1705	135
770-774/073-000	204	770-855/011-000/060-000	240	770-921	246	770-1706	135
770-775	234	770-855/011-000/062-000	240	770-922	246	770-1712	170
770-775/073-000	234	770-855/011-000/064-000	240	770-934	172	770-1713	170
770-783	157	770-855/060-000	238	770-936	172	770-1714	173
770-783/081-000	157	770-855/062-000	238	770-940	249	770-1715	173
770-783/082-000	157	770-855/064-000	238	770-944	215	770-1716	173
770-784	203	770-863	163	770-945	215	770-1731	214
770-784/081-000	203	770-863/011-000	165	770-951	243	770-1732	214
770-785	233	770-863/011-000/071-000	165	770-952	244	770-1733	214
770-785/080-000	233	770-863/011-000/073-000	165	770-953	244	770-1734	216
770-785/082-000	233	770-863/071-000	163	770-967	170	770-1735	216
770-793	158	770-863/073-000	163	770-970	170	770-1736	216
770-793/081-000	158	770-864	207	770-992	247	770-1741	246
770-793/082-000	158	770-864/011-000	209	770-993	247	770-1742	246
770-794	204	770-864/011-000/071-000	209	770-994	215	770-1743	246
770-794/081-000	204	770-864/011-000/072-000	209	770-995	215	770-1744	248
770-795	234	770-864/011-000/073-000	209	770-1102	128	770-1745	248
770-795/080-000	234	770-864/071-000	207	770-1105	228	770-1746	248
770-795/082-000	234	770-864/072-000	207	770-1112	129	770-1751	134
770-803	163	770-864/073-000	207	770-1115	229	770-1752	134
770-803/011-000	165	770-865	237	770-1162	128	770-1753	134
770-804	207	770-865/011-000	239	770-1165	228	770-1761	172
770-804/011-000	209	770-865/073-000	237	770-1172	129	770-1762	172
770-805	237	770-873	164	770-1175	229	770-1763	172
770-805/011-000	239	770-873/011-000	166	770-1303	153	770-1781	215
770-813	164	770-873/011-000/071-000	166	770-1305	228	770-1782	215
770-813/011-000	166	770-873/011-000/073-000	166	770-1313	154	770-1783	215
770-814	208	770-873/071-000	164	770-1315	229	770-1947	248
770-814/011-000	210	770-873/073-000	164	770-1324	200	770-2105	233
770-815	238	770-874	208	770-1325	228	770-2115	234
770-815/011-000	240	770-874/011-000	210	770-1334	201	770-2115/007-000	235
770-823	163	770-874/011-000/071-000	210	770-1335	229	770-2303	157
770-823/011-000	165	770-874/011-000/072-000	210	770-1343	153	770-2305	233
770-824	207	770-874/011-000/073-000	210	770-1353	154	770-2313	158
770-824/011-000	209	770-874/071-000	208	770-1363	153	770-2313/007-000	159
770-825	237	770-874/072-000	208	770-1373	154	770-2315	234
770-825/011-000	239	770-874/073-000	208	770-1373/146-000	174	770-2324	203
770-833	164	770-875	238	770-1373/147-000	174	770-2325	233
770-833/011-000	166	770-875/011-000	240	770-1373/148-000	174	770-2334	204
770-834	208	770-875/011-000/073-000	240	770-1373/149-000	174	770-2334/007-000	205
770-834/011-000	210	770-875/073-000	238	770-1601	132	770-2335	234
770-835	238	770-883	163	770-1602	132	770-2335/007-000	235
770-835/011-000	240	770-883/011-000	165	770-1603	132	770-2343	157
770-843	163	770-883/011-000/081-000	165	770-1606	132	770-2353	158
770-843/011-000	165	770-883/011-000/082-000	165	770-1608	133	770-2363	157
770-843/011-000/060-000	165	770-883/081-000	163	770-1609	133	770-3105	237
770-843/011-000/062-000	165	770-883/082-000	163	770-1610	133	770-3105/011-000	239
770-843/060-000	163	770-884	207	770-1612	170	770-3115	238
770-843/062-000	163	770-884/011-000	209	770-1613	170	770-3115/011-000	240
770-844	207	770-884/011-000/081-000	209	770-1615	132	770-6223	169
770-844/011-000	209	770-884/081-000	207	770-1626	133	770-6224	213
770-844/011-000/060-000	209	770-885	237	770-1627	133	770-6225	245
770-844/011-000/062-000	209	770-885/011-000	239	770-1631	214	770-7102	131
770-844/011-000/064-000	209	770-885/011-000/080-000	239	770-1632	214	770-7105	245
770-844/060-000	207	770-885/011-000/082-000	239	770-1633	214	770-7502	131
770-844/062-000	207	770-885/080-000	237	770-1634	134	770-7505	245
770-844/064-000	207	770-885/082-000	237	770-1636	134		
770-845	237	770-893	164	770-1641	246	<b>771 Series</b>	
770-845/011-000	239	770-893/011-000	166	770-1642	246	771-5001/100-000	221
770-845/011-000/060-000	239	770-893/011-000/081-000	166	770-1643	246	771-5001/106-000	195
770-845/011-000/062-000	239	770-893/011-000/082-000	166	770-1651	134	771-5001/107-000	195
770-845/011-000/064-000	239	770-893/081-000	164	770-1652	134	771-5001/110-000	222
770-845/060-000	237	770-893/082-000	164	770-1653	134	771-5001/131-000	196
770-845/062-000	237	770-894	208	770-1656	132	771-5001/132-000	196
770-845/064-000	237	770-894/011-000	210	770-1658	133	771-5001/148-000	267
770-853	164	770-894/011-000/081-000	210	770-1659	133	771-5001/149-000	267
770-853/011-000	166	770-894/081-000	208	770-1660	133	771-5001/150-000	267
770-853/011-000/060-000	166	770-895	238	770-1661	172	771-5001/151-000	267
770-853/011-000/062-000	166	770-895/011-000	240	770-1662	172	771-5001/152-000	267
770-853/060-000	164	770-895/011-000/080-000	240	770-1663	172	771-5001/153-000	267
770-853/062-000	164	770-895/011-000/082-000	240	770-1665	132	771-5001/154-000	267
770-854	208	770-895/080-000	238	770-1681	215	771-5001/155-000	267
770-854/011-000	210	770-895/082-000	238	770-1682	215	771-5001/156-000	268
770-854/011-000/060-000	210	770-901	243	770-1683	215	771-5001/157-000	268
770-854/011-000/062-000	210	770-902	244	770-1684	134	771-5001/158-000	268

# Item Number Index

Item No.	Page	Item No.	Page	Item No.	Page	Item No.	Page
<b>771 Series</b>		<b>771 Series</b>		<b>771 Series</b>		<b>771 Series</b>	
771-5001/159-000	268	771-6993/017-501	184	771-6993/206-502	181	771-8982/006-303	145
771-5001/160-000	268	771-6993/017-502	184	771-6993/206-601	181	771-8982/006-304	145
771-5001/161-000	268	771-6993/017-601	184	771-6993/206-602	181	771-8982/006-401	143
771-5001/162-000	268	771-6993/017-602	184	771-6993/206-701	181	771-8982/006-402	143
771-5001/163-000	268	771-6993/017-701	184	771-6993/206-702	181	771-8982/006-403	145
771-5001/164-000	267	771-6993/017-702	184	771-6993/206-801	181	771-8982/006-404	145
771-5001/165-000	267	771-6993/017-801	184	771-6993/206-802	181	771-8982/006-501	143
771-5001/166-000	267	771-6993/017-802	184	771-6993/207-101	183	771-8982/006-502	143
771-5001/167-000	267	771-6993/106-101	181	771-6993/207-102	183	771-8982/006-503	145
771-5001/168-000	267	771-6993/106-102	181	771-6993/207-201	183	771-8982/006-504	145
771-5001/169-000	267	771-6993/106-201	181	771-6993/207-202	183	771-8982/006-601	143
771-5001/170-000	267	771-6993/106-202	181	771-6993/207-301	183	771-8982/006-602	143
771-5001/171-000	267	771-6993/106-301	181	771-6993/207-302	183	771-8982/006-603	145
771-5001/172-000	268	771-6993/106-302	181	771-6993/207-401	183	771-8982/006-604	145
771-5001/173-000	268	771-6993/106-401	181	771-6993/207-402	183	771-8982/006-701	143
771-5001/174-000	268	771-6993/106-402	181	771-6993/207-501	183	771-8982/006-702	143
771-5001/175-000	268	771-6993/106-501	181	771-6993/207-502	183	771-8982/006-703	145
771-5001/176-000	268	771-6993/106-502	181	771-6993/207-601	183	771-8982/006-704	145
771-5001/177-000	268	771-6993/106-601	181	771-6993/207-602	183	771-8982/006-801	143
771-5001/178-000	268	771-6993/106-602	181	771-6993/207-701	183	771-8982/006-802	143
771-5001/179-000	268	771-6993/106-701	181	771-6993/207-702	183	771-8982/006-803	145
771-5001/180-000	269	771-6993/106-702	181	771-6993/207-801	183	771-8982/006-804	145
771-5001/181-000	270	771-6993/106-801	181	771-6993/207-802	183	771-8982/007-103	147
771-5001/182-000	269	771-6993/106-802	181	771-6993/216-101	182	771-8982/007-104	147
771-5001/183-000	270	771-6993/107-101	183	771-6993/216-102	182	771-8982/007-203	147
771-6993/006-101	181	771-6993/107-102	183	771-6993/216-201	182	771-8982/007-204	147
771-6993/006-102	181	771-6993/107-201	183	771-6993/216-202	182	771-8982/007-303	147
771-6993/006-201	181	771-6993/107-202	183	771-6993/216-301	182	771-8982/007-304	147
771-6993/006-202	181	771-6993/107-301	183	771-6993/216-302	182	771-8982/007-403	147
771-6993/006-301	181	771-6993/107-302	183	771-6993/216-401	182	771-8982/007-404	147
771-6993/006-302	181	771-6993/107-401	183	771-6993/216-402	182	771-8982/007-503	147
771-6993/006-401	181	771-6993/107-402	183	771-6993/216-501	182	771-8982/007-504	147
771-6993/006-402	181	771-6993/107-501	183	771-6993/216-502	182	771-8982/007-603	147
771-6993/006-501	181	771-6993/107-502	183	771-6993/216-601	182	771-8982/007-604	147
771-6993/006-502	181	771-6993/107-601	183	771-6993/216-602	182	771-8982/007-703	147
771-6993/006-601	181	771-6993/107-602	183	771-6993/216-701	182	771-8982/007-704	147
771-6993/006-602	181	771-6993/107-701	183	771-6993/216-702	182	771-8982/007-803	147
771-6993/006-701	181	771-6993/107-702	183	771-6993/216-801	182	771-8982/007-804	147
771-6993/006-702	181	771-6993/107-801	183	771-6993/216-802	182	771-8982/016-101	144
771-6993/006-801	181	771-6993/107-802	183	771-6993/217-101	184	771-8982/016-102	144
771-6993/006-802	181	771-6993/116-101	182	771-6993/217-102	184	771-8982/016-103	146
771-6993/007-101	183	771-6993/116-102	182	771-6993/217-201	184	771-8982/016-104	146
771-6993/007-102	183	771-6993/116-201	182	771-6993/217-202	184	771-8982/016-201	144
771-6993/007-201	183	771-6993/116-202	182	771-6993/217-301	184	771-8982/016-202	144
771-6993/007-202	183	771-6993/116-301	182	771-6993/217-302	184	771-8982/016-203	146
771-6993/007-301	183	771-6993/116-302	182	771-6993/217-401	184	771-8982/016-204	146
771-6993/007-302	183	771-6993/116-401	182	771-6993/217-402	184	771-8982/016-301	144
771-6993/007-401	183	771-6993/116-402	182	771-6993/217-501	184	771-8982/016-302	144
771-6993/007-402	183	771-6993/116-501	182	771-6993/217-502	184	771-8982/016-303	146
771-6993/007-501	183	771-6993/116-502	182	771-6993/217-601	184	771-8982/016-304	146
771-6993/007-502	183	771-6993/116-601	182	771-6993/217-602	184	771-8982/016-401	144
771-6993/007-601	183	771-6993/116-602	182	771-6993/217-701	184	771-8982/016-402	144
771-6993/007-602	183	771-6993/116-701	182	771-6993/217-702	184	771-8982/016-403	146
771-6993/007-701	183	771-6993/116-702	182	771-6993/217-801	184	771-8982/016-404	146
771-6993/007-702	183	771-6993/116-801	182	771-6993/217-802	184	771-8982/016-501	144
771-6993/007-801	183	771-6993/116-802	182	771-8965/007-101	259	771-8982/016-502	144
771-6993/007-802	183	771-6993/117-101	184	771-8965/007-102	259	771-8982/016-503	146
771-6993/016-101	182	771-6993/117-102	184	771-8965/007-201	259	771-8982/016-504	146
771-6993/016-102	182	771-6993/117-201	184	771-8965/007-202	259	771-8982/016-601	144
771-6993/016-201	182	771-6993/117-202	184	771-8965/017-101	260	771-8982/016-602	144
771-6993/016-202	182	771-6993/117-301	184	771-8965/017-102	260	771-8982/016-603	146
771-6993/016-301	182	771-6993/117-302	184	771-8965/017-201	260	771-8982/016-604	146
771-6993/016-302	182	771-6993/117-401	184	771-8965/017-202	260	771-8982/016-701	144
771-6993/016-401	182	771-6993/117-402	184	771-8965/107-101	259	771-8982/016-702	144
771-6993/016-402	182	771-6993/117-501	184	771-8965/107-102	259	771-8982/016-703	146
771-6993/016-501	182	771-6993/117-502	184	771-8965/107-201	259	771-8982/016-704	146
771-6993/016-502	182	771-6993/117-601	184	771-8965/107-202	259	771-8982/016-801	144
771-6993/016-601	182	771-6993/117-602	184	771-8965/117-101	260	771-8982/016-802	144
771-6993/016-602	182	771-6993/117-701	184	771-8965/117-102	260	771-8982/016-803	146
771-6993/016-701	182	771-6993/117-702	184	771-8965/117-201	260	771-8982/016-804	146
771-6993/016-702	182	771-6993/117-801	184	771-8965/117-202	260	771-8982/017-103	148
771-6993/016-801	182	771-6993/117-802	184	771-8982/006-101	143	771-8982/017-104	148
771-6993/016-802	182	771-6993/206-101	181	771-8982/006-102	143	771-8982/017-203	148
771-6993/017-101	184	771-6993/206-102	181	771-8982/006-103	145	771-8982/017-204	148
771-6993/017-102	184	771-6993/206-201	181	771-8982/006-104	145	771-8982/017-303	148
771-6993/017-201	184	771-6993/206-202	181	771-8982/006-201	143	771-8982/017-304	148
771-6993/017-202	184	771-6993/206-301	181	771-8982/006-202	143	771-8982/017-403	148
771-6993/017-301	184	771-6993/206-302	181	771-8982/006-203	145	771-8982/017-404	148
771-6993/017-302	184	771-6993/206-401	181	771-8982/006-204	145	771-8982/017-503	148
771-6993/017-401	184	771-6993/206-402	181	771-8982/006-301	143	771-8982/017-504	148
771-6993/017-402	184	771-6993/206-501	181	771-8982/006-302	143	771-8982/017-603	148





# Item Number Index

Item No.	Page	Item No.	Page	Item No.	Page	Item No.	Page
<b>771 Series</b>		<b>771 Series</b>		<b>771 Series</b>		<b>771 Series</b>	
771-8985/117-804	274	771-8992/005-605	141	771-8992/017-102	140	771-8992/107-201	139
771-8985/206-103	271	771-8992/005-607	141	771-8992/017-201	140	771-8992/107-202	139
771-8985/206-104	271	771-8992/005-703	141	771-8992/017-202	140	771-8992/107-301	139
771-8985/206-203	271	771-8992/005-705	141	771-8992/017-301	140	771-8992/107-302	139
771-8985/206-204	271	771-8992/005-707	141	771-8992/017-302	140	771-8992/107-401	139
771-8985/206-303	271	771-8992/005-803	141	771-8992/017-401	140	771-8992/107-402	139
771-8985/206-304	271	771-8992/005-805	141	771-8992/017-402	140	771-8992/107-501	139
771-8985/206-403	271	771-8992/005-807	141	771-8992/017-501	140	771-8992/107-502	139
771-8985/206-404	271	771-8992/006-101	137	771-8992/017-502	140	771-8992/107-601	139
771-8985/206-503	271	771-8992/006-102	137	771-8992/017-601	140	771-8992/107-602	139
771-8985/206-504	271	771-8992/006-103	142	771-8992/017-602	140	771-8992/107-701	139
771-8985/206-603	271	771-8992/006-105	142	771-8992/017-701	140	771-8992/107-702	139
771-8985/206-604	271	771-8992/006-107	142	771-8992/017-702	140	771-8992/107-801	139
771-8985/206-703	271	771-8992/006-201	137	771-8992/017-801	140	771-8992/107-802	139
771-8985/206-704	271	771-8992/006-202	137	771-8992/017-802	140	771-8992/116-101	138
771-8985/206-803	271	771-8992/006-203	142	771-8992/105-103	141	771-8992/116-102	138
771-8985/206-804	271	771-8992/006-205	142	771-8992/105-105	141	771-8992/116-201	138
771-8985/207-103	273	771-8992/006-207	142	771-8992/105-107	141	771-8992/116-202	138
771-8985/207-104	273	771-8992/006-301	137	771-8992/105-203	141	771-8992/116-301	138
771-8985/207-203	273	771-8992/006-302	137	771-8992/105-205	141	771-8992/116-302	138
771-8985/207-204	273	771-8992/006-303	142	771-8992/105-207	141	771-8992/116-401	138
771-8985/207-303	273	771-8992/006-305	142	771-8992/105-303	141	771-8992/116-402	138
771-8985/207-304	273	771-8992/006-307	142	771-8992/105-305	141	771-8992/116-501	138
771-8985/207-403	273	771-8992/006-401	137	771-8992/105-307	141	771-8992/116-502	138
771-8985/207-404	273	771-8992/006-402	137	771-8992/105-403	141	771-8992/116-601	138
771-8985/207-503	273	771-8992/006-403	142	771-8992/105-405	141	771-8992/116-602	138
771-8985/207-504	273	771-8992/006-405	142	771-8992/105-407	141	771-8992/116-701	138
771-8985/207-603	273	771-8992/006-407	142	771-8992/105-503	141	771-8992/116-702	138
771-8985/207-604	273	771-8992/006-501	137	771-8992/105-505	141	771-8992/116-801	138
771-8985/207-703	273	771-8992/006-502	137	771-8992/105-507	141	771-8992/116-802	138
771-8985/207-704	273	771-8992/006-503	142	771-8992/105-603	141	771-8992/117-101	140
771-8985/207-803	273	771-8992/006-505	142	771-8992/105-605	141	771-8992/117-102	140
771-8985/207-804	273	771-8992/006-507	142	771-8992/105-607	141	771-8992/117-201	140
771-8985/216-103	272	771-8992/006-601	137	771-8992/105-703	141	771-8992/117-202	140
771-8985/216-104	272	771-8992/006-602	137	771-8992/105-705	141	771-8992/117-301	140
771-8985/216-203	272	771-8992/006-603	142	771-8992/105-707	141	771-8992/117-302	140
771-8985/216-204	272	771-8992/006-605	142	771-8992/105-803	141	771-8992/117-401	140
771-8985/216-303	272	771-8992/006-607	142	771-8992/105-805	141	771-8992/117-402	140
771-8985/216-304	272	771-8992/006-701	137	771-8992/105-807	141	771-8992/117-501	140
771-8985/216-403	272	771-8992/006-702	137	771-8992/106-101	137	771-8992/117-502	140
771-8985/216-404	272	771-8992/006-703	142	771-8992/106-102	137	771-8992/117-601	140
771-8985/216-503	272	771-8992/006-705	142	771-8992/106-103	142	771-8992/117-602	140
771-8985/216-504	272	771-8992/006-707	142	771-8992/106-105	142	771-8992/117-701	140
771-8985/216-603	272	771-8992/006-801	137	771-8992/106-107	142	771-8992/117-702	140
771-8985/216-604	272	771-8992/006-802	137	771-8992/106-201	137	771-8992/117-801	140
771-8985/216-703	272	771-8992/006-803	142	771-8992/106-202	137	771-8992/117-802	140
771-8985/216-704	272	771-8992/006-805	142	771-8992/106-203	142	771-8992/205-103	141
771-8985/216-803	272	771-8992/006-807	142	771-8992/106-205	142	771-8992/205-105	141
771-8985/216-804	272	771-8992/007-101	139	771-8992/106-207	142	771-8992/205-107	141
771-8985/217-103	274	771-8992/007-102	139	771-8992/106-301	137	771-8992/205-203	141
771-8985/217-104	274	771-8992/007-201	139	771-8992/106-302	137	771-8992/205-205	141
771-8985/217-203	274	771-8992/007-202	139	771-8992/106-303	142	771-8992/205-207	141
771-8985/217-204	274	771-8992/007-301	139	771-8992/106-305	142	771-8992/205-303	141
771-8985/217-303	274	771-8992/007-302	139	771-8992/106-307	142	771-8992/205-305	141
771-8985/217-304	274	771-8992/007-401	139	771-8992/106-401	137	771-8992/205-307	141
771-8985/217-403	274	771-8992/007-402	139	771-8992/106-402	137	771-8992/205-403	141
771-8985/217-404	274	771-8992/007-501	139	771-8992/106-403	142	771-8992/205-405	141
771-8985/217-503	274	771-8992/007-502	139	771-8992/106-405	142	771-8992/205-407	141
771-8985/217-504	274	771-8992/007-601	139	771-8992/106-407	142	771-8992/205-503	141
771-8985/217-603	274	771-8992/007-602	139	771-8992/106-501	137	771-8992/205-505	141
771-8985/217-604	274	771-8992/007-701	139	771-8992/106-502	137	771-8992/205-507	141
771-8985/217-703	274	771-8992/007-702	139	771-8992/106-503	142	771-8992/205-603	141
771-8985/217-704	274	771-8992/007-801	139	771-8992/106-505	142	771-8992/205-605	141
771-8985/217-803	274	771-8992/007-802	139	771-8992/106-507	142	771-8992/205-607	141
771-8985/217-804	274	771-8992/016-101	138	771-8992/106-601	137	771-8992/205-703	141
771-8992/005-103	141	771-8992/016-102	138	771-8992/106-602	137	771-8992/205-705	141
771-8992/005-105	141	771-8992/016-201	138	771-8992/106-603	142	771-8992/205-707	141
771-8992/005-107	141	771-8992/016-202	138	771-8992/106-605	142	771-8992/205-803	141
771-8992/005-203	141	771-8992/016-301	138	771-8992/106-605	142	771-8992/205-805	141
771-8992/005-205	141	771-8992/016-302	138	771-8992/106-701	137	771-8992/205-807	141
771-8992/005-207	141	771-8992/016-401	138	771-8992/106-702	137	771-8992/206-101	137
771-8992/005-303	141	771-8992/016-402	138	771-8992/106-703	142	771-8992/206-102	137
771-8992/005-305	141	771-8992/016-501	138	771-8992/106-705	142	771-8992/206-103	142
771-8992/005-307	141	771-8992/016-502	138	771-8992/106-707	142	771-8992/206-105	142
771-8992/005-403	141	771-8992/016-601	138	771-8992/106-801	137	771-8992/206-107	142
771-8992/005-405	141	771-8992/016-602	138	771-8992/106-802	137	771-8992/206-201	137
771-8992/005-407	141	771-8992/016-701	138	771-8992/106-803	142	771-8992/206-202	137
771-8992/005-503	141	771-8992/016-702	138	771-8992/106-805	142	771-8992/206-203	142
771-8992/005-505	141	771-8992/016-801	138	771-8992/106-807	142	771-8992/206-205	142
771-8992/005-507	141	771-8992/016-802	138	771-8992/107-101	139	771-8992/206-207	142
771-8992/005-603	141	771-8992/017-101	140	771-8992/107-102	139	771-8992/206-301	137

Item No.	Page	Item No.	Page	Item No.	Page	Item No.	Page
<b>771 Series</b>		<b>771 Series</b>		<b>771 Series</b>		<b>771 Series</b>	
771-8992/206-302	137	771-8995/008-401	257	771-9973/007-701	191	771-9973/116-302	190
771-8992/206-303	142	771-8995/008-501	257	771-9973/007-702	191	771-9973/116-401	190
771-8992/206-305	142	771-8995/008-601	257	771-9973/007-801	191	771-9973/116-402	190
771-8992/206-307	142	771-8995/008-701	257	771-9973/007-802	191	771-9973/116-501	190
771-8992/206-401	137	771-8995/008-801	257	771-9973/016-101	190	771-9973/116-502	190
771-8992/206-402	137	771-8995/018-101	258	771-9973/016-102	190	771-9973/116-601	190
771-8992/206-403	142	771-8995/018-201	258	771-9973/016-105	194	771-9973/116-602	190
771-8992/206-405	142	771-8995/018-301	258	771-9973/016-201	190	771-9973/116-701	190
771-8992/206-407	142	771-8995/018-401	258	771-9973/016-202	190	771-9973/116-702	190
771-8992/206-501	137	771-8995/018-501	258	771-9973/016-205	194	771-9973/116-801	190
771-8992/206-502	137	771-8995/018-601	258	771-9973/016-301	190	771-9973/116-802	190
771-8992/206-503	142	771-8995/018-701	258	771-9973/016-302	190	771-9973/117-101	192
771-8992/206-505	142	771-8995/018-801	258	771-9973/016-305	194	771-9973/117-102	192
771-8992/206-507	142	771-8995/108-101	257	771-9973/016-401	190	771-9973/117-201	192
771-8992/206-601	137	771-8995/108-201	257	771-9973/016-402	190	771-9973/117-202	192
771-8992/206-602	137	771-8995/108-301	257	771-9973/016-405	194	771-9973/117-301	192
771-8992/206-603	142	771-8995/108-401	257	771-9973/016-501	190	771-9973/117-302	192
771-8992/206-605	142	771-8995/108-501	257	771-9973/016-502	190	771-9973/117-401	192
771-8992/206-607	142	771-8995/108-601	257	771-9973/016-505	194	771-9973/117-402	192
771-8992/206-701	137	771-8995/108-701	257	771-9973/016-601	190	771-9973/117-501	192
771-8992/206-702	137	771-8995/108-801	257	771-9973/016-602	190	771-9973/117-502	192
771-8992/206-703	142	771-8995/118-101	258	771-9973/016-605	194	771-9973/117-601	192
771-8992/206-705	142	771-8995/118-201	258	771-9973/016-701	190	771-9973/117-602	192
771-8992/206-707	142	771-8995/118-301	258	771-9973/016-702	190	771-9973/117-701	192
771-8992/206-801	137	771-8995/118-401	258	771-9973/016-705	194	771-9973/117-702	192
771-8992/206-802	137	771-8995/118-501	258	771-9973/016-801	190	771-9973/117-801	192
771-8992/206-803	142	771-8995/118-601	258	771-9973/016-802	190	771-9973/117-802	192
771-8992/206-805	142	771-8995/118-701	258	771-9973/016-805	194	771-9973/206-101	189
771-8992/206-807	142	771-8995/118-801	258	771-9973/017-101	192	771-9973/206-102	189
771-8992/207-101	139	771-8995/208-101	257	771-9973/017-102	192	771-9973/206-104	193
771-8992/207-102	139	771-8995/208-201	257	771-9973/017-201	192	771-9973/206-105	193
771-8992/207-201	139	771-8995/208-301	257	771-9973/017-202	192	771-9973/206-201	189
771-8992/207-202	139	771-8995/208-401	257	771-9973/017-301	192	771-9973/206-202	189
771-8992/207-301	139	771-8995/208-501	257	771-9973/017-302	192	771-9973/206-204	193
771-8992/207-302	139	771-8995/208-601	257	771-9973/017-401	192	771-9973/206-205	193
771-8992/207-401	139	771-8995/208-701	257	771-9973/017-402	192	771-9973/206-301	189
771-8992/207-402	139	771-8995/208-801	257	771-9973/017-501	192	771-9973/206-302	189
771-8992/207-501	139	771-8995/218-101	258	771-9973/017-502	192	771-9973/206-304	193
771-8992/207-502	139	771-8995/218-201	258	771-9973/017-601	192	771-9973/206-305	193
771-8992/207-601	139	771-8995/218-301	258	771-9973/017-602	192	771-9973/206-401	189
771-8992/207-602	139	771-8995/218-401	258	771-9973/017-701	192	771-9973/206-402	189
771-8992/207-701	139	771-8995/218-501	258	771-9973/017-702	192	771-9973/206-404	193
771-8992/207-702	139	771-8995/218-601	258	771-9973/017-801	192	771-9973/206-405	193
771-8992/207-801	139	771-8995/218-701	258	771-9973/017-802	192	771-9973/206-501	189
771-8992/207-802	139	771-8995/218-801	258	771-9973/106-101	189	771-9973/206-502	189
771-8992/216-101	138	771-9973/006-101	189	771-9973/106-102	189	771-9973/206-504	193
771-8992/216-102	138	771-9973/006-102	189	771-9973/106-201	189	771-9973/206-505	193
771-8992/216-201	138	771-9973/006-105	193	771-9973/106-202	189	771-9973/206-601	189
771-8992/216-202	138	771-9973/006-201	189	771-9973/106-301	189	771-9973/206-602	189
771-8992/216-301	138	771-9973/006-202	189	771-9973/106-302	189	771-9973/206-604	193
771-8992/216-302	138	771-9973/006-205	193	771-9973/106-401	189	771-9973/206-605	193
771-8992/216-401	138	771-9973/006-301	189	771-9973/106-402	189	771-9973/206-701	189
771-8992/216-402	138	771-9973/006-302	189	771-9973/106-501	189	771-9973/206-702	189
771-8992/216-501	138	771-9973/006-305	193	771-9973/106-502	189	771-9973/206-704	193
771-8992/216-502	138	771-9973/006-401	189	771-9973/106-601	189	771-9973/206-705	193
771-8992/216-601	138	771-9973/006-402	189	771-9973/106-602	189	771-9973/206-801	189
771-8992/216-602	138	771-9973/006-405	193	771-9973/106-701	189	771-9973/206-802	189
771-8992/216-701	138	771-9973/006-501	189	771-9973/106-702	189	771-9973/206-804	193
771-8992/216-702	138	771-9973/006-502	189	771-9973/106-801	189	771-9973/206-805	193
771-8992/216-801	138	771-9973/006-505	193	771-9973/106-802	189	771-9973/207-101	191
771-8992/216-802	138	771-9973/006-601	189	771-9973/107-101	191	771-9973/207-102	191
771-8992/217-101	140	771-9973/006-602	189	771-9973/107-102	191	771-9973/207-201	191
771-8992/217-102	140	771-9973/006-605	193	771-9973/107-201	191	771-9973/207-202	191
771-8992/217-201	140	771-9973/006-701	189	771-9973/107-202	191	771-9973/207-301	191
771-8992/217-202	140	771-9973/006-702	189	771-9973/107-301	191	771-9973/207-302	191
771-8992/217-301	140	771-9973/006-705	193	771-9973/107-302	191	771-9973/207-401	191
771-8992/217-302	140	771-9973/006-801	189	771-9973/107-401	191	771-9973/207-402	191
771-8992/217-401	140	771-9973/006-802	189	771-9973/107-402	191	771-9973/207-501	191
771-8992/217-402	140	771-9973/006-805	193	771-9973/107-501	191	771-9973/207-502	191
771-8992/217-501	140	771-9973/007-101	191	771-9973/107-502	191	771-9973/207-601	191
771-8992/217-502	140	771-9973/007-102	191	771-9973/107-601	191	771-9973/207-602	191
771-8992/217-601	140	771-9973/007-201	191	771-9973/107-602	191	771-9973/207-701	191
771-8992/217-602	140	771-9973/007-202	191	771-9973/107-701	191	771-9973/207-702	191
771-8992/217-701	140	771-9973/007-301	191	771-9973/107-702	191	771-9973/207-801	191
771-8992/217-702	140	771-9973/007-302	191	771-9973/107-801	191	771-9973/207-802	191
771-8992/217-801	140	771-9973/007-401	191	771-9973/107-802	191	771-9973/216-101	190
771-8992/217-802	140	771-9973/007-402	191	771-9973/116-101	190	771-9973/216-102	190
771-8993/1004-051	185	771-9973/007-501	191	771-9973/116-102	190	771-9973/216-104	194
771-8995/008-101	257	771-9973/007-502	191	771-9973/116-201	190	771-9973/216-105	194
771-8995/008-201	257	771-9973/007-601	191	771-9973/116-202	190	771-9973/216-201	190
771-8995/008-301	257	771-9973/007-602	191	771-9973/116-301	190	771-9973/216-202	190



Item No.	Page	Item No.	Page	Item No.	Page	Item No.	Page
<b>771 Series</b>		<b>771 Series</b>		<b>771 Series</b>		<b>771 Series</b>	
771-9985/107-601	265	771-9985/216-602	264	771-9993/006-802	177	771-9993/106-201	177
771-9985/107-602	265	771-9985/216-701	264	771-9993/006-803	188	771-9993/106-202	177
771-9985/107-701	265	771-9985/216-702	264	771-9993/006-805	188	771-9993/106-203	188
771-9985/107-702	265	771-9985/216-801	264	771-9993/006-807	188	771-9993/106-205	188
771-9985/107-801	265	771-9985/216-802	264	771-9993/007-101	179	771-9993/106-207	188
771-9985/107-802	265	771-9985/217-101	266	771-9993/007-102	179	771-9993/106-301	177
771-9985/116-101	264	771-9985/217-102	266	771-9993/007-201	179	771-9993/106-302	177
771-9985/116-102	264	771-9985/217-201	266	771-9993/007-202	179	771-9993/106-303	188
771-9985/116-201	264	771-9985/217-202	266	771-9993/007-301	179	771-9993/106-305	188
771-9985/116-202	264	771-9985/217-301	266	771-9993/007-302	179	771-9993/106-307	188
771-9985/116-301	264	771-9985/217-302	266	771-9993/007-401	179	771-9993/106-401	177
771-9985/116-302	264	771-9985/217-401	266	771-9993/007-402	179	771-9993/106-402	177
771-9985/116-401	264	771-9985/217-402	266	771-9993/007-501	179	771-9993/106-403	188
771-9985/116-402	264	771-9985/217-501	266	771-9993/007-502	179	771-9993/106-405	188
771-9985/116-501	264	771-9985/217-502	266	771-9993/007-601	179	771-9993/106-407	188
771-9985/116-502	264	771-9985/217-601	266	771-9993/007-602	179	771-9993/106-501	177
771-9985/116-601	264	771-9985/217-602	266	771-9993/007-701	179	771-9993/106-502	177
771-9985/116-602	264	771-9985/217-701	266	771-9993/007-702	179	771-9993/106-503	188
771-9985/116-701	264	771-9985/217-702	266	771-9993/007-801	179	771-9993/106-505	188
771-9985/116-702	264	771-9985/217-801	266	771-9993/007-802	179	771-9993/106-507	188
771-9985/116-801	264	771-9985/217-802	266	771-9993/016-101	178	771-9993/106-601	177
771-9985/116-802	264	771-9993/005-103	187	771-9993/016-102	178	771-9993/106-602	177
771-9985/117-101	266	771-9993/005-105	187	771-9993/016-201	178	771-9993/106-603	188
771-9985/117-102	266	771-9993/005-107	187	771-9993/016-202	178	771-9993/106-605	188
771-9985/117-201	266	771-9993/005-203	187	771-9993/016-301	178	771-9993/106-607	188
771-9985/117-202	266	771-9993/005-205	187	771-9993/016-302	178	771-9993/106-701	177
771-9985/117-301	266	771-9993/005-207	187	771-9993/016-401	178	771-9993/106-702	177
771-9985/117-302	266	771-9993/005-303	187	771-9993/016-402	178	771-9993/106-703	188
771-9985/117-401	266	771-9993/005-305	187	771-9993/016-501	178	771-9993/106-705	188
771-9985/117-402	266	771-9993/005-307	187	771-9993/016-502	178	771-9993/106-707	188
771-9985/117-501	266	771-9993/005-403	187	771-9993/016-601	178	771-9993/106-801	177
771-9985/117-502	266	771-9993/005-405	187	771-9993/016-602	178	771-9993/106-802	177
771-9985/117-601	266	771-9993/005-407	187	771-9993/016-701	178	771-9993/106-803	188
771-9985/117-602	266	771-9993/005-503	187	771-9993/016-702	178	771-9993/106-805	188
771-9985/117-701	266	771-9993/005-505	187	771-9993/016-801	178	771-9993/106-807	188
771-9985/117-702	266	771-9993/005-507	187	771-9993/016-802	178	771-9993/107-101	179
771-9985/117-801	266	771-9993/005-603	187	771-9993/017-101	180	771-9993/107-102	179
771-9985/117-802	266	771-9993/005-605	187	771-9993/017-102	180	771-9993/107-201	179
771-9985/206-101	263	771-9993/005-607	187	771-9993/017-201	180	771-9993/107-202	179
771-9985/206-102	263	771-9993/005-703	187	771-9993/017-202	180	771-9993/107-301	179
771-9985/206-201	263	771-9993/005-705	187	771-9993/017-301	180	771-9993/107-302	179
771-9985/206-202	263	771-9993/005-707	187	771-9993/017-302	180	771-9993/107-401	179
771-9985/206-301	263	771-9993/005-803	187	771-9993/017-401	180	771-9993/107-402	179
771-9985/206-302	263	771-9993/005-805	187	771-9993/017-402	180	771-9993/107-501	179
771-9985/206-401	263	771-9993/005-807	187	771-9993/017-501	180	771-9993/107-502	179
771-9985/206-402	263	771-9993/006-101	177	771-9993/017-502	180	771-9993/107-601	179
771-9985/206-501	263	771-9993/006-102	177	771-9993/017-601	180	771-9993/107-602	179
771-9985/206-502	263	771-9993/006-103	188	771-9993/017-602	180	771-9993/107-701	179
771-9985/206-601	263	771-9993/006-105	188	771-9993/017-701	180	771-9993/107-702	179
771-9985/206-602	263	771-9993/006-107	188	771-9993/017-702	180	771-9993/107-801	179
771-9985/206-701	263	771-9993/006-201	177	771-9993/017-801	180	771-9993/107-802	179
771-9985/206-702	263	771-9993/006-202	177	771-9993/017-802	180	771-9993/116-101	178
771-9985/206-801	263	771-9993/006-203	188	771-9993/105-103	187	771-9993/116-102	178
771-9985/206-802	263	771-9993/006-205	188	771-9993/105-105	187	771-9993/116-201	178
771-9985/207-101	265	771-9993/006-207	188	771-9993/105-107	187	771-9993/116-202	178
771-9985/207-102	265	771-9993/006-301	177	771-9993/105-203	187	771-9993/116-301	178
771-9985/207-201	265	771-9993/006-302	177	771-9993/105-205	187	771-9993/116-302	178
771-9985/207-202	265	771-9993/006-303	188	771-9993/105-207	187	771-9993/116-401	178
771-9985/207-301	265	771-9993/006-305	188	771-9993/105-303	187	771-9993/116-402	178
771-9985/207-302	265	771-9993/006-307	188	771-9993/105-305	187	771-9993/116-501	178
771-9985/207-401	265	771-9993/006-401	177	771-9993/105-307	187	771-9993/116-502	178
771-9985/207-402	265	771-9993/006-402	177	771-9993/105-403	187	771-9993/116-601	178
771-9985/207-501	265	771-9993/006-403	188	771-9993/105-405	187	771-9993/116-602	178
771-9985/207-502	265	771-9993/006-405	188	771-9993/105-407	187	771-9993/116-701	178
771-9985/207-601	265	771-9993/006-407	188	771-9993/105-503	187	771-9993/116-702	178
771-9985/207-602	265	771-9993/006-501	177	771-9993/105-505	187	771-9993/116-801	178
771-9985/207-701	265	771-9993/006-502	177	771-9993/105-507	187	771-9993/116-802	178
771-9985/207-702	265	771-9993/006-503	188	771-9993/105-603	187	771-9993/117-101	180
771-9985/207-801	265	771-9993/006-505	188	771-9993/105-605	187	771-9993/117-102	180
771-9985/207-802	265	771-9993/006-507	188	771-9993/105-607	187	771-9993/117-201	180
771-9985/216-101	264	771-9993/006-601	177	771-9993/105-703	187	771-9993/117-202	180
771-9985/216-102	264	771-9993/006-602	177	771-9993/105-705	187	771-9993/117-301	180
771-9985/216-201	264	771-9993/006-603	188	771-9993/105-707	187	771-9993/117-302	180
771-9985/216-202	264	771-9993/006-605	188	771-9993/105-803	187	771-9993/117-401	180
771-9985/216-301	264	771-9993/006-607	188	771-9993/105-805	187	771-9993/117-402	180
771-9985/216-302	264	771-9993/006-701	177	771-9993/105-807	187	771-9993/117-501	180
771-9985/216-401	264	771-9993/006-702	177	771-9993/106-101	177	771-9993/117-502	180
771-9985/216-402	264	771-9993/006-703	188	771-9993/106-102	177	771-9993/117-601	180
771-9985/216-501	264	771-9993/006-705	188	771-9993/106-103	188	771-9993/117-602	180
771-9985/216-502	264	771-9993/006-707	188	771-9993/106-105	188	771-9993/117-701	180
771-9985/216-601	264	771-9993/006-801	177	771-9993/106-107	188	771-9993/117-702	180



# Item Number Index

Item No.	Page	Item No.	Page	Item No.	Page	Item No.	Page
<b>771 Series</b>		<b>771 Series</b>		<b>771 Series</b>		<b>771 Series</b>	
771-9993/117-801	180	771-9993/207-802	179	771-9993/3217-101	180	771-9994/016-502	220
771-9993/117-802	180	771-9993/216-101	178	771-9993/3217-201	180	771-9994/016-601	220
771-9993/205-103	187	771-9993/216-102	178	771-9993/3217-301	180	771-9994/016-602	220
771-9993/205-105	187	771-9993/216-201	178	771-9993/3217-401	180	771-9994/016-701	220
771-9993/205-107	187	771-9993/216-202	178	771-9993/3217-501	180	771-9994/016-702	220
771-9993/205-203	187	771-9993/216-301	178	771-9993/3217-601	180	771-9994/016-801	220
771-9993/205-205	187	771-9993/216-302	178	771-9993/3217-701	180	771-9994/016-802	220
771-9993/205-207	187	771-9993/216-401	178	771-9993/3217-801	180	771-9994/105-103	223
771-9993/205-303	187	771-9993/216-402	178	771-9994/005-103	223	771-9994/105-105	223
771-9993/205-305	187	771-9993/216-501	178	771-9994/005-105	223	771-9994/105-107	223
771-9993/205-307	187	771-9993/216-502	178	771-9994/005-107	223	771-9994/105-203	223
771-9993/205-403	187	771-9993/216-601	178	771-9994/005-203	223	771-9994/105-205	223
771-9993/205-405	187	771-9993/216-602	178	771-9994/005-205	223	771-9994/105-207	223
771-9993/205-407	187	771-9993/216-701	178	771-9994/005-207	223	771-9994/105-303	223
771-9993/205-503	187	771-9993/216-702	178	771-9994/005-303	223	771-9994/105-305	223
771-9993/205-505	187	771-9993/216-801	178	771-9994/005-305	223	771-9994/105-307	223
771-9993/205-507	187	771-9993/216-802	178	771-9994/005-307	223	771-9994/105-403	223
771-9993/205-603	187	771-9993/217-101	180	771-9994/005-403	223	771-9994/105-405	223
771-9993/205-605	187	771-9993/217-102	180	771-9994/005-405	223	771-9994/105-407	223
771-9993/205-607	187	771-9993/217-201	180	771-9994/005-407	223	771-9994/105-503	223
771-9993/205-703	187	771-9993/217-202	180	771-9994/005-503	223	771-9994/105-505	223
771-9993/205-705	187	771-9993/217-301	180	771-9994/005-505	223	771-9994/105-507	223
771-9993/205-707	187	771-9993/217-302	180	771-9994/005-507	223	771-9994/105-603	223
771-9993/205-803	187	771-9993/217-401	180	771-9994/005-603	223	771-9994/105-605	223
771-9993/205-805	187	771-9993/217-402	180	771-9994/005-605	223	771-9994/105-607	223
771-9993/205-807	187	771-9993/217-501	180	771-9994/005-607	223	771-9994/105-703	223
771-9993/206-101	177	771-9993/217-502	180	771-9994/005-703	223	771-9994/105-705	223
771-9993/206-102	177	771-9993/217-601	180	771-9994/005-705	223	771-9994/105-707	223
771-9993/206-103	188	771-9993/217-602	180	771-9994/005-707	223	771-9994/105-803	223
771-9993/206-105	188	771-9993/217-701	180	771-9994/005-803	223	771-9994/105-805	223
771-9993/206-107	188	771-9993/217-702	180	771-9994/005-805	223	771-9994/105-807	223
771-9993/206-201	177	771-9993/217-801	180	771-9994/005-807	223	771-9994/106-101	219
771-9993/206-202	177	771-9993/217-802	180	771-9994/006-101	219	771-9994/106-102	219
771-9993/206-203	188	771-9993/306-101	186	771-9994/006-102	219	771-9994/106-103	224
771-9993/206-205	188	771-9993/306-102	186	771-9994/006-103	224	771-9994/106-105	224
771-9993/206-207	188	771-9993/306-201	186	771-9994/006-105	224	771-9994/106-107	224
771-9993/206-301	177	771-9993/306-202	186	771-9994/006-107	224	771-9994/106-201	219
771-9993/206-302	177	771-9993/306-301	186	771-9994/006-201	219	771-9994/106-202	219
771-9993/206-303	188	771-9993/306-302	186	771-9994/006-202	219	771-9994/106-203	224
771-9993/206-305	188	771-9993/307-101	186	771-9994/006-203	224	771-9994/106-205	224
771-9993/206-307	188	771-9993/307-102	186	771-9994/006-205	224	771-9994/106-207	224
771-9993/206-401	177	771-9993/307-201	186	771-9994/006-207	224	771-9994/106-301	219
771-9993/206-402	177	771-9993/307-202	186	771-9994/006-301	219	771-9994/106-302	219
771-9993/206-403	188	771-9993/307-301	186	771-9994/006-302	219	771-9994/106-303	224
771-9993/206-405	188	771-9993/307-302	186	771-9994/006-303	224	771-9994/106-305	224
771-9993/206-407	188	771-9993/406-101	186	771-9994/006-305	224	771-9994/106-307	224
771-9993/206-501	177	771-9993/406-102	186	771-9994/006-307	224	771-9994/106-401	219
771-9993/206-502	177	771-9993/406-201	186	771-9994/006-401	219	771-9994/106-402	219
771-9993/206-503	188	771-9993/406-202	186	771-9994/006-402	219	771-9994/106-403	224
771-9993/206-505	188	771-9993/406-301	186	771-9994/006-403	224	771-9994/106-405	224
771-9993/206-507	188	771-9993/406-302	186	771-9994/006-405	224	771-9994/106-407	224
771-9993/206-601	177	771-9993/805-101	185	771-9994/006-407	219	771-9994/106-501	219
771-9993/206-602	177	771-9993/805-102	185	771-9994/006-501	219	771-9994/106-502	219
771-9993/206-603	188	771-9993/805-201	185	771-9994/006-502	219	771-9994/106-503	224
771-9993/206-605	188	771-9993/805-202	185	771-9994/006-503	224	771-9994/106-505	224
771-9993/206-607	188	771-9993/805-301	185	771-9994/006-505	224	771-9994/106-507	224
771-9993/206-701	177	771-9993/805-302	185	771-9994/006-507	224	771-9994/106-601	219
771-9993/206-702	177	771-9993/3206-101	177	771-9994/006-601	219	771-9994/106-602	219
771-9993/206-703	188	771-9993/3206-201	177	771-9994/006-602	219	771-9994/106-603	224
771-9993/206-705	188	771-9993/3206-301	177	771-9994/006-603	224	771-9994/106-605	224
771-9993/206-707	188	771-9993/3206-401	177	771-9994/006-605	224	771-9994/106-607	224
771-9993/206-801	177	771-9993/3206-501	177	771-9994/006-607	224	771-9994/106-701	219
771-9993/206-802	177	771-9993/3206-601	177	771-9994/006-701	219	771-9994/106-702	219
771-9993/206-803	188	771-9993/3206-701	177	771-9994/006-702	219	771-9994/106-703	224
771-9993/206-805	188	771-9993/3206-801	177	771-9994/006-703	224	771-9994/106-705	224
771-9993/206-807	188	771-9993/3207-101	179	771-9994/006-705	224	771-9994/106-707	224
771-9993/207-101	179	771-9993/3207-201	179	771-9994/006-707	224	771-9994/106-801	219
771-9993/207-102	179	771-9993/3207-301	179	771-9994/006-801	219	771-9994/106-802	219
771-9993/207-201	179	771-9993/3207-401	179	771-9994/006-802	219	771-9994/106-803	224
771-9993/207-202	179	771-9993/3207-501	179	771-9994/006-803	224	771-9994/106-805	224
771-9993/207-301	179	771-9993/3207-601	179	771-9994/006-805	224	771-9994/106-807	224
771-9993/207-302	179	771-9993/3207-701	179	771-9994/006-807	224	771-9994/116-101	220
771-9993/207-401	179	771-9993/3207-801	179	771-9994/016-101	220	771-9994/116-102	220
771-9993/207-402	179	771-9993/3216-101	178	771-9994/016-102	220	771-9994/116-201	220
771-9993/207-501	179	771-9993/3216-201	178	771-9994/016-201	220	771-9994/116-202	220
771-9993/207-502	179	771-9993/3216-301	178	771-9994/016-202	220	771-9994/116-301	220
771-9993/207-601	179	771-9993/3216-401	178	771-9994/016-301	220	771-9994/116-302	220
771-9993/207-602	179	771-9993/3216-501	178	771-9994/016-302	220	771-9994/116-401	220
771-9993/207-701	179	771-9993/3216-601	178	771-9994/016-401	220	771-9994/116-402	220
771-9993/207-702	179	771-9993/3216-701	178	771-9994/016-402	220	771-9994/116-501	220
771-9993/207-801	179	771-9993/3216-801	178	771-9994/016-501	220	771-9994/116-502	220

Item No.	Page	Item No.	Page	Item No.	Page	Item No.	Page
<b>771 Series</b>		<b>771 Series</b>		<b>771 Series</b>		<b>771 Series</b>	
771-9994/116-601	220	771-9994/216-602	220	771-9995/007-701	255	771-9995/106-502	253
771-9994/116-602	220	771-9994/216-701	220	771-9995/007-702	255	771-9995/106-503	262
771-9994/116-701	220	771-9994/216-702	220	771-9995/007-801	255	771-9995/106-505	262
771-9994/116-702	220	771-9994/216-801	220	771-9995/007-802	255	771-9995/106-507	262
771-9994/116-801	220	771-9994/216-802	220	771-9995/016-101	254	771-9995/106-601	253
771-9994/116-802	220	771-9995/005-103	261	771-9995/016-102	254	771-9995/106-602	253
771-9994/205-103	223	771-9995/005-105	261	771-9995/016-201	254	771-9995/106-603	262
771-9994/205-105	223	771-9995/005-107	261	771-9995/016-202	254	771-9995/106-605	262
771-9994/205-107	223	771-9995/005-203	261	771-9995/016-301	254	771-9995/106-607	262
771-9994/205-203	223	771-9995/005-205	261	771-9995/016-302	254	771-9995/106-701	253
771-9994/205-205	223	771-9995/005-207	261	771-9995/016-401	254	771-9995/106-702	253
771-9994/205-207	223	771-9995/005-303	261	771-9995/016-402	254	771-9995/106-703	262
771-9994/205-303	223	771-9995/005-305	261	771-9995/016-501	254	771-9995/106-705	262
771-9994/205-305	223	771-9995/005-307	261	771-9995/016-502	254	771-9995/106-707	262
771-9994/205-307	223	771-9995/005-403	261	771-9995/016-601	254	771-9995/106-801	253
771-9994/205-403	223	771-9995/005-405	261	771-9995/016-602	254	771-9995/106-802	253
771-9994/205-405	223	771-9995/005-407	261	771-9995/016-701	254	771-9995/106-803	262
771-9994/205-407	223	771-9995/005-503	261	771-9995/016-702	254	771-9995/106-805	262
771-9994/205-503	223	771-9995/005-505	261	771-9995/016-801	254	771-9995/106-807	262
771-9994/205-505	223	771-9995/005-507	261	771-9995/016-802	254	771-9995/107-101	255
771-9994/205-507	223	771-9995/005-603	261	771-9995/017-101	256	771-9995/107-102	255
771-9994/205-603	223	771-9995/005-605	261	771-9995/017-102	256	771-9995/107-201	255
771-9994/205-605	223	771-9995/005-607	261	771-9995/017-201	256	771-9995/107-202	255
771-9994/205-607	223	771-9995/005-703	261	771-9995/017-202	256	771-9995/107-301	255
771-9994/205-703	223	771-9995/005-705	261	771-9995/017-301	256	771-9995/107-302	255
771-9994/205-705	223	771-9995/005-707	261	771-9995/017-302	256	771-9995/107-401	255
771-9994/205-707	223	771-9995/005-803	261	771-9995/017-401	256	771-9995/107-402	255
771-9994/205-803	223	771-9995/005-805	261	771-9995/017-402	256	771-9995/107-501	255
771-9994/205-805	223	771-9995/005-807	261	771-9995/017-501	256	771-9995/107-502	255
771-9994/205-807	223	771-9995/006-101	253	771-9995/017-502	256	771-9995/107-601	255
771-9994/206-101	219	771-9995/006-102	253	771-9995/017-601	256	771-9995/107-602	255
771-9994/206-102	219	771-9995/006-103	262	771-9995/017-602	256	771-9995/107-701	255
771-9994/206-103	224	771-9995/006-105	262	771-9995/017-701	256	771-9995/107-702	255
771-9994/206-105	224	771-9995/006-107	262	771-9995/017-702	256	771-9995/107-801	255
771-9994/206-107	224	771-9995/006-201	253	771-9995/017-801	256	771-9995/107-802	255
771-9994/206-201	219	771-9995/006-202	253	771-9995/017-802	256	771-9995/116-101	254
771-9994/206-202	219	771-9995/006-203	262	771-9995/105-103	261	771-9995/116-102	254
771-9994/206-203	224	771-9995/006-205	262	771-9995/105-105	261	771-9995/116-201	254
771-9994/206-205	224	771-9995/006-207	262	771-9995/105-107	261	771-9995/116-202	254
771-9994/206-207	224	771-9995/006-301	253	771-9995/105-203	261	771-9995/116-301	254
771-9994/206-301	219	771-9995/006-302	253	771-9995/105-205	261	771-9995/116-302	254
771-9994/206-302	219	771-9995/006-303	262	771-9995/105-207	261	771-9995/116-401	254
771-9994/206-303	224	771-9995/006-305	262	771-9995/105-303	261	771-9995/116-402	254
771-9994/206-305	224	771-9995/006-307	262	771-9995/105-305	261	771-9995/116-501	254
771-9994/206-307	224	771-9995/006-401	253	771-9995/105-307	261	771-9995/116-502	254
771-9994/206-401	219	771-9995/006-402	253	771-9995/105-403	261	771-9995/116-601	254
771-9994/206-402	219	771-9995/006-403	262	771-9995/105-405	261	771-9995/116-602	254
771-9994/206-403	224	771-9995/006-405	262	771-9995/105-407	261	771-9995/116-701	254
771-9994/206-405	224	771-9995/006-407	262	771-9995/105-503	261	771-9995/116-702	254
771-9994/206-407	224	771-9995/006-501	253	771-9995/105-505	261	771-9995/116-801	254
771-9994/206-501	219	771-9995/006-502	253	771-9995/105-507	261	771-9995/116-802	254
771-9994/206-502	219	771-9995/006-503	262	771-9995/105-603	261	771-9995/117-101	256
771-9994/206-503	224	771-9995/006-505	262	771-9995/105-605	261	771-9995/117-102	256
771-9994/206-505	224	771-9995/006-507	262	771-9995/105-607	261	771-9995/117-201	256
771-9994/206-507	224	771-9995/006-601	253	771-9995/105-703	261	771-9995/117-202	256
771-9994/206-601	219	771-9995/006-602	253	771-9995/105-705	261	771-9995/117-301	256
771-9994/206-602	219	771-9995/006-603	262	771-9995/105-707	261	771-9995/117-302	256
771-9994/206-603	224	771-9995/006-605	262	771-9995/105-803	261	771-9995/117-401	256
771-9994/206-605	224	771-9995/006-607	262	771-9995/105-805	261	771-9995/117-402	256
771-9994/206-607	224	771-9995/006-701	253	771-9995/105-807	261	771-9995/117-501	256
771-9994/206-701	219	771-9995/006-702	253	771-9995/106-101	253	771-9995/117-502	256
771-9994/206-702	219	771-9995/006-703	262	771-9995/106-102	253	771-9995/117-601	256
771-9994/206-703	224	771-9995/006-705	262	771-9995/106-103	262	771-9995/117-602	256
771-9994/206-705	224	771-9995/006-707	262	771-9995/106-105	262	771-9995/117-701	256
771-9994/206-707	224	771-9995/006-801	253	771-9995/106-107	262	771-9995/117-702	256
771-9994/206-801	219	771-9995/006-802	253	771-9995/106-201	253	771-9995/117-801	256
771-9994/206-802	219	771-9995/006-803	262	771-9995/106-202	253	771-9995/117-802	256
771-9994/206-803	224	771-9995/006-805	262	771-9995/106-203	262	771-9995/205-103	261
771-9994/206-805	224	771-9995/006-807	262	771-9995/106-205	262	771-9995/205-105	261
771-9994/206-807	224	771-9995/007-101	255	771-9995/106-207	262	771-9995/205-107	261
771-9994/216-101	220	771-9995/007-102	255	771-9995/106-301	253	771-9995/205-203	261
771-9994/216-102	220	771-9995/007-201	255	771-9995/106-302	253	771-9995/205-205	261
771-9994/216-201	220	771-9995/007-202	255	771-9995/106-303	262	771-9995/205-207	261
771-9994/216-202	220	771-9995/007-301	255	771-9995/106-305	262	771-9995/205-303	261
771-9994/216-301	220	771-9995/007-302	255	771-9995/106-307	262	771-9995/205-305	261
771-9994/216-302	220	771-9995/007-401	255	771-9995/106-401	253	771-9995/205-307	261
771-9994/216-401	220	771-9995/007-402	255	771-9995/106-402	253	771-9995/205-403	261
771-9994/216-402	220	771-9995/007-501	255	771-9995/106-403	262	771-9995/205-405	261
771-9994/216-501	220	771-9995/007-502	255	771-9995/106-405	262	771-9995/205-407	261
771-9994/216-502	220	771-9995/007-601	255	771-9995/106-407	262	771-9995/205-503	261
771-9994/216-601	220	771-9995/007-602	255	771-9995/106-501	253	771-9995/205-505	261

# Item Number Index

Item No.	Page	Item No.	Page	Item No.	Page	Item No.	Page
<b>771 Series</b>		<b>771 Series</b>		<b>774 Series</b>		<b>774 Series</b>	
771-9995/205-507	261	771-9995/216-802	254	774-9973/216-605	294	774-9993/017-801	292
771-9995/205-603	261	771-9995/217-101	256	774-9973/216-705	294	774-9993/017-802	292
771-9995/205-605	261	771-9995/217-102	256	774-9973/216-805	294	774-9993/106-101	289
771-9995/205-607	261	771-9995/217-201	256	774-9973/1506-105	293	774-9993/106-102	289
771-9995/205-703	261	771-9995/217-202	256	774-9973/1506-205	293	774-9993/106-201	289
771-9995/205-705	261	771-9995/217-301	256	774-9973/1506-305	293	774-9993/106-202	289
771-9995/205-707	261	771-9995/217-302	256	774-9973/1506-405	293	774-9993/106-301	289
771-9995/205-803	261	771-9995/217-401	256	774-9973/1506-505	293	774-9993/106-302	289
771-9995/205-805	261	771-9995/217-402	256	774-9973/1506-605	293	774-9993/106-401	289
771-9995/205-807	261	771-9995/217-501	256	774-9973/1506-705	293	774-9993/106-402	289
771-9995/206-101	253	771-9995/217-502	256	774-9973/1506-805	293	774-9993/106-501	289
771-9995/206-102	253	771-9995/217-601	256	774-9973/1516-105	294	774-9993/106-502	289
771-9995/206-103	262	771-9995/217-602	256	774-9973/1516-205	294	774-9993/106-601	289
771-9995/206-105	262	771-9995/217-701	256	774-9973/1516-305	294	774-9993/106-602	289
771-9995/206-107	262	771-9995/217-702	256	774-9973/1516-405	294	774-9993/106-701	289
771-9995/206-201	253	771-9995/217-801	256	774-9973/1516-505	294	774-9993/106-702	289
771-9995/206-202	253	771-9995/217-802	256	774-9973/1516-605	294	774-9993/106-801	289
771-9995/206-203	262			774-9973/1516-705	294	774-9993/106-802	289
771-9995/206-205	262			774-9973/1516-805	294	774-9993/107-101	291
771-9995/206-207	262			774-9993/006-101	289	774-9993/107-102	291
771-9995/206-301	253	<b>772 Series</b>		774-9993/006-102	289	774-9993/107-201	291
771-9995/206-302	253	772-260	321	774-9993/006-201	289	774-9993/107-202	291
771-9995/206-303	262	772-261	321	774-9993/006-202	289	774-9993/107-301	291
771-9995/206-305	262	772-262	322	774-9993/006-301	289	774-9993/107-302	291
771-9995/206-307	262	772-263	321	774-9993/006-302	289	774-9993/107-401	291
771-9995/206-401	253	772-264/060-000	321	774-9993/006-302	289	774-9993/107-402	291
771-9995/206-402	253	772-265/060-000	322	774-9993/006-401	289	774-9993/107-501	291
771-9995/206-403	262	772-266/060-000	321	774-9993/006-402	289	774-9993/107-502	291
771-9995/206-405	262	772-267	321	774-9993/006-501	289	774-9993/107-601	291
771-9995/206-407	262	772-268	322	774-9993/006-502	289	774-9993/107-602	291
771-9995/206-501	253	772-269	321	774-9993/006-601	289	774-9993/107-701	291
771-9995/206-502	253	772-271	321	774-9993/006-602	289	774-9993/107-702	291
771-9995/206-503	262	772-272	322	774-9993/006-701	289	774-9993/107-801	291
771-9995/206-505	262			774-9993/006-702	289	774-9993/107-802	291
771-9995/206-507	262	<b>774 Series</b>		774-9993/006-801	289	774-9993/116-101	290
771-9995/206-601	253	774-213/9900-000	297	774-9993/006-802	289	774-9993/116-102	290
771-9995/206-602	253	774-1373/9900-000	297	774-9993/007-101	291	774-9993/116-201	290
771-9995/206-603	262	774-9973/006-105	293	774-9993/007-102	291	774-9993/116-202	290
771-9995/206-605	262	774-9973/006-205	293	774-9993/007-201	291	774-9993/116-301	290
771-9995/206-607	262	774-9973/006-305	293	774-9993/007-202	291	774-9993/116-302	290
771-9995/206-701	253	774-9973/006-405	293	774-9993/007-301	291	774-9993/116-401	290
771-9995/206-702	253	774-9973/006-505	293	774-9993/007-302	291	774-9993/116-402	290
771-9995/206-703	262	774-9973/006-605	293	774-9993/007-401	291	774-9993/116-501	290
771-9995/206-705	262	774-9973/006-705	293	774-9993/007-402	291	774-9993/116-502	290
771-9995/206-707	262	774-9973/006-805	293	774-9993/007-501	291	774-9993/116-601	290
771-9995/206-801	253	774-9973/016-105	294	774-9993/007-502	291	774-9993/116-602	290
771-9995/206-802	253	774-9973/016-205	294	774-9993/007-601	291	774-9993/116-701	290
771-9995/206-803	262	774-9973/016-305	294	774-9993/007-602	291	774-9993/116-702	290
771-9995/206-805	262	774-9973/016-405	294	774-9993/007-701	291	774-9993/116-801	290
771-9995/206-807	262	774-9973/016-505	294	774-9993/007-702	291	774-9993/116-802	290
771-9995/207-101	255	774-9973/016-605	294	774-9993/007-801	291	774-9993/117-101	292
771-9995/207-102	255	774-9973/016-705	294	774-9993/007-802	291	774-9993/117-102	292
771-9995/207-201	255	774-9973/016-805	294	774-9993/016-101	290	774-9993/117-201	292
771-9995/207-202	255	774-9973/106-105	293	774-9993/016-102	290	774-9993/117-202	292
771-9995/207-301	255	774-9973/106-205	293	774-9993/016-201	290	774-9993/117-301	292
771-9995/207-302	255	774-9973/106-305	293	774-9993/016-202	290	774-9993/117-302	292
771-9995/207-401	255	774-9973/106-405	293	774-9993/016-301	290	774-9993/117-401	292
771-9995/207-402	255	774-9973/106-505	293	774-9993/016-302	290	774-9993/117-402	292
771-9995/207-501	255	774-9973/106-605	293	774-9993/016-401	290	774-9993/117-501	292
771-9995/207-502	255	774-9973/106-705	293	774-9993/016-402	290	774-9993/117-502	292
771-9995/207-601	255	774-9973/106-805	293	774-9993/016-501	290	774-9993/117-601	292
771-9995/207-602	255	774-9973/116-105	294	774-9993/016-502	290	774-9993/117-602	292
771-9995/207-701	255	774-9973/116-205	294	774-9993/016-601	290	774-9993/117-701	292
771-9995/207-702	255	774-9973/116-305	294	774-9993/016-602	290	774-9993/117-702	292
771-9995/207-801	255	774-9973/116-405	294	774-9993/016-701	290	774-9993/117-801	292
771-9995/207-802	255	774-9973/116-505	294	774-9993/016-702	290	774-9993/117-802	292
771-9995/216-101	254	774-9973/116-605	294	774-9993/016-801	290	774-9993/206-101	289
771-9995/216-102	254	774-9973/116-705	294	774-9993/016-802	290	774-9993/206-102	289
771-9995/216-201	254	774-9973/116-805	294	774-9993/017-101	292	774-9993/206-201	289
771-9995/216-202	254	774-9973/206-105	293	774-9993/017-102	292	774-9993/206-202	289
771-9995/216-301	254	774-9973/206-205	293	774-9993/017-201	292	774-9993/206-301	289
771-9995/216-302	254	774-9973/206-305	293	774-9993/017-202	292	774-9993/206-302	289
771-9995/216-401	254	774-9973/206-405	293	774-9993/017-301	292	774-9993/206-401	289
771-9995/216-402	254	774-9973/206-505	293	774-9993/017-302	292	774-9993/206-402	289
771-9995/216-501	254	774-9973/206-605	293	774-9993/017-401	292	774-9993/206-501	289
771-9995/216-502	254	774-9973/206-705	293	774-9993/017-402	292	774-9993/206-502	289
771-9995/216-601	254	774-9973/206-805	293	774-9993/017-501	292	774-9993/206-601	289
771-9995/216-602	254	774-9973/216-105	294	774-9993/017-502	292	774-9993/206-602	289
771-9995/216-701	254	774-9973/216-205	294	774-9993/017-601	292	774-9993/206-701	289
771-9995/216-702	254	774-9973/216-305	294	774-9993/017-602	292	774-9993/206-702	289
771-9995/216-801	254	774-9973/216-405	294	774-9993/017-701	292	774-9993/206-801	289
		774-9973/216-505	294	774-9993/017-702	292		

Item No.	Page	Item No.	Page	Item No.	Page	Item No.	Page
<b>774 Series</b>		<b>774 Series</b>		<b>831 Series</b>		<b>890 Series</b>	
774-9993/206-802	289	774-9994/016-101	300	831-3105/1019-004	285	890-273/073-000	56
774-9993/207-101	291	774-9994/016-102	300	831-3105/1019-050	285	890-274	78
774-9993/207-102	291	774-9994/016-201	300	831-3205/1020-004	285	890-274/071-000	78
774-9993/207-201	291	774-9994/016-202	300	831-3205/1020-050	285	890-274/072-000	78
774-9993/207-202	291	774-9994/016-301	300			890-274/073-000	78
774-9993/207-301	291	774-9994/016-302	300	<b>890 Series</b>		890-275	101
774-9993/207-302	291	774-9994/016-401	300	890-101	31	890-275/073-000	101
774-9993/207-401	291	774-9994/016-402	300	890-102	32	890-282	33
774-9993/207-402	291	774-9994/016-501	300	890-103	55	890-282/080-000	33
774-9993/207-501	291	774-9994/016-502	300	890-104	77	890-282/082-000	33
774-9993/207-502	291	774-9994/016-601	300	890-105	99	890-283	56
774-9993/207-601	291	774-9994/016-602	300	890-111	31	890-283/081-000	56
774-9993/207-602	291	774-9994/016-701	300	890-112	32	890-283/082-000	56
774-9993/207-701	291	774-9994/016-702	300	890-113	55	890-284	78
774-9993/207-702	291	774-9994/016-801	300	890-114	77	890-284/081-000	78
774-9993/207-801	291	774-9994/016-802	300	890-115	99	890-285	100
774-9993/207-802	291	774-9994/106-101	299	890-121	31	890-285/080-000	100
774-9993/216-101	290	774-9994/106-102	299	890-122	32	890-285/082-000	100
774-9993/216-102	290	774-9994/106-201	299	890-123	55	890-292	33
774-9993/216-201	290	774-9994/106-202	299	890-124	77	890-292/080-000	33
774-9993/216-202	290	774-9994/106-301	299	890-125	99	890-292/082-000	33
774-9993/216-301	290	774-9994/106-302	299	890-131	31	890-293	56
774-9993/216-302	290	774-9994/106-401	299	890-132	32	890-293/081-000	56
774-9993/216-401	290	774-9994/106-402	299	890-133	55	890-293/082-000	56
774-9993/216-402	290	774-9994/106-501	299	890-134	77	890-294	78
774-9993/216-501	290	774-9994/106-502	299	890-135	99	890-294/081-000	78
774-9993/216-502	290	774-9994/106-601	299	890-202	33	890-295	101
774-9993/216-601	290	774-9994/106-602	299	890-202/342-000	31	890-295/080-000	101
774-9993/216-602	290	774-9994/106-701	299	890-203	56	890-295/082-000	101
774-9993/216-701	290	774-9994/106-702	299	890-204	78	890-302	393
774-9993/216-702	290	774-9994/106-801	299	890-205	100	890-303	393
774-9993/216-801	290	774-9994/106-802	299	890-212	33	890-304	393
774-9993/216-802	290	774-9994/116-101	300	890-212/342-000	31	890-305	393
774-9993/217-101	292	774-9994/116-102	300	890-213	56	890-310	31
774-9993/217-102	292	774-9994/116-201	300	890-214	78	890-311	31
774-9993/217-201	292	774-9994/116-202	300	890-215	101	890-382	31
774-9993/217-202	292	774-9994/116-301	300	890-222	33	890-383	55
774-9993/217-301	292	774-9994/116-302	300	890-223	56	890-384	77
774-9993/217-302	292	774-9994/116-401	300	890-224	78	890-385	99
774-9993/217-401	292	774-9994/116-402	300	890-225	100	890-502	33
774-9993/217-402	292	774-9994/116-501	300	890-232	33	890-502/342-000	33
774-9993/217-501	292	774-9994/116-502	300	890-233	56	890-503	56
774-9993/217-502	292	774-9994/116-601	300	890-234	78	890-504	78
774-9993/217-601	292	774-9994/116-602	300	890-235	101	890-505	100
774-9993/217-602	292	774-9994/116-701	300	890-242	33	890-512	33
774-9993/217-701	292	774-9994/116-702	300	890-242/060-000	33	890-512/342-000	33
774-9993/217-702	292	774-9994/116-801	300	890-243	56	890-513	56
774-9993/217-801	292	774-9994/116-802	300	890-243/060-000	56	890-514	78
774-9993/217-802	292	774-9994/206-101	299	890-243/062-000	56	890-515	100
774-9993/1507-101	291	774-9994/206-102	299	890-244	78	890-523	375
774-9993/1507-201	291	774-9994/206-201	299	890-244/060-000	78	890-524	375
774-9993/1507-301	291	774-9994/206-202	299	890-244/062-000	78	890-525	375
774-9993/1507-401	291	774-9994/206-301	299	890-244/064-000	78	890-526	375
774-9993/1507-501	291	774-9994/206-302	299	890-245	100	890-527	375
774-9993/1507-601	291	774-9994/206-401	299	890-245/060-000	100	890-601	376
774-9993/1507-701	291	774-9994/206-402	299	890-245/062-000	100	890-603	65
774-9993/1507-801	291	774-9994/206-501	299	890-252	33	890-604	87
774-9993/1517-101	292	774-9994/206-502	299	890-252/060-000	33	890-605	109
774-9993/1517-201	292	774-9994/206-601	299	890-253	56	890-606	66
774-9993/1517-301	292	774-9994/206-602	299	890-253/060-000	56	890-615	66
774-9993/1517-401	292	774-9994/206-701	299	890-253/062-000	56	890-617	110
774-9993/1517-501	292	774-9994/206-702	299	890-254	78	890-619	109
774-9993/1517-601	292	774-9994/206-801	299	890-254/060-000	78	890-620	110
774-9993/1517-701	292	774-9994/206-802	299	890-254/062-000	78	890-621	110
774-9993/1517-801	292	774-9994/216-101	300	890-254/064-000	78	890-622	110
774-9994/006-101	299	774-9994/216-102	300	890-255	101	890-623	67
774-9994/006-102	299	774-9994/216-201	300	890-255/060-000	101	890-624	89
774-9994/006-201	299	774-9994/216-202	300	890-255/062-000	101	890-625	111
774-9994/006-202	299	774-9994/216-301	300	890-262	33	890-626	88
774-9994/006-301	299	774-9994/216-302	300	890-263	56	890-627	88
774-9994/006-302	299	774-9994/216-401	300	890-263/071-000	56	890-634	67
774-9994/006-401	299	774-9994/216-402	300	890-263/073-000	56	890-636	67
774-9994/006-402	299	774-9994/216-501	300	890-264	78	890-642	35
774-9994/006-501	299	774-9994/216-502	300	890-264/071-000	78	890-643	59
774-9994/006-502	299	774-9994/216-601	300	890-264/072-000	78	890-644	81
774-9994/006-601	299	774-9994/216-602	300	890-264/073-000	78	890-653	65
774-9994/006-602	299	774-9994/216-701	300	890-265	100	890-654	87
774-9994/006-701	299	774-9994/216-702	300	890-265/073-000	100	890-655	109
774-9994/006-702	299	774-9994/216-801	300	890-272	33	890-656	66
774-9994/006-801	299	774-9994/216-802	300	890-273	56	890-665	66
774-9994/006-802	299			890-273/071-000	56	890-671	110



# Item Number Index

Item No.	Page	Item No.	Page	Item No.	Page	Item No.	Page
<b>890 Series</b>		<b>890 Series</b>		<b>890 Series</b>		<b>891 Series</b>	
890-672	110	890-785/082-000	103	890-884/011-000	84	891-8982/006-102	51
890-673	67	890-792	35	890-885	105	891-8982/006-201	51
890-674	89	890-792/080-000	35	890-885/011-000	106	891-8982/006-202	51
890-675	111	890-792/082-000	35	890-892	37	891-8982/006-301	51
890-676	88	890-793	59	890-892/011-000	38	891-8982/006-302	51
890-677	88	890-793/081-000	59	890-893	61	891-8982/006-401	51
890-684	67	890-793/082-000	59	890-893/011-000	62	891-8982/006-402	51
890-686	67	890-794	81	890-894	83	891-8982/006-501	51
890-692	35	890-794/081-000	81	890-894/011-000	84	891-8982/006-502	51
890-693	59	890-795	103	890-895	105	891-8982/006-601	51
890-694	81	890-795/080-000	103	890-895/011-000	106	891-8982/006-602	51
890-702	35	890-795/082-000	103	890-929	111	891-8982/006-701	51
890-703	59	890-802	37	890-930	111	891-8982/006-702	51
890-704	81	890-802/011-000	38	890-944	89	891-8982/006-801	51
890-705	103	890-803	61	890-945	89	891-8982/006-802	51
890-712	35	890-803/011-000	62	890-979	111	891-8982/016-101	52
890-713	59	890-804	83	890-980	111	891-8982/016-102	52
890-714	81	890-804/011-000	84	890-982	111	891-8982/016-201	52
890-715	103	890-805	105	890-983	111	891-8982/016-202	52
890-722	35	890-805/011-000	106	890-994	89	891-8982/016-301	52
890-723	59	890-812	37	890-995	89	891-8982/016-302	52
890-724	81	890-812/011-000	38	890-1102	33	891-8982/016-401	52
890-725	103	890-813	61	890-1105	100	891-8982/016-402	52
890-732	35	890-813/011-000	62	890-1112	33	891-8982/016-501	52
890-733	59	890-814	83	890-1115	101	891-8982/016-502	52
890-734	81	890-814/011-000	84	890-1601	41	891-8982/016-601	52
890-735	103	890-815	105	890-1602	41	891-8982/016-602	52
890-742	35	890-815/011-000	106	890-1603	41	891-8982/016-701	52
890-742/060-000	35	890-822	37	890-1606	41	891-8982/016-702	52
890-743	59	890-822/011-000	38	890-1615	41	891-8982/016-801	52
890-743/060-000	59	890-823	61	890-1617	41	891-8982/016-802	52
890-743/062-000	59	890-823/011-000	62	890-1620	41	891-8982/106-101	51
890-744	81	890-824	83	890-1622	42	891-8982/106-102	51
890-744/060-000	81	890-824/011-000	84	890-1631	88	891-8982/106-201	51
890-744/062-000	81	890-825	105	890-1632	88	891-8982/106-202	51
890-744/064-000	81	890-825/011-000	106	890-1633	88	891-8982/106-301	51
890-745	103	890-832	37	890-1634	42	891-8982/106-302	51
890-745/060-000	103	890-832/011-000	38	890-1636	42	891-8982/106-401	51
890-745/062-000	103	890-833	61	890-1656	41	891-8982/106-402	51
890-752	35	890-833/011-000	62	890-1661	67	891-8982/106-501	51
890-752/060-000	35	890-834	83	890-1662	67	891-8982/106-502	51
890-753	59	890-834/011-000	84	890-1663	67	891-8982/106-601	51
890-753/060-000	59	890-835	105	890-1665	41	891-8982/106-602	51
890-753/062-000	59	890-835/011-000	106	890-1672	42	891-8982/106-701	51
890-754	81	890-842	37	890-1681	89	891-8982/106-702	51
890-754/060-000	81	890-842/011-000	38	890-1682	89	891-8982/106-801	51
890-754/062-000	81	890-843	61	890-1683	89	891-8982/106-802	51
890-754/064-000	81	890-843/011-000	62	890-1684	42	891-8982/116-101	52
890-755	103	890-844	83	890-1686	42	891-8982/116-102	52
890-755/060-000	103	890-844/011-000	84	890-1701	41	891-8982/116-201	52
890-755/062-000	103	890-845	105	890-1702	41	891-8982/116-202	52
890-762	35	890-845/011-000	106	890-1703	41	891-8982/116-301	52
890-763	59	890-852	37	890-1731	88	891-8982/116-302	52
890-763/071-000	59	890-852/011-000	38	890-1732	88	891-8982/116-401	52
890-763/073-000	59	890-853	61	890-1733	88	891-8982/116-402	52
890-764	81	890-853/011-000	62	890-1734	90	891-8982/116-501	52
890-764/071-000	81	890-854	83	890-1735	90	891-8982/116-502	52
890-764/072-000	81	890-854/011-000	84	890-1736	90	891-8982/116-601	52
890-764/073-000	81	890-855	105	890-1761	67	891-8982/116-602	52
890-765	103	890-855/011-000	106	890-1762	67	891-8982/116-701	52
890-765/073-000	103	890-862	37	890-1763	67	891-8982/116-702	52
890-772	35	890-862/011-000	38	890-1781	89	891-8982/116-801	52
890-773	59	890-863	61	890-1782	89	891-8982/116-802	52
890-773/071-000	59	890-863/011-000	62	890-1783	89	891-8982/206-101	51
890-773/073-000	59	890-864	83	890-1904	43	891-8982/206-102	51
890-774	81	890-864/011-000	84	890-1907	43	891-8982/206-201	51
890-774/071-000	81	890-865	105	890-2102	35	891-8982/206-202	51
890-774/072-000	81	890-865/011-000	106	890-2105	103	891-8982/206-301	51
890-774/073-000	81	890-872	37	890-2112	35	891-8982/206-302	51
890-775	103	890-872/011-000	38	890-2115	103	891-8982/206-401	51
890-775/073-000	103	890-873	61	890-3102	37	891-8982/206-402	51
890-782	35	890-873/011-000	62	890-3102/011-000	38	891-8982/206-501	51
890-782/080-000	35	890-874	83	890-3105	105	891-8982/206-502	51
890-782/082-000	35	890-874/011-000	84	890-3105/011-000	106	891-8982/206-601	51
890-783	59	890-875	105	890-3112	37	891-8982/206-602	51
890-783/081-000	59	890-875/011-000	106	890-3112/011-000	38	891-8982/206-701	51
890-783/082-000	59	890-882	37	890-3115	105	891-8982/206-702	51
890-784	81	890-882/011-000	38	890-3115/011-000	106	891-8982/206-801	51
890-784/081-000	81	890-883	61	<b>891 Series</b>		891-8982/206-802	51
890-785	103	890-883/011-000	62	891-8982/006-101	51	891-8982/216-101	52
890-785/080-000	103	890-884	83			891-8982/216-102	52

Item No.	Page	Item No.	Page	Item No.	Page	Item No.	Page
<b>891 Series</b>		<b>891 Series</b>		<b>891 Series</b>		<b>891 Series</b>	
891-8982/216-201	52	891-8985/206-202	117	891-8992/006-303	50	891-8992/105-502	45
891-8982/216-202	52	891-8985/206-301	117	891-8992/006-305	50	891-8992/105-503	49
891-8982/216-301	52	891-8985/206-302	117	891-8992/006-307	50	891-8992/105-505	49
891-8982/216-302	52	891-8985/206-401	117	891-8992/006-401	47	891-8992/105-507	49
891-8982/216-401	52	891-8985/206-402	117	891-8992/006-402	47	891-8992/105-601	45
891-8982/216-402	52	891-8985/206-501	117	891-8992/006-403	50	891-8992/105-602	45
891-8982/216-501	52	891-8985/206-502	117	891-8992/006-405	50	891-8992/105-603	49
891-8982/216-502	52	891-8985/206-601	117	891-8992/006-407	50	891-8992/105-605	49
891-8982/216-601	52	891-8985/206-602	117	891-8992/006-501	47	891-8992/105-607	49
891-8982/216-602	52	891-8985/206-701	117	891-8992/006-502	47	891-8992/105-701	45
891-8982/216-701	52	891-8985/206-702	117	891-8992/006-503	50	891-8992/105-702	45
891-8982/216-702	52	891-8985/206-801	117	891-8992/006-505	50	891-8992/105-703	49
891-8982/216-801	52	891-8985/206-802	117	891-8992/006-507	50	891-8992/105-705	49
891-8982/216-802	52	891-8985/216-101	118	891-8992/006-601	47	891-8992/105-707	49
891-8985/006-101	117	891-8985/216-102	118	891-8992/006-602	47	891-8992/105-801	45
891-8985/006-102	117	891-8985/216-201	118	891-8992/006-603	50	891-8992/105-802	45
891-8985/006-201	117	891-8985/216-202	118	891-8992/006-605	50	891-8992/105-803	49
891-8985/006-202	117	891-8985/216-301	118	891-8992/006-607	50	891-8992/105-805	49
891-8985/006-301	117	891-8985/216-302	118	891-8992/006-701	47	891-8992/105-807	49
891-8985/006-302	117	891-8985/216-401	118	891-8992/006-702	47	891-8992/106-101	47
891-8985/006-401	117	891-8985/216-402	118	891-8992/006-703	50	891-8992/106-102	47
891-8985/006-402	117	891-8985/216-501	118	891-8992/006-705	50	891-8992/106-103	50
891-8985/006-501	117	891-8985/216-502	118	891-8992/006-707	50	891-8992/106-105	50
891-8985/006-502	117	891-8985/216-601	118	891-8992/006-801	47	891-8992/106-107	50
891-8985/006-601	117	891-8985/216-602	118	891-8992/006-802	47	891-8992/106-201	47
891-8985/006-602	117	891-8985/216-701	118	891-8992/006-803	50	891-8992/106-202	47
891-8985/006-701	117	891-8985/216-702	118	891-8992/006-805	50	891-8992/106-203	50
891-8985/006-702	117	891-8985/216-801	118	891-8992/006-807	50	891-8992/106-205	50
891-8985/006-801	117	891-8985/216-802	118	891-8992/015-101	46	891-8992/106-207	50
891-8985/006-802	117	891-8992/005-101	45	891-8992/015-102	46	891-8992/106-301	47
891-8985/016-101	118	891-8992/005-102	45	891-8992/015-201	46	891-8992/106-302	47
891-8985/016-102	118	891-8992/005-103	49	891-8992/015-202	46	891-8992/106-303	50
891-8985/016-201	118	891-8992/005-105	49	891-8992/015-301	46	891-8992/106-305	50
891-8985/016-202	118	891-8992/005-107	49	891-8992/015-302	46	891-8992/106-307	50
891-8985/016-301	118	891-8992/005-201	45	891-8992/015-401	46	891-8992/106-401	47
891-8985/016-302	118	891-8992/005-202	45	891-8992/015-402	46	891-8992/106-402	47
891-8985/016-401	118	891-8992/005-203	49	891-8992/015-501	46	891-8992/106-403	50
891-8985/016-402	118	891-8992/005-205	49	891-8992/015-502	46	891-8992/106-405	50
891-8985/016-501	118	891-8992/005-207	49	891-8992/015-601	46	891-8992/106-407	50
891-8985/016-502	118	891-8992/005-301	45	891-8992/015-602	46	891-8992/106-501	47
891-8985/016-601	118	891-8992/005-302	45	891-8992/015-701	46	891-8992/106-502	47
891-8985/016-602	118	891-8992/005-303	49	891-8992/015-702	46	891-8992/106-503	50
891-8985/016-701	118	891-8992/005-305	49	891-8992/015-801	46	891-8992/106-505	50
891-8985/016-702	118	891-8992/005-307	49	891-8992/015-802	46	891-8992/106-507	50
891-8985/016-801	118	891-8992/005-401	45	891-8992/016-101	48	891-8992/106-601	47
891-8985/016-802	118	891-8992/005-402	45	891-8992/016-102	48	891-8992/106-602	47
891-8985/106-101	117	891-8992/005-403	49	891-8992/016-201	48	891-8992/106-603	50
891-8985/106-102	117	891-8992/005-405	49	891-8992/016-202	48	891-8992/106-605	50
891-8985/106-201	117	891-8992/005-407	49	891-8992/016-301	48	891-8992/106-607	50
891-8985/106-202	117	891-8992/005-501	45	891-8992/016-302	48	891-8992/106-701	47
891-8985/106-301	117	891-8992/005-502	45	891-8992/016-401	48	891-8992/106-702	47
891-8985/106-302	117	891-8992/005-503	49	891-8992/016-402	48	891-8992/106-703	50
891-8985/106-401	117	891-8992/005-505	49	891-8992/016-501	48	891-8992/106-705	50
891-8985/106-402	117	891-8992/005-507	49	891-8992/016-502	48	891-8992/106-707	50
891-8985/106-501	117	891-8992/005-601	45	891-8992/016-601	48	891-8992/106-801	47
891-8985/106-502	117	891-8992/005-602	45	891-8992/016-602	48	891-8992/106-802	47
891-8985/106-601	117	891-8992/005-603	49	891-8992/016-701	48	891-8992/106-803	50
891-8985/106-602	117	891-8992/005-605	49	891-8992/016-702	48	891-8992/106-805	50
891-8985/106-701	117	891-8992/005-607	49	891-8992/016-801	48	891-8992/106-807	50
891-8985/106-702	117	891-8992/005-701	45	891-8992/016-802	48	891-8992/115-101	46
891-8985/106-801	117	891-8992/005-702	45	891-8992/105-101	45	891-8992/115-102	46
891-8985/106-802	117	891-8992/005-703	49	891-8992/105-102	45	891-8992/115-201	46
891-8985/116-101	118	891-8992/005-705	49	891-8992/105-103	49	891-8992/115-202	46
891-8985/116-102	118	891-8992/005-707	49	891-8992/105-105	49	891-8992/115-301	46
891-8985/116-201	118	891-8992/005-801	45	891-8992/105-107	49	891-8992/115-302	46
891-8985/116-202	118	891-8992/005-802	45	891-8992/105-201	45	891-8992/115-401	46
891-8985/116-301	118	891-8992/005-803	49	891-8992/105-202	45	891-8992/115-402	46
891-8985/116-302	118	891-8992/005-805	49	891-8992/105-203	49	891-8992/115-501	46
891-8985/116-401	118	891-8992/005-807	49	891-8992/105-205	49	891-8992/115-502	46
891-8985/116-402	118	891-8992/006-101	47	891-8992/105-207	49	891-8992/115-601	46
891-8985/116-501	118	891-8992/006-102	47	891-8992/105-301	45	891-8992/115-602	46
891-8985/116-502	118	891-8992/006-103	50	891-8992/105-302	45	891-8992/115-701	46
891-8985/116-601	118	891-8992/006-105	50	891-8992/105-303	49	891-8992/115-702	46
891-8985/116-602	118	891-8992/006-107	50	891-8992/105-305	49	891-8992/115-801	46
891-8985/116-701	118	891-8992/006-201	47	891-8992/105-307	49	891-8992/115-802	46
891-8985/116-702	118	891-8992/006-202	47	891-8992/105-401	45	891-8992/116-101	48
891-8985/116-801	118	891-8992/006-203	50	891-8992/105-402	45	891-8992/116-102	48
891-8985/116-802	118	891-8992/006-205	50	891-8992/105-403	49	891-8992/116-201	48
891-8985/206-101	117	891-8992/006-207	50	891-8992/105-405	49	891-8992/116-202	48
891-8985/206-102	117	891-8992/006-301	47	891-8992/105-407	49	891-8992/116-301	48
891-8985/206-201	117	891-8992/006-302	47	891-8992/105-501	45	891-8992/116-302	48



Item No.	Page	Item No.	Page	Item No.	Page	Item No.	Page
<b>891 Series</b>		<b>891 Series</b>		<b>891 Series</b>		<b>891 Series</b>	
891-8993/115-601	70	891-8993/206-407	74	891-8994/006-107	96	891-8994/106-201	93
891-8993/115-602	70	891-8993/206-501	71	891-8994/006-201	93	891-8994/106-202	93
891-8993/115-701	70	891-8993/206-502	71	891-8994/006-202	93	891-8994/106-203	96
891-8993/115-702	70	891-8993/206-503	74	891-8994/006-203	96	891-8994/106-205	96
891-8993/115-801	70	891-8993/206-505	74	891-8994/006-205	96	891-8994/106-207	96
891-8993/115-802	70	891-8993/206-507	74	891-8994/006-207	96	891-8994/106-301	93
891-8993/116-101	72	891-8993/206-601	71	891-8994/006-301	93	891-8994/106-302	93
891-8993/116-102	72	891-8993/206-602	71	891-8994/006-302	93	891-8994/106-303	96
891-8993/116-201	72	891-8993/206-603	74	891-8994/006-303	96	891-8994/106-305	96
891-8993/116-202	72	891-8993/206-605	74	891-8994/006-305	96	891-8994/106-307	96
891-8993/116-301	72	891-8993/206-607	74	891-8994/006-307	96	891-8994/106-401	93
891-8993/116-302	72	891-8993/206-701	71	891-8994/006-401	93	891-8994/106-402	93
891-8993/116-401	72	891-8993/206-702	71	891-8994/006-402	93	891-8994/106-403	96
891-8993/116-402	72	891-8993/206-703	74	891-8994/006-403	96	891-8994/106-405	96
891-8993/116-501	72	891-8993/206-705	74	891-8994/006-405	96	891-8994/106-407	96
891-8993/116-502	72	891-8993/206-707	74	891-8994/006-407	96	891-8994/106-501	93
891-8993/116-601	72	891-8993/206-801	71	891-8994/006-501	93	891-8994/106-502	93
891-8993/116-602	72	891-8993/206-802	71	891-8994/006-502	93	891-8994/106-503	96
891-8993/116-701	72	891-8993/206-803	74	891-8994/006-503	96	891-8994/106-505	96
891-8993/116-702	72	891-8993/206-805	74	891-8994/006-505	96	891-8994/106-507	96
891-8993/116-801	72	891-8993/206-807	74	891-8994/006-507	96	891-8994/106-601	93
891-8993/116-802	72	891-8993/215-101	70	891-8994/006-601	93	891-8994/106-602	93
891-8993/205-101	69	891-8993/215-102	70	891-8994/006-602	93	891-8994/106-603	96
891-8993/205-102	69	891-8993/215-201	70	891-8994/006-603	96	891-8994/106-605	96
891-8993/205-103	73	891-8993/215-202	70	891-8994/006-605	96	891-8994/106-607	96
891-8993/205-105	73	891-8993/215-301	70	891-8994/006-607	96	891-8994/106-701	93
891-8993/205-107	73	891-8993/215-302	70	891-8994/006-701	93	891-8994/106-702	93
891-8993/205-201	69	891-8993/215-401	70	891-8994/006-702	93	891-8994/106-703	96
891-8993/205-202	69	891-8993/215-402	70	891-8994/006-703	96	891-8994/106-705	96
891-8993/205-203	73	891-8993/215-501	70	891-8994/006-705	96	891-8994/106-707	96
891-8993/205-205	73	891-8993/215-502	70	891-8994/006-707	96	891-8994/106-801	93
891-8993/205-207	73	891-8993/215-601	70	891-8994/006-801	93	891-8994/106-802	93
891-8993/205-301	69	891-8993/215-602	70	891-8994/006-802	93	891-8994/106-803	96
891-8993/205-302	69	891-8993/215-701	70	891-8994/006-803	96	891-8994/106-805	96
891-8993/205-303	73	891-8993/215-702	70	891-8994/006-805	96	891-8994/106-807	96
891-8993/205-305	73	891-8993/215-801	70	891-8994/006-807	96	891-8994/116-101	94
891-8993/205-307	73	891-8993/215-802	70	891-8994/016-101	94	891-8994/116-102	94
891-8993/205-401	69	891-8993/216-101	72	891-8994/016-102	94	891-8994/116-201	94
891-8993/205-402	69	891-8993/216-102	72	891-8994/016-201	94	891-8994/116-202	94
891-8993/205-403	73	891-8993/216-201	72	891-8994/016-202	94	891-8994/116-301	94
891-8993/205-405	73	891-8993/216-202	72	891-8994/016-301	94	891-8994/116-302	94
891-8993/205-407	73	891-8993/216-301	72	891-8994/016-302	94	891-8994/116-401	94
891-8993/205-501	69	891-8993/216-302	72	891-8994/016-401	94	891-8994/116-402	94
891-8993/205-502	69	891-8993/216-401	72	891-8994/016-402	94	891-8994/116-501	94
891-8993/205-503	73	891-8993/216-402	72	891-8994/016-501	94	891-8994/116-502	94
891-8993/205-505	73	891-8993/216-501	72	891-8994/016-502	94	891-8994/116-601	94
891-8993/205-507	73	891-8993/216-502	72	891-8994/016-601	94	891-8994/116-602	94
891-8993/205-601	69	891-8993/216-601	72	891-8994/016-602	94	891-8994/116-701	94
891-8993/205-602	69	891-8993/216-602	72	891-8994/016-701	94	891-8994/116-702	94
891-8993/205-603	73	891-8993/216-701	72	891-8994/016-702	94	891-8994/116-801	94
891-8993/205-605	73	891-8993/216-702	72	891-8994/016-801	94	891-8994/116-802	94
891-8993/205-607	73	891-8993/216-801	72	891-8994/016-802	94	891-8994/205-103	95
891-8993/205-701	69	891-8993/216-802	72	891-8994/105-103	95	891-8994/205-105	95
891-8993/205-702	69	891-8994/005-103	95	891-8994/105-105	95	891-8994/205-107	95
891-8993/205-703	73	891-8994/005-105	95	891-8994/105-107	95	891-8994/205-203	95
891-8993/205-705	73	891-8994/005-107	95	891-8994/105-203	95	891-8994/205-205	95
891-8993/205-707	73	891-8994/005-203	95	891-8994/105-205	95	891-8994/205-207	95
891-8993/205-801	69	891-8994/005-205	95	891-8994/105-207	95	891-8994/205-303	95
891-8993/205-802	69	891-8994/005-207	95	891-8994/105-303	95	891-8994/205-305	95
891-8993/205-803	73	891-8994/005-303	95	891-8994/105-305	95	891-8994/205-307	95
891-8993/205-805	73	891-8994/005-305	95	891-8994/105-307	95	891-8994/205-403	95
891-8993/205-807	73	891-8994/005-307	95	891-8994/105-403	95	891-8994/205-405	95
891-8993/206-101	71	891-8994/005-403	95	891-8994/105-405	95	891-8994/205-407	95
891-8993/206-102	71	891-8994/005-405	95	891-8994/105-407	95	891-8994/205-503	95
891-8993/206-103	74	891-8994/005-407	95	891-8994/105-503	95	891-8994/205-505	95
891-8993/206-105	74	891-8994/005-503	95	891-8994/105-505	95	891-8994/205-507	95
891-8993/206-107	74	891-8994/005-505	95	891-8994/105-507	95	891-8994/205-603	95
891-8993/206-201	71	891-8994/005-507	95	891-8994/105-603	95	891-8994/205-605	95
891-8993/206-202	71	891-8994/005-603	95	891-8994/105-605	95	891-8994/205-607	95
891-8993/206-203	74	891-8994/005-605	95	891-8994/105-607	95	891-8994/205-703	95
891-8993/206-205	74	891-8994/005-607	95	891-8994/105-703	95	891-8994/205-705	95
891-8993/206-207	74	891-8994/005-703	95	891-8994/105-705	95	891-8994/205-707	95
891-8993/206-301	71	891-8994/005-705	95	891-8994/105-707	95	891-8994/205-803	95
891-8993/206-302	71	891-8994/005-707	95	891-8994/105-803	95	891-8994/205-805	95
891-8993/206-303	74	891-8994/005-803	95	891-8994/105-805	95	891-8994/205-807	95
891-8993/206-305	74	891-8994/005-805	95	891-8994/105-807	95	891-8994/206-101	93
891-8993/206-307	74	891-8994/005-807	95	891-8994/106-101	93	891-8994/206-102	93
891-8993/206-401	71	891-8994/006-101	93	891-8994/106-102	93	891-8994/206-103	96
891-8993/206-402	71	891-8994/006-102	93	891-8994/106-103	96	891-8994/206-105	96
891-8993/206-403	74	891-8994/006-103	96	891-8994/106-105	96	891-8994/206-107	96
891-8993/206-405	74	891-8994/006-105	96	891-8994/106-107	96	891-8994/206-201	93

# Item Number Index

Item No.	Page	Item No.	Page	Item No.	Page	Item No.	Page
<b>891 Series</b>		<b>891 Series</b>		<b>891 Series</b>		<b>891 Series</b>	
891-8994/206-202	93	891-8995/006-203	116	891-8995/106-205	116	891-8995/206-207	116
891-8994/206-203	96	891-8995/006-205	116	891-8995/106-207	116	891-8995/206-301	113
891-8994/206-205	96	891-8995/006-207	116	891-8995/106-301	113	891-8995/206-302	113
891-8994/206-207	96	891-8995/006-301	113	891-8995/106-302	113	891-8995/206-303	116
891-8994/206-301	93	891-8995/006-302	113	891-8995/106-303	116	891-8995/206-305	116
891-8994/206-302	93	891-8995/006-303	116	891-8995/106-305	116	891-8995/206-307	116
891-8994/206-303	96	891-8995/006-305	116	891-8995/106-307	116	891-8995/206-401	113
891-8994/206-305	96	891-8995/006-307	116	891-8995/106-401	113	891-8995/206-402	113
891-8994/206-307	96	891-8995/006-401	113	891-8995/106-402	113	891-8995/206-403	116
891-8994/206-401	93	891-8995/006-402	113	891-8995/106-403	116	891-8995/206-405	116
891-8994/206-402	93	891-8995/006-403	116	891-8995/106-405	116	891-8995/206-407	116
891-8994/206-403	96	891-8995/006-405	116	891-8995/106-407	116	891-8995/206-501	113
891-8994/206-405	96	891-8995/006-407	116	891-8995/106-501	113	891-8995/206-502	113
891-8994/206-407	96	891-8995/006-501	113	891-8995/106-502	113	891-8995/206-503	116
891-8994/206-501	93	891-8995/006-502	113	891-8995/106-503	116	891-8995/206-505	116
891-8994/206-502	93	891-8995/006-503	116	891-8995/106-505	116	891-8995/206-507	116
891-8994/206-503	96	891-8995/006-505	116	891-8995/106-507	116	891-8995/206-601	113
891-8994/206-505	96	891-8995/006-507	116	891-8995/106-601	113	891-8995/206-602	113
891-8994/206-507	96	891-8995/006-601	113	891-8995/106-602	113	891-8995/206-603	116
891-8994/206-601	93	891-8995/006-602	113	891-8995/106-603	116	891-8995/206-605	116
891-8994/206-602	93	891-8995/006-603	116	891-8995/106-605	116	891-8995/206-607	116
891-8994/206-603	96	891-8995/006-605	116	891-8995/106-607	116	891-8995/206-701	113
891-8994/206-605	96	891-8995/006-607	116	891-8995/106-701	113	891-8995/206-702	113
891-8994/206-607	96	891-8995/006-701	113	891-8995/106-702	113	891-8995/206-703	116
891-8994/206-701	93	891-8995/006-702	113	891-8995/106-703	116	891-8995/206-705	116
891-8994/206-702	93	891-8995/006-703	116	891-8995/106-705	116	891-8995/206-707	116
891-8994/206-703	96	891-8995/006-705	116	891-8995/106-707	116	891-8995/206-801	113
891-8994/206-705	96	891-8995/006-707	116	891-8995/106-801	113	891-8995/206-802	113
891-8994/206-707	96	891-8995/006-801	113	891-8995/106-802	113	891-8995/206-803	116
891-8994/206-801	93	891-8995/006-802	113	891-8995/106-803	116	891-8995/206-805	116
891-8994/206-802	93	891-8995/006-803	116	891-8995/106-805	116	891-8995/206-807	116
891-8994/206-803	96	891-8995/006-805	116	891-8995/106-807	116	891-8995/216-101	114
891-8994/206-805	96	891-8995/006-807	116	891-8995/116-101	114	891-8995/216-102	114
891-8994/206-807	96	891-8995/016-101	114	891-8995/116-102	114	891-8995/216-201	114
891-8994/216-101	94	891-8995/016-102	114	891-8995/116-201	114	891-8995/216-202	114
891-8994/216-102	94	891-8995/016-201	114	891-8995/116-202	114	891-8995/216-301	114
891-8994/216-201	94	891-8995/016-202	114	891-8995/116-301	114	891-8995/216-302	114
891-8994/216-202	94	891-8995/016-301	114	891-8995/116-302	114	891-8995/216-401	114
891-8994/216-301	94	891-8995/016-302	114	891-8995/116-401	114	891-8995/216-402	114
891-8994/216-302	94	891-8995/016-401	114	891-8995/116-402	114	891-8995/216-501	114
891-8994/216-401	94	891-8995/016-402	114	891-8995/116-501	114	891-8995/216-502	114
891-8994/216-402	94	891-8995/016-501	114	891-8995/116-502	114	891-8995/216-601	114
891-8994/216-501	94	891-8995/016-502	114	891-8995/116-601	114	891-8995/216-602	114
891-8994/216-502	94	891-8995/016-601	114	891-8995/116-602	114	891-8995/216-701	114
891-8994/216-601	94	891-8995/016-602	114	891-8995/116-701	114	891-8995/216-702	114
891-8994/216-602	94	891-8995/016-701	114	891-8995/116-702	114	891-8995/216-801	114
891-8994/216-701	94	891-8995/016-702	114	891-8995/116-801	114	891-8995/216-802	114
891-8994/216-702	94	891-8995/016-801	114	891-8995/116-802	114		
891-8994/216-801	94	891-8995/016-802	114	891-8995/205-103	115	<b>893 Series</b>	
891-8994/216-802	94	891-8995/105-103	115	891-8995/205-105	115	893-121	329
891-8995/005-103	115	891-8995/105-105	115	891-8995/205-107	115	893-122	330
891-8995/005-105	115	891-8995/105-107	115	891-8995/205-203	115	893-129	330
891-8995/005-107	115	891-8995/105-203	115	891-8995/205-205	115	893-261	325
891-8995/005-203	115	891-8995/105-205	115	891-8995/205-207	115	893-262	326
891-8995/005-205	115	891-8995/105-207	115	891-8995/205-303	115	893-269	326
891-8995/005-207	115	891-8995/105-303	115	891-8995/205-305	115	893-1002	307
891-8995/005-303	115	891-8995/105-305	115	891-8995/205-307	115	893-1012	307
891-8995/005-305	115	891-8995/105-307	115	891-8995/205-403	115	893-1022	307
891-8995/005-307	115	891-8995/105-403	115	891-8995/205-405	115	893-1032	307
891-8995/005-403	115	891-8995/105-405	115	891-8995/205-407	115	893-1606	311
891-8995/005-405	115	891-8995/105-407	115	891-8995/205-503	115	893-1656	311
891-8995/005-407	115	891-8995/105-503	115	891-8995/205-505	115	893-2002	309
891-8995/005-503	115	891-8995/105-505	115	891-8995/205-507	115	893-2012	309
891-8995/005-505	115	891-8995/105-507	115	891-8995/205-603	115	893-2022	309
891-8995/005-507	115	891-8995/105-603	115	891-8995/205-605	115	893-2032	309
891-8995/005-603	115	891-8995/105-605	115	891-8995/205-607	115		
891-8995/005-605	115	891-8995/105-607	115	891-8995/205-703	115	<b>894 Series</b>	
891-8995/005-607	115	891-8995/105-703	115	891-8995/205-705	115	894-8392/073-106	314
891-8995/005-703	115	891-8995/105-705	115	891-8995/205-707	115	894-8392/073-306	314
891-8995/005-705	115	891-8995/105-707	115	891-8995/205-803	115	894-8392/073-506	314
891-8995/005-707	115	891-8995/105-803	115	891-8995/205-805	115	894-8392/173-106	314
891-8995/005-803	115	891-8995/105-805	115	891-8995/205-807	115	894-8392/173-306	314
891-8995/005-805	115	891-8995/105-807	115	891-8995/206-101	113	894-8392/173-506	314
891-8995/005-807	115	891-8995/106-101	113	891-8995/206-102	113	894-8392/273-106	314
891-8995/006-101	113	891-8995/106-102	113	891-8995/206-103	116	894-8392/273-306	314
891-8995/006-102	113	891-8995/106-103	116	891-8995/206-105	116	894-8392/273-506	314
891-8995/006-103	116	891-8995/106-105	116	891-8995/206-107	116	894-8992/023-107	315
891-8995/006-105	116	891-8995/106-107	116	891-8995/206-201	113	894-8992/023-307	315
891-8995/006-107	116	891-8995/106-201	113	891-8995/206-202	113	894-8992/023-507	315
891-8995/006-201	113	891-8995/106-202	113	891-8995/206-203	116	894-8992/033-106	313
891-8995/006-202	113	891-8995/106-203	116	891-8995/206-205	116		



Item No.	Page	Item No.	Page	Item No.	Page	Item No.	Page
<b>894 Series</b>		<b>899 Series</b>					
894-8992/033-306	313	899-631/187-000	352				
894-8992/033-506	313	899-631/189-000	366				
894-8992/123-107	315	899-631/302-000	355				
894-8992/123-307	315	899-631/304-000	369				
894-8992/123-507	315	899-631/305-000	367				
894-8992/133-106	313	899-631/308-000	366				
894-8992/133-306	313	899-631/309-000	363				
894-8992/133-506	313	899-631/311-000	350				
894-8992/223-107	315	899-631/312-000	352				
894-8992/223-307	315	899-631/313-000	361				
894-8992/223-507	315	899-631/315-000	367				
894-8992/233-106	313	899-631/319-000	364				
894-8992/233-306	313	899-631/327-000	351				
894-8992/233-506	313	899-631/330-000	348				
		899-631/331-000	349				
<b>895 Series</b>		899-631/334-000	350				
895-1051	337	899-631/338-000	356				
895-1052	338	899-631/339-000	357				
895-1601	395	899-631/341-000	352				
895-1602	395	899-631/346-000	354				
895-1603	395	899-631/349-000	356				
895-1604	395	899-631/350-000	357				
895-1605	395	899-631/354-000	362				
895-1651	341	899-631/363-000	365				
895-1652	342	899-631/374-000	368				
		899-631/386-000	365				
		899-631/395-000	349				
		899-631/405-000	362				
<b>896 Series</b>		899-631/421-000	363				
896-231	333	899-631/442-000	366				
896-232	334	899-631/443-000	367				
896-233	335	899-631/444-000	365				
896-234	335	899-631/450-000	358				
		899-631/453-000	358				
<b>897 Series</b>		899-631/454-000	359				
897-120	397	899-631/455-000	361				
897-121	397	899-631/476-000	348				
897-122	397	899-631/477-000	351				
897-230	397	899-631/478-000	364				
897-231	398	899-632	370				
897-232	398	899-632/101-000	368				
897-250	397	899-632/102-000	369				
897-251	398	899-632/103-000	369				
897-252	398	899-632/138-000	368				
897-260	397	899-681	370				
897-261	399	899-681/100-000	353				
897-262	399	899-681/104-000	347				
897-453	398	899-681/105-000	355				
897-839	396	899-681/123-000	357				
897-859	396	899-681/129-000	363				
897-878	396	899-681/142-000	356				
897-900	397	899-681/144-000	355				
897-901	397	899-681/145-000	360				
897-931	403	899-681/146-000	362				
897-951	403	899-681/147-000	360				
897-952	403	899-681/450-000	360				
897-960	403	899-682	370				
897-971	403						
897-972	403						
897-1050	397						
897-1051	399						
897-1052	399						
897-1650	397						
897-1651	399						
897-1652	399						
897-2001	376						
897-2003	376						
897-2005	381						
<b>899 Series</b>							
899-631	370						
899-631/100-000	352						
899-631/104-000	347						
899-631/105-000	354						
899-631/123-000	369						
899-631/130-000	370						
899-631/140-000	348						
899-631/149-000	356						
899-631/180-000	364						
899-631/181-000	359						
899-631/186-000	353						

# WAGO Worldwide Companies and Representatives

**Algeria**  
Please contact WAGO France

**Argentina**  
Gusto S.A.  
Buenos Aires, 1709-CFD  
Córdoba, PBA  
Phone +54 33 4730 1100  
Fax +54 33 4731 7244  
wago@wago.com.ar

**Australia**  
GUSTO ITSP LLC  
21 Halsegreen  
0206, Yerraven  
NSW 1500  
wago@wago.com

**Australia**  
WAGO Pty Ltd.  
2-1 Chippendale Drive  
Crestmont Park, Victoria 3171  
Phone +61 3 9271 0900  
Fax +61 3 9271 0177  
wago@wago.com

**Austria**  
WAGO Kontakttechnik GmbH  
Gumpersberg 115 002  
Gumpersberg 21  
22nd Brunnerweg  
Phone +43 1 87631 00  
Fax +43 1 87631 76  
wago-at@wago.com

**Azerbaijan**  
A. J. J. LTD  
C/O V. Akhmedov  
Chalabertov 26, AZ1026  
Baku  
Phone +994 98 210 21 98  
Fax +994 12 480 63 94  
wago@azwago.com

**Bangladesh**  
Please contact WAGO India

**Belarus**  
Gusto Wago LLC  
Gomel'skiy, G. 30, Office 10  
22040 Gomel  
Phone +375 17 2182780  
Fax +375 17 2100108  
gusto@wago.by

**BELMEX Belarus Ltd.**  
11, Dzerzhinskaya St., office 1  
220080 Gomel  
Phone +375 17 9884078  
wago@belmex.by

**Bulgaria**  
WAGO Bulgaria  
Gomel'skiy 11  
2000 Zvezdara  
Phone +359 2 777 8000  
Fax +359 2 777 8000  
wago-bulg@wago.com

**Burkina Faso**  
BOITEK S.R.L.  
Zone Commerce Village  
Calle Imp-BOITEK, B. Ban Regard  
Ouagadougou  
Phone +226 271 008 27  
wago@boitek.bf

**Croatia & Montenegro**  
Please contact WAGO Bulgaria

**Czech**  
WAGO Elektro-Technik s.r.o.  
Pauzova 940, Letavsko-Blatná B  
Jedlík (Praha)  
Jedlík - 01  
CEP 25212-017  
Phone +420 310 282 7280  
wago@wago.com

**Czech**  
WAGO Kontakttechnik GmbH & Co. KG  
Gumpersberg 115 002  
Gumpersberg 21  
22nd Brunnerweg  
Phone +49 1 87631 00/10  
Fax +49 1 87631 76/6  
wago-cz@wago.com

**Czech**  
WAGO Kontakttechnik GmbH & Co. KG  
1000 Wetzlar, Court - Unit 1  
Wetzlar, CE 17 002  
Phone +49 366 2010 221  
wago-cz@wago.com

**Czech**  
Distribut Česká  
A. J. J. s.r.o. Vysoká 88/0  
Prácheňské náměstí  
Phone +420 2 740 0762  
Fax +420 2 740 0763  
wago@wago.cz

**Czech**  
WAGO Elektro-Technik Co. Ltd.  
1st. Class Hotel Road  
1st. Class Development Area  
Tianjin 301700  
Phone +86 22 8067 7008  
Fax +86 22 8061 7008  
wago-w@wago.com

**Czech**  
DILL (Czech)  
C/O. 48 5 8 91-88  
Prague  
Phone +52 1 621 80 08  
Fax +52 1 621 80 08  
wago@wago.com

**Czech**  
U.S.A. Corp.  
Phone 800 5  
57211 Miami  
Phone +305 61 276-700  
Fax +305 61 276-800  
wago@uswago.com

**DENMARK** d.a.s.  
Strød 10 b  
7400 Silkeborg  
Phone +45 1 8977 800  
Fax +45 1 8998 800  
wago@denwago.com

**Czech**  
WAGO Elektro-Technik s.r.o.  
Národní 11 3040  
140 08 Praha 12 - Mladá Boleslav  
Phone +420 251 080 140  
wago@wago.com  
wago-cz@wago.com

**Denmark**  
WAGO Danmark A/S  
Løvelø 17  
2600 Sønderborg  
Phone +45 44 357 777  
wago@wago.com

**Denmark**  
ELECTROMETEC CIA LTDA  
Avenida 1894-710y Acapulco  
Acapulco  
Phone +52 229 50 475  
Fax +52 229 51 242  
gusto@www.electrometec.com.mx

**Denmark**  
EM Engineering / Onco Sector Information  
Phone +45 33 721 48 08  
Fax +45 33 722 17 08  
www.wago@emeng.com

**Egypt**  
Egypco  
2nd floor 2 door d  
Pavilion 10  
New Cairo  
70112 Heliopolis  
Phone +20 2 81 778182  
Fax +20 2 81 7781  
wago@egypco.com

**Egypt**  
WAGO Egypt Oy  
Ain Helwan 12 B  
11870 Helwan  
Phone +20 2 7744 800  
Fax +20 2 7744 800  
wago@wago.com

**France**  
WAGO Contact SAS  
Paris Nord 2  
20 Rue des Charbonniers  
93000 - St. Denis sur Seine  
17 300-17 - ROUBIN CEDEX  
Phone +33 1 48 17 2000  
Fax +33 1 48 60 2000  
wago-fr@wago.com

**France**  
WAGO Kontakttechnik GmbH & Co. KG  
Gumpersberg 27  
34128 Wetzlar  
Phone +49 366 201 0  
Fax +49 366 201 100  
wago@wago.com

**France**  
WAGO Kontakttechnik GmbH & Co. KG  
Gumpersberg 1  
34128 Wetzlar  
Phone +49 366 201 0  
Fax +49 366 201 100  
wago@wago.com

**Great Britain**  
WAGO Limited  
The Park, South Valley Industrial Estate  
Barnet  
Hemel Hempstead, CN21 100  
Phone +44 1708 608 800  
Fax +44 1708 608 880  
wago@wago.com

**Germany**  
WAGO Kontakttechnik GmbH & Co. KG  
Gumpersberg 115 002  
Gumpersberg 21  
22nd Brunnerweg  
Phone +49 1 87631 00/10  
Fax +49 1 87631 76/6  
wago-de@wago.com

**Germany**  
WAGO Kontakttechnik GmbH & Co. KG  
Gumpersberg 115 002  
Gumpersberg 21  
22nd Brunnerweg  
Phone +49 1 87631 00/10  
Fax +49 1 87631 76/6  
wago-de@wago.com

**Germany**  
WAGO Kontakttechnik GmbH & Co. KG  
Gumpersberg 115 002  
Gumpersberg 21  
22nd Brunnerweg  
Phone +49 1 87631 00/10  
Fax +49 1 87631 76/6  
wago-de@wago.com

**Germany**  
WAGO Kontakttechnik GmbH & Co. KG  
Gumpersberg 115 002  
Gumpersberg 21  
22nd Brunnerweg  
Phone +49 1 87631 00/10  
Fax +49 1 87631 76/6  
wago-de@wago.com

**Germany**  
WAGO Kontakttechnik GmbH & Co. KG  
Gumpersberg 115 002  
Gumpersberg 21  
22nd Brunnerweg  
Phone +49 1 87631 00/10  
Fax +49 1 87631 76/6  
wago-de@wago.com

**Germany**  
WAGO Kontakttechnik GmbH & Co. KG  
Gumpersberg 115 002  
Gumpersberg 21  
22nd Brunnerweg  
Phone +49 1 87631 00/10  
Fax +49 1 87631 76/6  
wago-de@wago.com

**Germany**  
Please contact WAGO Singapore

**Germany**  
WAGO Kontakttechnik GmbH & Co. KG  
Gumpersberg 115 002  
Gumpersberg 21  
22nd Brunnerweg  
Phone +49 1 87631 00/10  
Fax +49 1 87631 76/6  
wago-de@wago.com

**Germany**  
WAGO Kontakttechnik GmbH & Co. KG  
Gumpersberg 115 002  
Gumpersberg 21  
22nd Brunnerweg  
Phone +49 1 87631 00/10  
Fax +49 1 87631 76/6  
wago-de@wago.com

**Germany**  
WAGO Kontakttechnik GmbH & Co. KG  
Gumpersberg 115 002  
Gumpersberg 21  
22nd Brunnerweg  
Phone +49 1 87631 00/10  
Fax +49 1 87631 76/6  
wago-de@wago.com

**Germany**  
WAGO Kontakttechnik GmbH & Co. KG  
Gumpersberg 115 002  
Gumpersberg 21  
22nd Brunnerweg  
Phone +49 1 87631 00/10  
Fax +49 1 87631 76/6  
wago-de@wago.com

**Germany**  
WAGO Kontakttechnik GmbH & Co. KG  
Gumpersberg 115 002  
Gumpersberg 21  
22nd Brunnerweg  
Phone +49 1 87631 00/10  
Fax +49 1 87631 76/6  
wago-de@wago.com

**Germany**  
WAGO Kontakttechnik GmbH & Co. KG  
Gumpersberg 115 002  
Gumpersberg 21  
22nd Brunnerweg  
Phone +49 1 87631 00/10  
Fax +49 1 87631 76/6  
wago-de@wago.com

**Germany**  
WAGO Kontakttechnik GmbH & Co. KG  
Gumpersberg 115 002  
Gumpersberg 21  
22nd Brunnerweg  
Phone +49 1 87631 00/10  
Fax +49 1 87631 76/6  
wago-de@wago.com

**Germany**  
WAGO Kontakttechnik GmbH & Co. KG  
Gumpersberg 115 002  
Gumpersberg 21  
22nd Brunnerweg  
Phone +49 1 87631 00/10  
Fax +49 1 87631 76/6  
wago-de@wago.com

**Germany**  
Please contact WAGO Bulgaria

**Germany**  
WAGO Kontakttechnik GmbH & Co. KG  
Gumpersberg 115 002  
Gumpersberg 21  
22nd Brunnerweg  
Phone +49 1 87631 00/10  
Fax +49 1 87631 76/6  
wago-de@wago.com

**Germany**  
WAGO Kontakttechnik GmbH & Co. KG  
Gumpersberg 115 002  
Gumpersberg 21  
22nd Brunnerweg  
Phone +49 1 87631 00/10  
Fax +49 1 87631 76/6  
wago-de@wago.com

**Germany**  
WAGO Kontakttechnik GmbH & Co. KG  
Gumpersberg 115 002  
Gumpersberg 21  
22nd Brunnerweg  
Phone +49 1 87631 00/10  
Fax +49 1 87631 76/6  
wago-de@wago.com

**Germany**  
Please contact WAGO Belgium

**Germany**  
WAGO Kontakttechnik GmbH & Co. KG  
Gumpersberg 115 002  
Gumpersberg 21  
22nd Brunnerweg  
Phone +49 1 87631 00/10  
Fax +49 1 87631 76/6  
wago-de@wago.com

**Mexico**  
**WAGO S.A. de C.V.**  
 Carretera Federal 451 Km. 24-808  
 Lote 80 Mexico 9  
 Parque Industrial Boscageo Irapuato  
 Queretaro  
 El Mariposa, Cpx. 73248  
 Phone +52 452 221 8098  
 Fax +52 452 221 8099  
 info.mw@wago.com

**Mexico**  
**Aplicaciones & Conexión México**  
 S. de RL de CV  
 Calle Nueva 3294  
 Coyoacán México  
 06700-Coyoacán  
 Phone +512 622 24 21 72/73  
 Fax +512 622 24 21 76  
 info-ag@wago.com

**Spain**  
 Please contact WAGO India

**Netherlands**  
**WAGO Nederland B.V.**  
 Linné van de Boven 25  
 7294 BW APELDOORN  
 Phone +31 65 26 58 890  
 Fax +31 65 26 58 880  
 info-nl@wago.com

**New Zealand**  
 Please contact WAGO Australia  
**Engineering Computer Services Ltd**  
 7-15 Havelock St  
 Hamilton, 3200  
 New Zealand  
 Phone +64 7 848 2211  
 Fax +64 7 848 2220  
 info@wago.com

**Norway**  
**WAGO Norge AS**  
 Julestasjon 20  
 7057 Dale  
 Phone +47 22 30 94 80  
 Fax +47 22 30 94 81  
 info-no@wago.com

**Oman**  
 Please contact WAGO Middle East  
**Pakistan**  
**Pack and Automation & Control**  
 808 No. 1-A, 8th Floor, Blue Avenue  
 Near Garden Town Lahore  
 Phone +92 42 89 4 1808 - 4  
 Fax +92 42 895 1431  
 info@packag.com

**Peru**  
**S.A. Herrick & Co.**  
 7 Brachyale Road  
 Lima 15080  
 Phone +51 1 42 578 600-08  
 Fax +51 1 42 578 610-04  
 info@wago.com

**Poland**  
**WAGO**  
 Al. Mieszana Lwów  
 31-000 Lwów  
 31-000 Lwów  
 Phone +38 62 76 74 634  
 info@wago.com.pl

**Philippines**  
 Please contact WAGO Singapore  
**Poland**  
**WAGO ELNIP Sp. z o.o.**  
 ul. Piłsudskiego 39  
 00-288 Warszawa  
 Phone +48 22 509 97 70  
 Fax +48 22 509 97 60  
 wago.eln@wago.com

**Portugal**  
**WAGO DO & CA, LDA - BEDE**  
 Avenida Entrepósito  
 Cascais/Parque 26450608  
 Avenida 1067  
 4150 Rio Tinto  
 Phone +351 22 877 6008  
 Fax +351 22 877 6088  
 info@wagoportugal.pt

**Russia**  
**WAGO - Gulf European Business**  
 Development - Company WLL  
 P.O. Box 28 890  
 Doha, Qatar  
 Phone +974 590 1 0932  
 info@wago.com

**Saudi Arabia**  
**WAGO Middle East**  
 Street Dalgas Bld.  
 Jeddah P.O. 98  
 2011 Chittani  
 Phone +973 5128 80 10 22 01  
 info@wago.com

**Switzerland**  
 Please contact WAGO Bulgaria

**Taiwan**  
**WAGO Taiwan**  
 Leiting Hsinchu LA-219  
 300, Zhongxing  
 Phone +886 2 621 12 08

**Thailand**  
**WAGO Thailand**  
 100 WAGO Contact Box  
 110/110/110/110 E. 110/2  
 10710 Bangkok  
 Phone +66 2 225 8747  
 info-th@wago.com  
 www.wago.th

**Turkey**  
**WAGO Turkey**  
 100 WAGO Contact Box  
 110/110/110/110 E. 110/2  
 10710 Bangkok  
 Phone +66 2 225 8747  
 info-th@wago.com  
 www.wago.th

**USA**  
**WAGO USA**  
 100 WAGO Contact Box  
 110/110/110/110 E. 110/2  
 10710 Bangkok  
 Phone +66 2 225 8747  
 info-th@wago.com  
 www.wago.th

**USA**  
**WAGO USA**  
 100 WAGO Contact Box  
 110/110/110/110 E. 110/2  
 10710 Bangkok  
 Phone +66 2 225 8747  
 info-th@wago.com  
 www.wago.th

**USA**  
**WAGO USA**  
 100 WAGO Contact Box  
 110/110/110/110 E. 110/2  
 10710 Bangkok  
 Phone +66 2 225 8747  
 info-th@wago.com  
 www.wago.th

**USA**  
**WAGO USA**  
 100 WAGO Contact Box  
 110/110/110/110 E. 110/2  
 10710 Bangkok  
 Phone +66 2 225 8747  
 info-th@wago.com  
 www.wago.th

**USA**  
**WAGO USA**  
 100 WAGO Contact Box  
 110/110/110/110 E. 110/2  
 10710 Bangkok  
 Phone +66 2 225 8747  
 info-th@wago.com  
 www.wago.th

**USA**  
**WAGO USA**  
 100 WAGO Contact Box  
 110/110/110/110 E. 110/2  
 10710 Bangkok  
 Phone +66 2 225 8747  
 info-th@wago.com  
 www.wago.th

**USA**  
**WAGO USA**  
 100 WAGO Contact Box  
 110/110/110/110 E. 110/2  
 10710 Bangkok  
 Phone +66 2 225 8747  
 info-th@wago.com  
 www.wago.th

**South Africa**  
**WAGO South Africa**  
 100 WAGO Contact Box  
 110/110/110/110 E. 110/2  
 10710 Bangkok  
 Phone +66 2 225 8747  
 info-th@wago.com  
 www.wago.th

**South Africa**  
**WAGO South Africa**  
 100 WAGO Contact Box  
 110/110/110/110 E. 110/2  
 10710 Bangkok  
 Phone +66 2 225 8747  
 info-th@wago.com  
 www.wago.th

**Spain**  
**WAGO Spain**  
 100 WAGO Contact Box  
 110/110/110/110 E. 110/2  
 10710 Bangkok  
 Phone +66 2 225 8747  
 info-th@wago.com  
 www.wago.th

**Spain**  
 Please contact WAGO India

**Sweden**  
**WAGO Sverige AB**  
 Box 17127, Box 17 BROMMA  
 Postadresser, Aselebjörns 31  
 Phone +46 8 637 0800  
 info-sw@wago.com

**Switzerland**  
**WAGO Switzerland**  
 100 WAGO Contact Box  
 110/110/110/110 E. 110/2  
 10710 Bangkok  
 Phone +66 2 225 8747  
 info-th@wago.com  
 www.wago.th

**Taiwan**  
**WAGO Taiwan**  
 100 WAGO Contact Box  
 110/110/110/110 E. 110/2  
 10710 Bangkok  
 Phone +66 2 225 8747  
 info-th@wago.com  
 www.wago.th

**Thailand**  
**WAGO Thailand**  
 100 WAGO Contact Box  
 110/110/110/110 E. 110/2  
 10710 Bangkok  
 Phone +66 2 225 8747  
 info-th@wago.com  
 www.wago.th

**Turkey**  
**WAGO Turkey**  
 100 WAGO Contact Box  
 110/110/110/110 E. 110/2  
 10710 Bangkok  
 Phone +66 2 225 8747  
 info-th@wago.com  
 www.wago.th

**USA**  
**WAGO USA**  
 100 WAGO Contact Box  
 110/110/110/110 E. 110/2  
 10710 Bangkok  
 Phone +66 2 225 8747  
 info-th@wago.com  
 www.wago.th

**USA**  
**WAGO USA**  
 100 WAGO Contact Box  
 110/110/110/110 E. 110/2  
 10710 Bangkok  
 Phone +66 2 225 8747  
 info-th@wago.com  
 www.wago.th

**USA**  
**WAGO USA**  
 100 WAGO Contact Box  
 110/110/110/110 E. 110/2  
 10710 Bangkok  
 Phone +66 2 225 8747  
 info-th@wago.com  
 www.wago.th

**USA**  
**WAGO USA**  
 100 WAGO Contact Box  
 110/110/110/110 E. 110/2  
 10710 Bangkok  
 Phone +66 2 225 8747  
 info-th@wago.com  
 www.wago.th

**USA**  
**WAGO USA**  
 100 WAGO Contact Box  
 110/110/110/110 E. 110/2  
 10710 Bangkok  
 Phone +66 2 225 8747  
 info-th@wago.com  
 www.wago.th

**USA**  
**WAGO USA**  
 100 WAGO Contact Box  
 110/110/110/110 E. 110/2  
 10710 Bangkok  
 Phone +66 2 225 8747  
 info-th@wago.com  
 www.wago.th

**USA**  
**WAGO USA**  
 100 WAGO Contact Box  
 110/110/110/110 E. 110/2  
 10710 Bangkok  
 Phone +66 2 225 8747  
 info-th@wago.com  
 www.wago.th

**USA**  
**WAGO USA**  
 100 WAGO Contact Box  
 110/110/110/110 E. 110/2  
 10710 Bangkok  
 Phone +66 2 225 8747  
 info-th@wago.com  
 www.wago.th

**USA**  
 Please contact WAGO India

**USA**  
**WAGO USA**  
 100 WAGO Contact Box  
 110/110/110/110 E. 110/2  
 10710 Bangkok  
 Phone +66 2 225 8747  
 info-th@wago.com  
 www.wago.th

**USA**  
**WAGO USA**  
 100 WAGO Contact Box  
 110/110/110/110 E. 110/2  
 10710 Bangkok  
 Phone +66 2 225 8747  
 info-th@wago.com  
 www.wago.th

**USA**  
**WAGO USA**  
 100 WAGO Contact Box  
 110/110/110/110 E. 110/2  
 10710 Bangkok  
 Phone +66 2 225 8747  
 info-th@wago.com  
 www.wago.th

**USA**  
**WAGO USA**  
 100 WAGO Contact Box  
 110/110/110/110 E. 110/2  
 10710 Bangkok  
 Phone +66 2 225 8747  
 info-th@wago.com  
 www.wago.th

**USA**  
**WAGO USA**  
 100 WAGO Contact Box  
 110/110/110/110 E. 110/2  
 10710 Bangkok  
 Phone +66 2 225 8747  
 info-th@wago.com  
 www.wago.th

**USA**  
**WAGO USA**  
 100 WAGO Contact Box  
 110/110/110/110 E. 110/2  
 10710 Bangkok  
 Phone +66 2 225 8747  
 info-th@wago.com  
 www.wago.th

**USA**  
**WAGO USA**  
 100 WAGO Contact Box  
 110/110/110/110 E. 110/2  
 10710 Bangkok  
 Phone +66 2 225 8747  
 info-th@wago.com  
 www.wago.th

**USA**  
**WAGO USA**  
 100 WAGO Contact Box  
 110/110/110/110 E. 110/2  
 10710 Bangkok  
 Phone +66 2 225 8747  
 info-th@wago.com  
 www.wago.th

**USA**  
**WAGO USA**  
 100 WAGO Contact Box  
 110/110/110/110 E. 110/2  
 10710 Bangkok  
 Phone +66 2 225 8747  
 info-th@wago.com  
 www.wago.th

**USA**  
**WAGO USA**  
 100 WAGO Contact Box  
 110/110/110/110 E. 110/2  
 10710 Bangkok  
 Phone +66 2 225 8747  
 info-th@wago.com  
 www.wago.th











**WAGO Kontakttechnik GmbH & Co. KG**  
Postfach 2880 · D · 32385 Minden  
Hansastraße 27 · D · 32423 Minden  
[info@wago.com](mailto:info@wago.com)  
[www.wago.com](http://www.wago.com)

Headquarters	+49 571 887 - 0
Sales	+49 571 887 - 44222
Order Service	+49 571 887 - 44333
Fax	+49 571 887 - 844169

**WAGO is a registered trademark of WAGO Verwaltungsgesellschaft mbH.**

"Copyright – WAGO Kontakttechnik GmbH & Co. KG – All rights reserved. The content and structure of the WAGO websites, catalogs, videos and other WAGO media are subject to copyright. Distribution or modification to the contents of these pages and videos is prohibited. Furthermore, the content may neither be copied nor made available to third parties for commercial purposes. Also subject to copyright are the images and videos that were made available to WAGO Kontakttechnik GmbH & Co. KG by third parties."